

US00D867329S

(12) **United States Design Patent**
Karayiannis et al.

(10) **Patent No.:** **US D867,329 S**

(45) **Date of Patent:** **** Nov. 19, 2019**

(54) **HEADPHONES**

(71) Applicant: **Harman International Industries, Incorporated**, Northridge, CA (US)

(72) Inventors: **Effrosini A. Karayiannis**, St. Louis, MO (US); **Daniel I. Radin**, Waterford, CT (US); **Ryan Ott**, North Hollywood, CA (US)

(73) Assignee: **Harman International Industries, Incorporated**, Northridge, CA (US)

(**) Term: **15 Years**

(21) Appl. No.: **29/641,944**

(22) Filed: **Mar. 26, 2018**

(51) **LOC (12) Cl.** **14-01**

(52) **U.S. Cl.**
USPC **D14/205**

(58) **Field of Classification Search**
USPC D14/205, 206, 250, 341; D29/112;
2/209; 181/129, 130, 135; 379/430, 431;
381/380, 381, 374; 455/90.3, 575.1,
455/569.1
CPC H04R 25/00; H04R 1/1016; H04R 1/1066;
H04R 5/033; H04R 5/0335; H04R 25/02
See application file for complete search history.

(56) **References Cited**

U.S. PATENT DOCUMENTS

1,569,398 A * 1/1926 Scher H04M 1/2155
381/338
3,119,904 A 1/1964 Anson
D238,184 S 12/1975 Ohtoma
D254,183 S 2/1980 Doodson
D286,632 S 11/1986 Teunis
D302,429 S 7/1989 Leer
5,113,428 A * 5/1992 Fitzgerald H04B 1/385
379/430
D328,461 S * 8/1992 Daido D14/205

D333,137 S 2/1993 Burke
5,185,807 A 2/1993 Bergin et al.
D345,981 S 4/1994 Burke
D357,918 S * 5/1995 Doria D14/218
D376,598 S 12/1996 Hayashi
D386,181 S 11/1997 Fisher
5,793,865 A 8/1998 Leifer
5,793,878 A 8/1998 Chang
D398,309 S 9/1998 Bergin et al.
D403,128 S * 12/1998 Scanlon D29/122
D405,786 S 2/1999 Leifer

(Continued)

FOREIGN PATENT DOCUMENTS

KR 300984566 * 12/2018

OTHER PUBLICATIONS

Design U.S. Appl. No. 29/622,793, filed Oct. 19, 2017.
Office Action dated Nov. 6, 2018 in Design U.S. Appl. No. 29/622,793.

Primary Examiner — Paula Allen Greene
(74) *Attorney, Agent, or Firm* — Plumsea Law Group, LLC

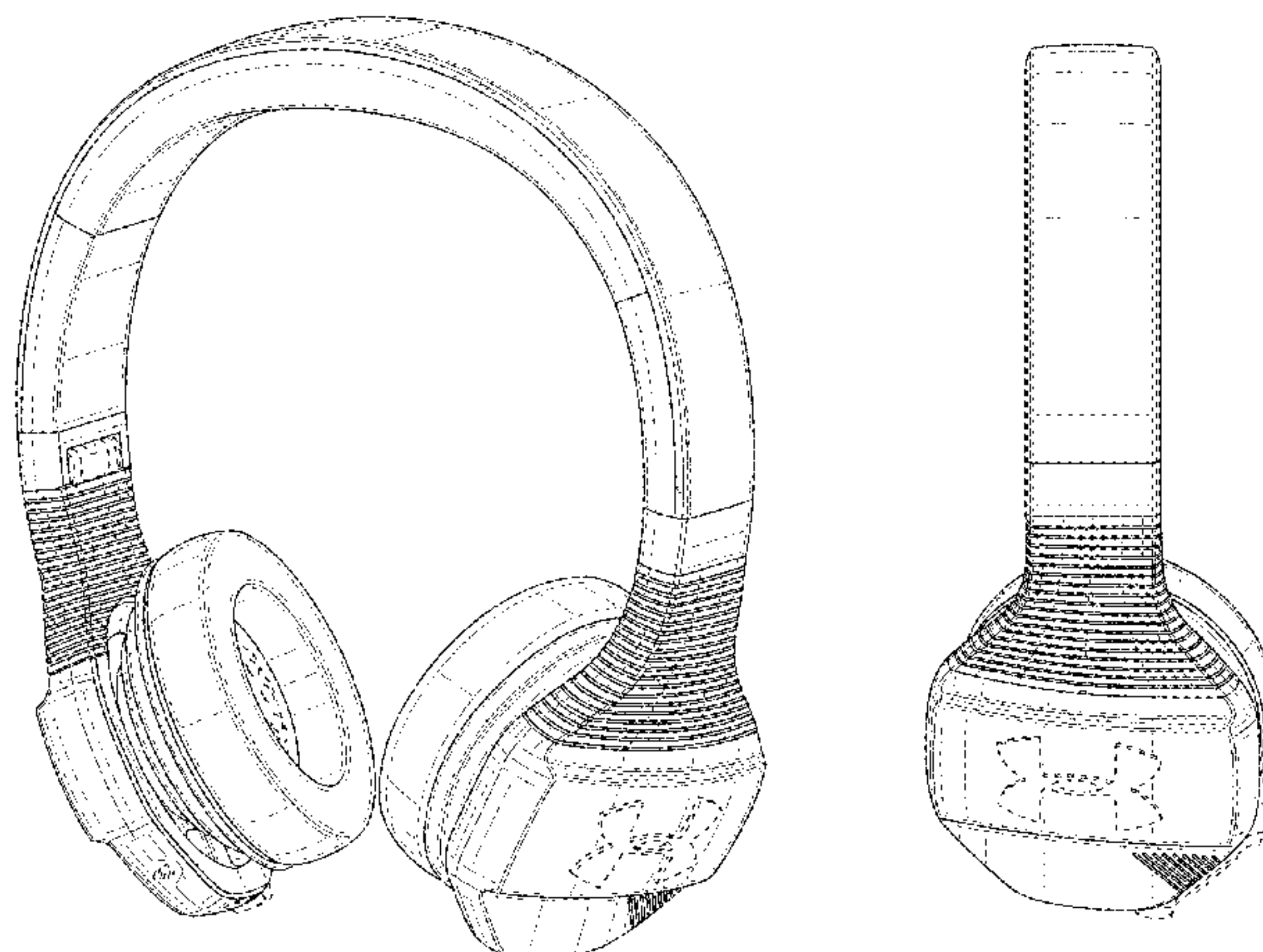
(57) **CLAIM**

The ornamental design for headphones, as shown and described.

DESCRIPTION

FIG. 1 is a perspective view of headphones showing the new design;
FIG. 2 is a front elevation view thereof;
FIG. 3 is a rear elevation view thereof;
FIG. 4 is a side elevation view of one side thereof;
FIG. 5 is a side elevation view of the opposite side thereof;
FIG. 6 is a top plan view thereof; and,
FIG. 7 is a bottom plan view thereof.
The broken line showings form no part of the claimed design.

1 Claim, 7 Drawing Sheets



(56)

References Cited

U.S. PATENT DOCUMENTS

6,496,589	B1	12/2002	Pham et al.	
6,499,146	B2 *	12/2002	Bavetta	A41D 13/05 2/209
D490,419	S *	5/2004	Shiue	D14/341
6,880,174	B2	4/2005	Prokop	
D576,604	S	9/2008	Suzuki	
D579,000	S	10/2008	Rath	
D585,872	S	2/2009	Lee	
D592,639	S	5/2009	Kuh et al.	
D634,732	S *	3/2011	Kondo	D14/205
D635,958	S	4/2011	Ando et al.	
D638,007	S *	5/2011	Chang	D14/250
D641,727	S	7/2011	Krauss et al.	
D658,630	S *	5/2012	Gondo	D14/205
D663,714	S *	7/2012	Kang	D14/205
D664,116	S	7/2012	Hutchieson	
D664,117	S	7/2012	Tappeiner et al.	
D678,856	S *	3/2013	Feng	D14/205
D678,857	S *	3/2013	Feng	D14/205
D678,858	S *	3/2013	Feng	D14/205
D686,592	S *	7/2013	Gondo	D14/205
D696,257	S *	12/2013	Ward	D14/440
D699,216	S	2/2014	Bonahoom et al.	
D716,783	S *	11/2014	Loncar	D14/250
D717,766	S *	11/2014	Mchatet	D14/205
D733,091	S	6/2015	Heinonen et al.	
D737,798	S *	9/2015	Yoshimura	D14/205
D769,842	S	10/2016	Rouffiat	
D772,842	S	11/2016	Sharp et al.	
D843,970	S *	3/2019	Ferren	D14/205
D852,165	S *	6/2019	Karayiannis	D14/205

* cited by examiner



FIG. 1



FIG. 2



FIG. 3

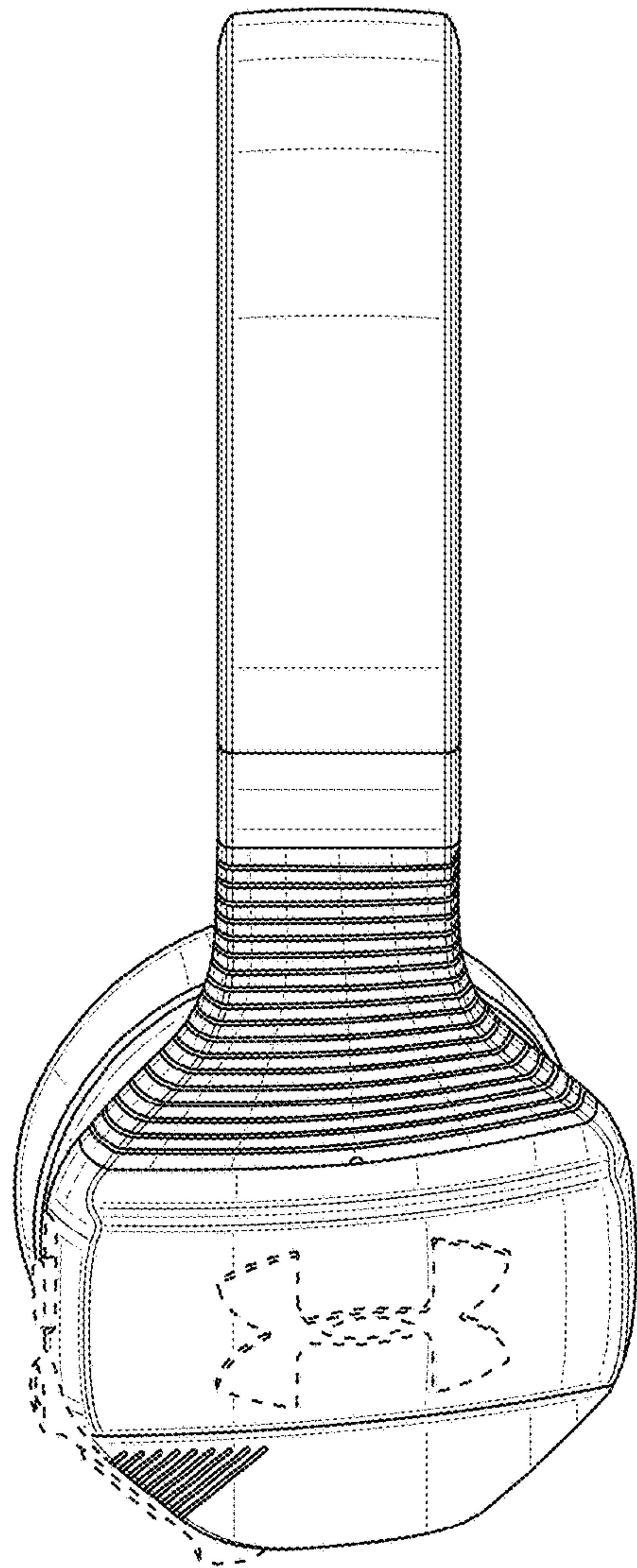


FIG. 4

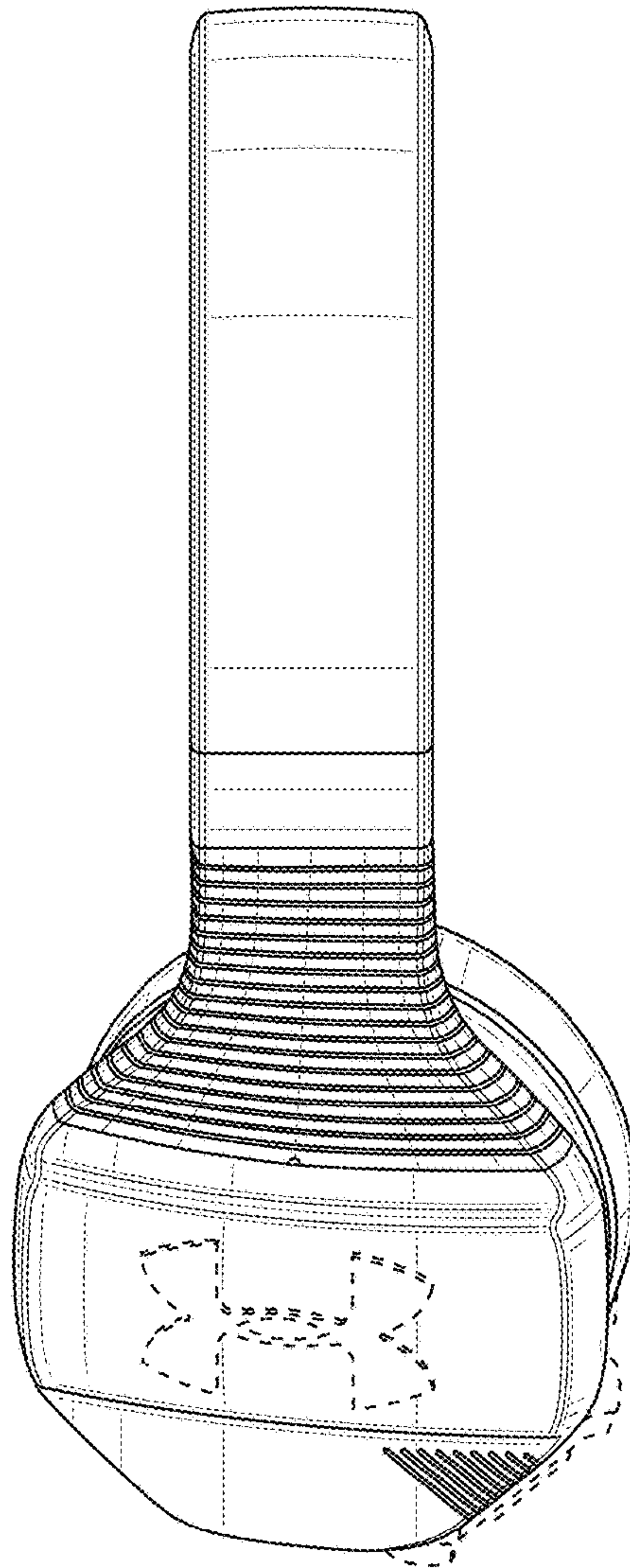


FIG. 5

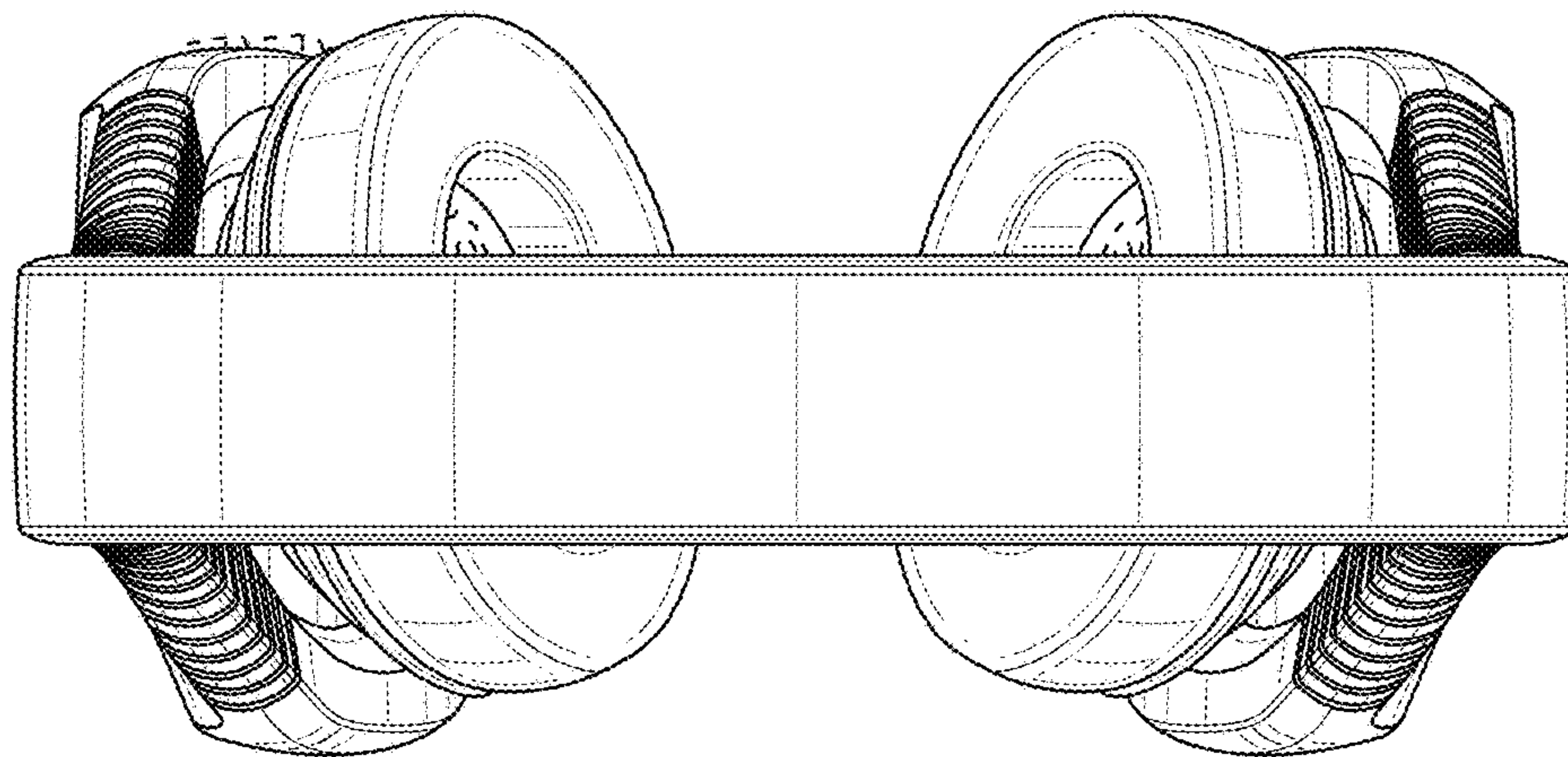


FIG. 6

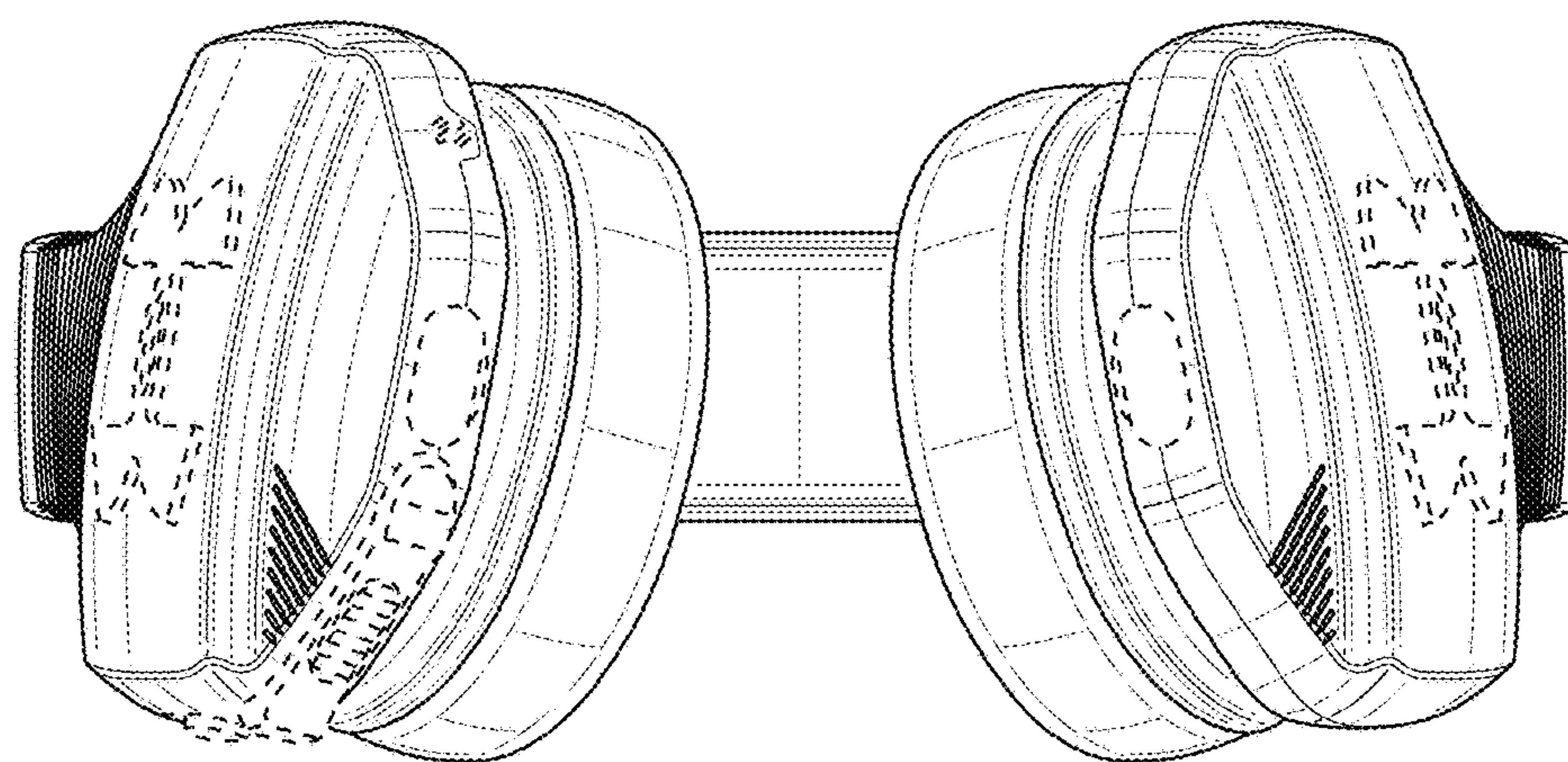


FIG. 7