



US00D867328S

(12) **United States Design Patent**  
**Bian**

(10) **Patent No.:** **US D867,328 S**

(45) **Date of Patent:** **\*\* Nov. 19, 2019**

(54) **HEADPHONE**

(71) Applicant: **Head-Direct (Kunshan) Company Limited, Kunshan (CN)**

(72) Inventor: **Fang Bian, Kunshan (CN)**

(73) Assignee: **Head-Direct (Kunshan) Company Limited, Kunshan (CN)**

(\*\*) Term: **15 Years**

(21) Appl. No.: **29/640,322**

(22) Filed: **Mar. 13, 2018**

(30) **Foreign Application Priority Data**

Sep. 15, 2017 (CN) ..... 2017 3 0462505

(51) **LOC (12) Cl.** ..... **14-01**

(52) **U.S. Cl.**  
USPC ..... **D14/205; D14/219**

(58) **Field of Classification Search**  
USPC ..... D14/205, 188, 192, 214, 219; 181/129, 181/130, 135; 379/430, 431; 381/380, 381/381, 374, 74; 455/90.3, 575.1, 569.1  
CPC .... H04R 25/00; H04R 1/1066; H04R 1/1016; H04R 5/033; H04R 5/0335; H04R 25/02; H04R 1/105; H04R 1/02; H04R 9/06; G04R 1/083

See application file for complete search history.

(56) **References Cited**

**U.S. PATENT DOCUMENTS**

1,080,953 A \* 12/1913 Catucci ..... H04R 7/14  
181/164  
2,957,308 A \* 10/1960 Long ..... F02C 7/04  
138/41  
3,512,088 A \* 5/1970 Samuel ..... H04R 1/1008  
181/18

D246,519 S \* 11/1977 Kato ..... D14/205  
D345,163 S \* 3/1994 Yamatogi ..... D14/205  
5,319,164 A \* 6/1994 Shen ..... H04R 1/025  
181/150  
5,574,795 A \* 11/1996 Seki ..... H04R 5/0335  
381/370  
D376,598 S \* 12/1996 Hayashi ..... D14/205  
D410,466 S \* 6/1999 Mouri ..... D14/205  
D420,356 S \* 2/2000 Suzuki ..... D14/205  
6,081,604 A \* 6/2000 Hikichi ..... H04R 1/083  
381/124  
D435,249 S \* 12/2000 Yasutomi ..... D14/205  
D467,580 S \* 12/2002 Mori ..... D14/223  
6,724,906 B2 \* 4/2004 Naksen ..... H04R 1/1066  
381/370  
D492,286 S \* 6/2004 Azumi ..... D14/219  
D567,215 S \* 4/2008 Lee ..... D14/205  
7,388,960 B2 \* 6/2008 Kuo ..... H04R 1/1041  
379/430  
D695,261 S \* 12/2013 Katsumata ..... D14/205  
D725,074 S \* 3/2015 Boeckel ..... D14/205  
D727,283 S \* 4/2015 Dryden ..... D14/205  
D728,512 S \* 5/2015 Nakagawa ..... D14/205

(Continued)

*Primary Examiner* — Paula Allen Greene

(74) *Attorney, Agent, or Firm* — BakerHostetler

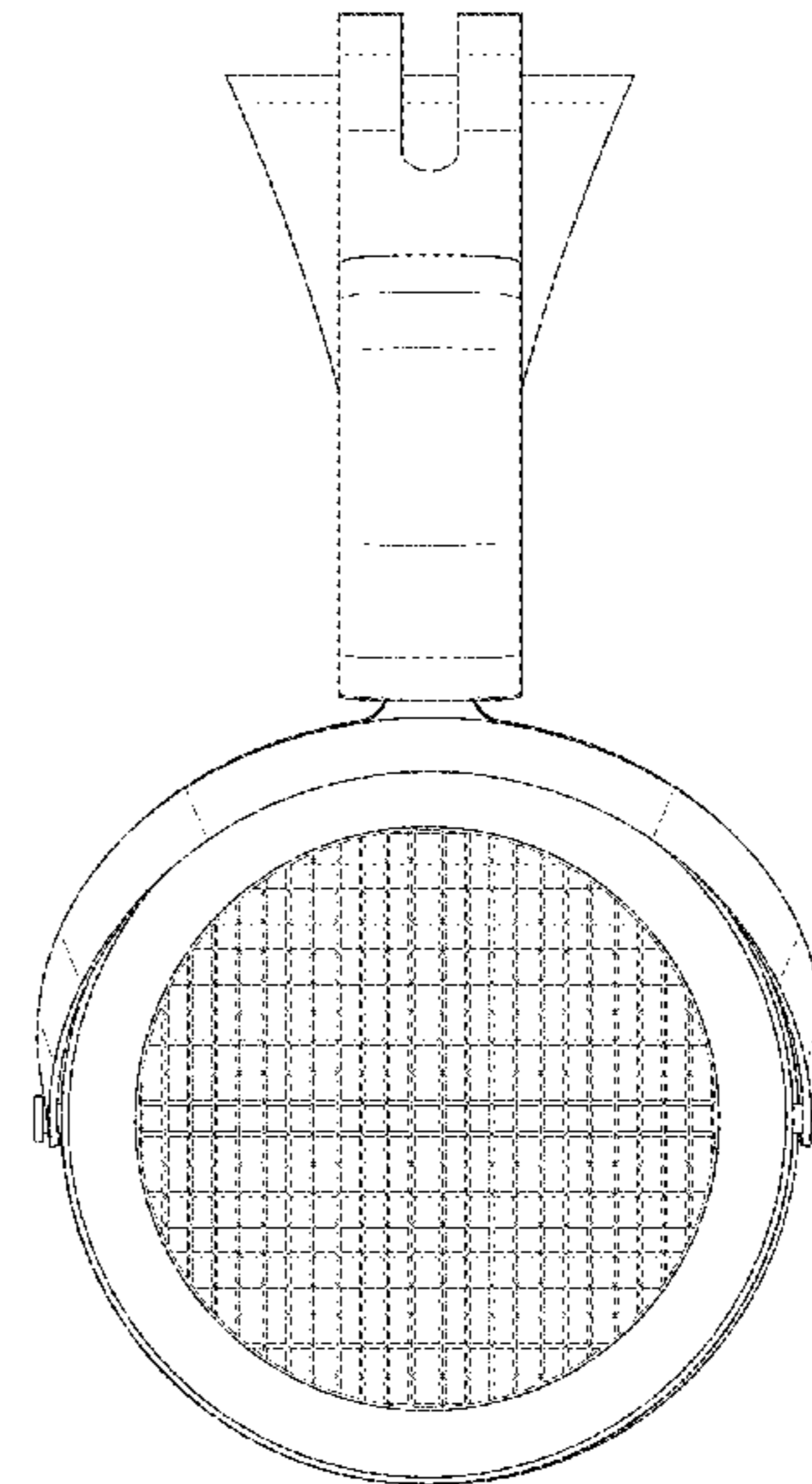
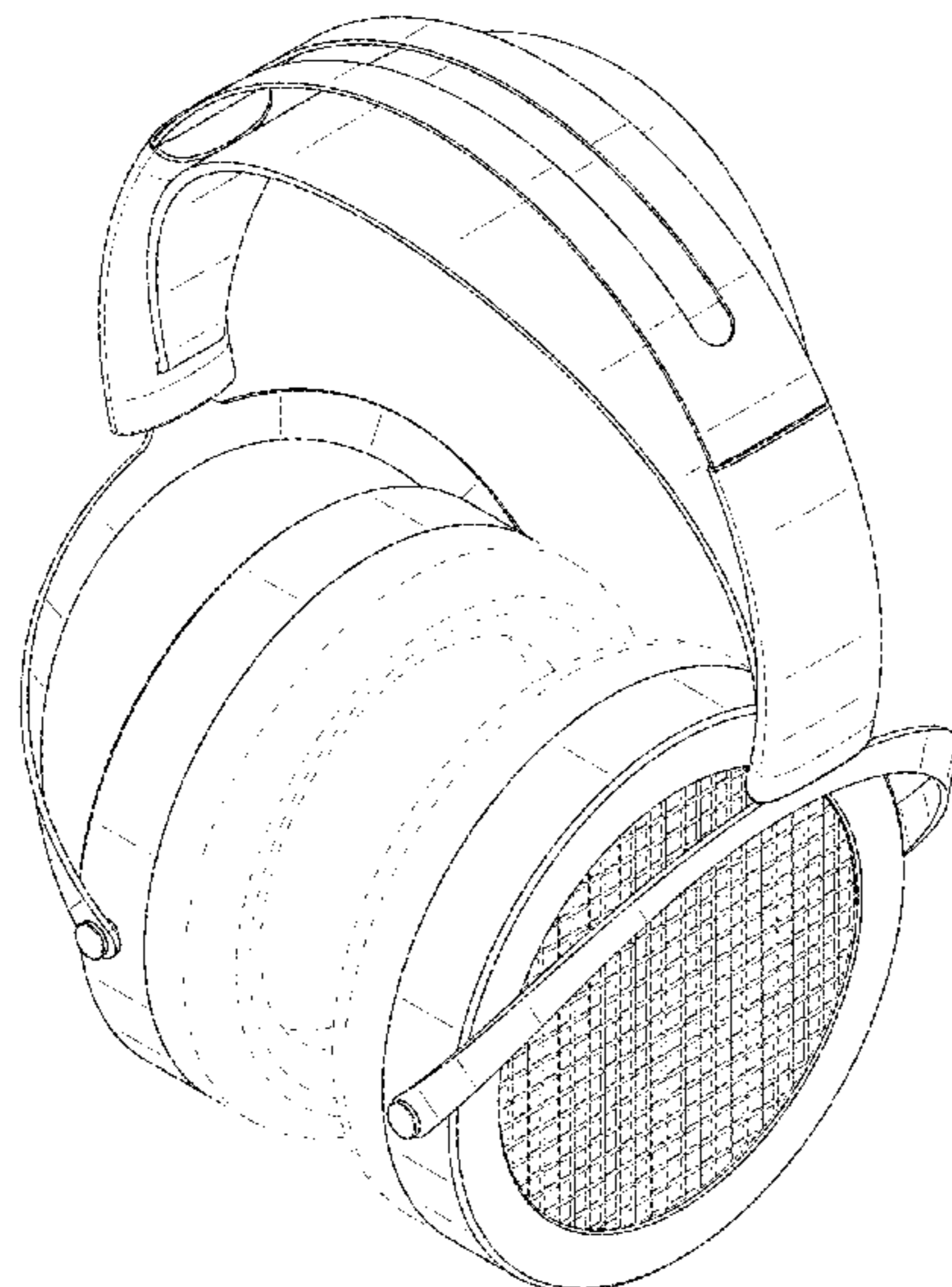
(57) **CLAIM**

I claim the ornamental design for a headphone, as shown and described.

**DESCRIPTION**

FIG. 1 is a perspective view of a headphone showing the design;  
FIG. 2 is a front view thereof;  
FIG. 3 is a rear view thereof;  
FIG. 4 is a top view thereof;  
FIG. 5 is a bottom view thereof; and,  
FIG. 6 is a right side view thereof.  
The broken lines depict environment that forms no part of the claimed design.

**1 Claim, 5 Drawing Sheets**



(56)

**References Cited**

U.S. PATENT DOCUMENTS

9,025,806 B2 *	5/2015	Krissman .....	H04R 1/1008 381/371
D736,174 S *	8/2015	Levine .....	D14/205
D746,790 S *	1/2016	Strasberg .....	D14/205
D746,791 S *	1/2016	Yuen .....	D14/205
D755,753 S *	5/2016	Nakagawa .....	D14/205
D765,055 S *	8/2016	Hsieh .....	D14/205
D766,870 S *	9/2016	Catalano .....	D14/205
D786,824 S *	5/2017	Hembrey .....	D14/205
D789,956 S *	6/2017	Ortega .....	D14/486
9,774,943 B1 *	9/2017	Weitzner .....	H04R 1/105
D841,615 S *	2/2019	Bian .....	D14/205
D841,616 S *	2/2019	Bian .....	D14/205
D852,168 S *	6/2019	Zhou .....	D14/205

\* cited by examiner

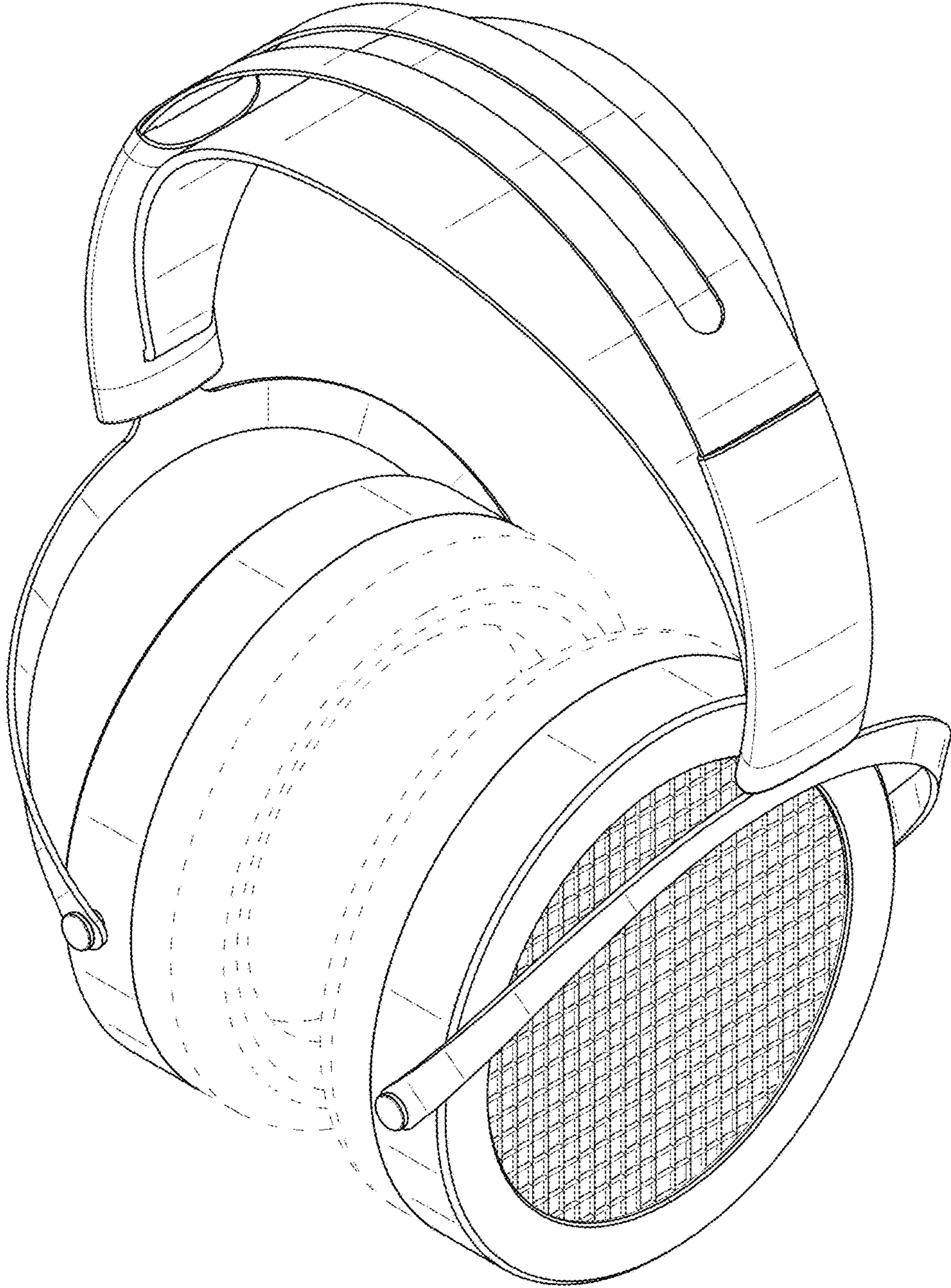


FIG. 1

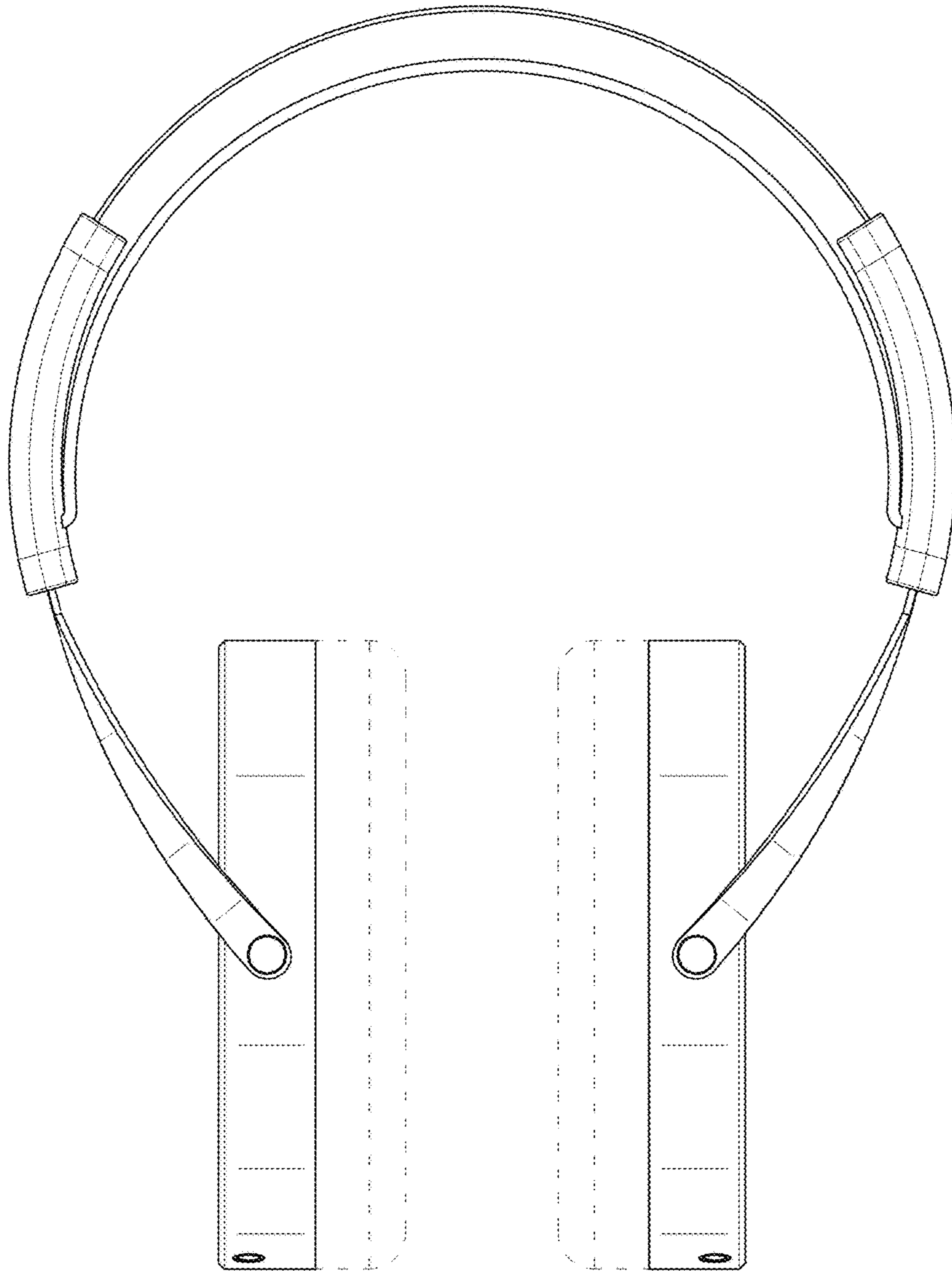


FIG. 2

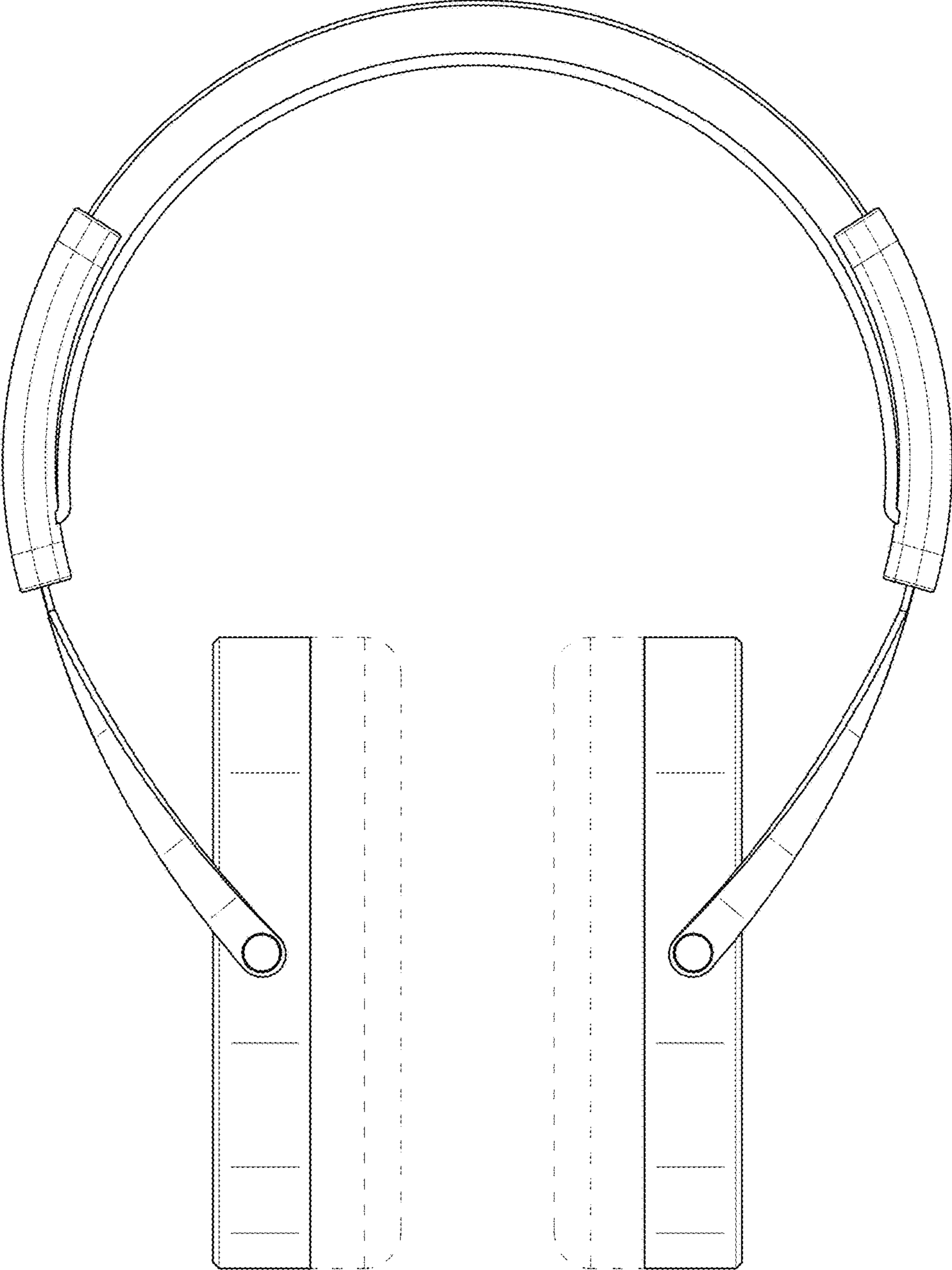


FIG. 3

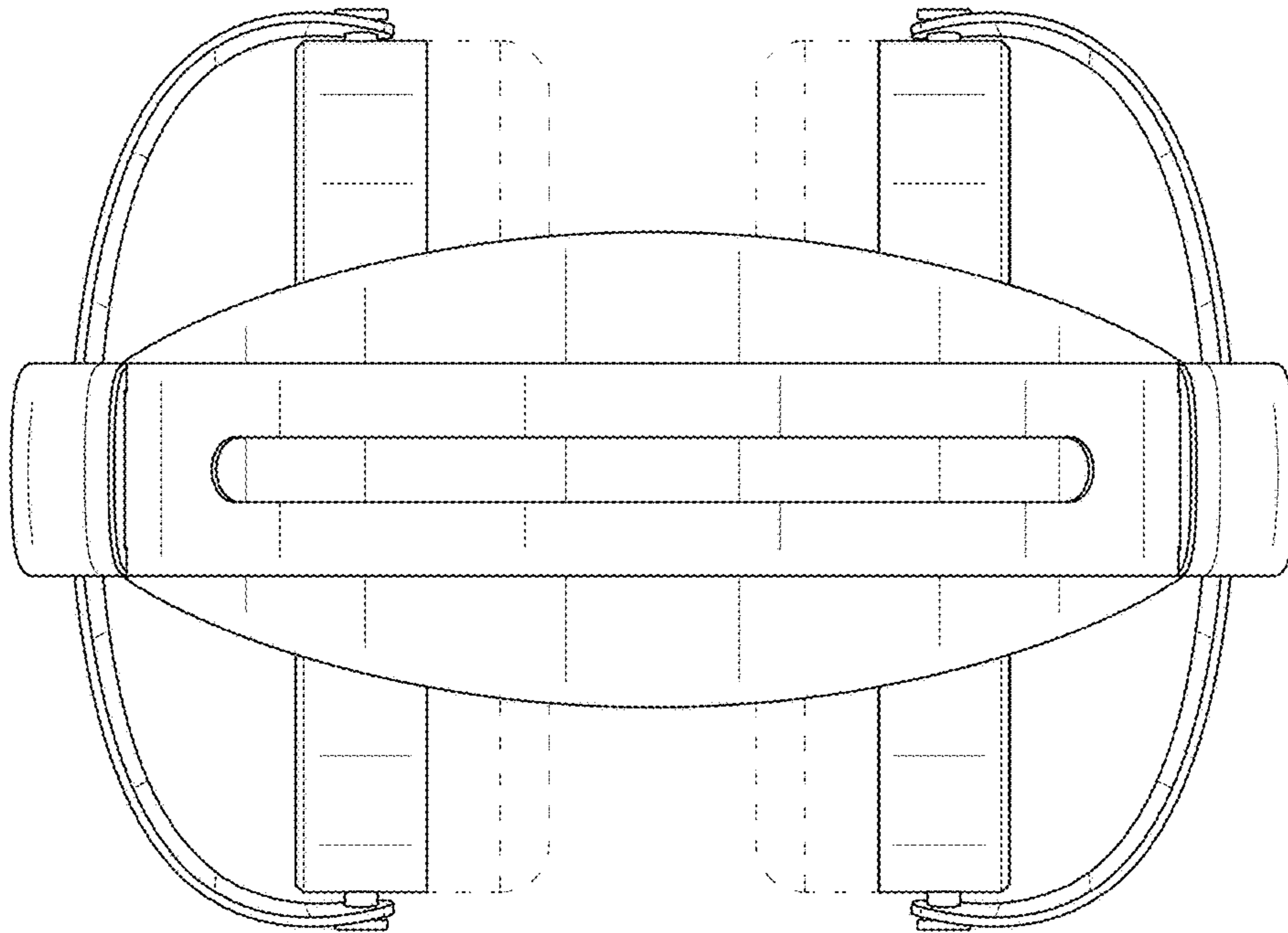


FIG. 4

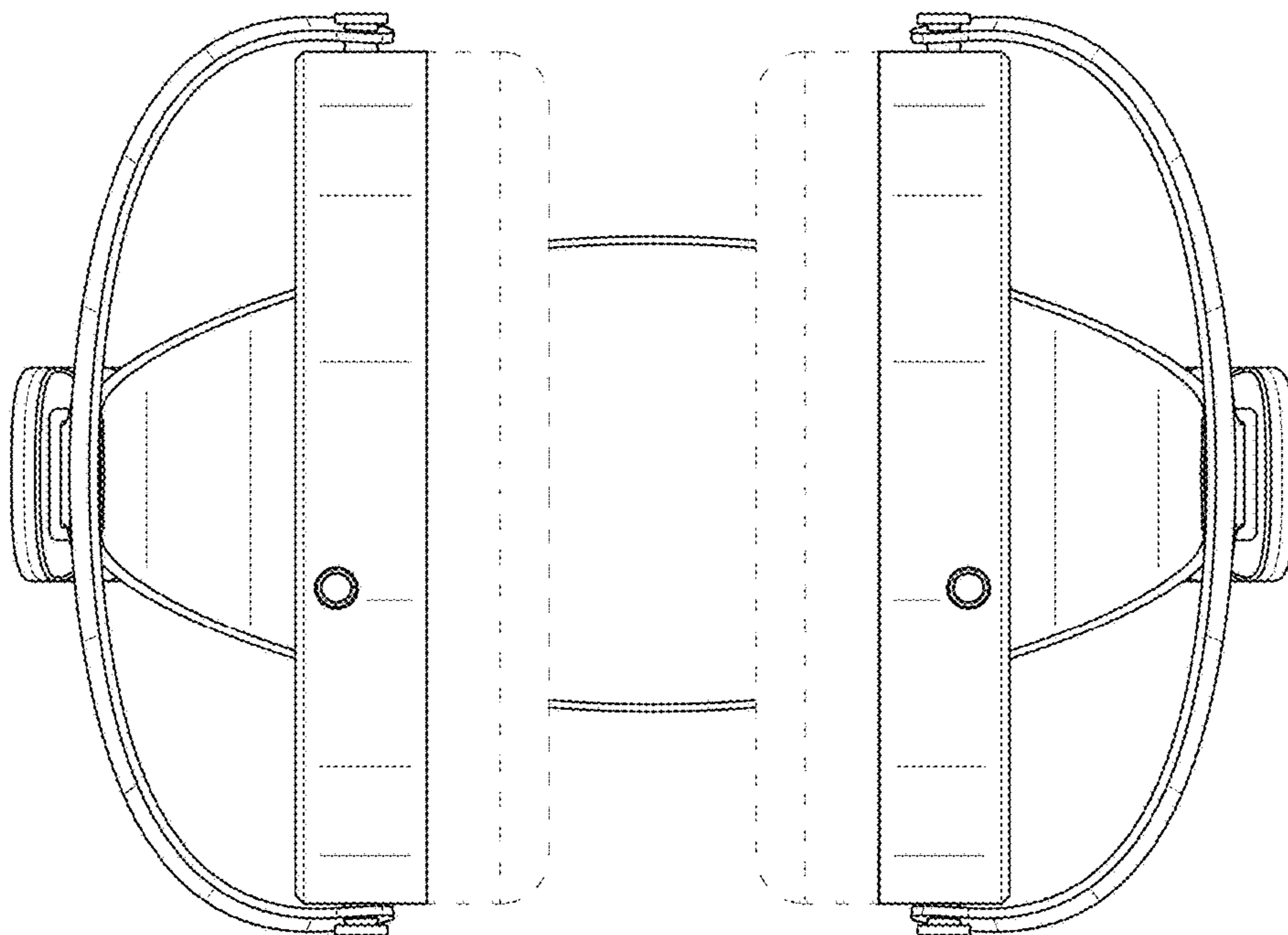


FIG. 5

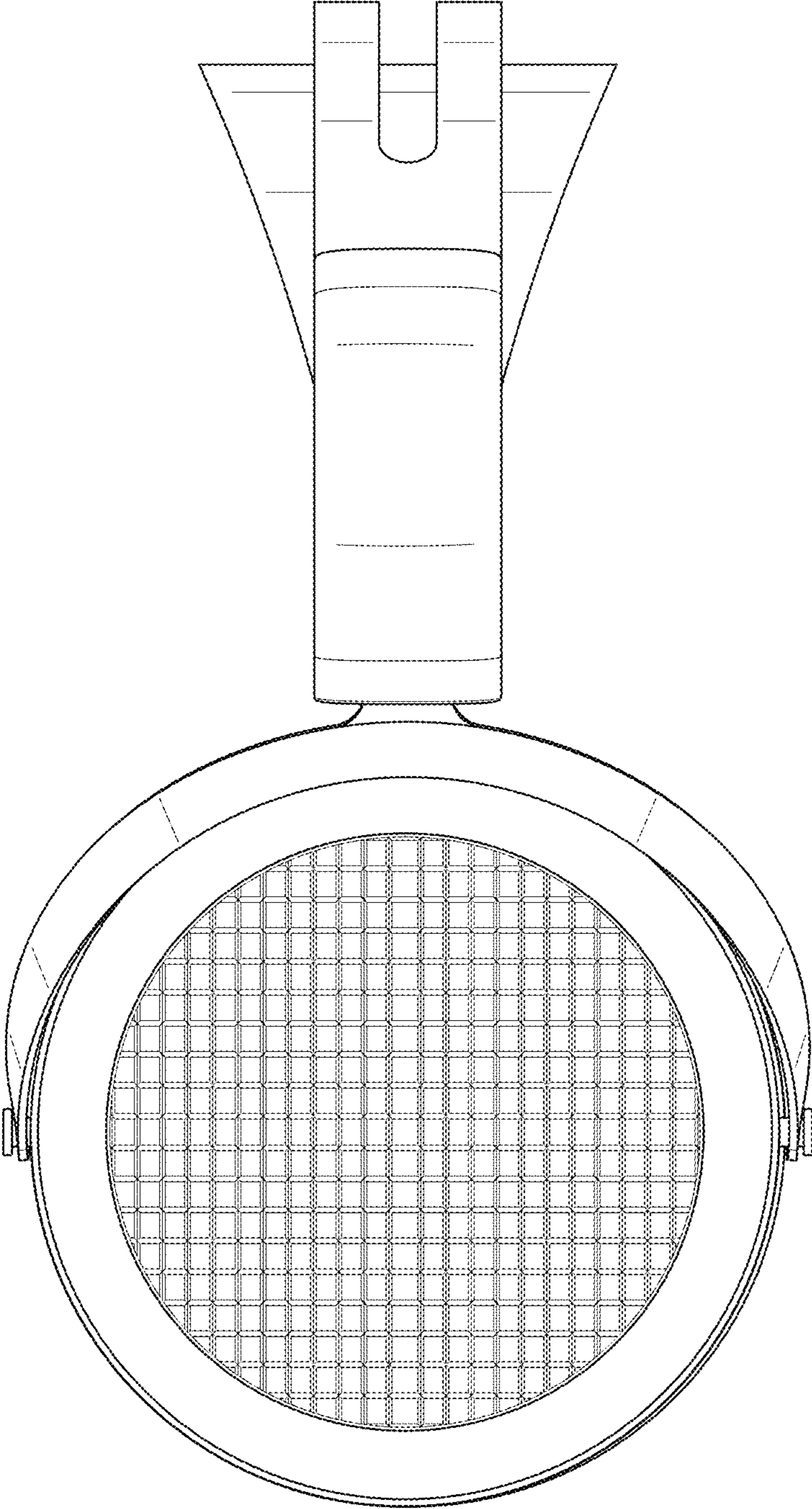


FIG. 6