



US00D867327S

(12) **United States Design Patent** (10) **Patent No.:** **US D867,327 S**  
**Brunner et al.** (45) **Date of Patent:** **\*\* Nov. 19, 2019**

(54) **HEADSET**

(71) Applicant: **Apple Inc.**, Cupertino, CA (US)

(72) Inventors: **Robert Brunner**, San Francisco, CA (US); **Christopher Kuh**, San Francisco, CA (US)

(73) Assignee: **Apple Inc.**, Cupertino, CA (US)

(\*\*) Term: **15 Years**

(21) Appl. No.: **29/634,460**

(22) Filed: **Jan. 22, 2018**

**Related U.S. Application Data**

(60) Continuation of application No. 29/568,227, filed on Jun. 16, 2016, now Pat. No. Des. 809,477, which is a continuation of application No. 29/527,761, filed on May 21, 2015, now Pat. No. Des. 760,688, which is a continuation of application No. 29/490,833, filed on May 14, 2014, now Pat. No. Des. 732,503, which is a continuation of application No. 29/471,109, filed on Oct. 28, 2013, now Pat. No. Des. 709,860, which is a division of application No. 29/410,584, filed on Jan. 9, 2012, now Pat. No. Des. 692,410.

(51) **LOC (12) Cl.** ..... **14-01**

(52) **U.S. Cl.**  
USPC ..... **D14/205**

(58) **Field of Classification Search**  
USPC ..... D14/205, 206, 188, 192; D29/112; 2/209; 181/129, 130, 135; 379/430, 431; 381/380, 381, 374, 370; 455/90.3, 575.1, 455/569.1  
CPC .... H04R 25/00; H04R 1/1066; H04R 1/1016; H04R 5/033; H04R 5/0335; H04R 1/10  
See application file for complete search history.

(56) **References Cited**

U.S. PATENT DOCUMENTS

1,066,511 A	7/1913	Markoff
1,367,746 A	2/1921	Kent
2,149,341 A	3/1939	Harrison
3,104,398 A	9/1963	Palmaer
D203,677 S	2/1966	Spilman et al.
D229,833 S	1/1974	Becker
D244,300 S	5/1977	Besasio

(Continued)

FOREIGN PATENT DOCUMENTS

EM	001334221-0001	*	7/2012
GB	2072035 B		1/1998

(Continued)

OTHER PUBLICATIONS

Office Action dated Dec. 10, 2010 for Russian Report Application No. 2010501890.

(Continued)

*Primary Examiner* — Paula Allen Greene  
(74) *Attorney, Agent, or Firm* — Sterne, Kessler, Goldstein & Fox P.L.L.C.

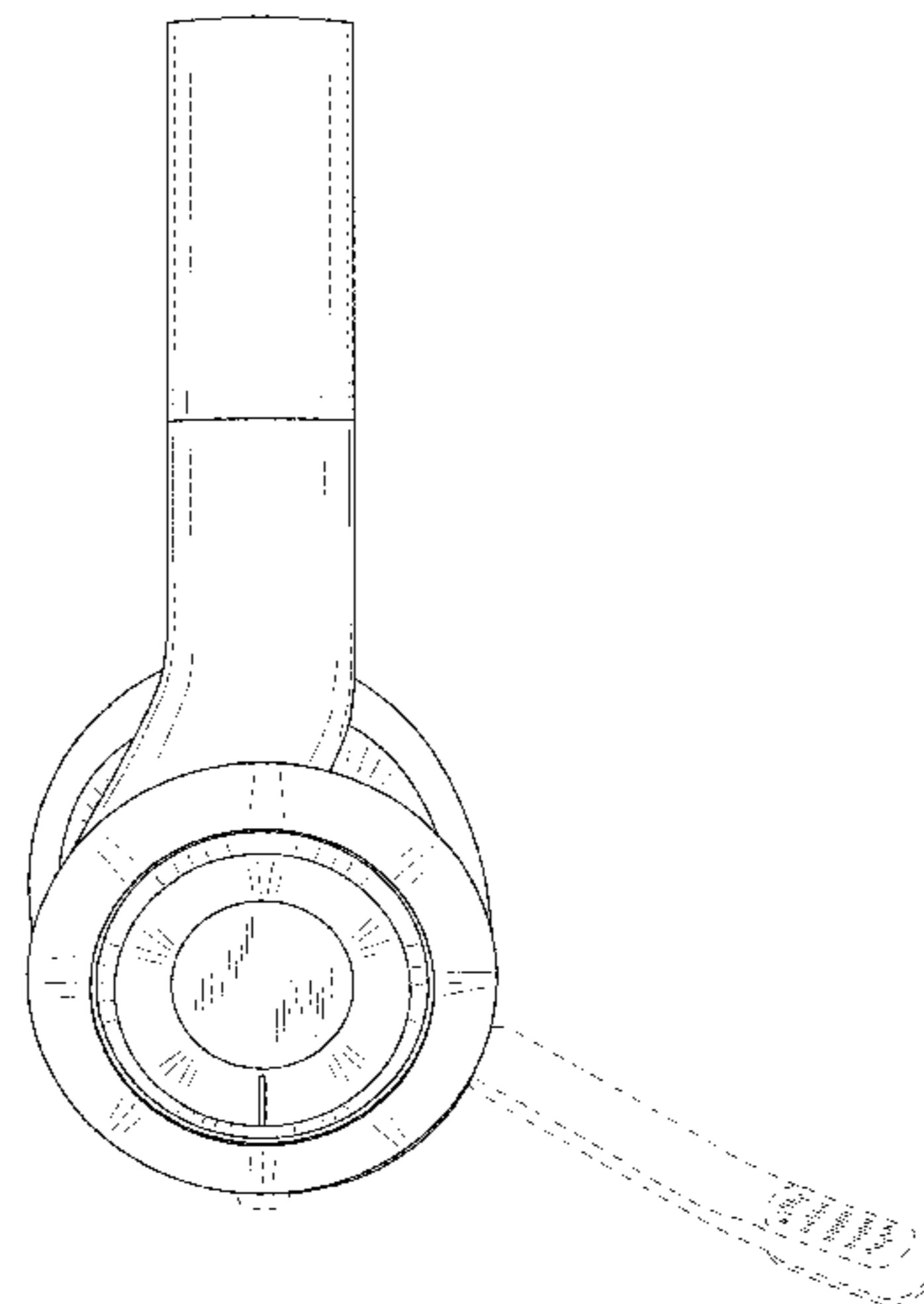
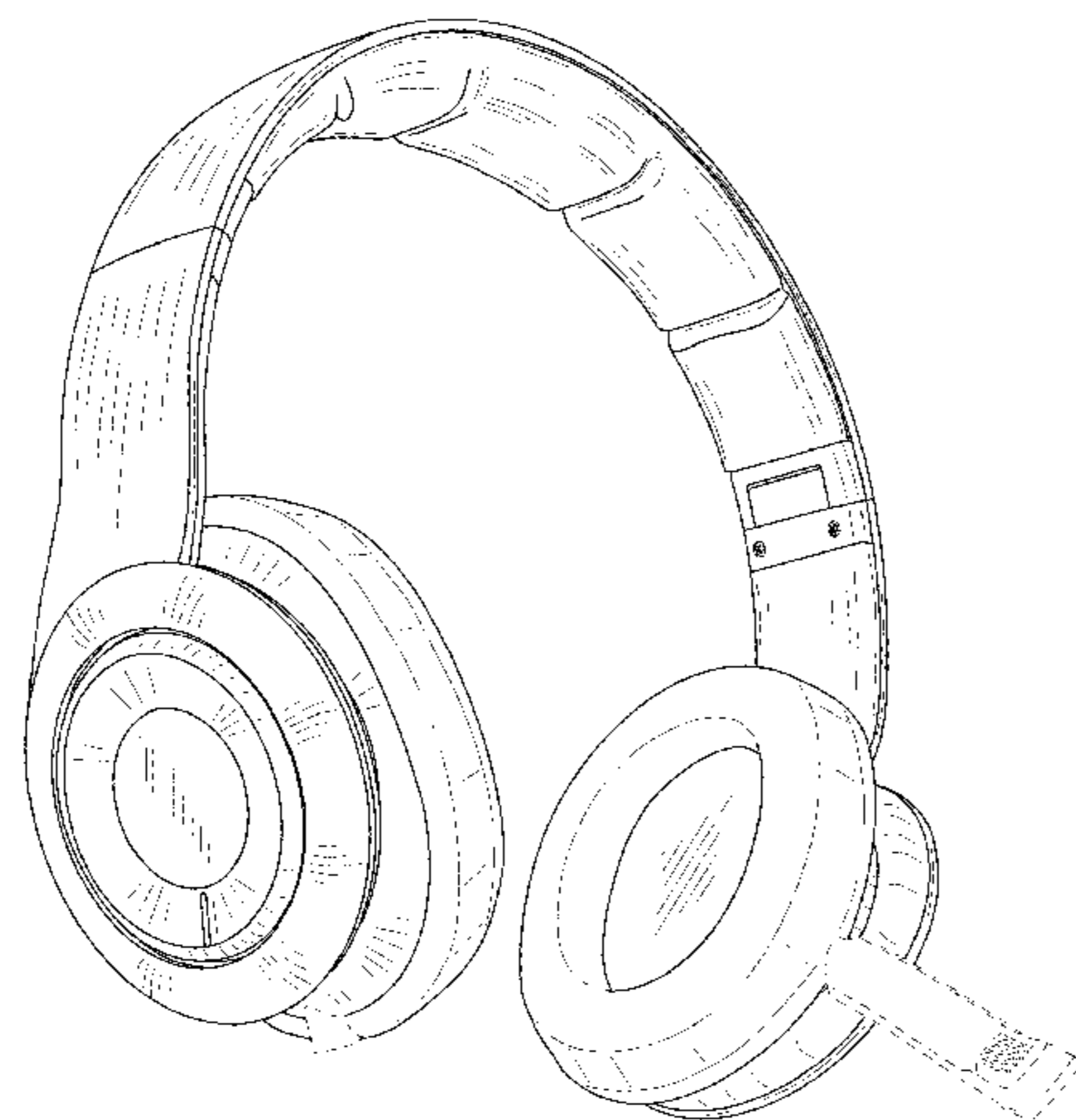
(57) **CLAIM**

The ornamental design for a headset, as shown and described.

**DESCRIPTION**

FIG. 1 is a front perspective view of a headset showing the claimed design;  
FIG. 2 is a rear view thereof;  
FIG. 3 is a bottom view thereof;  
FIG. 4 is a front view thereof;  
FIG. 5 is a right side view thereof;  
FIG. 6 is a left side view thereof; and,  
FIG. 7 is a top view thereof.  
The broken lines in the figures show portions of the headset that form no part of the claimed design.

**1 Claim, 7 Drawing Sheets**



(56)

References Cited

U.S. PATENT DOCUMENTS

4,173,715 A	11/1979	Gosman	D600,674 S	9/2009	Brennwald	
D254,183 S	2/1980	Doodson	D603,370 S	11/2009	Suzuki	
D254,876 S	5/1980	Reitenga et al.	D603,371 S	11/2009	Boateng et al.	
D255,352 S	6/1980	Besasio	D616,865 S	6/2010	Marchand et al.	
4,385,209 A	5/1983	Greason et al.	D617,769 S	6/2010	Birger	
4,404,445 A	9/1983	Baran et al.	7,735,154 B2	6/2010	Gellis et al.	
4,609,786 A	9/1986	Omoto et al.	D625,705 S	10/2010	Ohuri et al.	
D286,874 S	11/1986	Bertagna et al.	D632,668 S	2/2011	Brunner et al.	
4,634,816 A	1/1987	O'Malley et al.	D633,896 S	3/2011	Kondo et al.	
4,875,233 A	10/1989	Derhaag et al.	D635,959 S	4/2011	Hutchieson	
D313,092 S	12/1990	Nilsson	D637,176 S	5/2011	Brunner et al.	
5,018,599 A	5/1991	Dohi et al.	D637,998 S	5/2011	Brunner et al.	
5,035,005 A	7/1991	Hung	D637,999 S	5/2011	Brunner et al.	
D328,074 S	7/1992	Yamazaki et al.	D638,000 S	5/2011	Hoggarth	
D328,461 S	8/1992	Daido et al.	D639,776 S	6/2011	Arimoto	
D338,010 S	8/1993	Yamatogi	D641,725 S	7/2011	Chong et al.	
D351,172 S	10/1994	Nakamura et al.	D648,330 S	11/2011	Fischer	
D358,389 S	5/1995	Isono	D652,017 S	1/2012	Groves et al.	
D374,658 S	10/1996	Bever et al.	D652,405 S	1/2012	Lee et al.	
D375,825 S	11/1996	Whidden	D652,406 S	1/2012	Lee et al.	
D392,629 S	3/1998	Amafuji et al.	D654,471 S	2/2012	Fischer	
D394,649 S	5/1998	Pombo	D654,472 S	2/2012	Fischer	
5,812,680 A	9/1998	Glendon	D657,344 S	4/2012	Brunner et al.	
D403,128 S	12/1998	Scanlon et al.	D657,345 S	4/2012	Brunner et al.	
D420,356 S	2/2000	Suzuki	D657,776 S	4/2012	Lee et al.	
D422,592 S	4/2000	Deguchi	D660,823 S	5/2012	Hardi et al.	
6,081,604 A	6/2000	Hikichi et al.	D660,824 S	5/2012	Hardi et al.	
D430,140 S	8/2000	Roman	D660,826 S	5/2012	Brunner et al.	
D435,249 S	12/2000	Yasutomi	D662,490 S	6/2012	McSweyn	
6,163,615 A	12/2000	Callahan	D663,716 S	7/2012	Hardi et al.	
6,195,839 B1	3/2001	Patterson et al.	D673,136 S	12/2012	Kelly et al.	
D457,512 S	5/2002	Yoneda	D673,518 S	1/2013	Tan	
6,449,806 B1	9/2002	Engelhard et al.	D673,520 S	1/2013	Tan	
D468,723 S	1/2003	Pham et al.	D674,767 S	1/2013	Brunner et al.	
6,560,346 B2	5/2003	Ohta et al.	D675,595 S	2/2013	Cho et al.	
D484,485 S	12/2003	Matsuoka	D677,647 S	3/2013	Lee et al.	
6,654,966 B2	12/2003	Rolla	D683,329 S	5/2013	Hagelin	
D484,868 S	1/2004	Suzuki	D691,112 S	10/2013	Brunner et al.	
6,678,897 B2	1/2004	Lindgren	D691,579 S	10/2013	Lee et al.	
D491,163 S	6/2004	Green	D691,984 S	10/2013	Wang	
D502,938 S	3/2005	Tokioka et al.	D692,410 S *	10/2013	Brunner	H04S 1/005 D14/206
D504,883 S	5/2005	Jacobson et al.	D693,791 S	11/2013	Troy	
D512,381 S	12/2005	Sirichai et al.	D696,226 S	12/2013	Brunner et al.	
D512,417 S	12/2005	Hirakawa et al.	D698,749 S	2/2014	Brunner et al.	
D512,708 S	12/2005	Harris, Jr. et al.	D704,163 S	5/2014	Brunner et al.	
D512,981 S	12/2005	Jacobson et al.	D709,860 S *	7/2014	Brunner	H04S 1/005 D14/205
D517,043 S	3/2006	Jacobson et al.	D711,348 S	8/2014	Yang	
7,072,483 B2	7/2006	Lenhard-Backhaus	D716,760 S	11/2014	Brunner et al.	
D532,407 S	11/2006	Motoishi	D732,503 S *	6/2015	Brunner	H04S 1/005 D14/205
D534,155 S	12/2006	Obata	9,084,055 B2	7/2015	Brunner et al.	
D534,156 S	12/2006	Obata	D760,688 S *	7/2016	Brunner	H04S 1/005 D14/206
7,172,052 B2	2/2007	Lenhard-Backhaus	D764,435 S *	8/2016	Brunner	D14/205
D539,788 S	4/2007	Thompson et al.	D767,531 S *	9/2016	Szymanski	D14/205
D540,301 S	4/2007	Obata	D775,104 S *	12/2016	Lee	D14/205
D540,303 S	4/2007	Rausch et al.	D778,258 S *	2/2017	Hsu	D14/205
D541,255 S	4/2007	Taylor et al.	D780,713 S *	3/2017	Szymanski	D14/205
D541,256 S	4/2007	Rausch et al.	D782,995 S *	4/2017	Matthews	D14/205
D541,257 S	4/2007	Thursfield	D786,824 S *	5/2017	Hembrey	D14/205
D552,077 S	10/2007	Brunner et al.	D787,470 S *	5/2017	Kelly	D14/205
D557,684 S	12/2007	Pundsack et al.	D794,601 S *	8/2017	Riggs	D14/205
D560,654 S	1/2008	Feng	D795,835 S *	8/2017	Nagamine	D14/205
D563,382 S	3/2008	Wikel	D797,074 S *	9/2017	Martin	D14/205
D563,995 S	3/2008	Deguchi et al.	D797,075 S *	9/2017	Mauro	D14/205
7,356,362 B2	4/2008	Chang et al.	D800,691 S *	10/2017	Ando	D14/205
D582,890 S	12/2008	Koza et al.	D808,358 S *	1/2018	Dennis	D14/205
D584,715 S	1/2009	Brennwald	D809,477 S *	2/2018	Brunner	D14/205
D585,870 S	2/2009	Zheng et al.	D809,478 S *	2/2018	Arimoto	D14/205
D585,871 S	2/2009	Lee	D811,365 S *	2/2018	Czaniecki	D14/205
D585,872 S	2/2009	Lee	D813,837 S *	3/2018	Paterson	D14/205
D588,098 S	3/2009	Kurihara	D814,438 S *	4/2018	Brunner	D14/205
D588,100 S	3/2009	Densho et al.	D815,614 S *	4/2018	Tzeng	D14/205
D591,263 S	4/2009	Shimizu	D826,210 S *	8/2018	Chong	D14/205
D592,182 S	5/2009	Sanguinetti	D826,895 S *	8/2018	Sharp	D14/205
D592,640 S	5/2009	Tkachuk	D827,607 S *	9/2018	Ando	D14/205
D593,995 S	6/2009	Shimizu	D828,326 S *	9/2018	Ye	D14/205

(56)

References Cited

U.S. PATENT DOCUMENTS

D830,333	S *	10/2018	Carr	.....	D14/205
D832,813	S *	11/2018	Levine	.....	D14/205
D834,557	S *	11/2018	Hardi	.....	D14/205
D836,084	S *	12/2018	Xie	.....	D14/205
D838,687	S *	1/2019	Wu	.....	D14/205
D840,370	S *	2/2019	Kelly	.....	D14/205
D840,970	S *	2/2019	Dryden	.....	D14/205
2003/0182713	A1	10/2003	Rolla		
2004/0216946	A1	11/2004	Lenhard-Backhaus		
2005/0053255	A1	3/2005	Harris et al.		
2005/0226452	A1	10/2005	Amae et al.		
2006/0001307	A1	1/2006	Embach		
2006/0062417	A1	3/2006	Tachikawa		
2006/0104471	A1	5/2006	Tsunoda et al.		
2008/0056525	A1	3/2008	Fujiwara et al.		
2009/0220118	A1	9/2009	Meter et al.		
2010/0128884	A1	5/2010	Sapiejewski et al.		
2010/0284558	A1	11/2010	Kimura et al.		
2011/0206216	A1	8/2011	Brunner et al.		
2011/0249856	A1	10/2011	Takei		
2014/0211976	A1	7/2014	Brunner et al.		

FOREIGN PATENT DOCUMENTS

JP	D1318386	12/2007
JP	D1406347	1/2011
JP	D1430542	12/2011
KR	30-0476152	1/2008
WO	WO 2007/103561 A2	9/2007
WO	WO 2012/094176 A2	7/2012

OTHER PUBLICATIONS

Search Report dated Mar. 31, 2011 for Taiwan Patent Application No. 099303306.  
 Search Report and Written Opinion for PCT Application No. PCT/US11/67045 dated Sep. 27, 2012.  
 Taiwan Office Action for Taiwan Application No. 101303990 dated Aug. 26, 2013.  
 Taiwan Office Action for Taiwan Application No. 101301117 dated Aug. 26, 2013.  
 Taiwan Office Action for Taiwan Application No. 102302000 dated Aug. 26, 2013.

\* cited by examiner



FIG.1

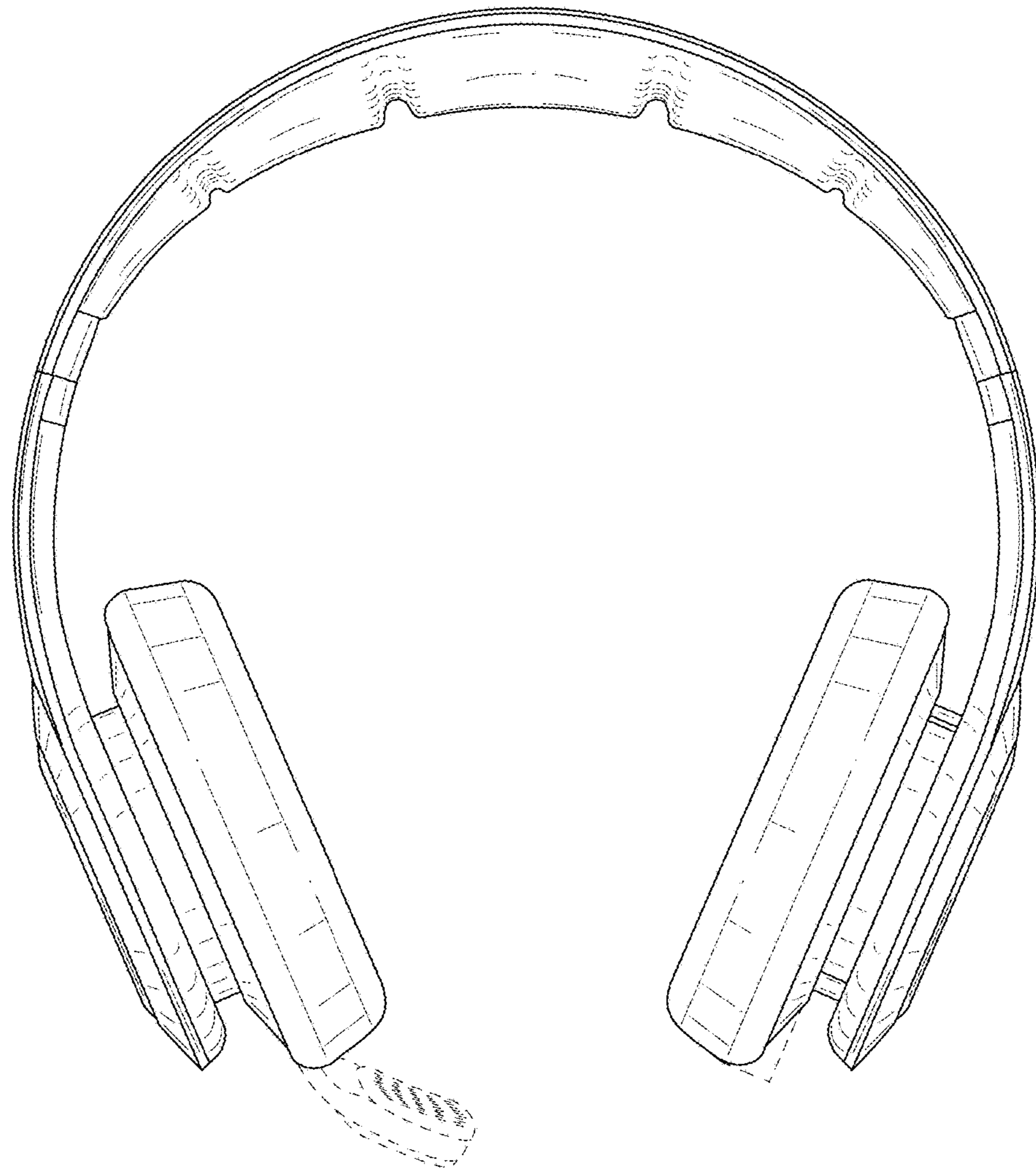


FIG.2

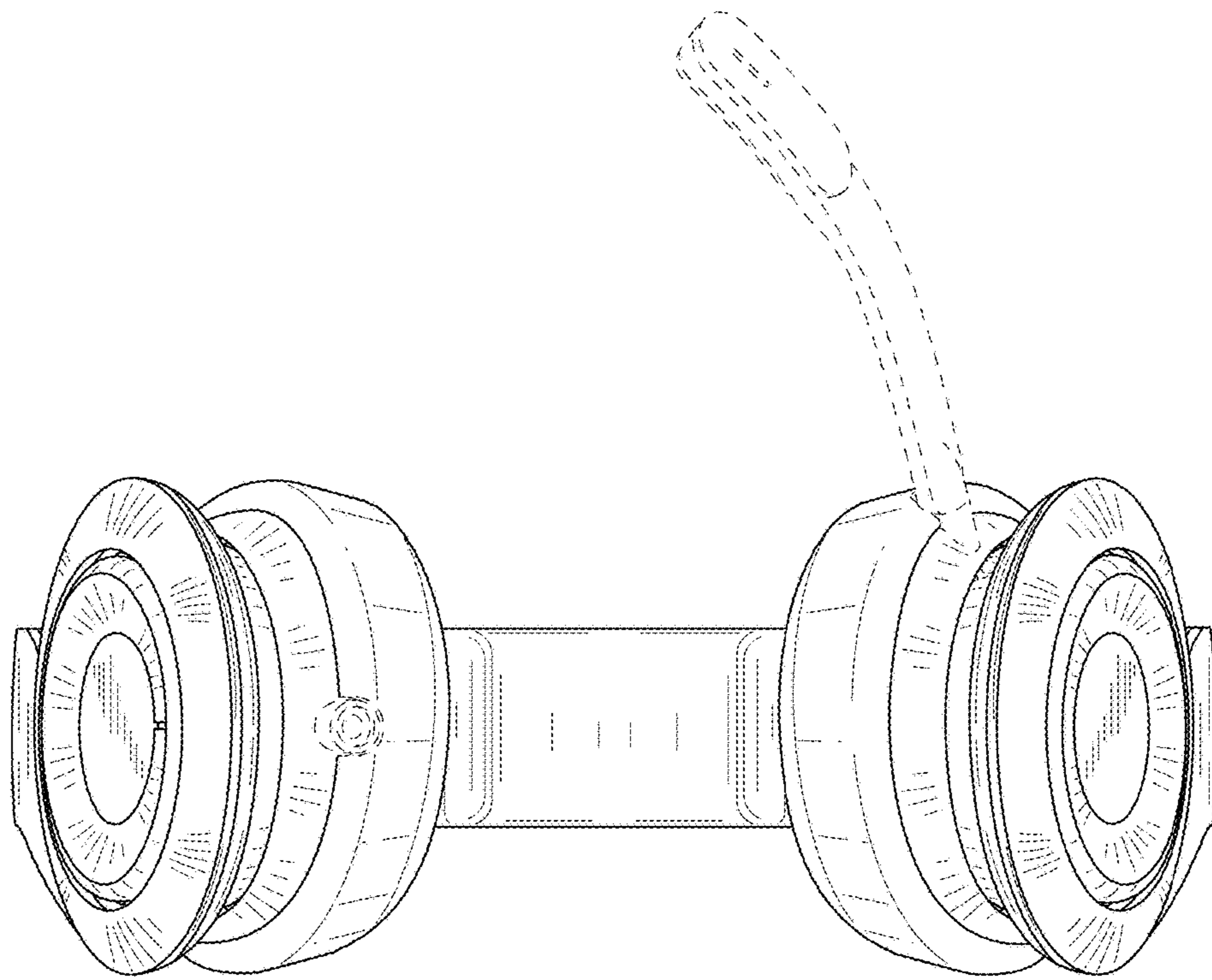


FIG. 3

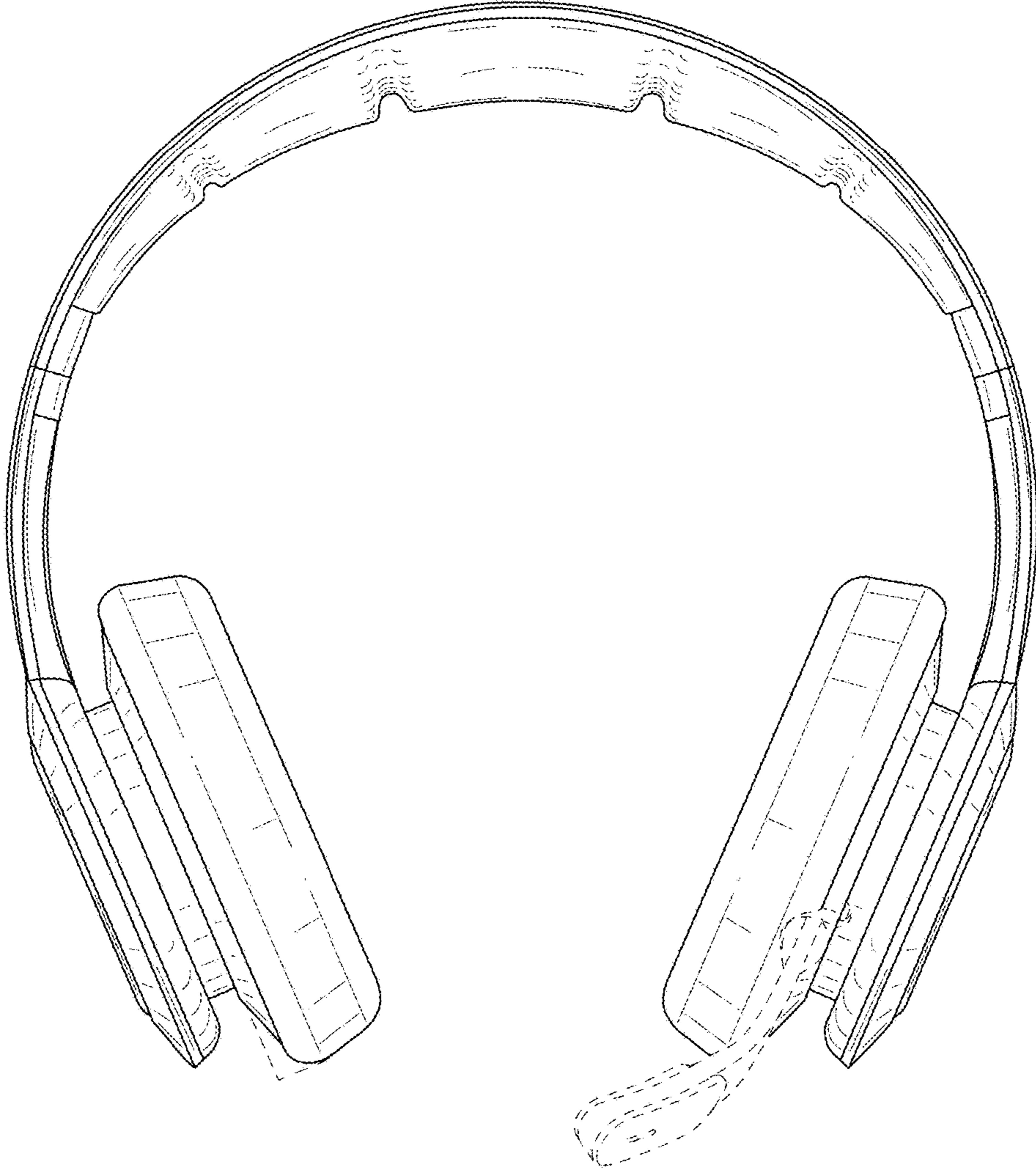


FIG. 4

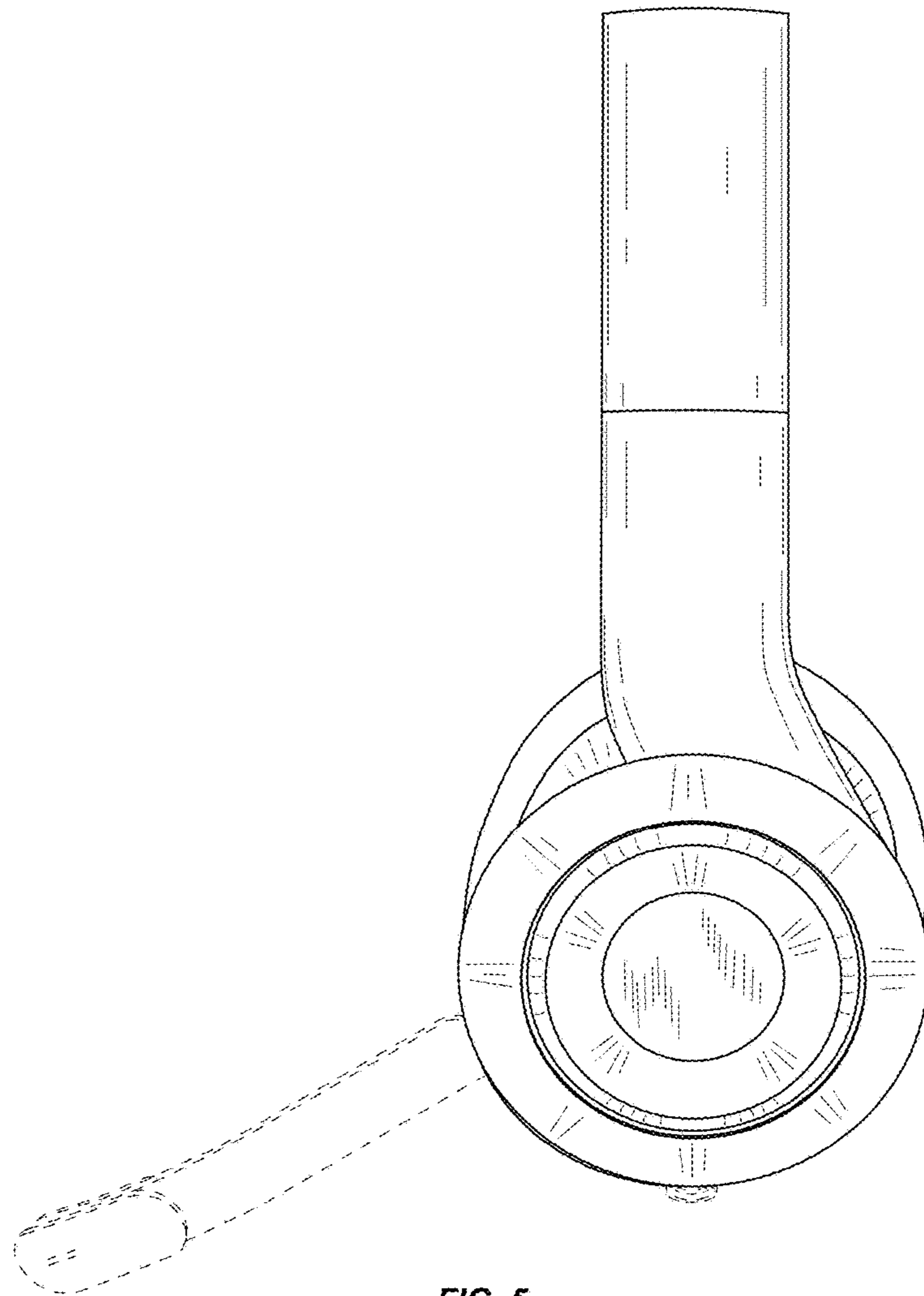


FIG. 5



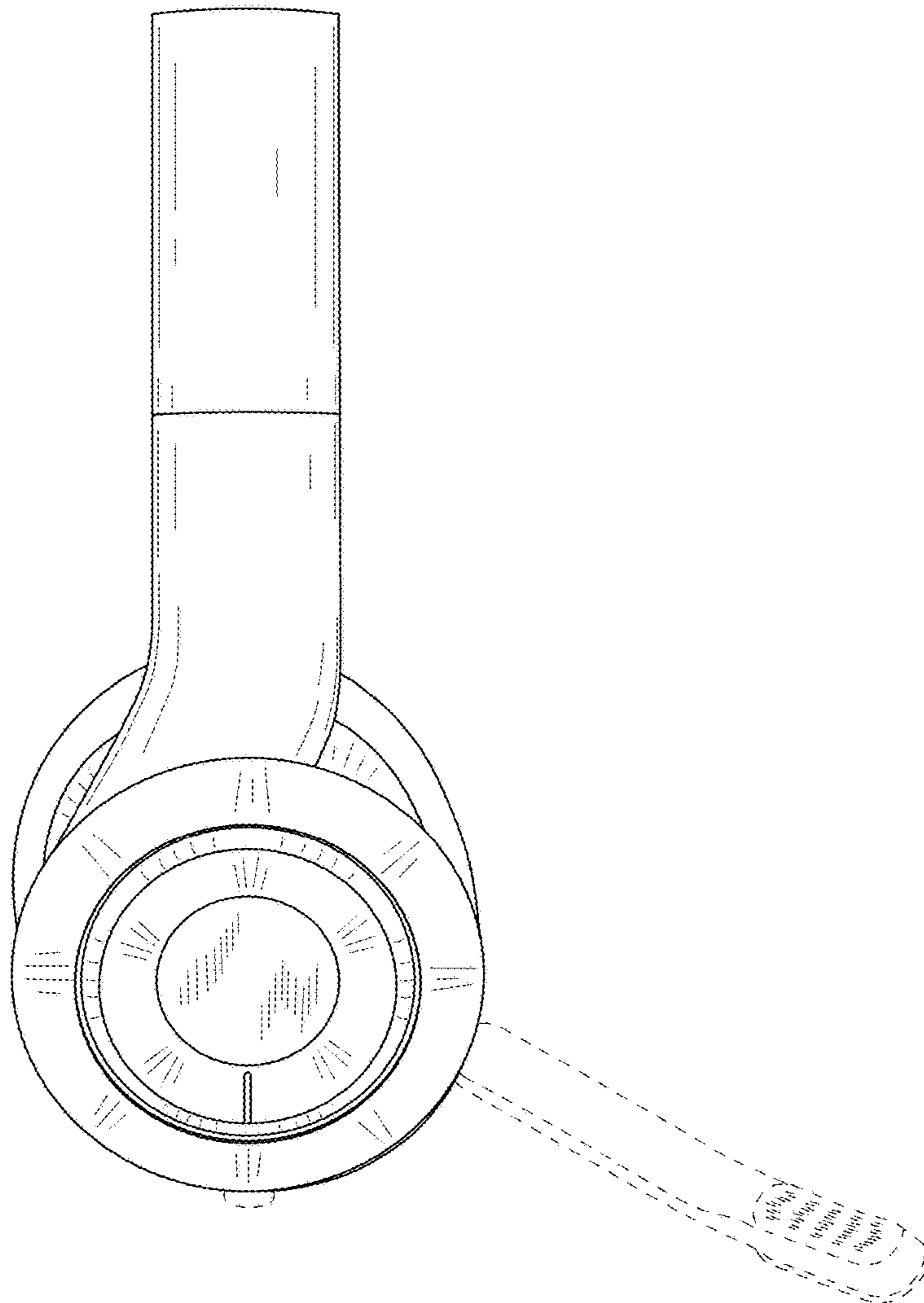


FIG. 6

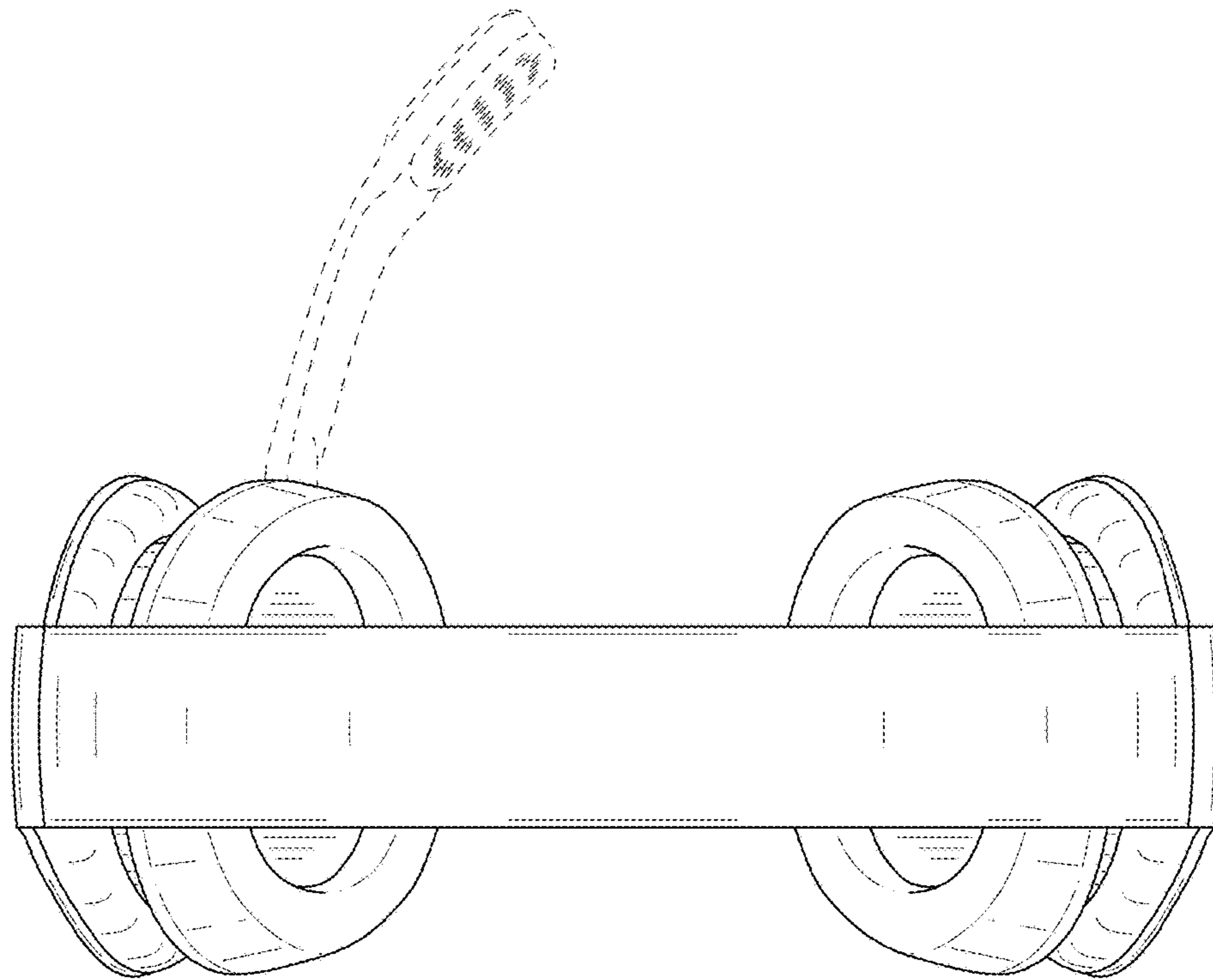


FIG.7