



US00D867323S

(12) **United States Design Patent**  
**Cho et al.**

(10) **Patent No.:** **US D867,323 S**

(45) **Date of Patent:** **\*\* Nov. 19, 2019**

(54) **SPEAKER**

FOREIGN PATENT DOCUMENTS

(71) Applicant: **Samsung Electronics Co., Ltd.**,  
Suwon-si (KR)

KR 30-0528654 5/2009  
KR 30-0533349 7/2009

(Continued)

(72) Inventors: **Chulyong Cho**, Seoul (KR); **Minsun Kang**, Seoul (KR); **Sejin Yoon**, Seoul (KR); **Jihye Lim**, Seoul (KR)

*Primary Examiner* — Derrick E Holland

*Assistant Examiner* — Janice Patyk

(74) *Attorney, Agent, or Firm* — McAndrews Held & Malloy, Ltd.

(73) Assignee: **SAMSUNG ELECTRONICS CO., LTD.**, Suwon-si (KR)

(57) **CLAIM**

The ornamental design for a speaker, as shown and described.

(\*\*) Term: **15 Years**

**DESCRIPTION**

(21) Appl. No.: **29/637,249**

(22) Filed: **Feb. 15, 2018**

(30) **Foreign Application Priority Data**

Aug. 25, 2017 (KR) ..... 30-2017-0039765

(51) **LOC (12) Cl.** ..... **14-01**

(52) **U.S. Cl.**  
USPC ..... **D14/204**

(58) **Field of Classification Search**

USPC .... D14/167, 188, 204, 209.1, 210–215, 348,  
D14/352, 498–505; 181/143, 144, 148,  
181/153, 157, 198, 199; 369/6–12;  
381/300–303, 361–364, 366, 386–388

CPC ..... H04R 1/02; H04R 1/021; H04R 1/023;  
H04R 5/00; H04R 9/06; H04R 2420/07

See application file for complete search history.

(56) **References Cited**

U.S. PATENT DOCUMENTS

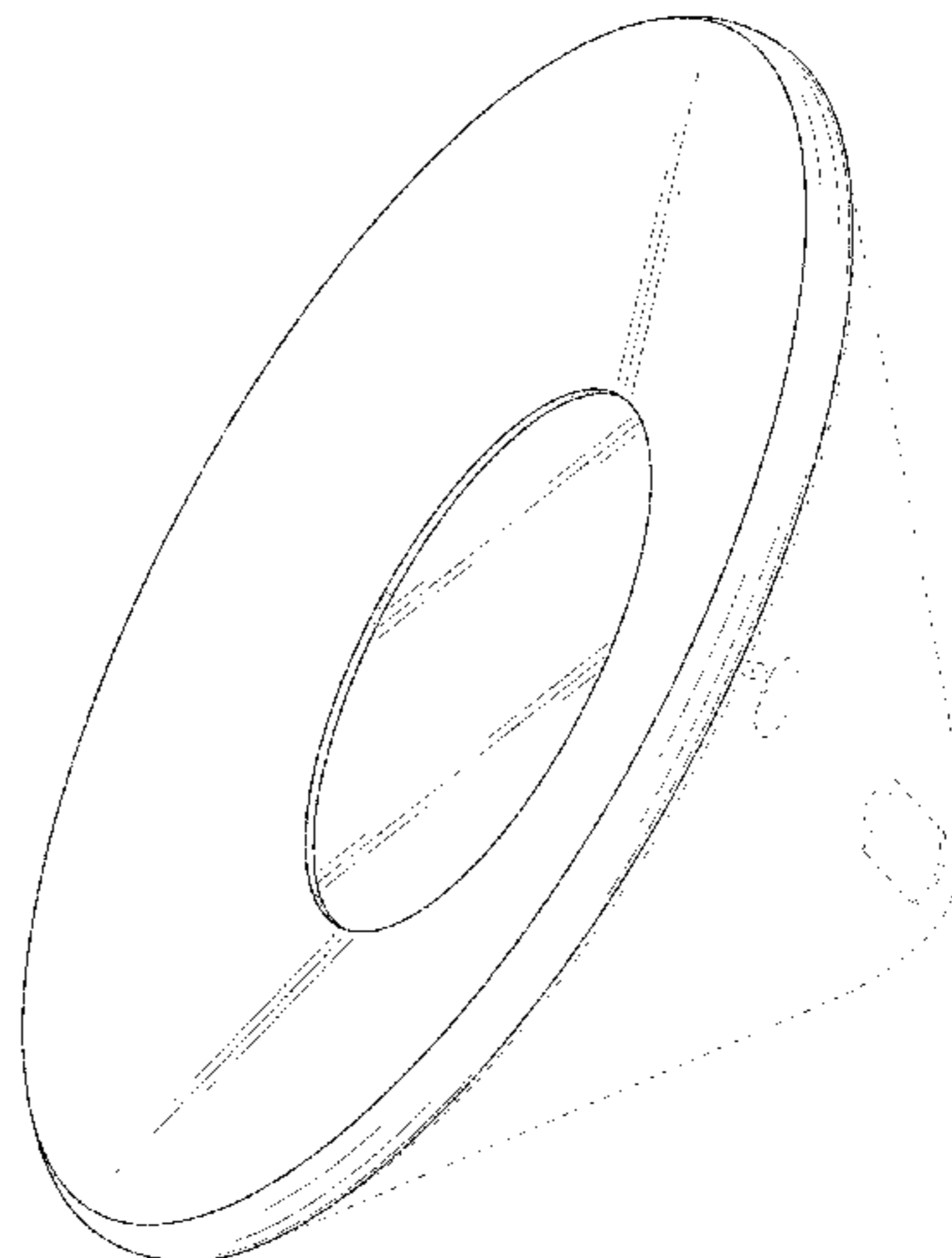
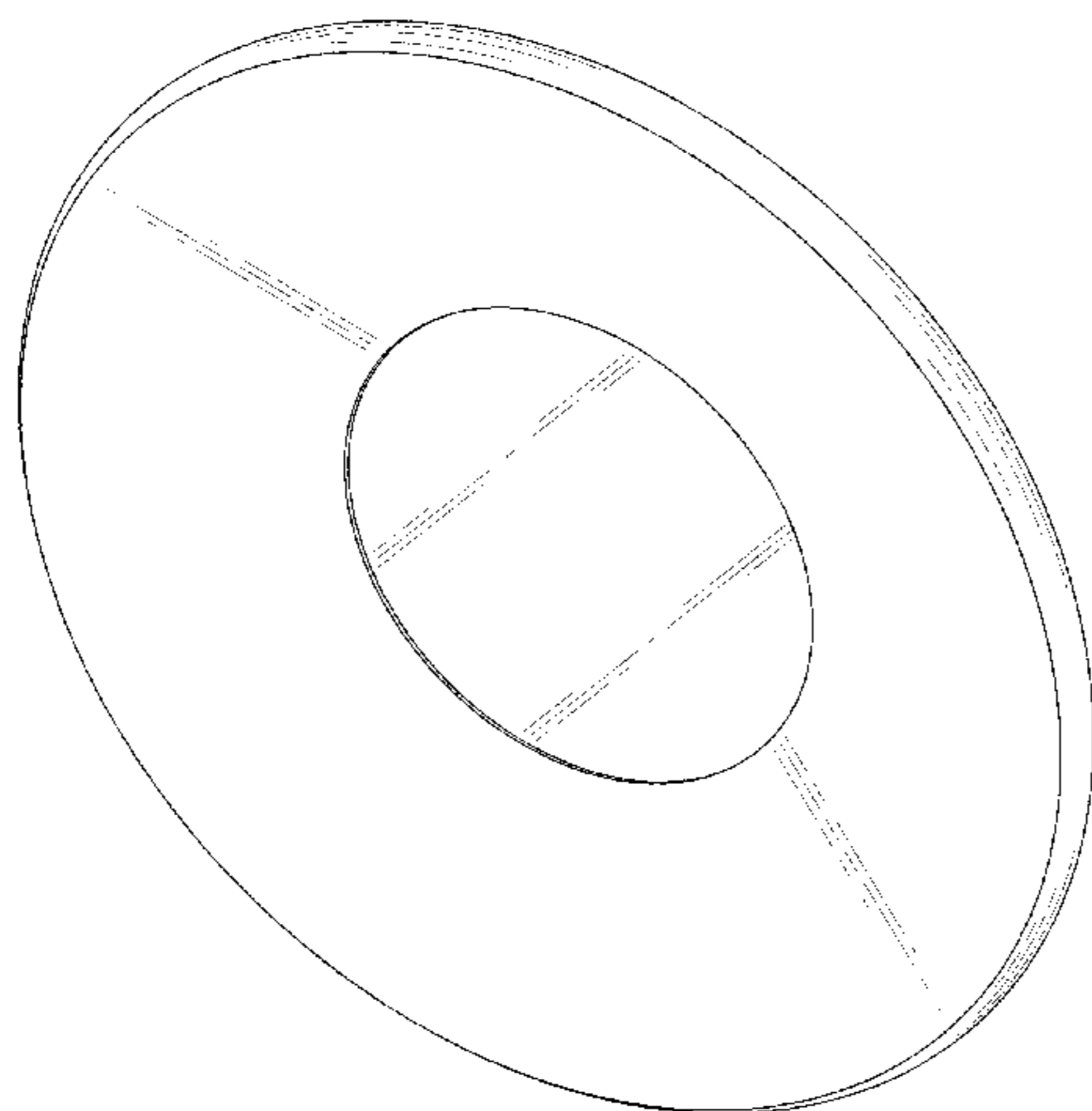
D504,416 S \* 4/2005 Dayan ..... D14/216  
D619,994 S \* 7/2010 Chen ..... D14/216  
D640,823 S \* 6/2011 Hokazono ..... D26/89

(Continued)

FIG. 1 is a top front perspective view of a SPEAKER showing our new design according to a first embodiment; FIG. 2 is a front view thereof; FIG. 3 is a rear view thereof; FIG. 4 is a left side view thereof; FIG. 5 is a right side view thereof; FIG. 6 is a top view thereof; FIG. 7 is a bottom view thereof; FIG. 8 is a bottom front perspective view thereof; FIG. 9 is a top rear perspective view thereof, shown in environmental use; FIG. 10 is a front view thereof, shown in use; FIG. 11 is a front view thereof, shown in use; and, FIG. 12 is a top front perspective view of a speaker showing our new design according to a second embodiment, the rear, left side, right side, top, and bottom views being the same as those of the first embodiment.

The dashed broken line showing of a stand in FIG. 9 is for the purpose of illustrating environmental structure that forms no part of the claimed design. The dashed broken lines in FIGS. 10-11 depict portions of a graphical user interface appearing on the front central display panel that form no part of the claimed design. The remaining dashed broken lines in FIGS. 3-9 depict portions of the speaker that form no part of the claimed design.

**1 Claim, 12 Drawing Sheets**



(56)

**References Cited**

U.S. PATENT DOCUMENTS

D651,588 S \* 1/2012 Chen ..... D14/216  
D658,162 S \* 4/2012 DeVuono ..... D14/222  
D663,880 S \* 7/2012 Janssen ..... D26/74  
D718,280 S 11/2014 Yoon  
D742,059 S \* 10/2015 Gettings ..... D26/120

FOREIGN PATENT DOCUMENTS

KR 30-0657109 8/2012  
KR 30-0772589 11/2014  
KR 30-0805779 7/2015

\* cited by examiner

FIG. 1

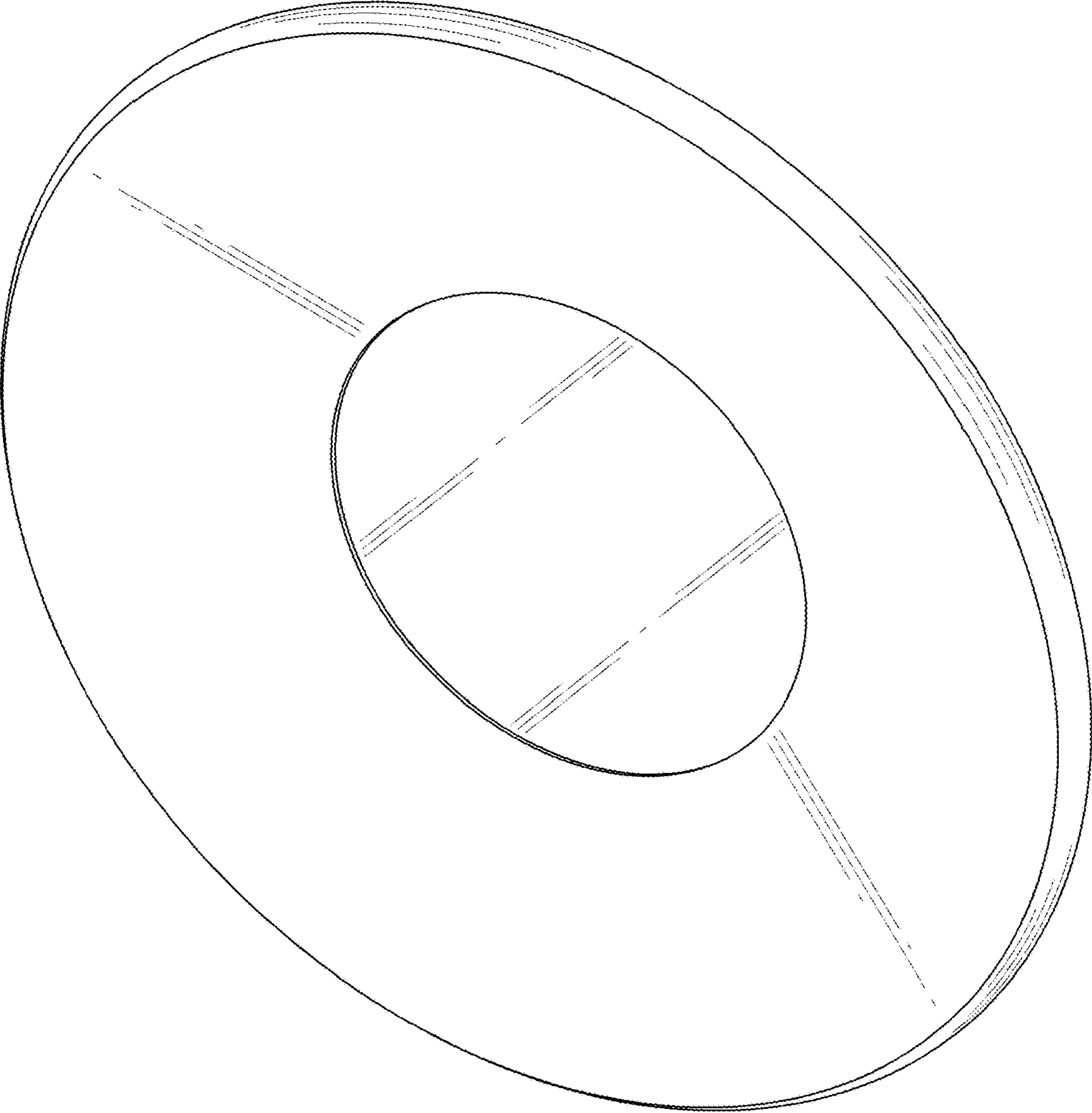


FIG. 2

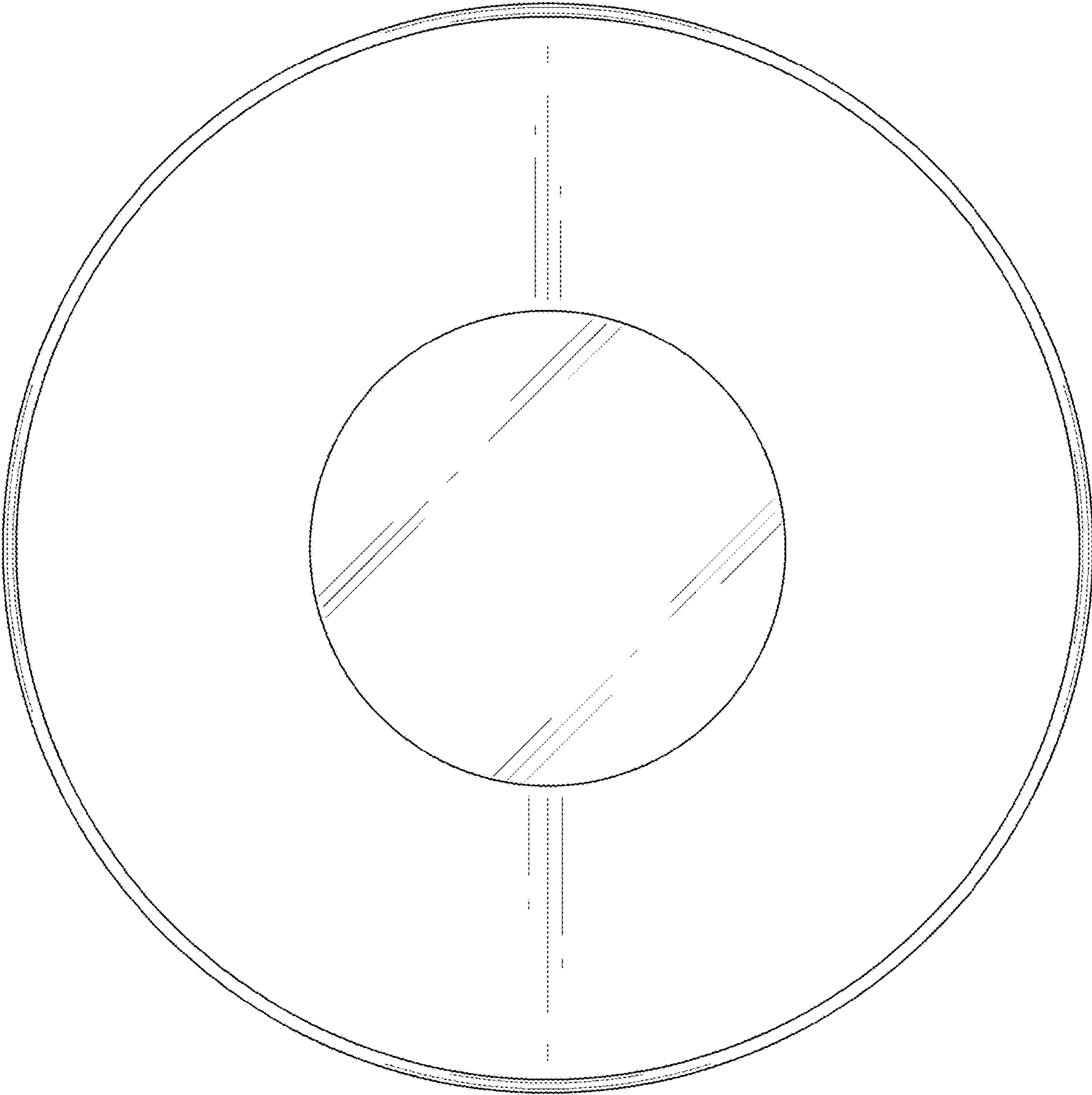


FIG. 3

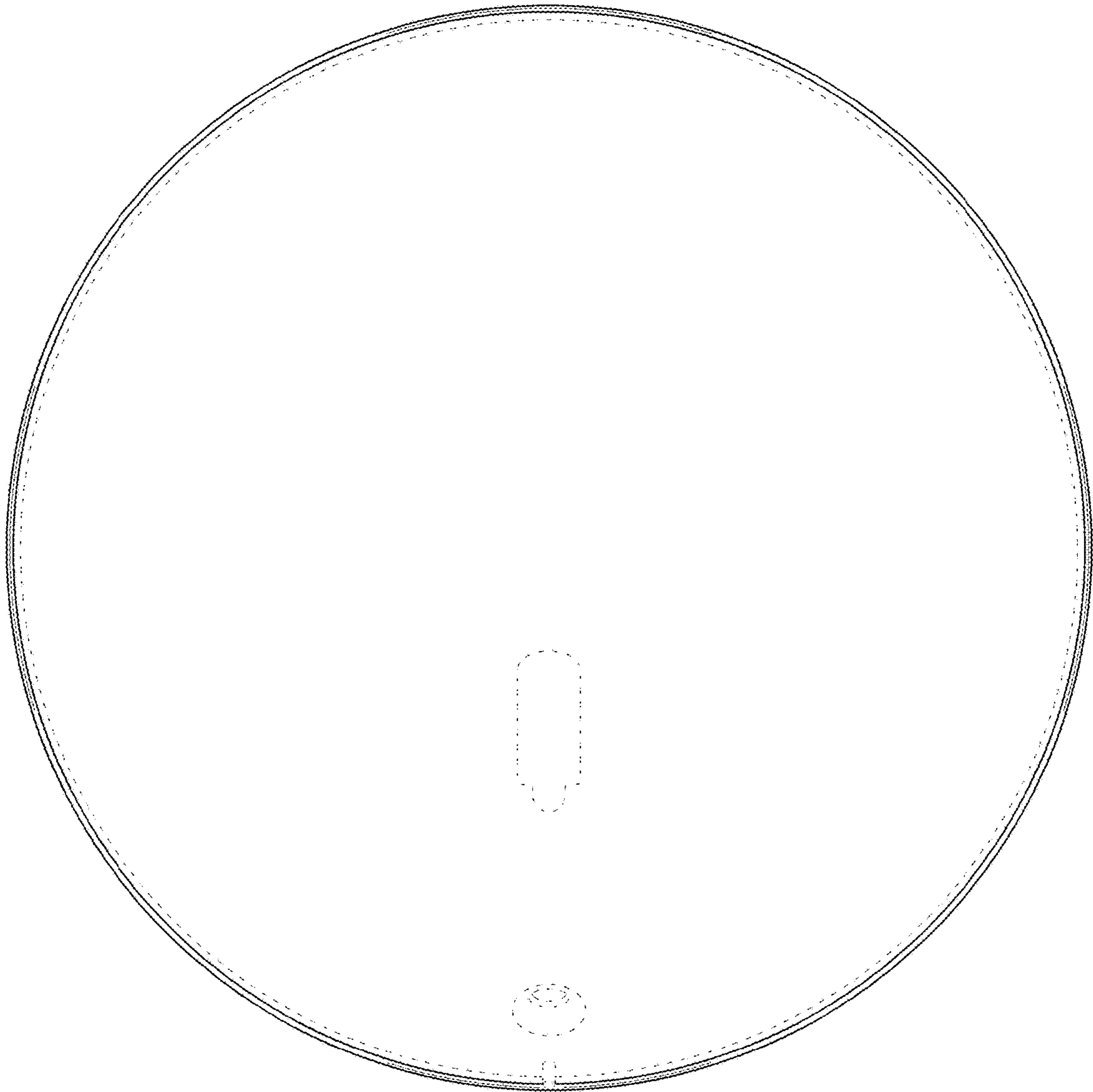


FIG. 4

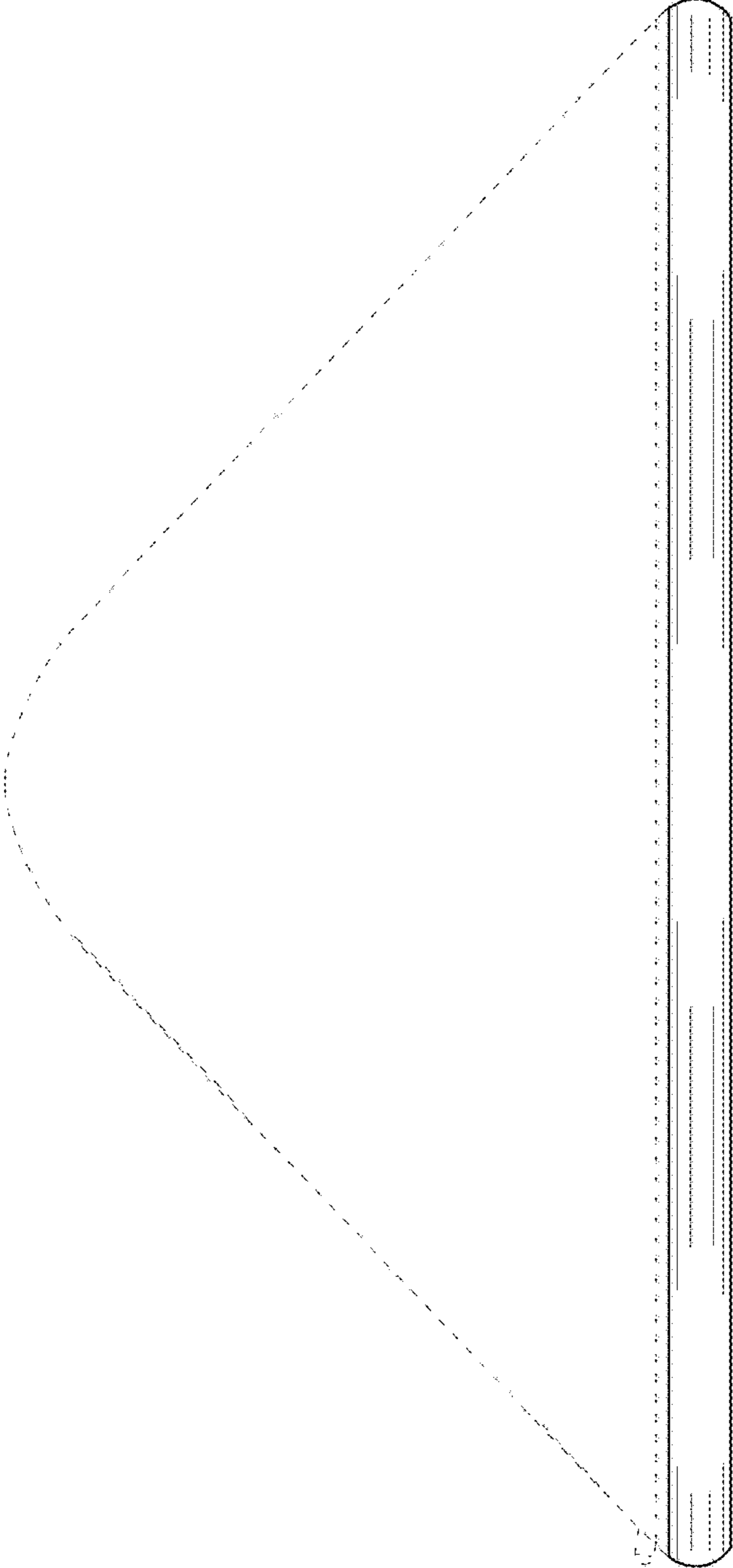


FIG. 5

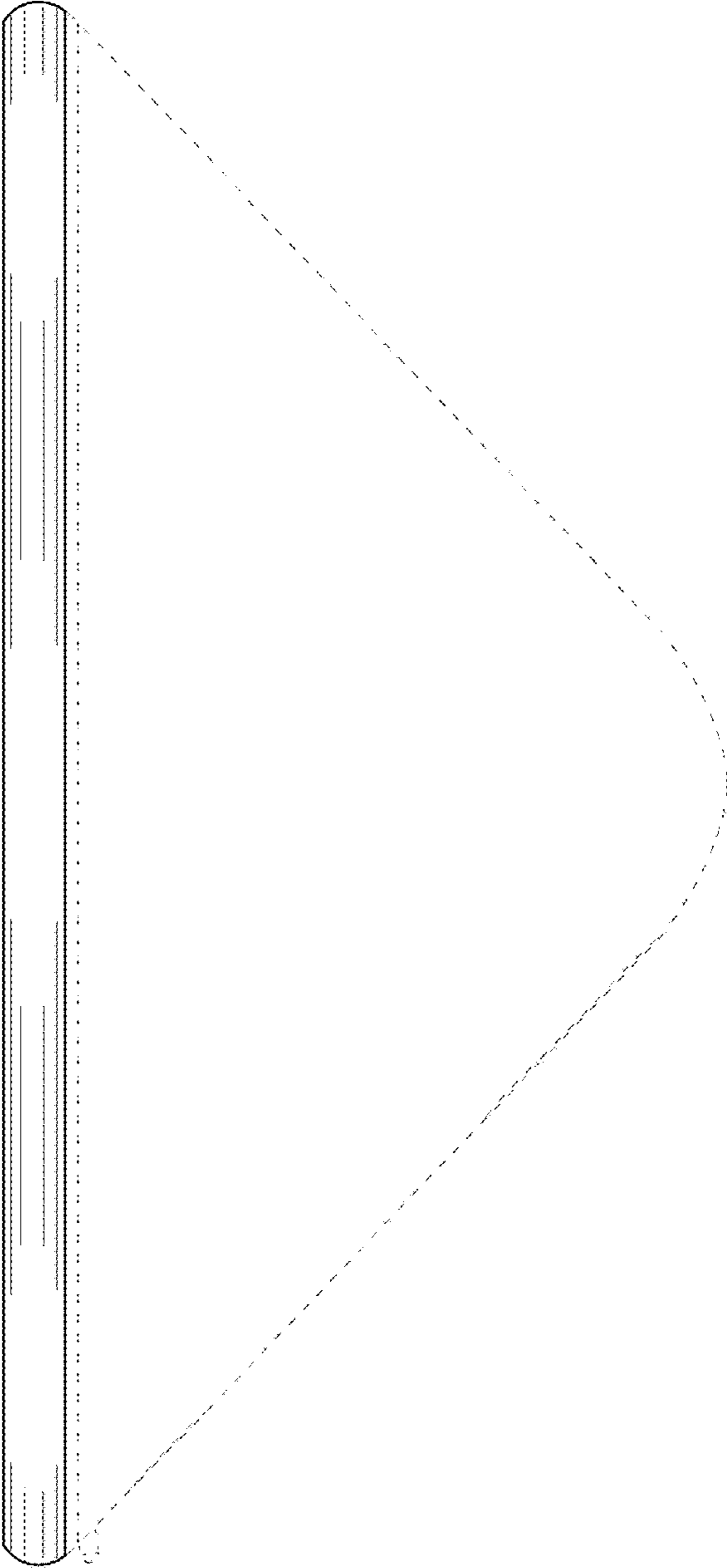


FIG. 6

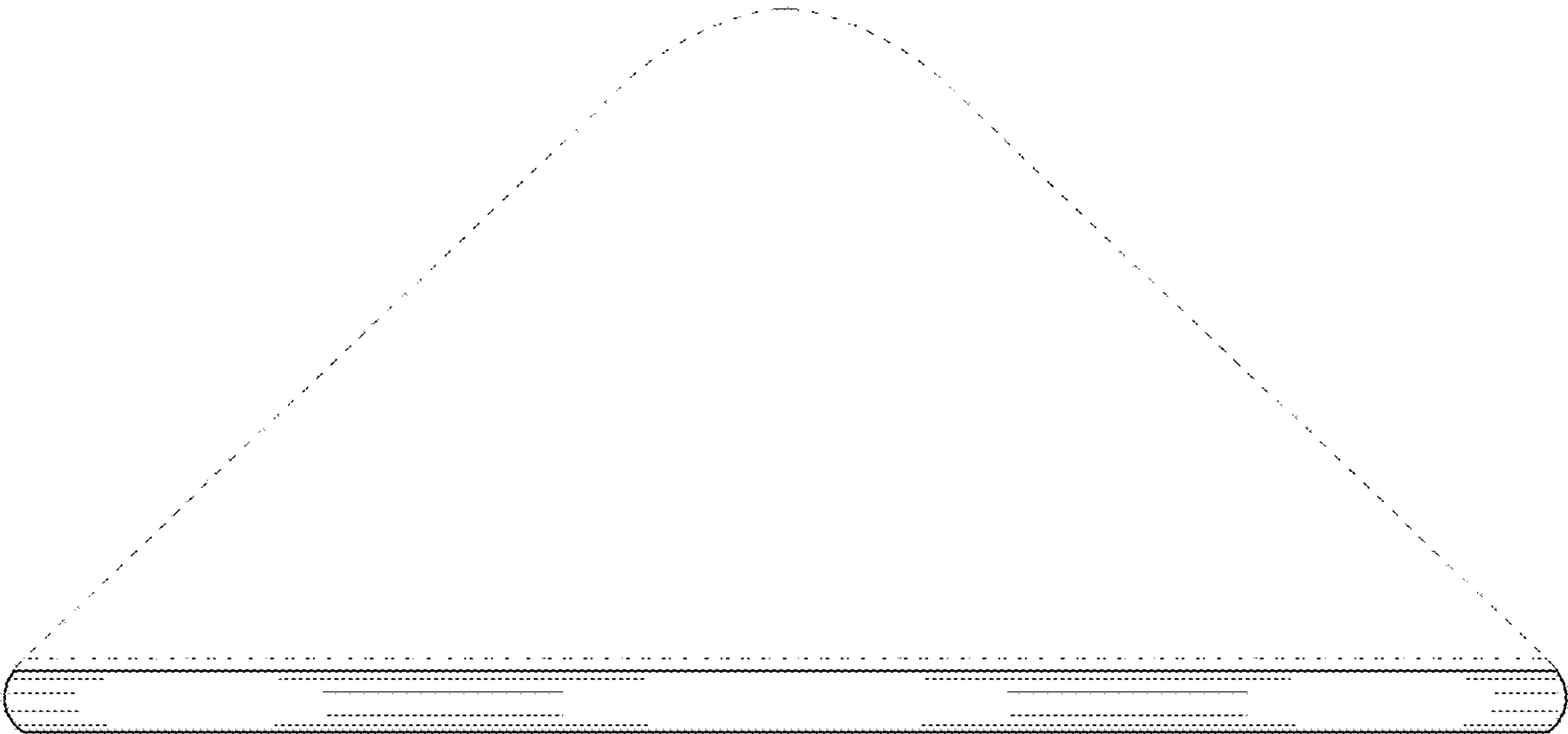




FIG. 7

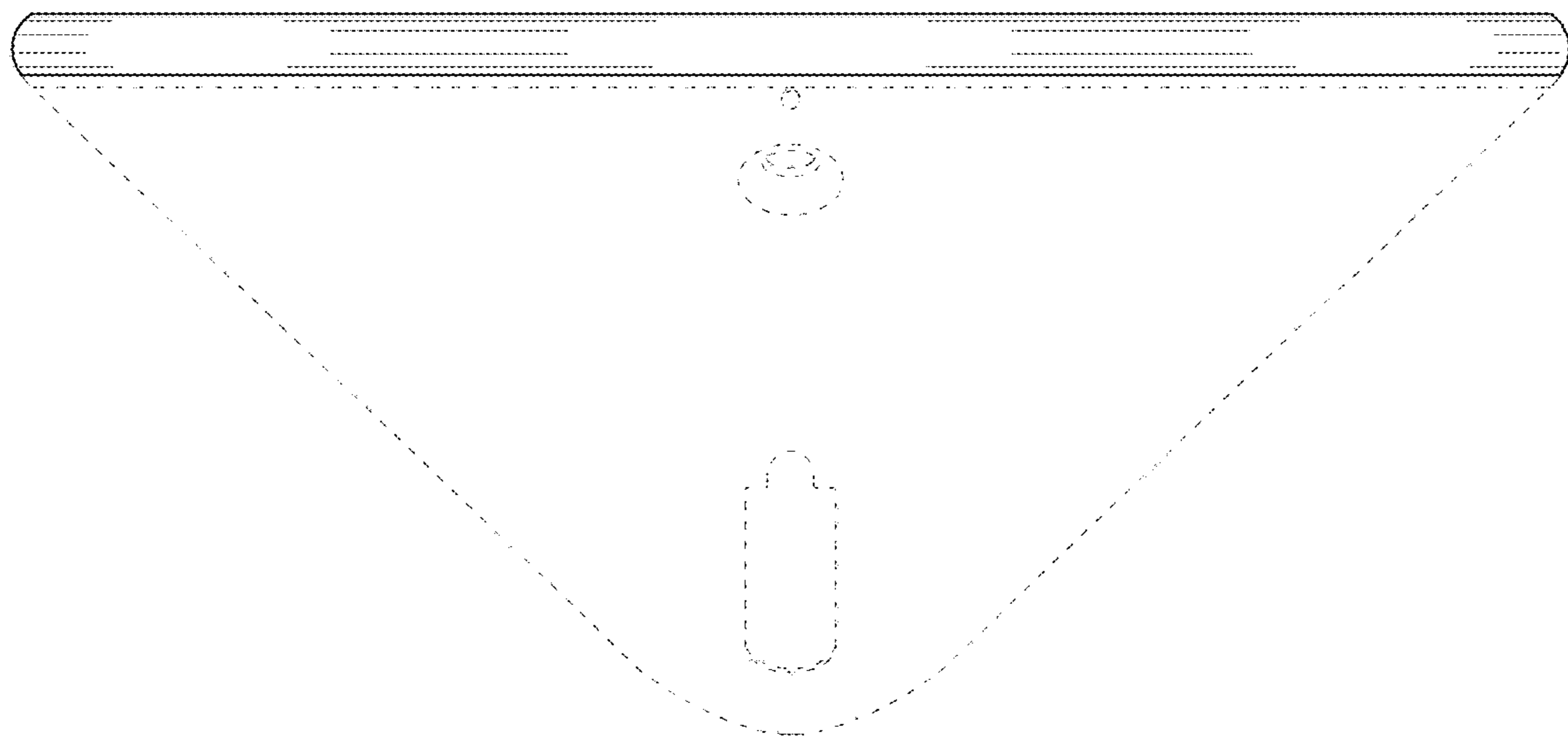


FIG. 8

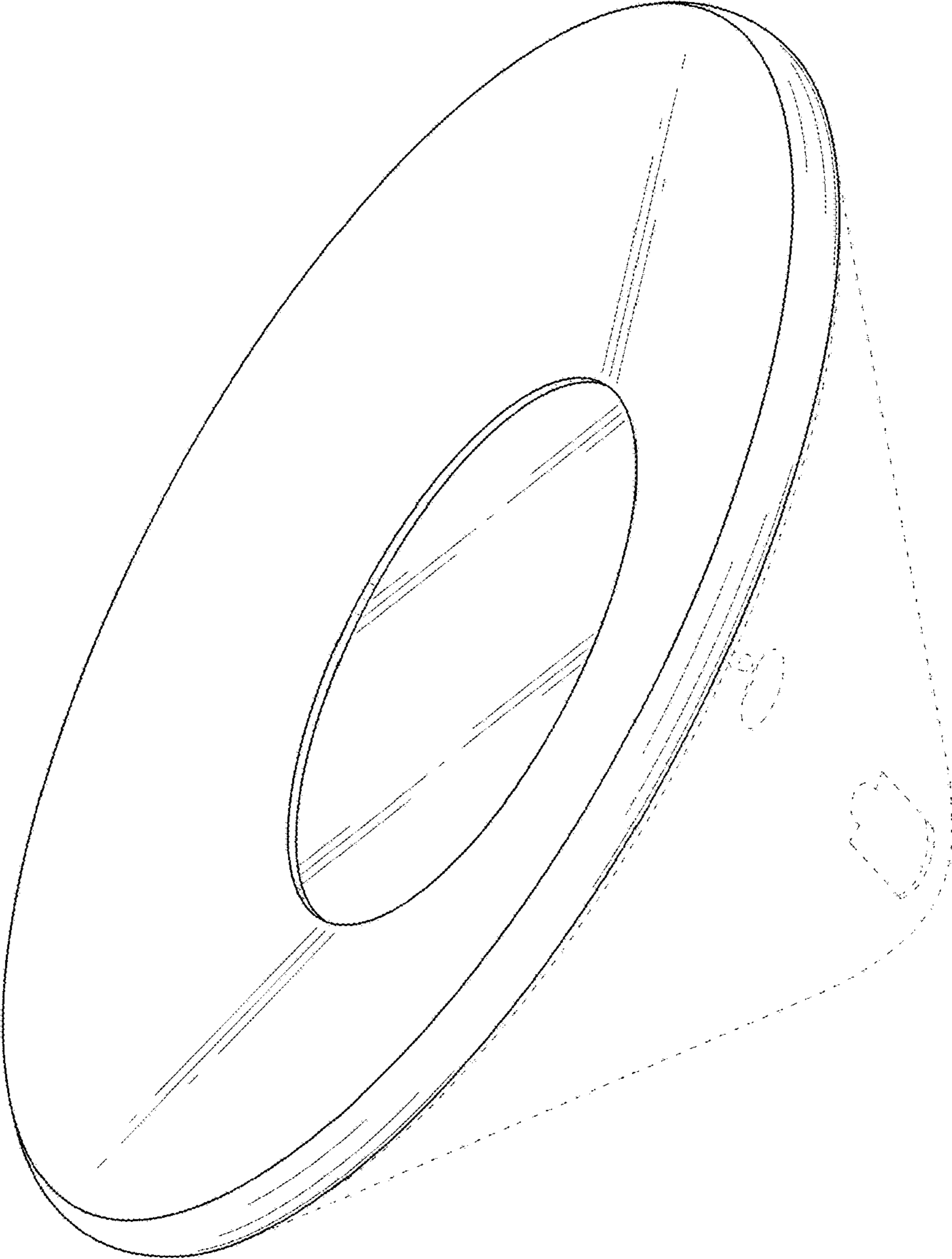


FIG. 9

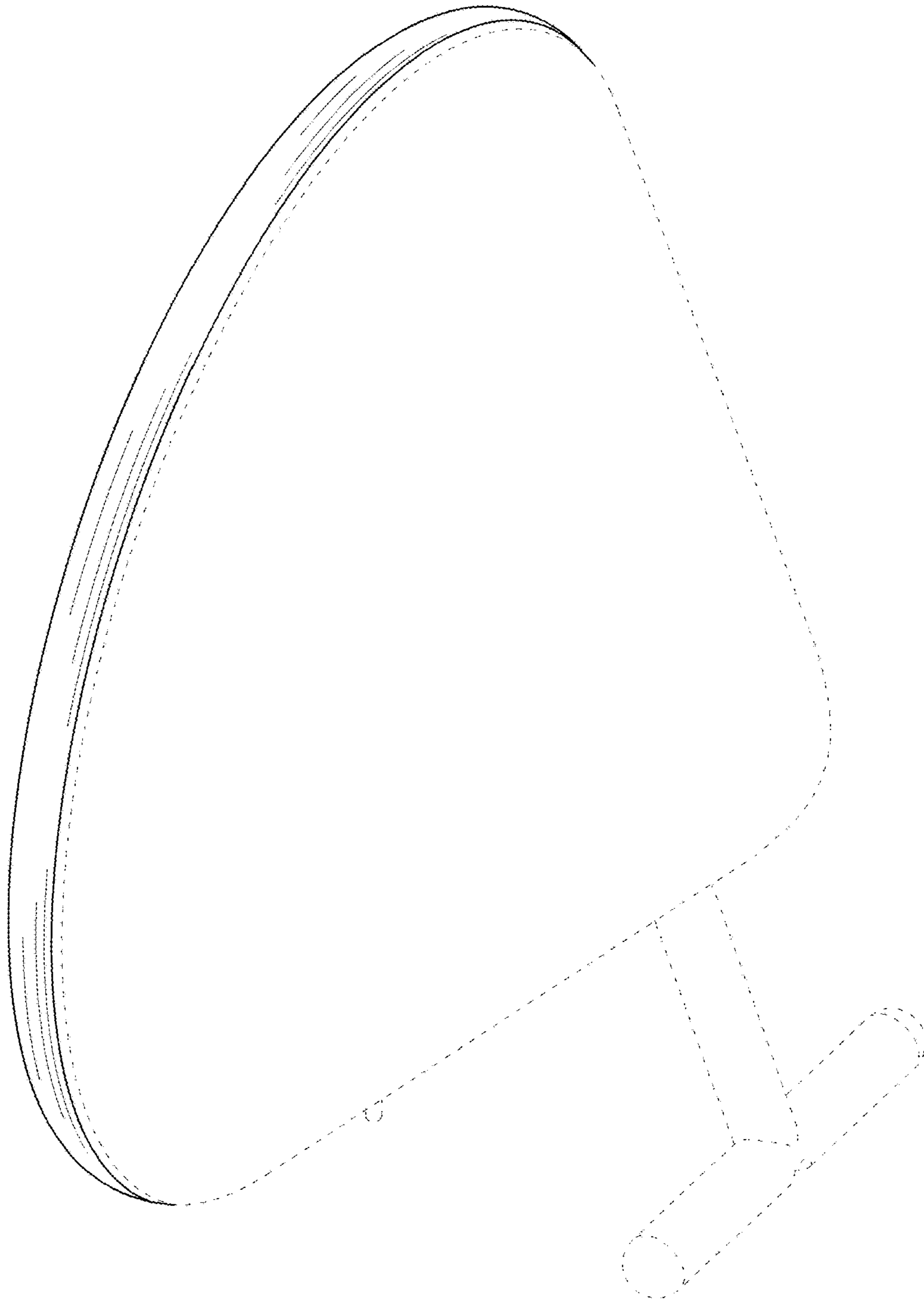


FIG. 10

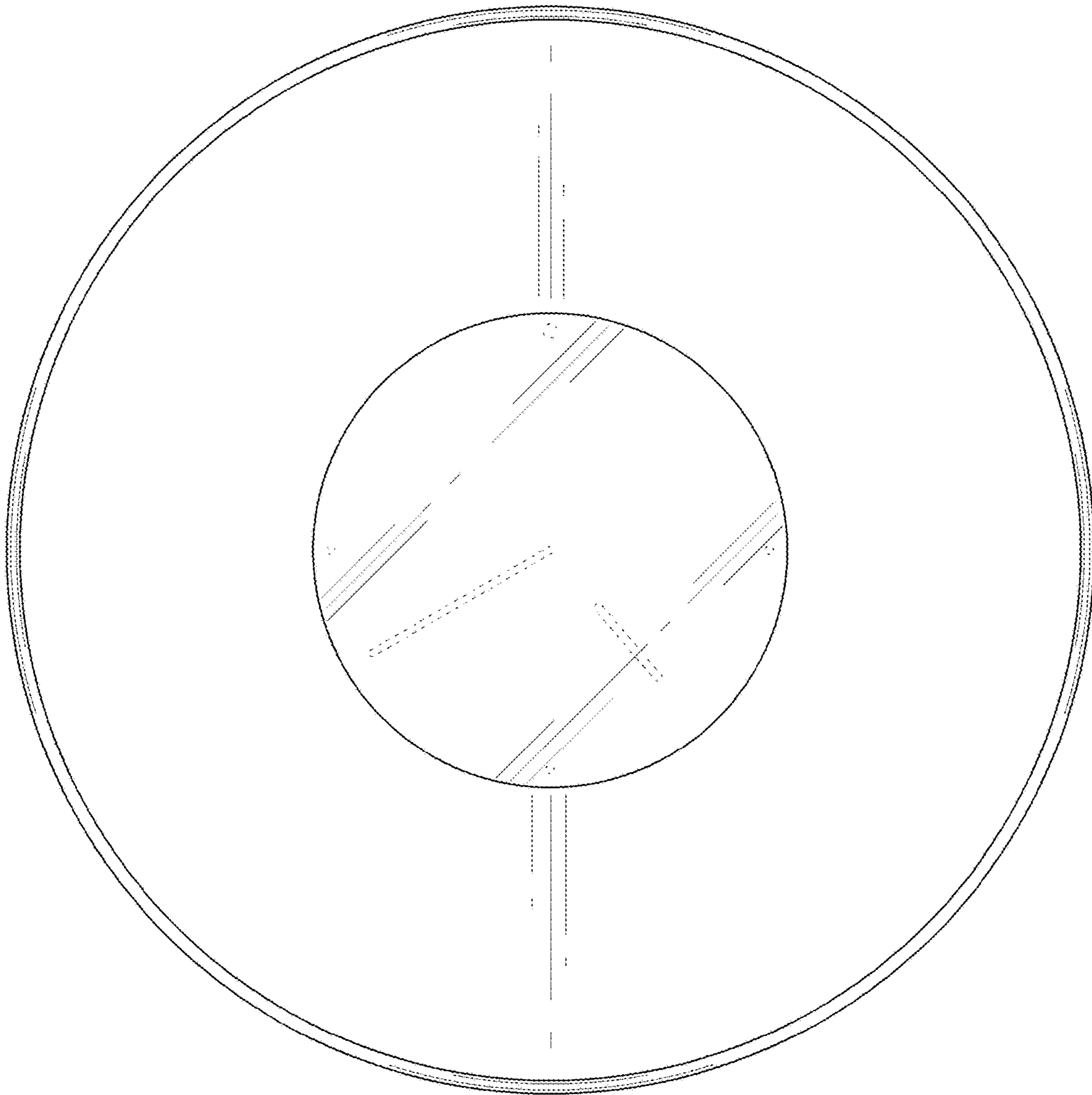


FIG. 11

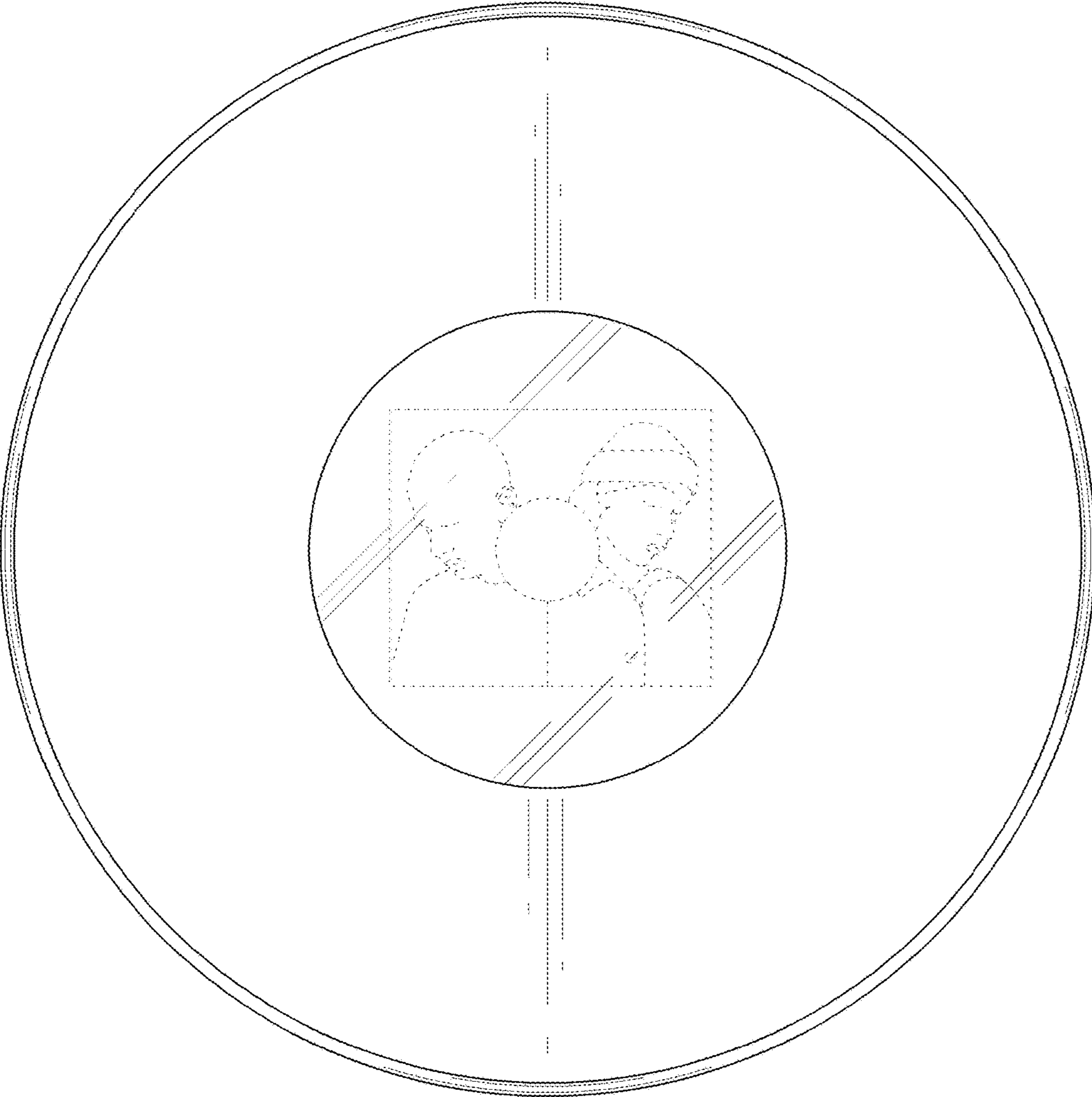


FIG. 12

