



US00D867322S

(12) **United States Design Patent**
Yan

(10) **Patent No.:** **US D867,322 S**

(45) **Date of Patent:** **** Nov. 19, 2019**

(54) **SIGNAL TRANSMITTER OF PET ELECTRIC FENCE**

(71) Applicant: **SHENZHEN TRAINERTEC ELECTRONIC CO., LTD.**, Shenzhen, Guangdong (CN)

(72) Inventor: **Xingwen Yan**, Guangdong (CN)

(73) Assignee: **SHENZHEN TRAINERTEC ELECTRONIC CO., LTD.**, Shenzhen, Guangdong (CN)

(**) Term: **15 Years**

(21) Appl. No.: **29/655,013**

(22) Filed: **Jun. 29, 2018**

(51) **LOC (12) Cl.** **14-03**

(52) **U.S. Cl.**
USPC **D14/155; D13/168; D30/199**

(58) **Field of Classification Search**
USPC D30/199, 108, 119; D13/162, 162.1, D13/168; D10/75, 104.1, 106.1, 106.6, D10/106.9, 106.95; D14/240, 242, 358, D14/137, 140.1, 155, 159, 188, 496, 299
CPC A01K 15/021; A01K 15/023; A01K 15/04; A01K 27/009; A01K 11/006; G08B 21/0261

See application file for complete search history.

(56) **References Cited**

U.S. PATENT DOCUMENTS

D366,457 S *	1/1996	Pilcher	D13/111
D440,509 S *	4/2001	Greene	D30/199
D482,630 S *	11/2003	So	D30/199
D531,584 S *	11/2006	Myers	D13/168
D532,753 S *	11/2006	So	D13/162
D535,902 S *	1/2007	Kaufman	D30/199
D535,973 S *	1/2007	Goetzl	D14/155

D540,774 S *	4/2007	Alwicker	D14/155
D559,841 S *	1/2008	Liu	D14/240
D562,346 S *	2/2008	Lee	D14/168
D571,757 S *	6/2008	Kesler	D14/137
D580,437 S *	11/2008	Kiyomiya	D14/358
D581,880 S *	12/2008	Neitzel	D13/162
D587,708 S *	3/2009	Yoshida	D14/358
D595,684 S *	7/2009	Ganley	D14/155
D622,710 S *	8/2010	Goransson	D14/218
D624,924 S *	10/2010	Lee	D14/480.5
D626,098 S *	10/2010	Jayaram	D14/125
D649,135 S *	11/2011	Hocherman	D14/159
D668,239 S *	10/2012	Marsh	D14/159
D669,072 S *	10/2012	Huang	D14/240
D676,815 S *	2/2013	Gettings	D13/168
D677,230 S *	3/2013	Ooi	D14/137
D683,916 S *	6/2013	So	D30/199
D685,756 S *	7/2013	Liu	D14/155
D685,757 S *	7/2013	Liu	D14/155
D700,148 S *	2/2014	Paul	D13/168
D711,758 S *	8/2014	Heath	D10/104.1
D711,848 S *	8/2014	Liu	D14/155

(Continued)

Primary Examiner — Marie D. Fast Horse

(74) *Attorney, Agent, or Firm* — Juan Carlos A. Marquez; Marquez IP Law Office, PLLC

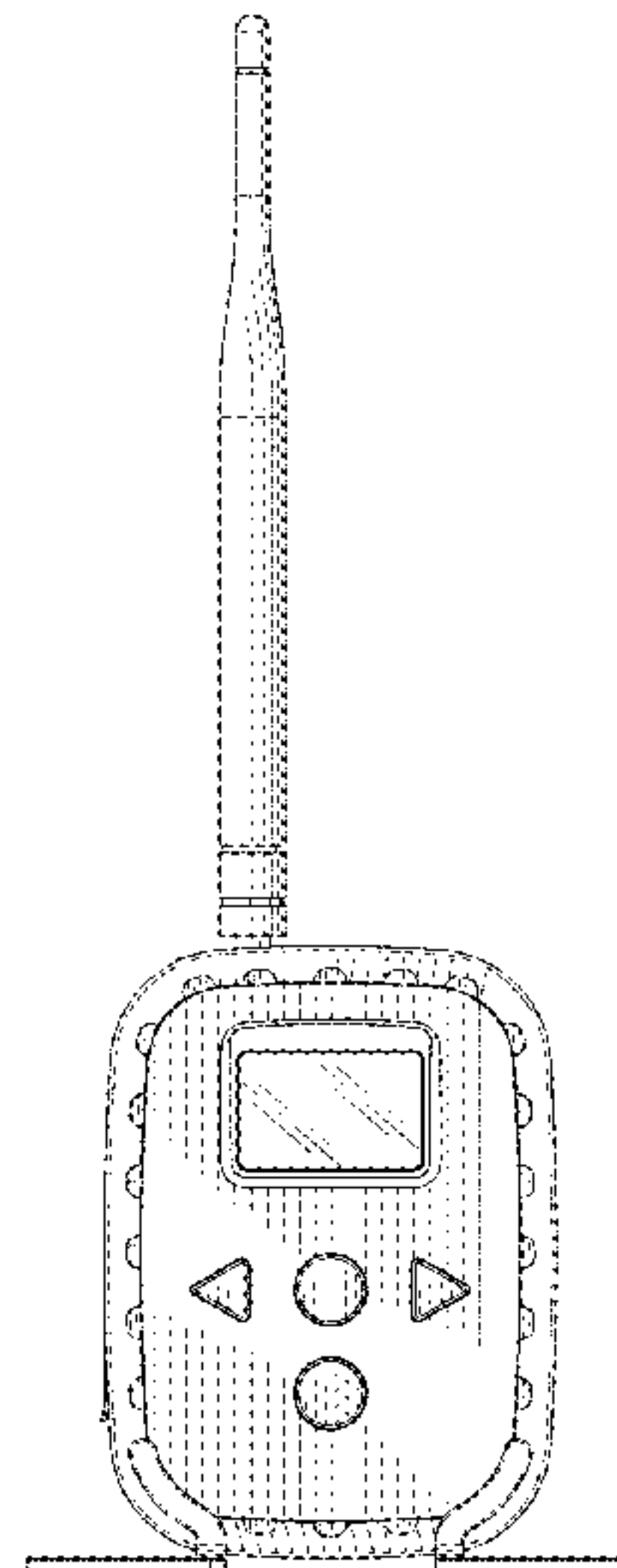
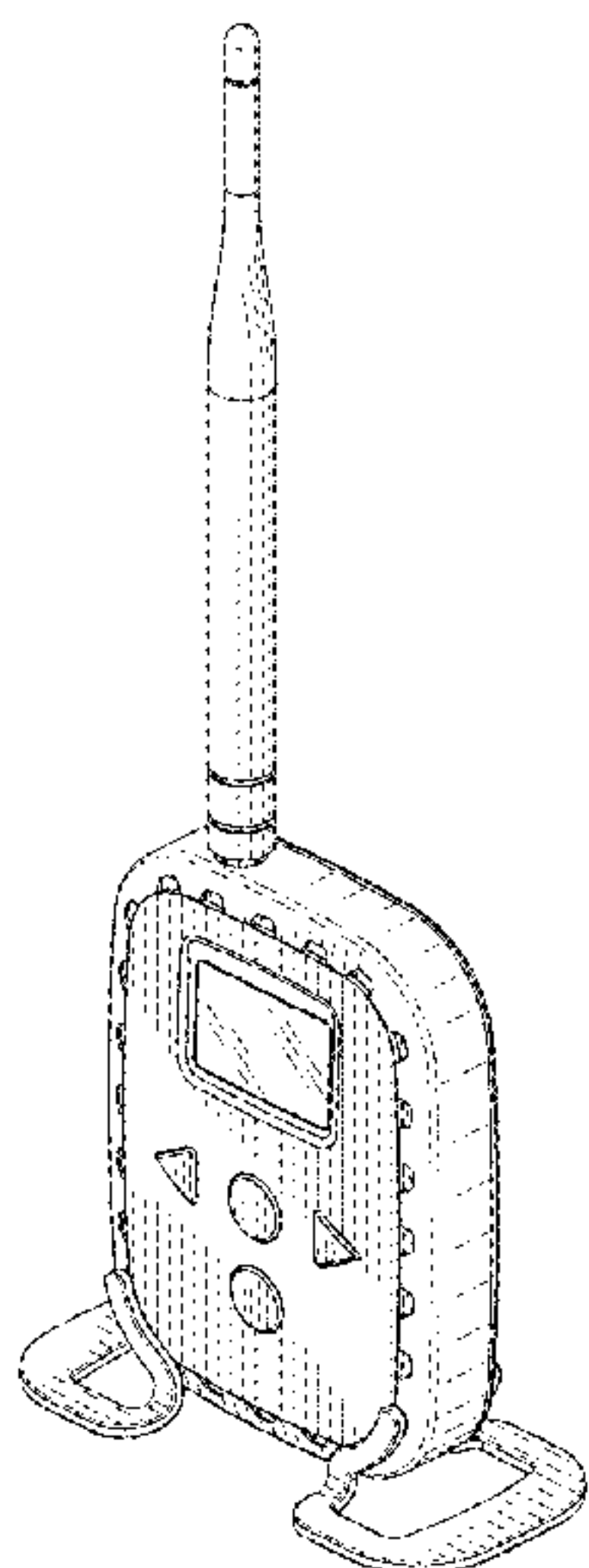
(57) **CLAIM**

I claim the ornamental design for a signal transmitter of pet electric fence, as shown and described.

DESCRIPTION

FIG. 1 is a perspective view of a signal transmitter of pet electric fence, showing my new design;
FIG. 2 is a front view thereof;
FIG. 3 is a rear view thereof;
FIG. 4 is a left-side view thereof;
FIG. 5 is a right-side view thereof;
FIG. 6 is a top view thereof; and,
FIG. 7 is a bottom view thereof.

1 Claim, 6 Drawing Sheets



(56)

References Cited

U.S. PATENT DOCUMENTS

D719,708 S * 12/2014 Ye D10/104.1
D721,861 S * 1/2015 Guo D10/104.1
D736,486 S * 8/2015 Goetzl D30/199
D737,004 S * 8/2015 Russell D30/199
D759,908 S * 6/2016 Russell D30/199
D763,220 S * 8/2016 Deng D14/159
D771,327 S * 11/2016 Hu D10/104.1
D774,935 S * 12/2016 Liu D10/104.1
D789,905 S * 6/2017 Liu D14/159
D790,538 S * 6/2017 Saimen D14/240
D805,701 S * 12/2017 Li D30/199
D813,473 S * 3/2018 Ni D30/199
D815,372 S * 4/2018 Goetzl D30/199
D815,626 S * 4/2018 Clover D14/242
D822,516 S * 7/2018 Van Curen D10/104.1
D831,600 S * 10/2018 Aihsan D14/137
D832,253 S * 10/2018 Delibie D14/358
D835,860 S * 12/2018 Li D30/199
D835,861 S * 12/2018 Li D30/199
D841,610 S * 2/2019 Novin D14/137
D842,830 S * 3/2019 Nishida D14/137
D846,505 S * 4/2019 Becker D13/168
D846,525 S * 4/2019 Wu D14/159
D851,618 S * 6/2019 Zhong D14/159
D853,345 S * 7/2019 Nishida D14/137
2008/0190378 A1 * 8/2008 Tracy A01K 15/021
119/720
2012/0272924 A1 * 11/2012 So A01K 15/021
119/720
2014/0232541 A1 * 8/2014 Trenkle G08B 25/10
340/539.13
2014/0261233 A1 * 9/2014 So A01K 27/009
119/720

* cited by examiner

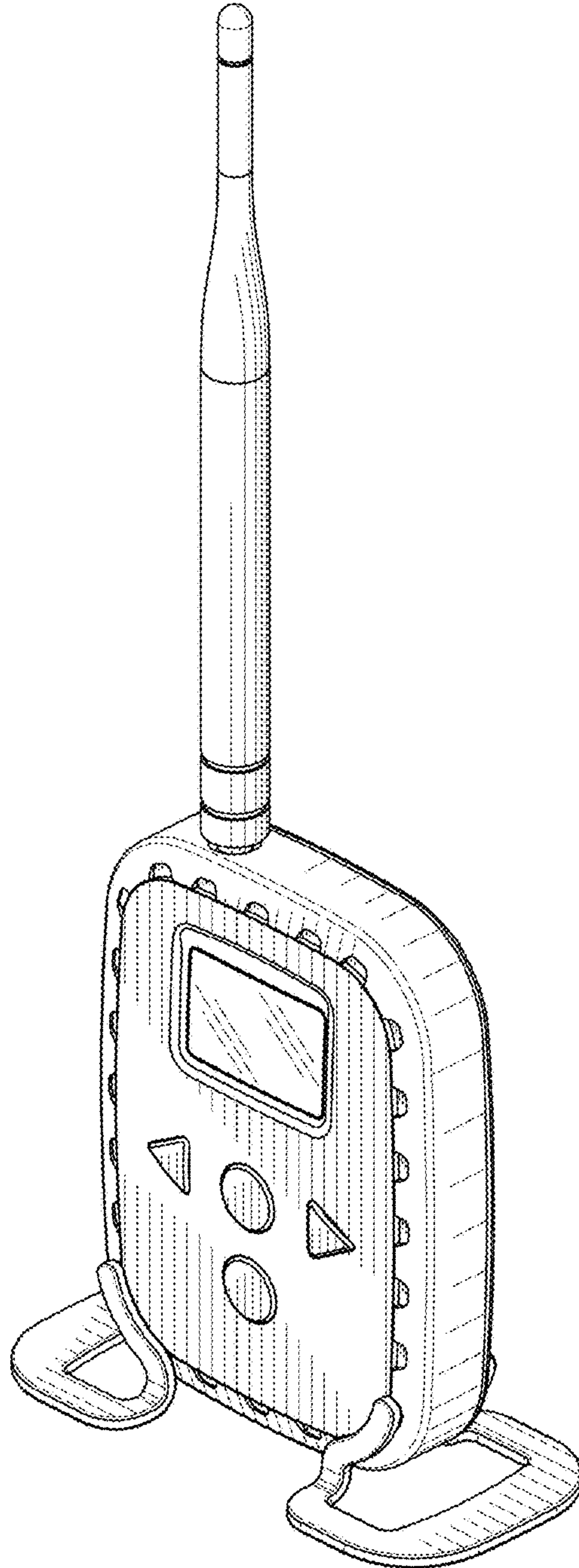


FIG. 1

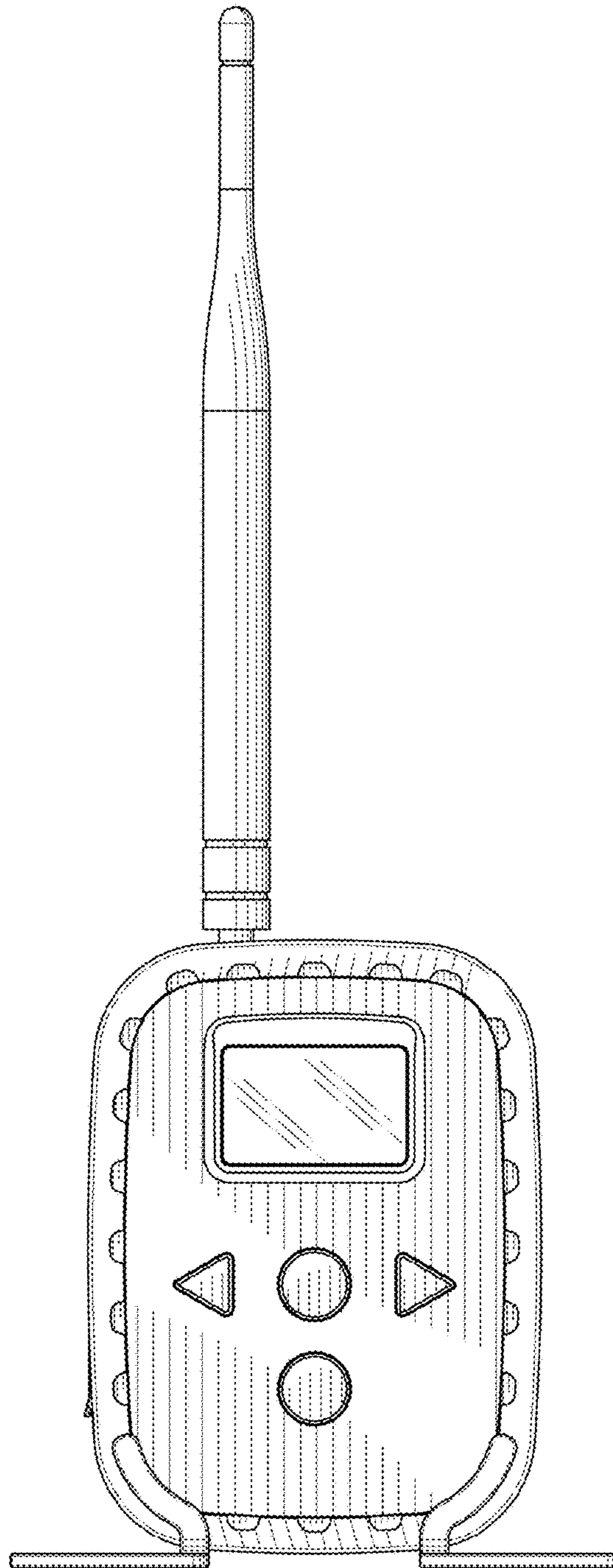


FIG. 2

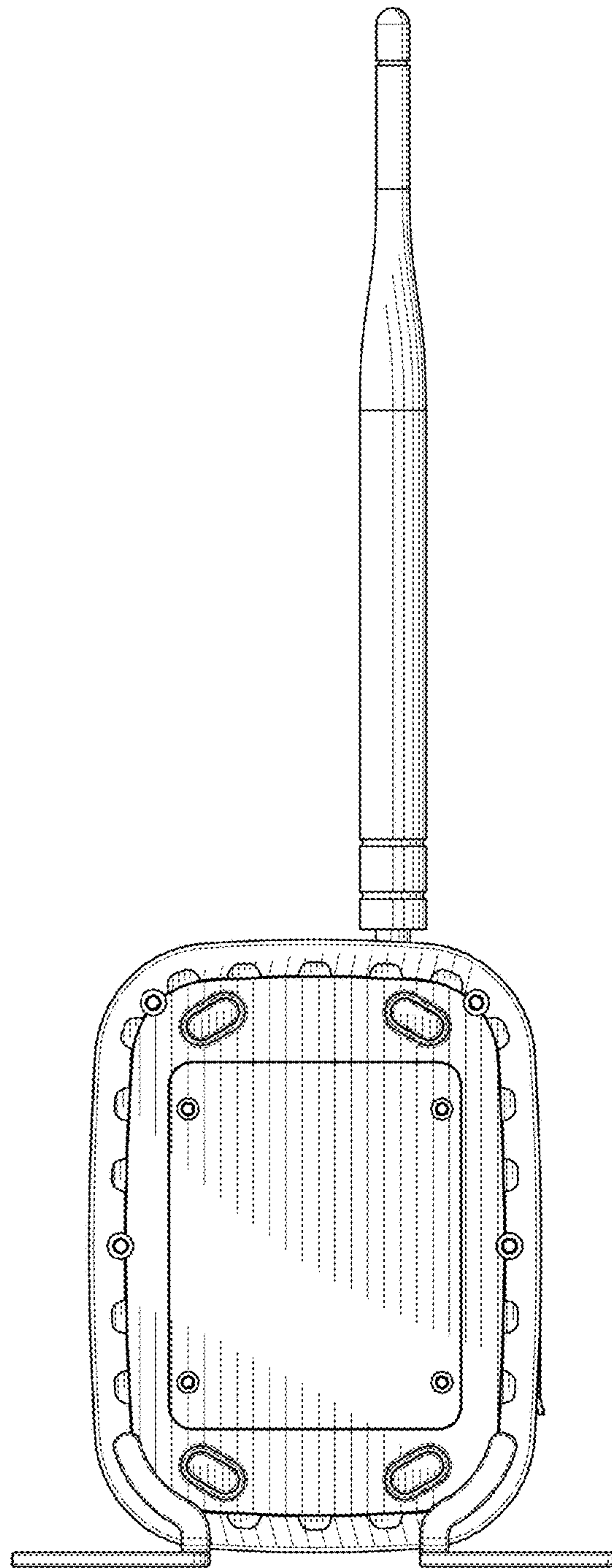


FIG. 3

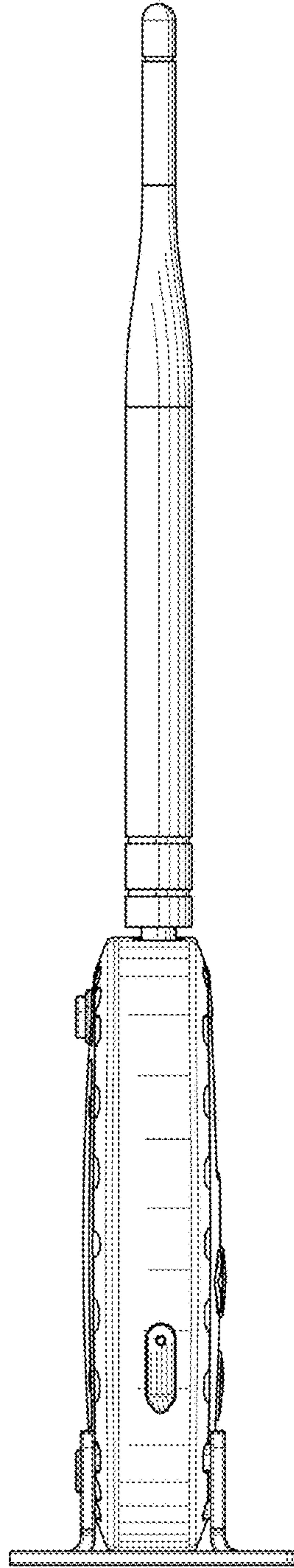


FIG. 4

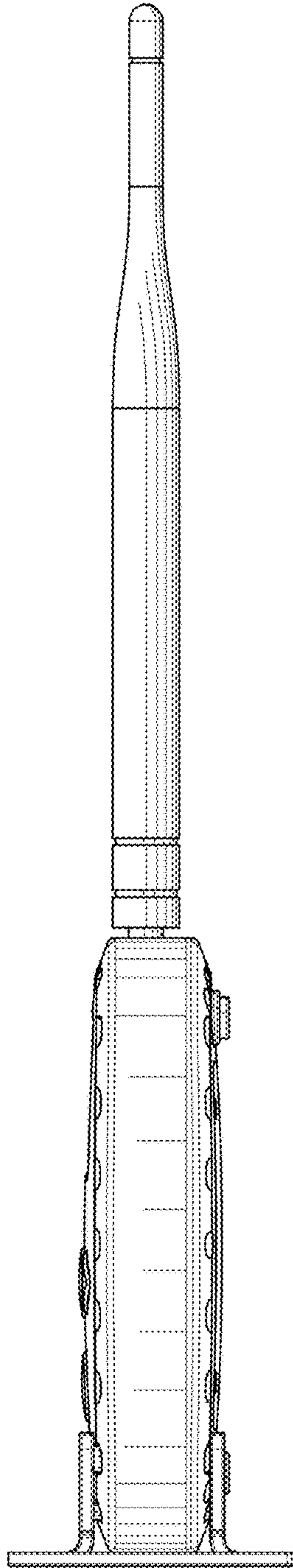


FIG. 5

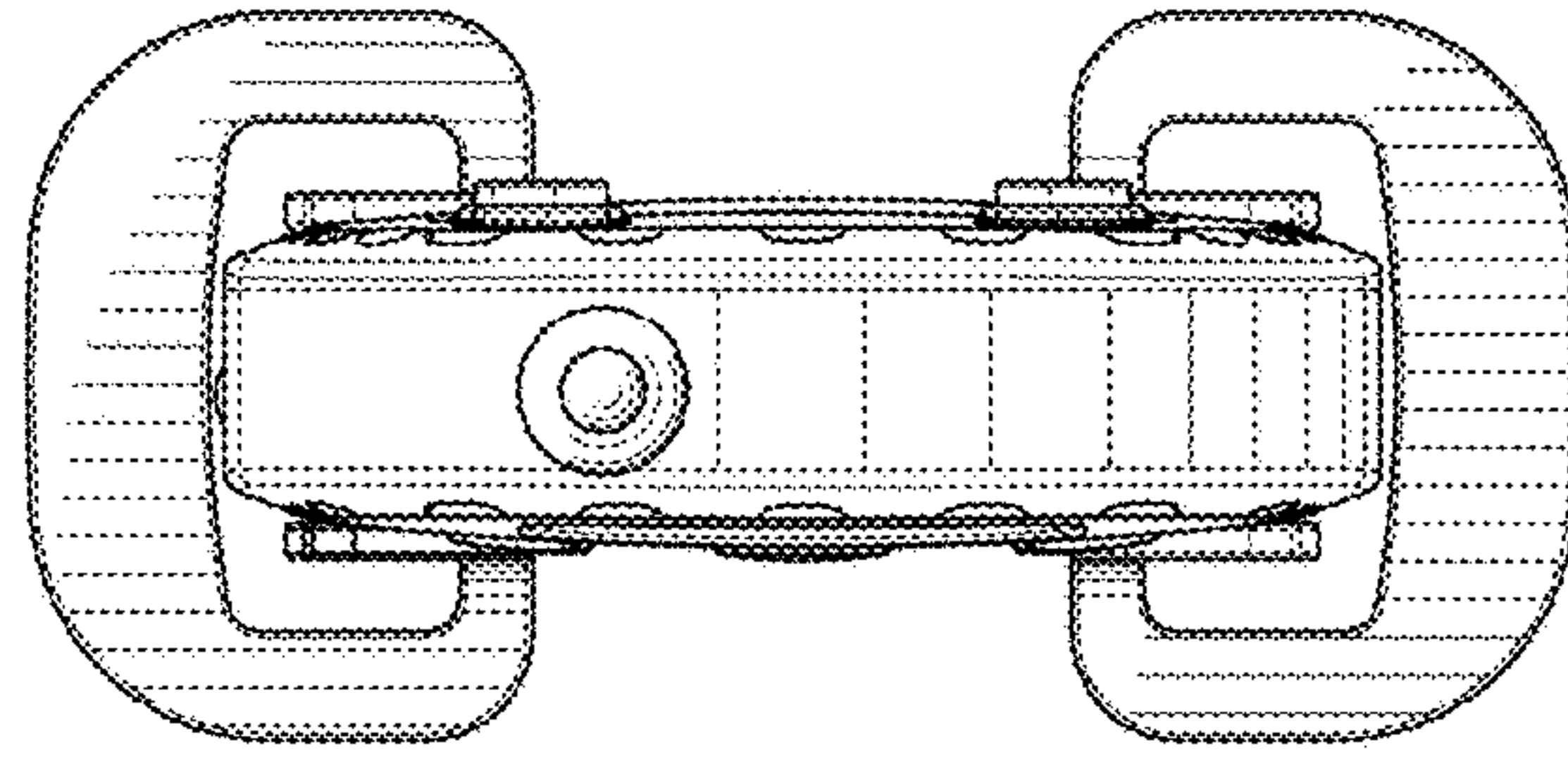


FIG. 6

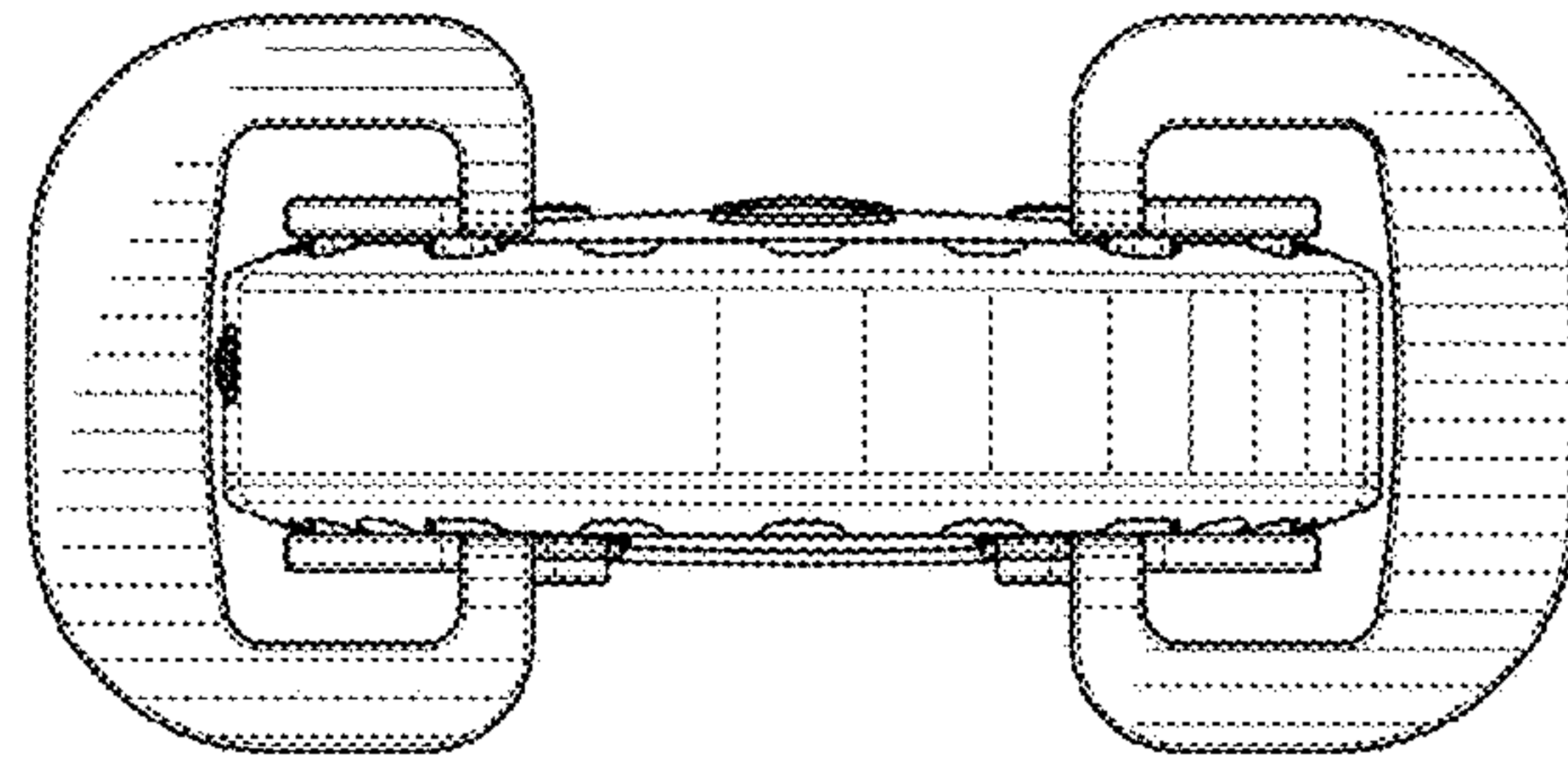


FIG. 7