



US00D867308S

(12) **United States Design Patent** (10) **Patent No.:** **US D867,308 S**
Dimberg et al. (45) **Date of Patent:** **** *Nov. 19, 2019**

(54) **TABLETOP REMOTE LOAD CONTROL DEVICE**

(71) Applicant: **Lutron Technology Company LLC**,
Coopersburg, PA (US)

(72) Inventors: **Chris Dimberg**, Easton, PA (US);
Elliot G. Jacoby, Glenside, PA (US);
Jason C. Killo, Emmaus, PA (US);
Brad M. Kreschollek, Bethlehem, PA
(US); **Matthew P. McDonald**,
Phoenixville, PA (US)

(73) Assignee: **Lutron Technology Company LLC**,
Coopersburg, PA (US)

(*) Notice: This patent is subject to a terminal disclaimer.

(**) Term: **15 Years**

(21) Appl. No.: **29/609,978**

(22) Filed: **Jul. 7, 2017**

Related U.S. Application Data

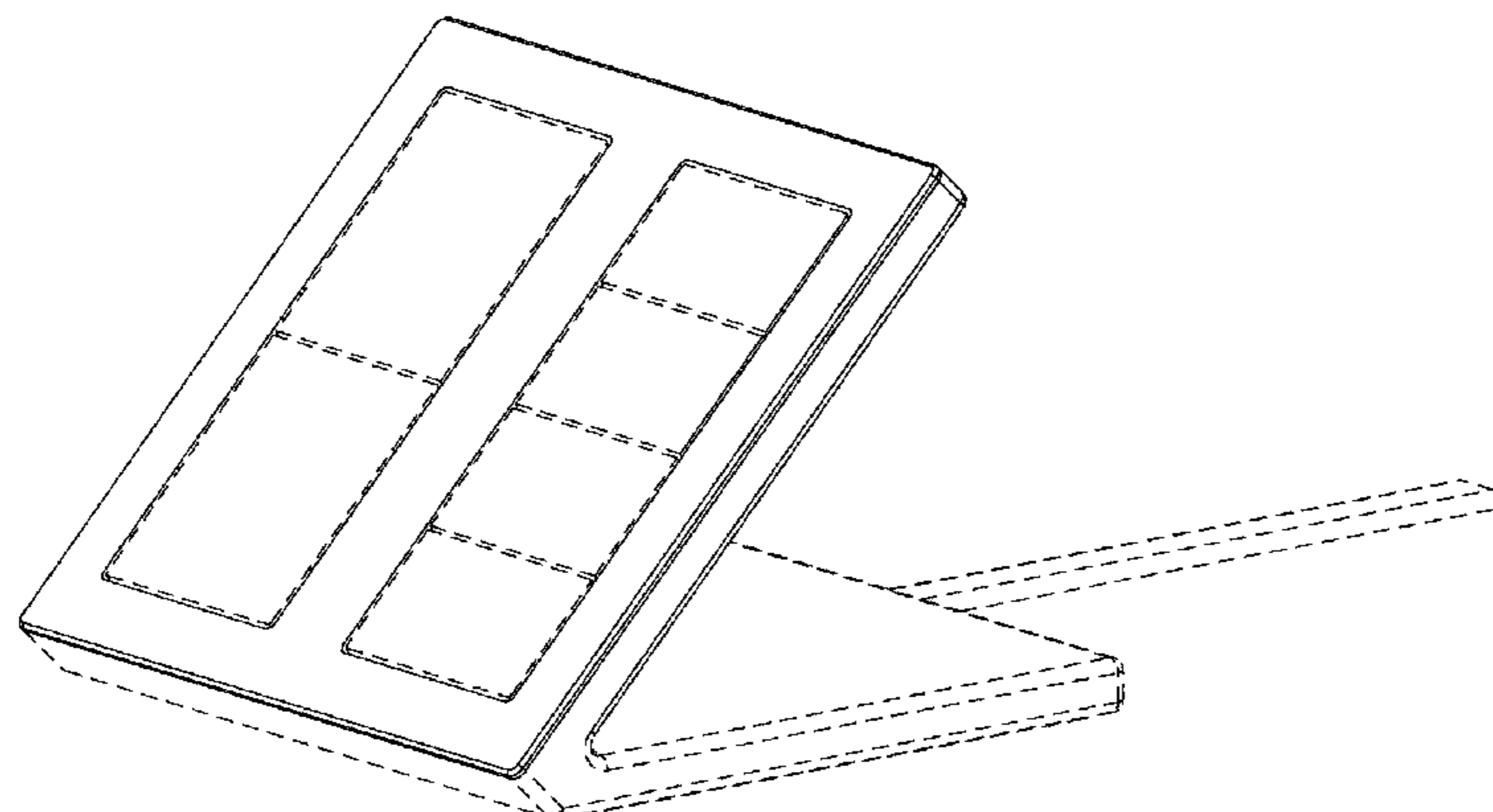
(60) Continuation of application No. 29/575,110, filed on
Aug. 22, 2016, now Pat. No. Des. 795,202, which is
(Continued)

(51) **LOC (12) Cl.** **14-03**

(52) **U.S. Cl.**
USPC **D13/168**

(58) **Field of Classification Search**
USPC D13/164, 168; D10/104.12, 106.1;
D14/218
CPC H03J 1/0025; H03J 9/00; H03J 9/02; H03J
9/04; H03J 9/06; H01H 2009/187; H01H
9/02; H01H 9/0214; H01H 9/0242; H01H
9/18; H05B 37/02; H05B 37/0272; H05B
39/088; H05B 33/0845; G08C 17/00;
G08C

(Continued)



(56) **References Cited**

U.S. PATENT DOCUMENTS

4,199,883 A 4/1980 Cross
D259,184 S 5/1981 Francis et al.

(Continued)

FOREIGN PATENT DOCUMENTS

CA 123790 S 6/2009

OTHER PUBLICATIONS

U.S. Appl. No. 29/575,107, filed Aug. 22, 2016 (unpublished).

(Continued)

Primary Examiner — Selina Sikder

(74) *Attorney, Agent, or Firm* — Glen R. Farbanish; Amy
E. Yanek; Philip N. Smith

(57) **CLAIM**

We claim the ornamental design for a tabletop remote load control device, as shown and described.

DESCRIPTION

This is a continuation application of U.S. Design patent application Ser. No. 29/575,106, filed Aug. 22, 2016.

FIG. 1 is a perspective view of a tabletop remote load control device.

FIG. 2 is a top view thereof.

FIG. 3 is a left side view thereof.

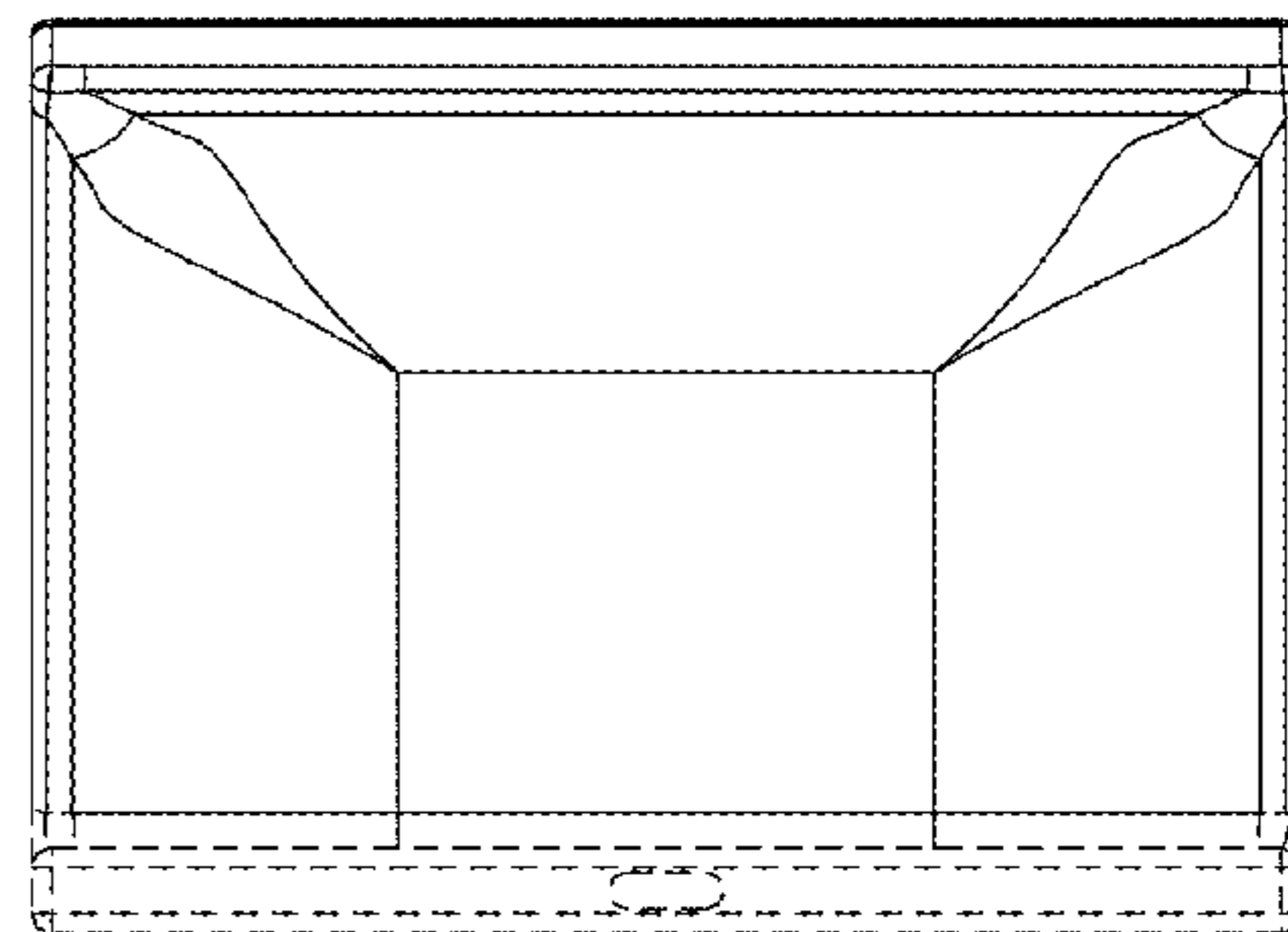
FIG. 4 is a right side view thereof.

FIG. 5 is a front view thereof; and,

FIG. 6 is a rear view thereof.

The bottom view forms no part of the design and is omitted. The broken lines showing portions of the tabletop remote load control device are for the purpose of illustrating environmental structure and form no part of the claimed design.

1 Claim, 4 Drawing Sheets



Related U.S. Application Data

a division of application No. 29/512,028, filed on Dec. 16, 2014, now Pat. No. Des. 767,508.

(58) **Field of Classification Search**

CPC 17/02; G08C 19/28; G08C 23/02; G08C 23/04

See application file for complete search history.

(56) **References Cited**

U.S. PATENT DOCUMENTS

4,496,127	A	1/1985	Nelson	
D278,109	S	3/1985	Leeds	
D329,609	S	9/1992	Wolff	
D348,481	S	7/1994	Grant	
D367,647	S	3/1996	Faggard et al.	
D370,355	S	6/1996	Kenney	
5,876,106	A	3/1999	Kordecki	
D416,284	S	11/1999	O'Malley	
6,120,262	A	9/2000	McDonough et al.	
D440,542	S	4/2001	Hawkins et al.	
D450,043	S	11/2001	Mosebrook	
D496,335	S	9/2004	Spira	
D511,110	S	11/2005	Rodela	
D537,046	S	2/2007	Blair et al.	
7,312,695	B2	12/2007	Lehmer et al.	
D559,559	S	1/2008	Butcher	
D576,564	S	9/2008	Hewson et al.	
D622,078	S *	8/2010	Stukenberg	D6/682.6
D626,092	S	10/2010	Clymer et al.	
D627,307	S	11/2010	Petrillo et al.	
D631,855	S	2/2011	Blair et al.	
D633,874	S	3/2011	Feldstein et al.	

D636,739	S	4/2011	Petrillo et al.	
D641,175	S *	7/2011	Tang	D6/301
D647,066	S	10/2011	Jacoby et al.	
D649,123	S	11/2011	Jacoby et al.	
D658,594	S	5/2012	Felegy et al.	
D661,266	S	6/2012	Laube et al.	
D666,619	S *	9/2012	May	D14/447
D669,038	S	10/2012	Felegy, Jr. et al.	
8,469,204	B1	6/2013	Bradshaw	
D691,818	S *	10/2013	Shibata	D6/308
D694,197	S	11/2013	Felegy, Jr. et al.	
D694,716	S	12/2013	Felegy, Jr. et al.	
D704,151	S	5/2014	Jacoby et al.	
D712,867	S	9/2014	Vats	
D718,724	S	12/2014	Clymer et al.	
D733,076	S	6/2015	Jacoby et al.	
D733,667	S	7/2015	Jacoby et al.	
D749,564	S	2/2016	Cho et al.	
D760,214	S	6/2016	Kemper	
D767,508	S	9/2016	Dimberg et al.	
D774,485	S *	12/2016	Kano	D14/126
D794,580	S *	8/2017	Dimberg	D13/168
D795,202	S *	8/2017	Dimberg	D13/168
2002/0135974	A1	9/2002	Bell et al.	
2012/0013450	A1	1/2012	Lee et al.	

OTHER PUBLICATIONS

Lutron Electronics Co., Inc., Stanza Hotel Guestroom Light Control Brochure, Feb. 20, 2008, 12 pages.
 Vantage Controls Inc., Vantage Online Binder, 2004, pp. 1, 3-4, 7, 33-34, 113.
 Lutron Electronics Co., Inc., Residential Lighting Control Catalog, 2001, front cover, p. 79, rear cover.

* cited by examiner

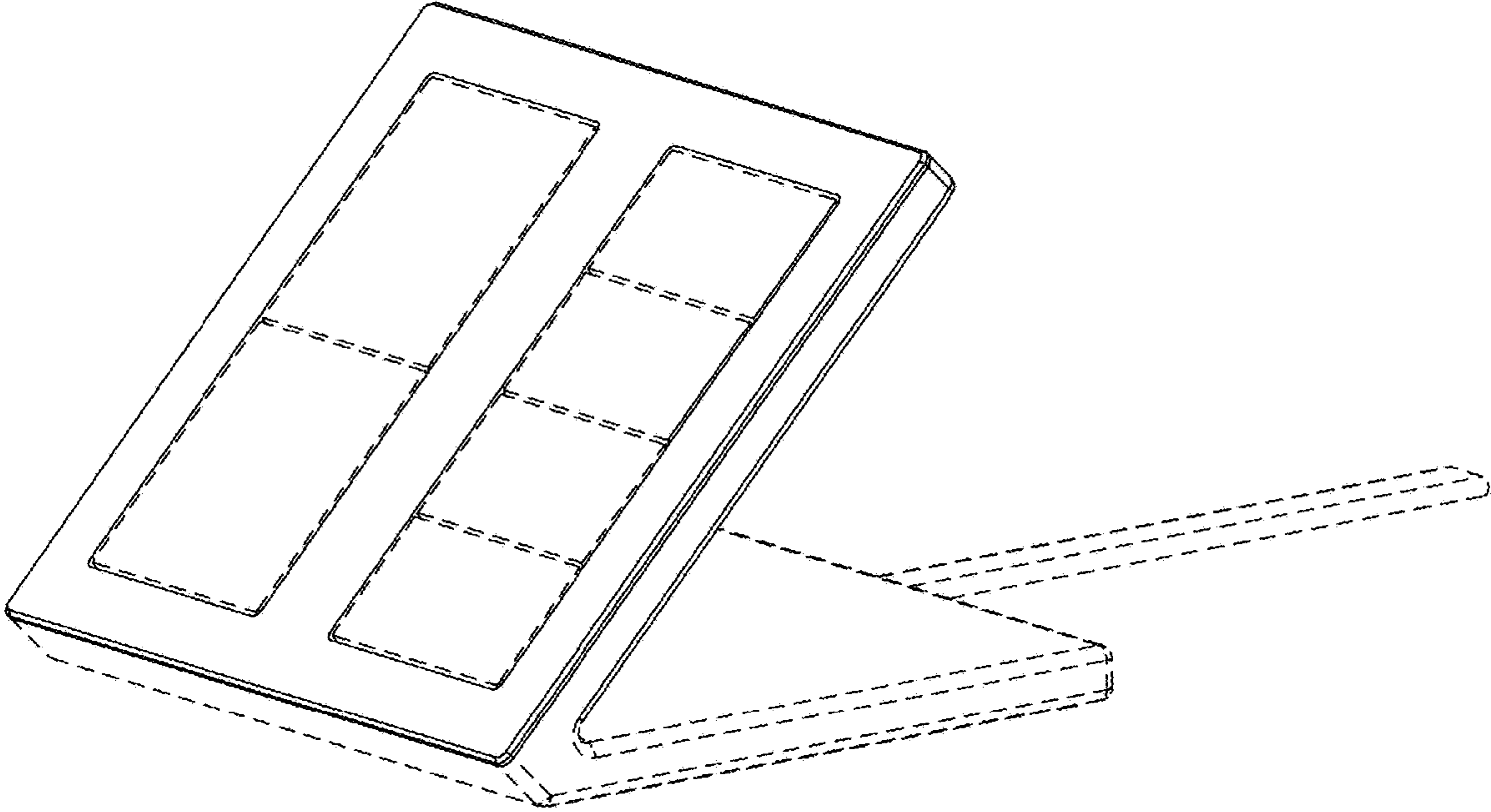


Fig. 1

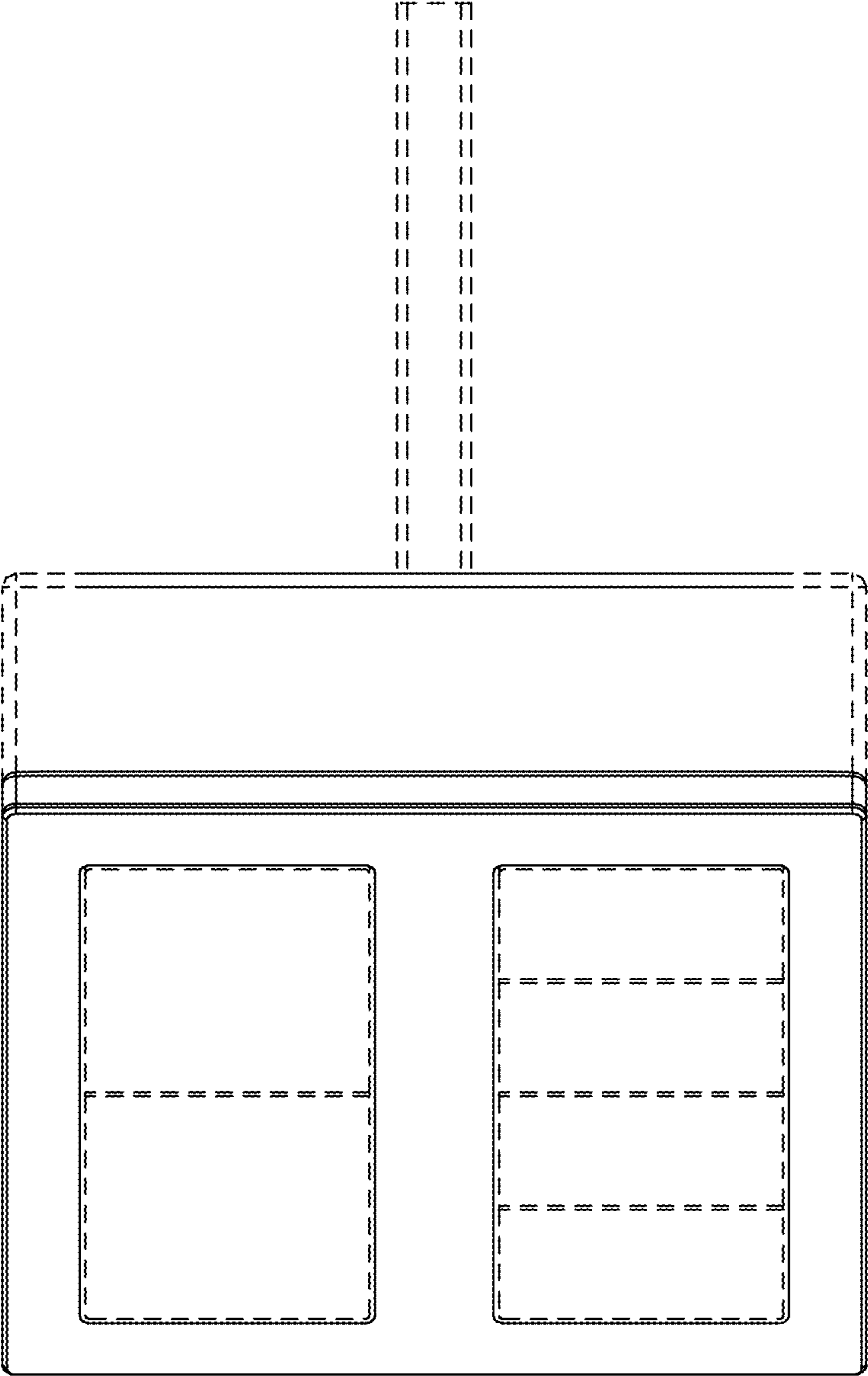


Fig. 2

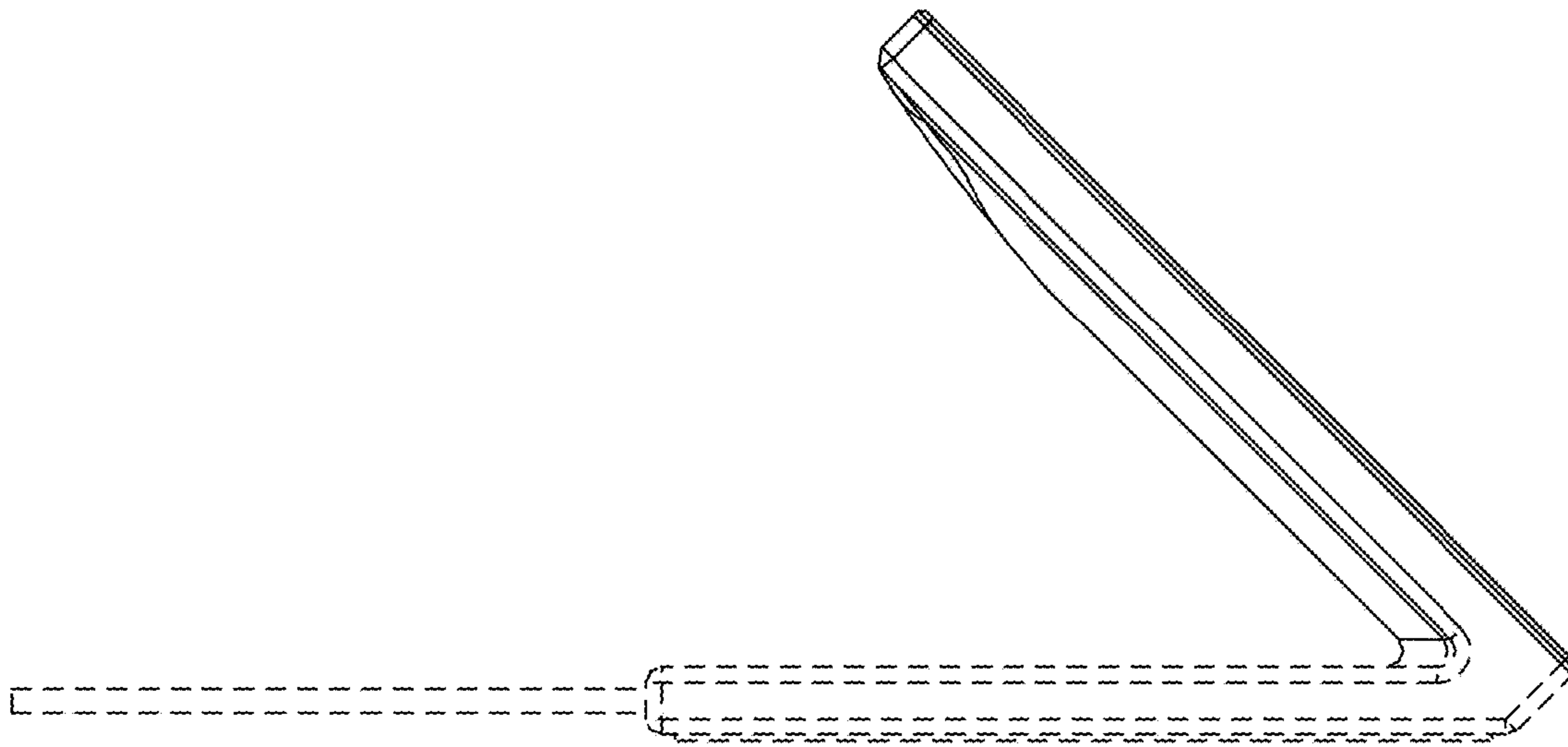


Fig. 3

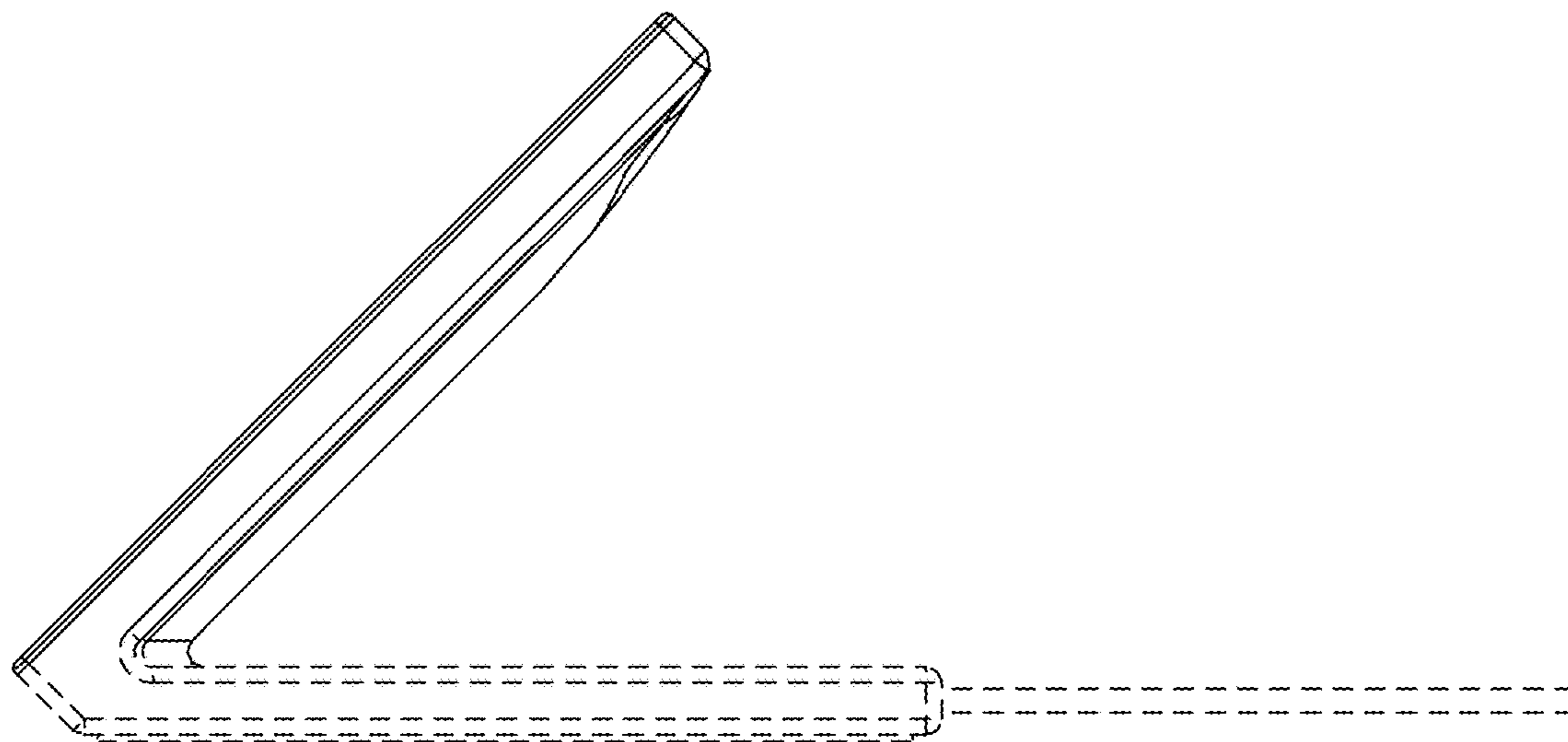


Fig. 4

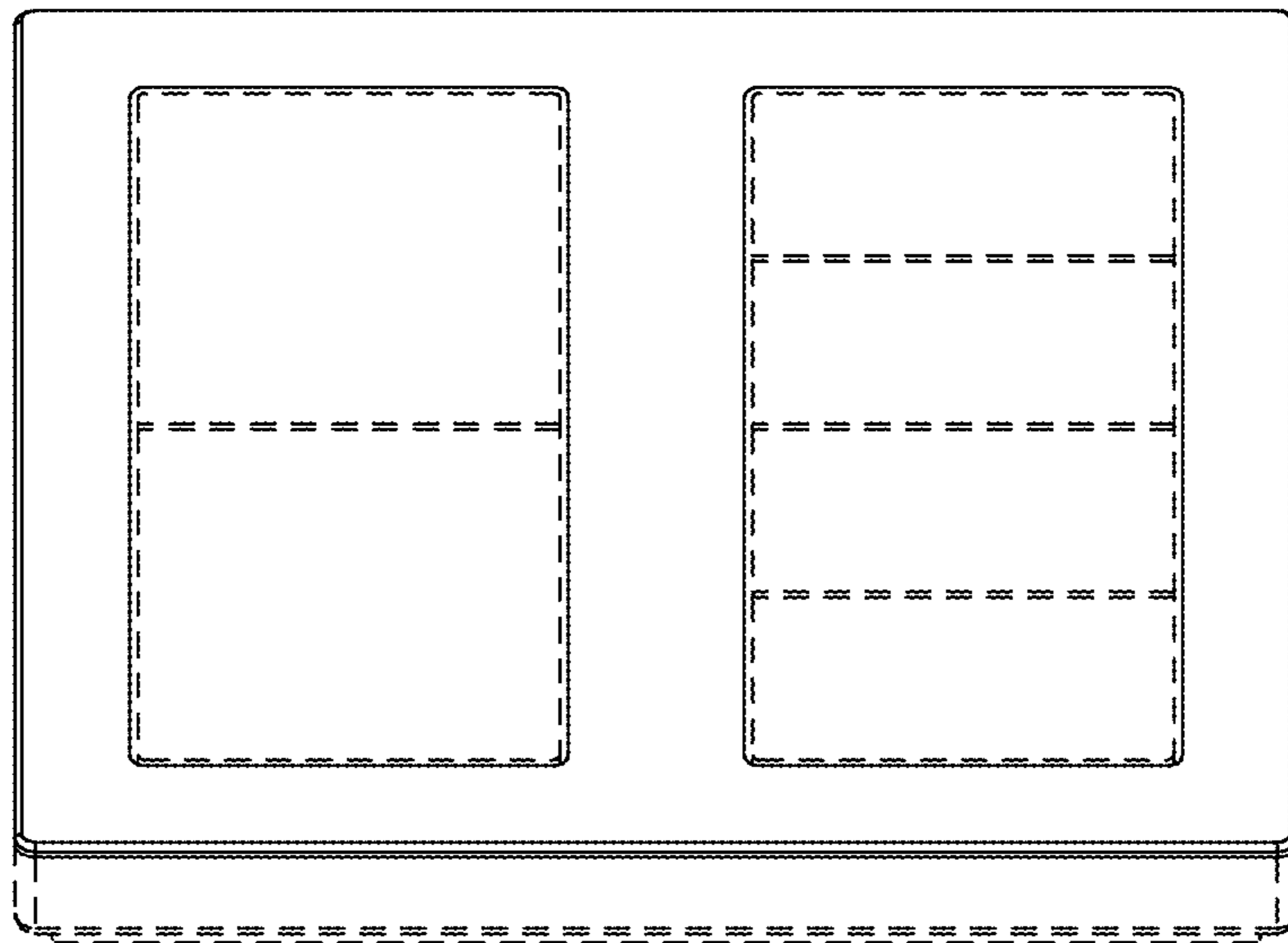


Fig. 5

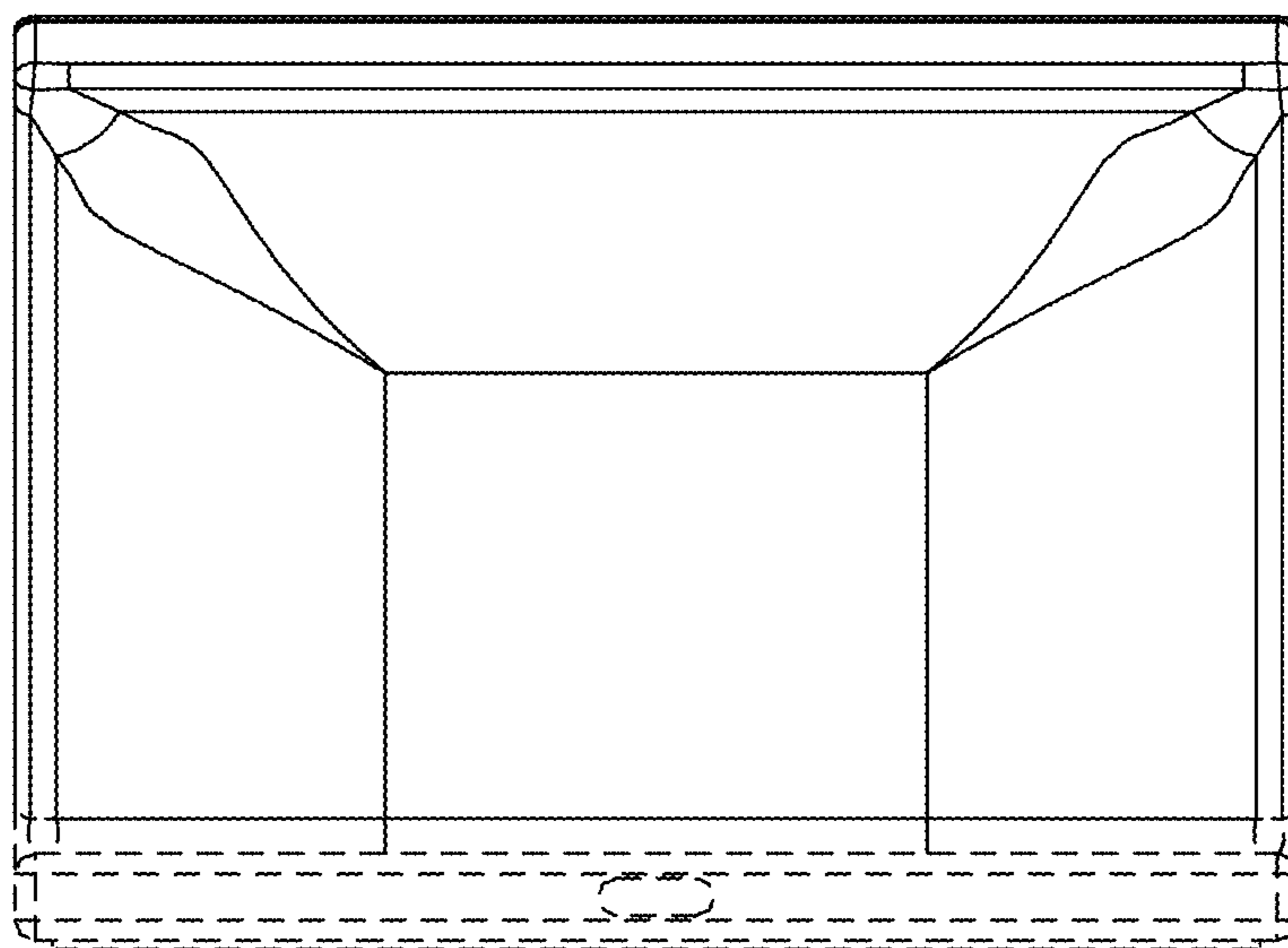


Fig. 6