



US00D867307S

(12) **United States Design Patent**
Braaten et al.

(10) **Patent No.:** **US D867,307 S**

(45) **Date of Patent:** **** Nov. 19, 2019**

(54) **FOOT SWITCH**

(71) Applicant: **CONNTROL INTERNATIONAL, INC.**, Putnam, CT (US)

(72) Inventors: **Ronald Braaten**, Woodstock, CT (US);
Jason Braaten, Woodstock, CT (US)

(73) Assignee: **CONNTROL INTERNATIONAL, INC.**, Putnam, CT (US)

(**) Term: **15 Years**

(21) Appl. No.: **29/641,200**

(22) Filed: **Mar. 20, 2018**

(51) **LOC (12) Cl.** **13-03**

(52) **U.S. Cl.**
USPC **D13/167**

(58) **Field of Classification Search**
USPC D13/164, 167; D15/72; D17/20, 99;
D24/179

CPC .. G10H 1/0002; G10H 1/0008; G10H 1/0058;
G10H 1/0556; G10H 1/32; G10H 1/34;
G10H 1/344; G10H 1/46; G10H 1/348;
G10H 3/146; H01H 211/26; H01H 13/14;
H01H 13/16; H01H 3/14; G06F 3/0034;
A61G 13/02; A61C 1/0023

See application file for complete search history.

(56) **References Cited**

U.S. PATENT DOCUMENTS

D450,661 S * 11/2001 Weisz D13/167
D478,323 S * 8/2003 Peterson D13/167
D586,919 S * 2/2009 Nielsen D13/167
D623,209 S * 9/2010 Matuschek D13/167
D665,756 S * 8/2012 Tseng D13/167

D708,593 S * 7/2014 Lynn D13/179
D715,924 S * 10/2014 Green D24/127
D727,498 S * 4/2015 Creed D13/167
D848,380 S * 5/2019 Yasutomi D13/167
2002/0137007 A1* 9/2002 Beerstecher A61C 1/0023
433/101
2004/0035242 A1* 2/2004 Peterson G05G 1/30
74/560
2007/0152508 A1* 7/2007 Mezhinsky A61F 9/00736
307/119
2008/0229914 A1* 9/2008 Nathaniel G10H 1/348
84/644
2013/0168212 A1* 7/2013 Tseng H01H 13/16
200/86.5
2018/0280099 A1* 10/2018 Cone A61B 34/74

* cited by examiner

Primary Examiner — Selina Sikder

(74) *Attorney, Agent, or Firm* — Cantor Colburn LLP

(57) **CLAIM**

We claim, the ornamental design for a foot switch, as shown and described.

DESCRIPTION

FIG. 1 is a rear perspective view of a foot switch, showing our new design;

FIG. 2 is a front perspective view thereof;

FIG. 3 is a front elevation view thereof;

FIG. 4 is a rear elevation view thereof;

FIG. 5 is a first side view thereof;

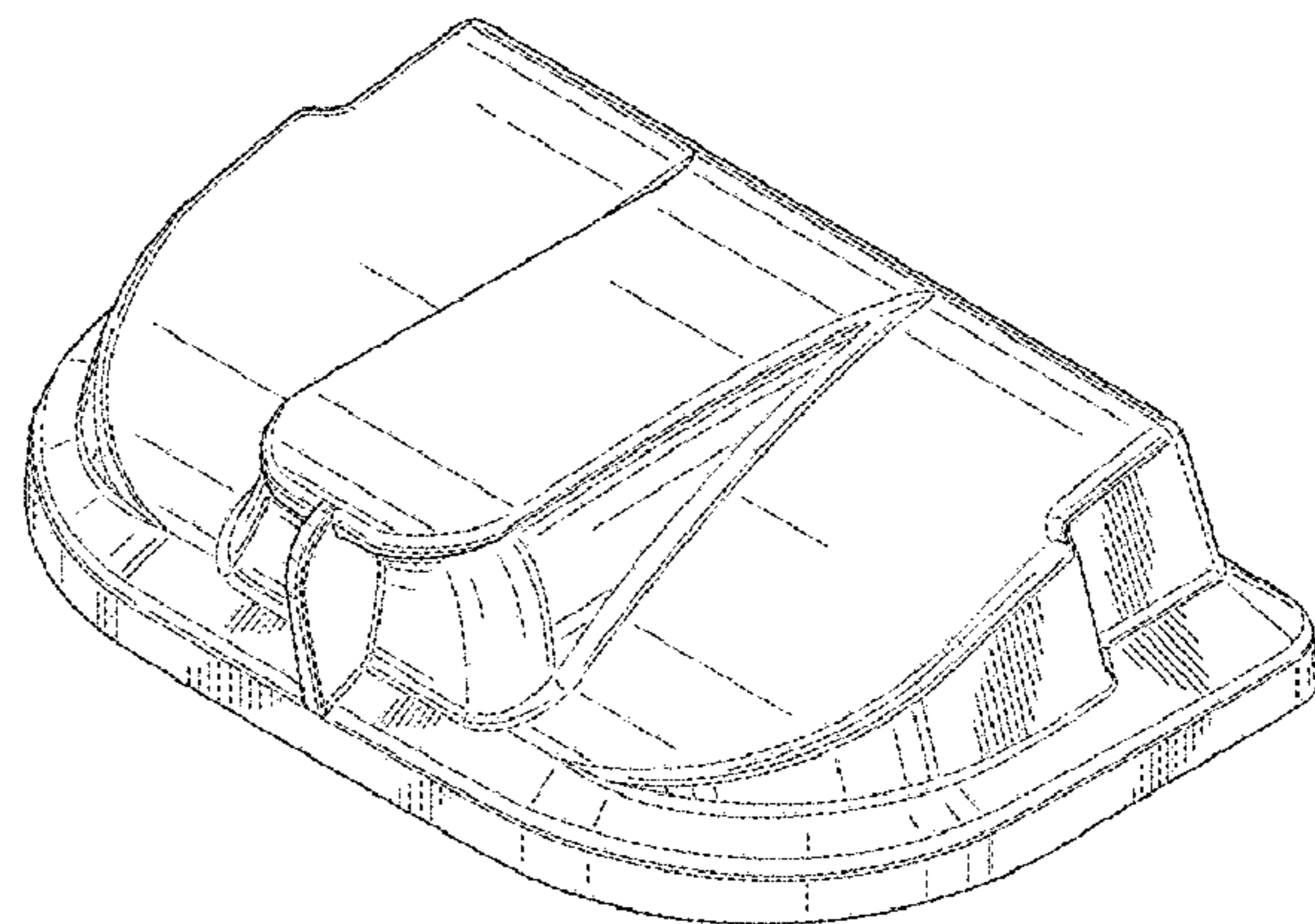
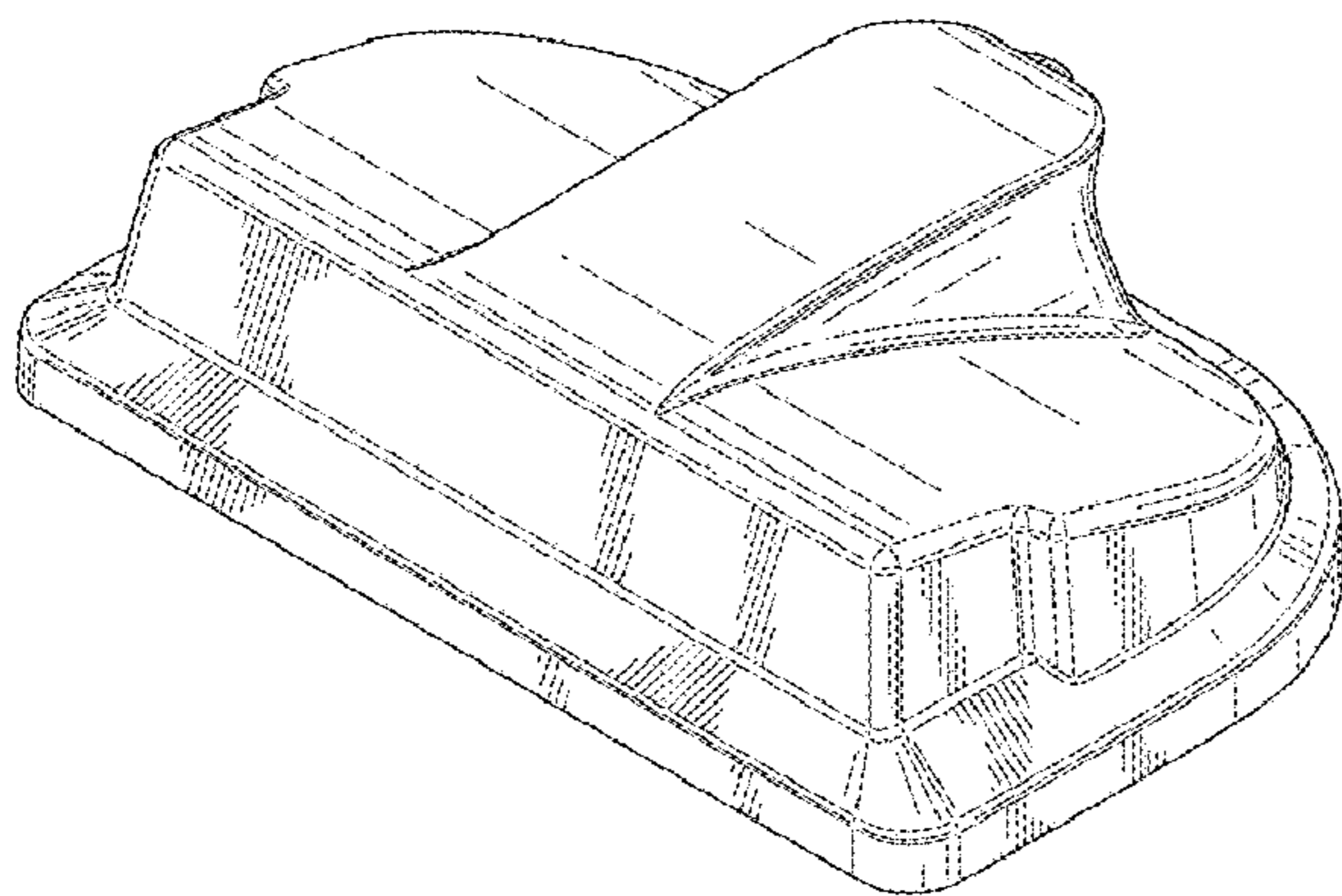
FIG. 6 is a second side view thereof, taken opposite from the first side view;

FIG. 7 is a top view thereof; and,

FIG. 8 is a bottom view thereof.

The portions shown in broken lines are disclaimed and form no part of the claimed subject matter.

1 Claim, 5 Drawing Sheets



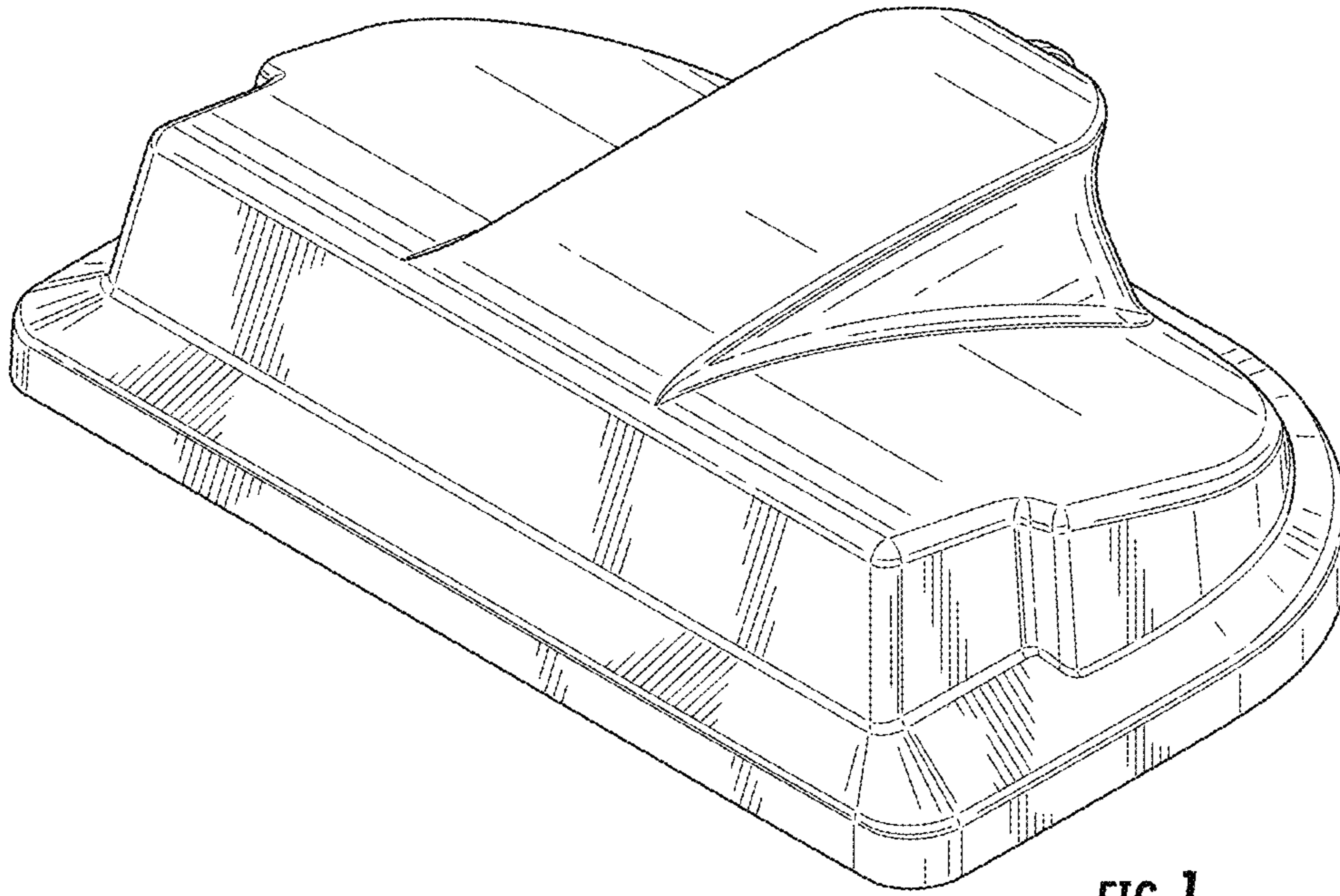


FIG. 1

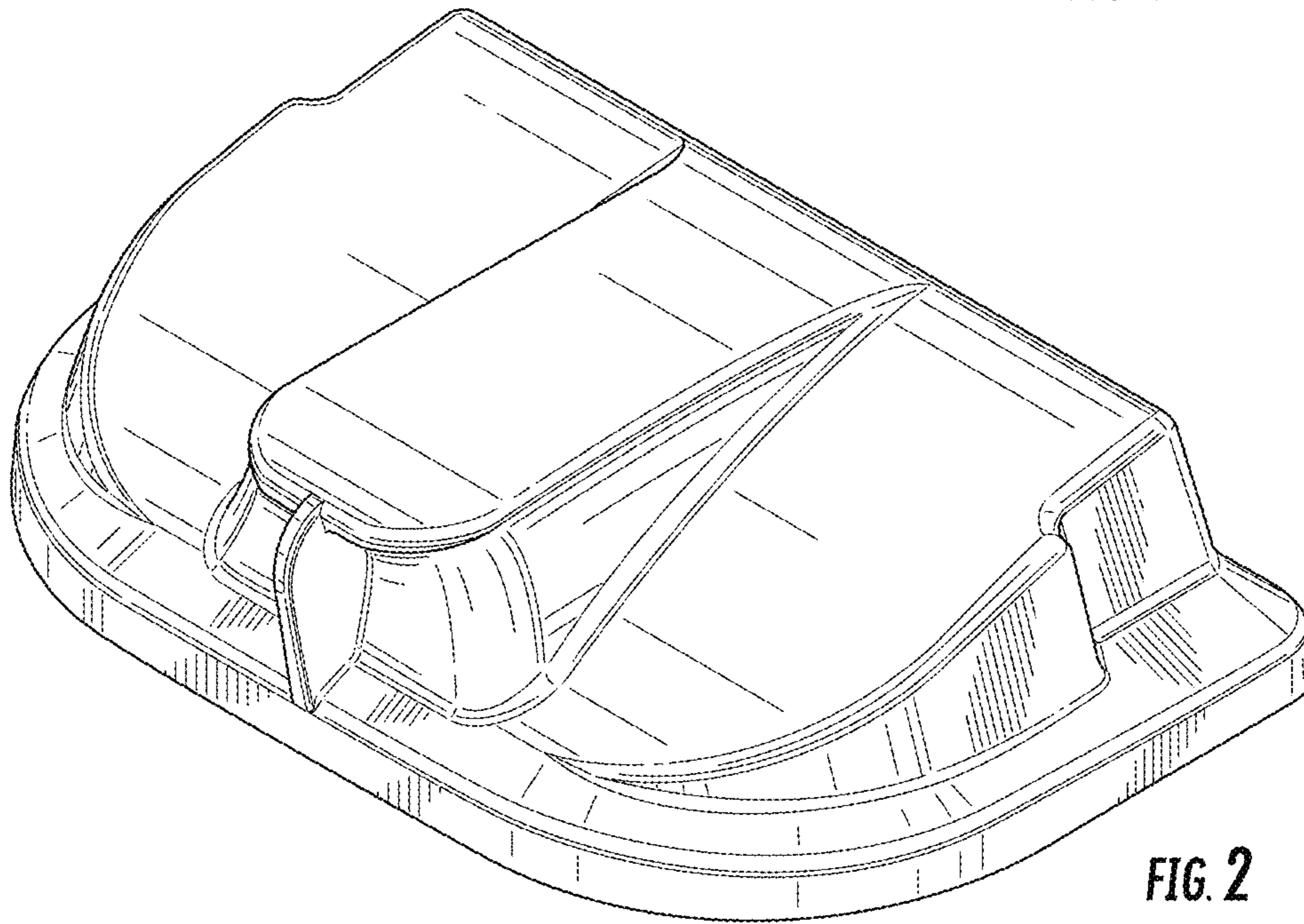


FIG. 2

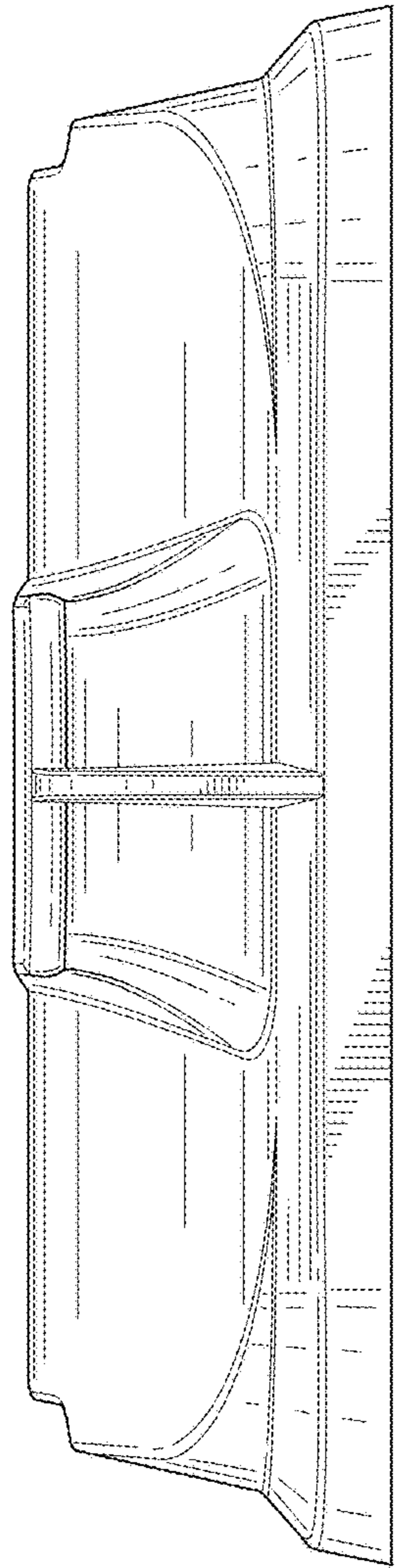


FIG. 3

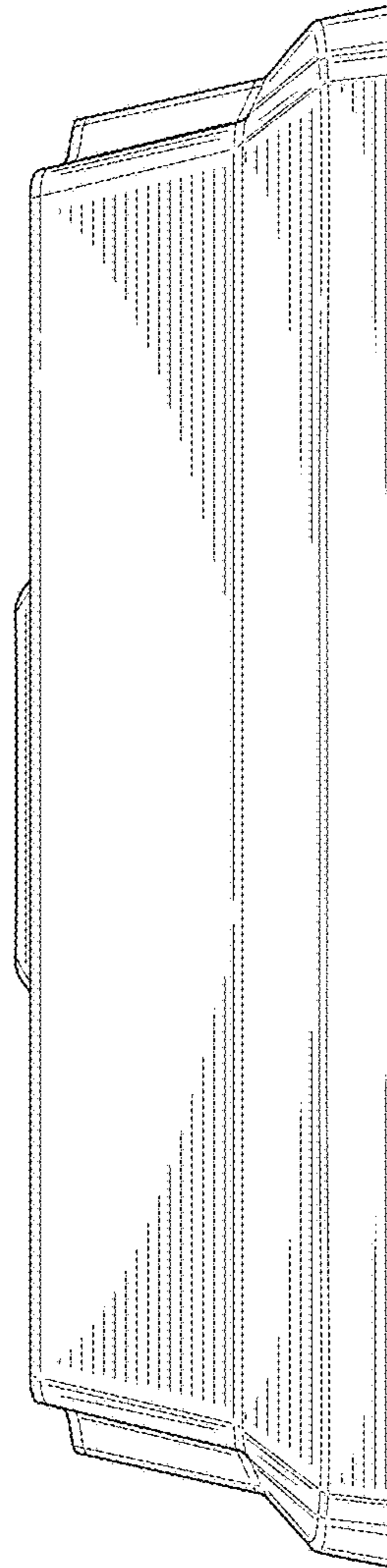


FIG. 4

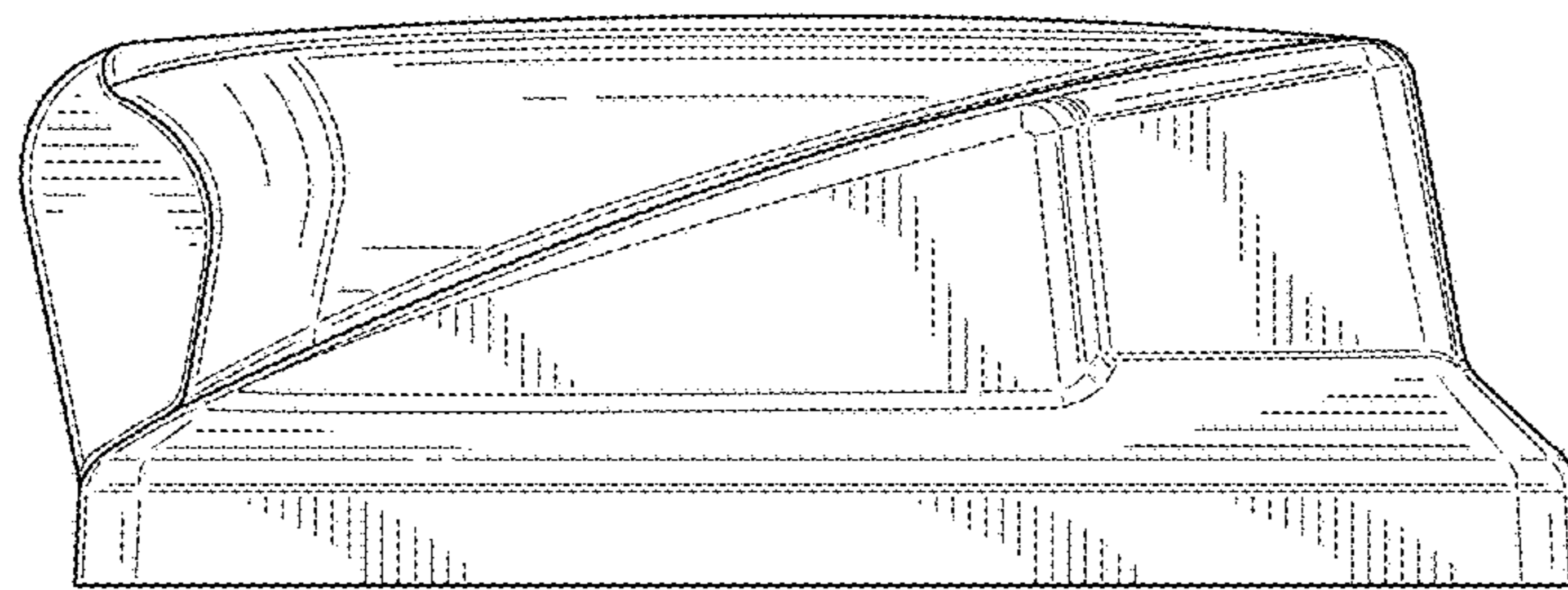


FIG. 5

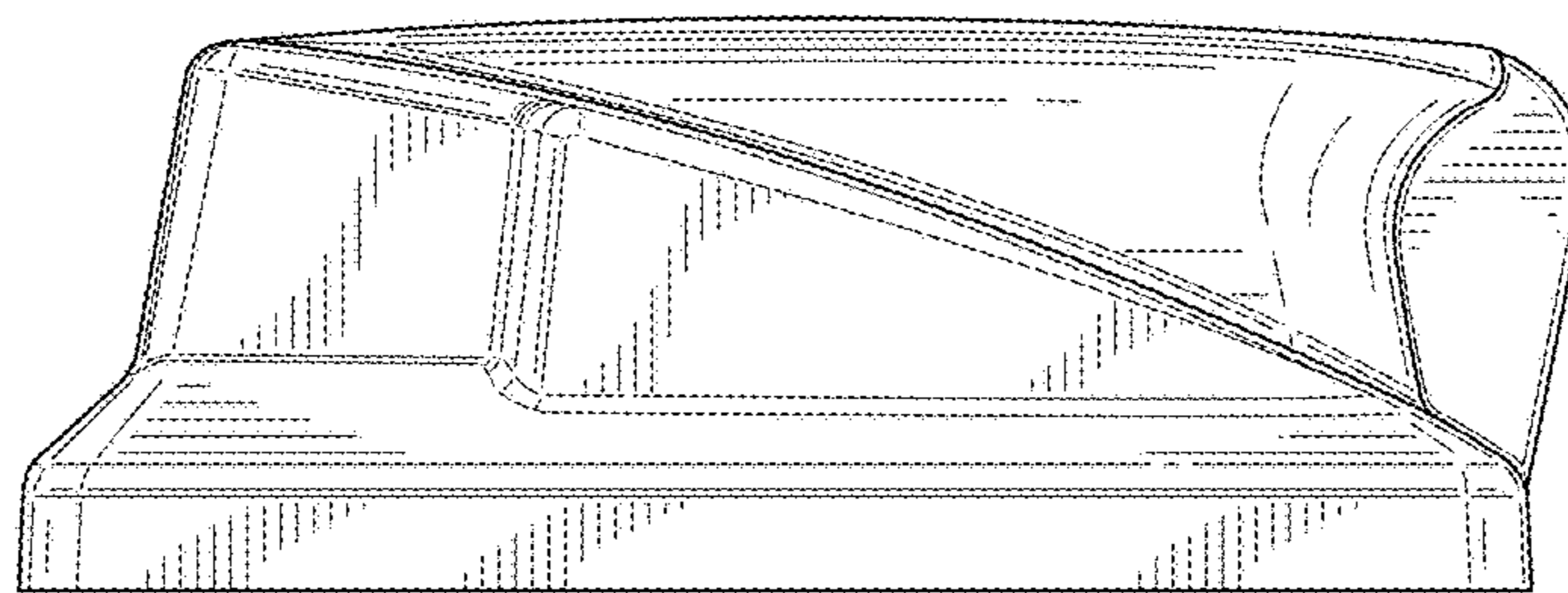


FIG. 6

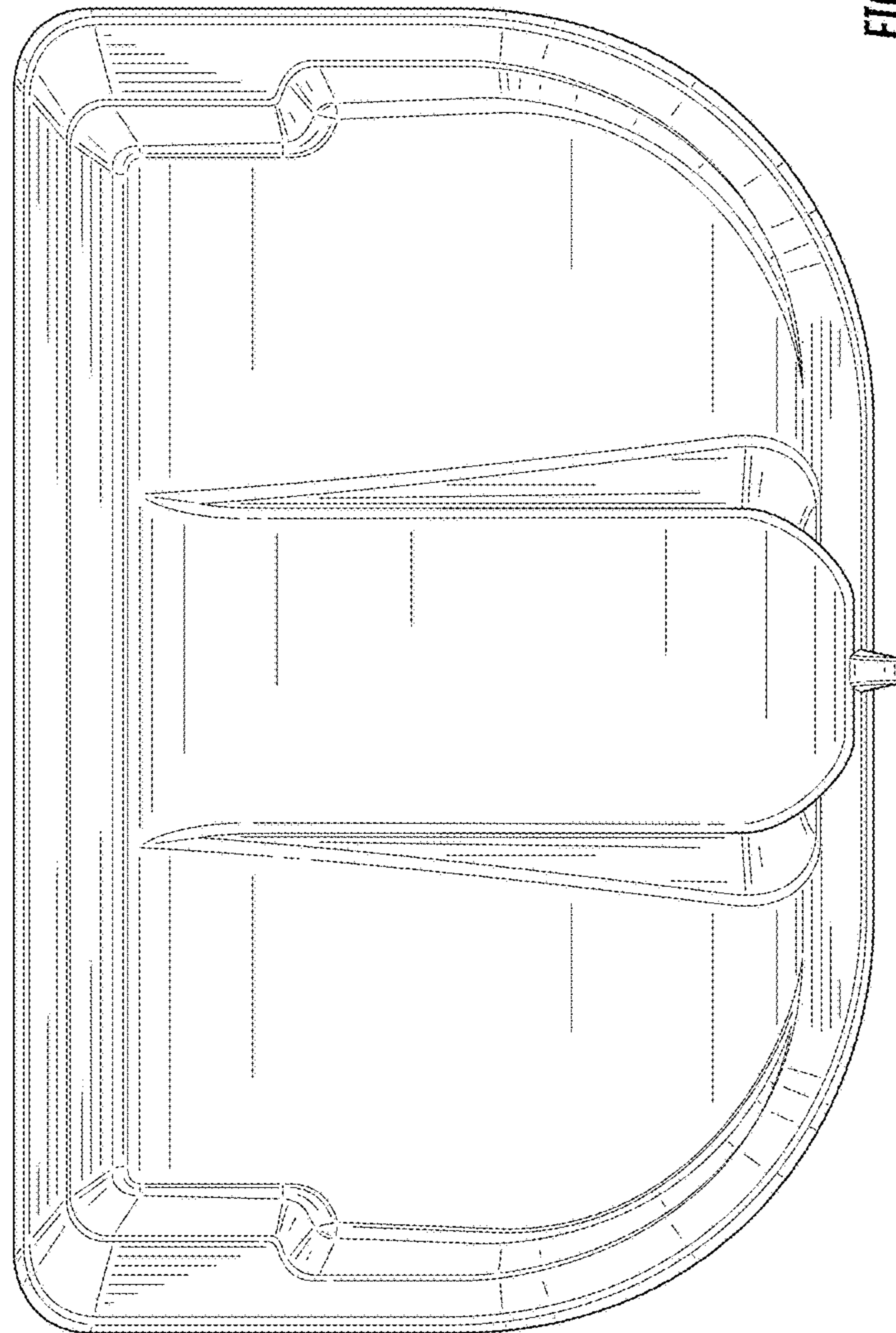


FIG. 7

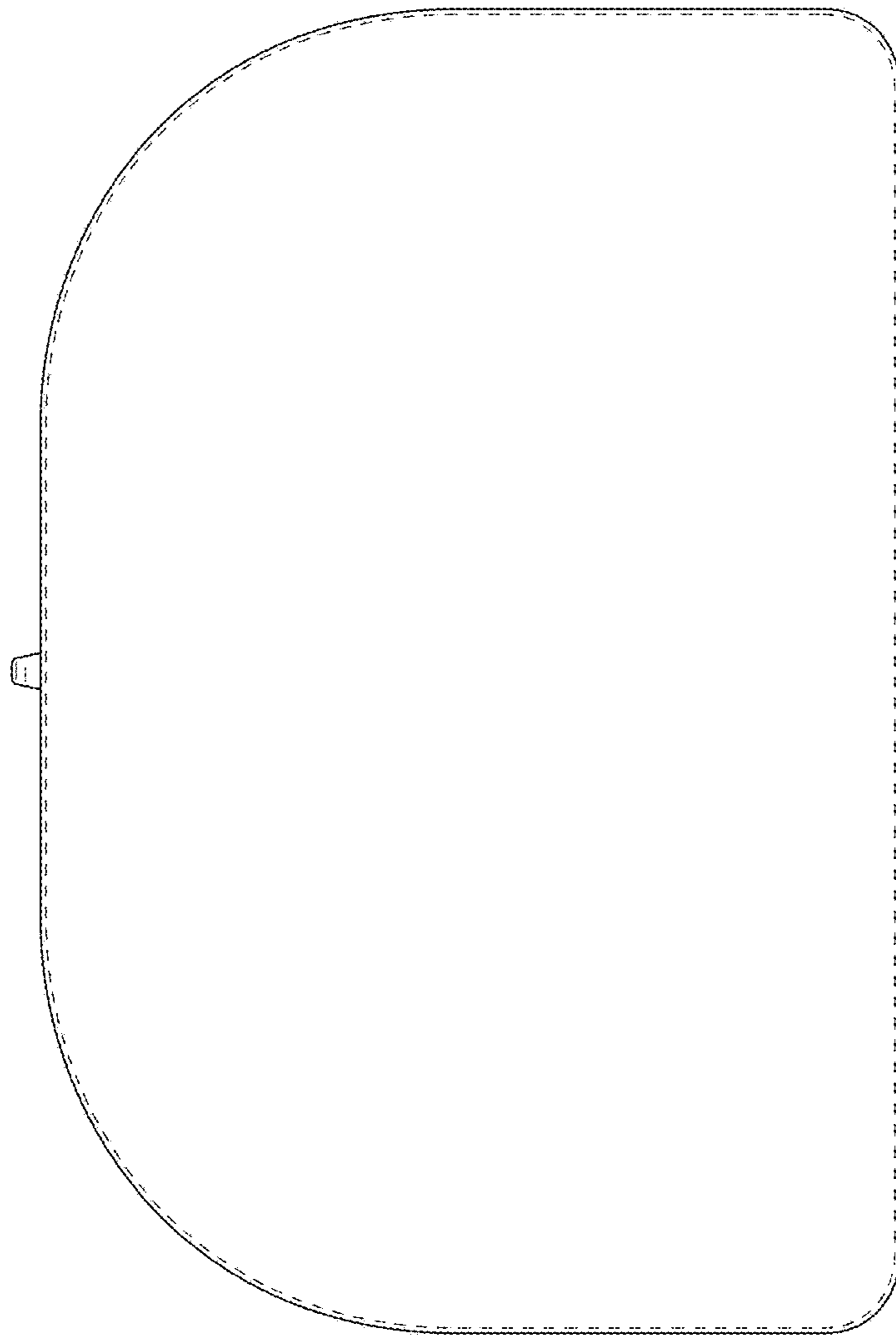


FIG. 8