



US00D867305S

(12) **United States Design Patent** (10) **Patent No.:** **US D867,305 S**  
**Deyaf et al.** (45) **Date of Patent:** **\*\* Nov. 19, 2019**

(54) **CONTROL BOX**

- (71) Applicant: **SpeedTech Lights, Inc.**, Buda, TX (US)
- (72) Inventors: **Malik Deyaf**, Buda, TX (US); **Mostafa Abdallah**, Buda, TX (US)
- (73) Assignee: **SpeedTech Lights, Inc.**, Buda, TX (US)
- (\*\*) Term: **15 Years**
- (21) Appl. No.: **29/659,328**
- (22) Filed: **Aug. 8, 2018**
- (51) **LOC (12) Cl.** ..... **13-03**
- (52) **U.S. Cl.**  
USPC ..... **D13/164**
- (58) **Field of Classification Search**  
USPC ..... D13/162, 164, 184; 10/106.1, 106.95;  
D12/174; D14/257, 258  
CPC ..... B60Q 1/0076; B60Q 1/2611; H05K 5/00;  
H05K 5/0017; H01H 3/02; H01H 3/12;  
H01H 9/02; H01H 9/0214; H01H 9/0264  
See application file for complete search history.

(56) **References Cited**

U.S. PATENT DOCUMENTS

5,296,840	A *	3/1994	Gieffers	.....	G08B 3/10 340/384.4
5,831,515	A *	11/1998	Stewart	.....	G08B 3/10 340/384.4
D412,678	S *	8/1999	Smith	.....	D10/106.1
6,778,078	B1 *	8/2004	Han	.....	G08B 3/10 340/384.4
D503,644	S *	4/2005	Case	.....	D10/106.1
D647,062	S *	10/2011	Deyaf	.....	D13/162
D689,785	S *	9/2013	Miller	.....	D10/106.1
D750,573	S *	3/2016	Deyaf	.....	D13/164
D750,574	S *	3/2016	Deyaf	.....	D13/164
D768,580	S *	10/2016	Thompson	.....	D13/164
D826,758	S *	8/2018	Deyaf	.....	D10/106.1
D826,759	S *	8/2018	Deyaf	.....	D10/106.1
D826,760	S *	8/2018	Deyaf	.....	D10/106.1

OTHER PUBLICATIONS

STL speedtech Light Striker ; prior to Aug. 8, 2017; 1 pg.; [https://www.google.com/search?q=SpeedTech+Lights%2C+Inc.&hl=en&biw=1536&bih=813&source=Int&tbs=cd%3A1%2Ccd\\_min%3A%2Ccd\\_max%3A8%2F8%2F2017&tbm=isch#imgrc=GvjfYpSol0lc8M:&spf=1562353432165.\\*](https://www.google.com/search?q=SpeedTech+Lights%2C+Inc.&hl=en&biw=1536&bih=813&source=Int&tbs=cd%3A1%2Ccd_min%3A%2Ccd_max%3A8%2F8%2F2017&tbm=isch#imgrc=GvjfYpSol0lc8M:&spf=1562353432165.*)

911Signal Switch Panels Boxes; prior to Aug. 8, 2017; 1 pg.; [https://www.google.com/search?hl=en&biw=1536&bih=813&tbs=cd%3A1%2Ccd\\_max%3A8%2F8%2F2017&tbm=isch&sa=1&ei=GJ8fXamaC-eOggferq2YBg&q=switch+boxes+for+light+bars&oq=switch+boxes+for+&gs\\_l=img.1.0.0i24.459650.475456..479097...19.0..0.87.2161.37 . . . \\*](https://www.google.com/search?hl=en&biw=1536&bih=813&tbs=cd%3A1%2Ccd_max%3A8%2F8%2F2017&tbm=isch&sa=1&ei=GJ8fXamaC-eOggferq2YBg&q=switch+boxes+for+light+bars&oq=switch+boxes+for+&gs_l=img.1.0.0i24.459650.475456..479097...19.0..0.87.2161.37.....0....1.*)

\* cited by examiner

Primary Examiner — Selina Sikder

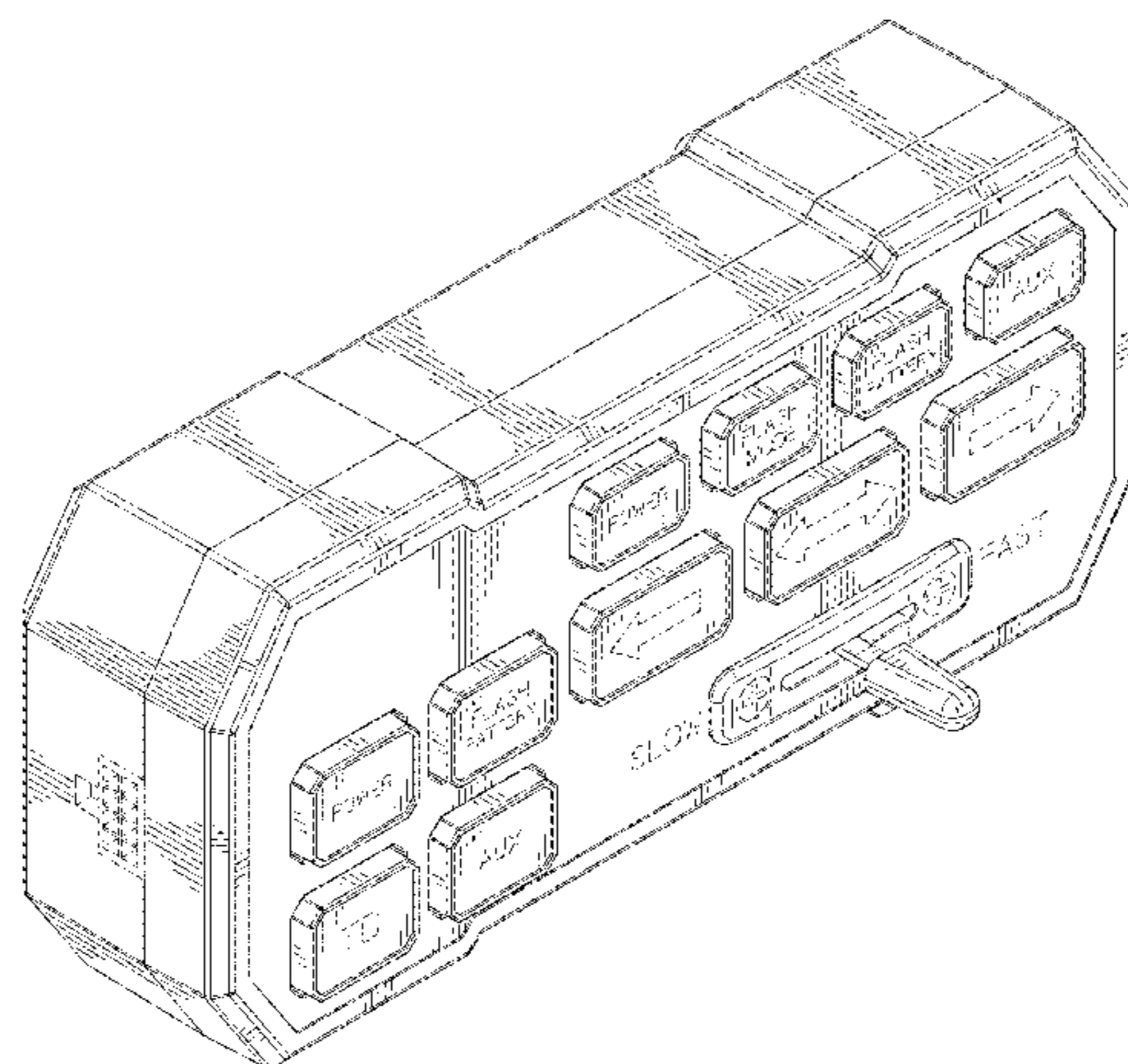
(57) **CLAIM**

The ornamental design for a control box, as shown and described.

**DESCRIPTION**

FIG. 1 is a front perspective view of a control box showing our new design;  
 FIG. 2 is a front view thereof;  
 FIG. 3 is a back view thereof;  
 FIG. 4 is a right side view thereof;  
 FIG. 5 is a left side view thereof;  
 FIG. 6 is a top view thereof;  
 FIG. 7 is a bottom view thereof; and,  
 FIG. 8 is a rear perspective view thereof.  
 The broken lines included illustrate portions of control box that form no part of the claimed design.

**1 Claim, 7 Drawing Sheets**



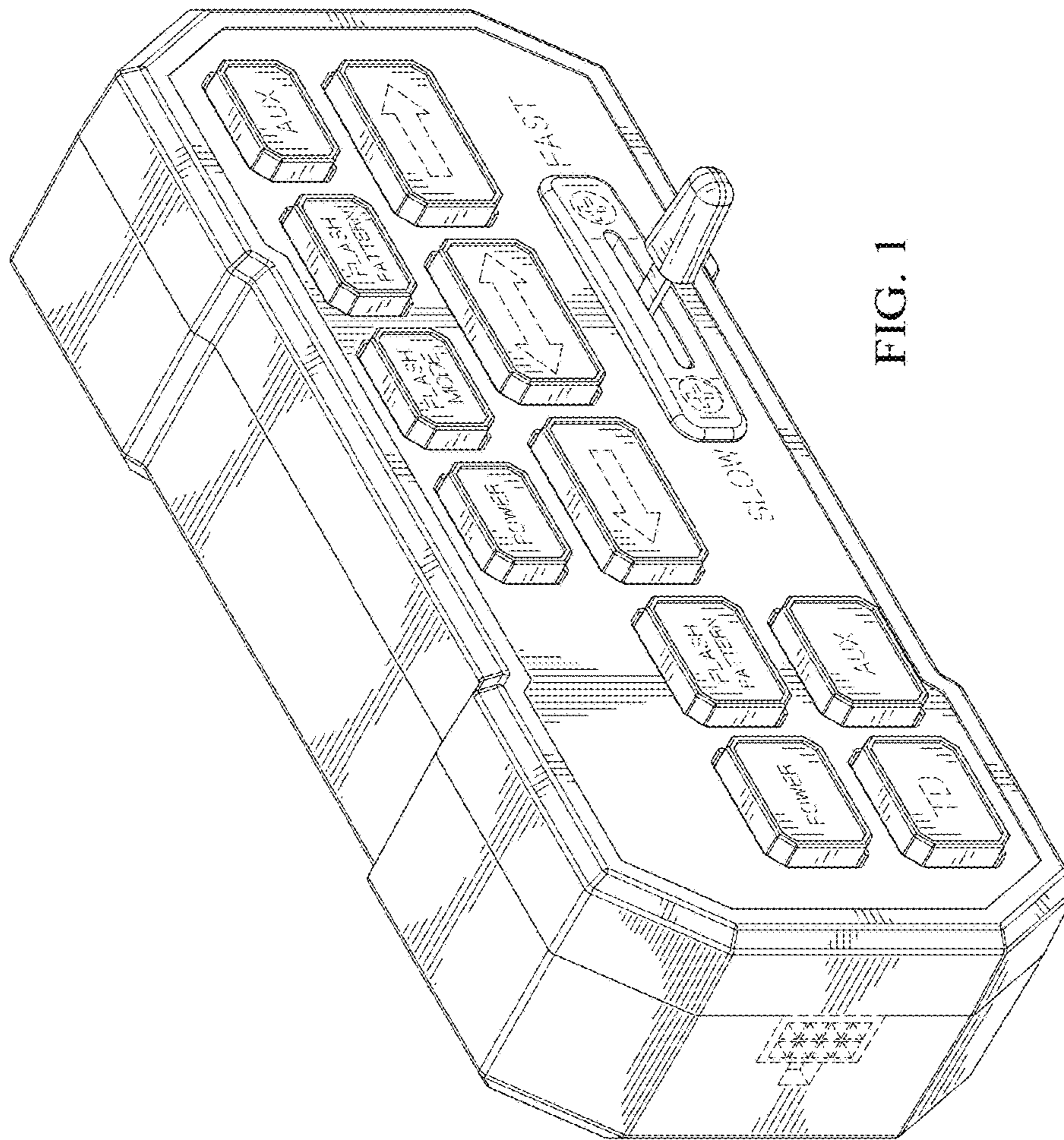


FIG. 1

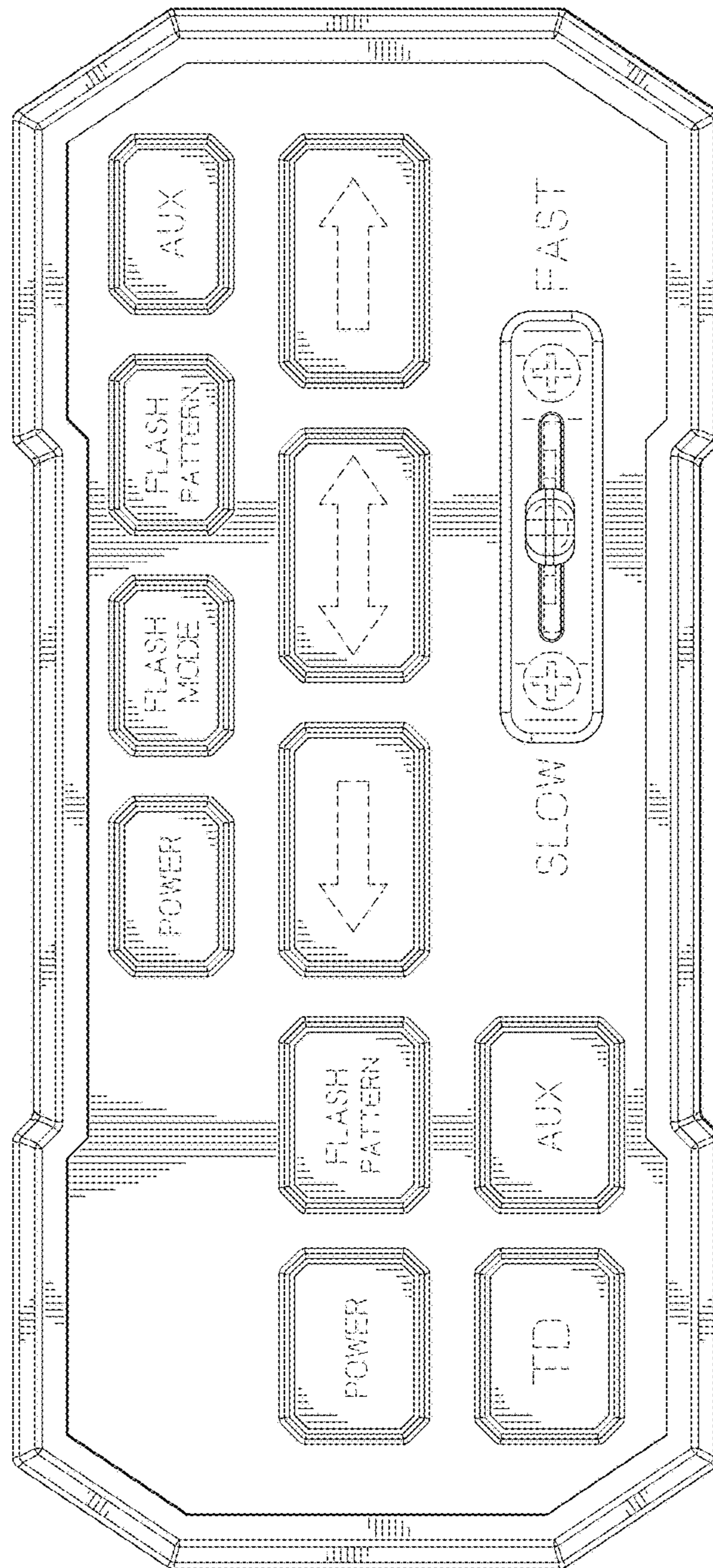


FIG. 2

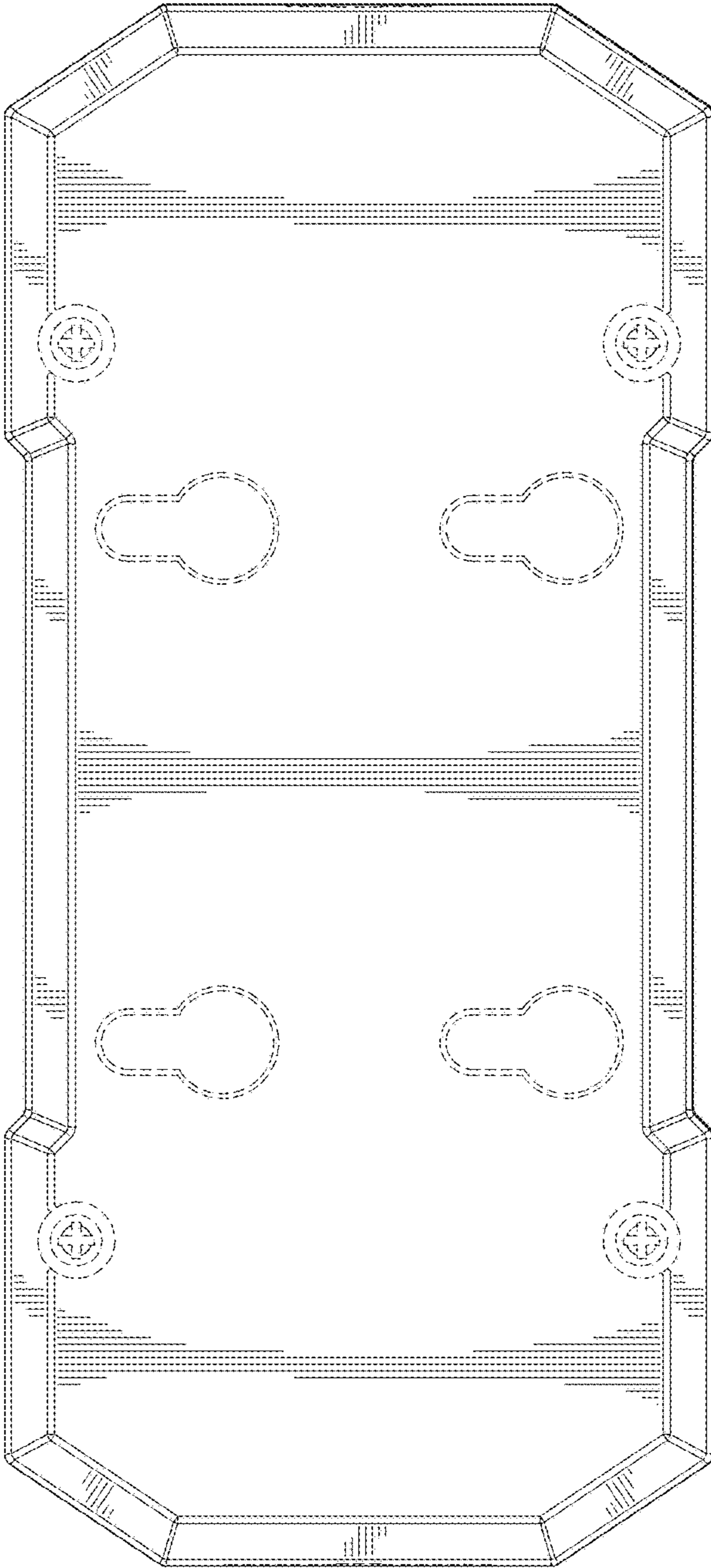


FIG. 3

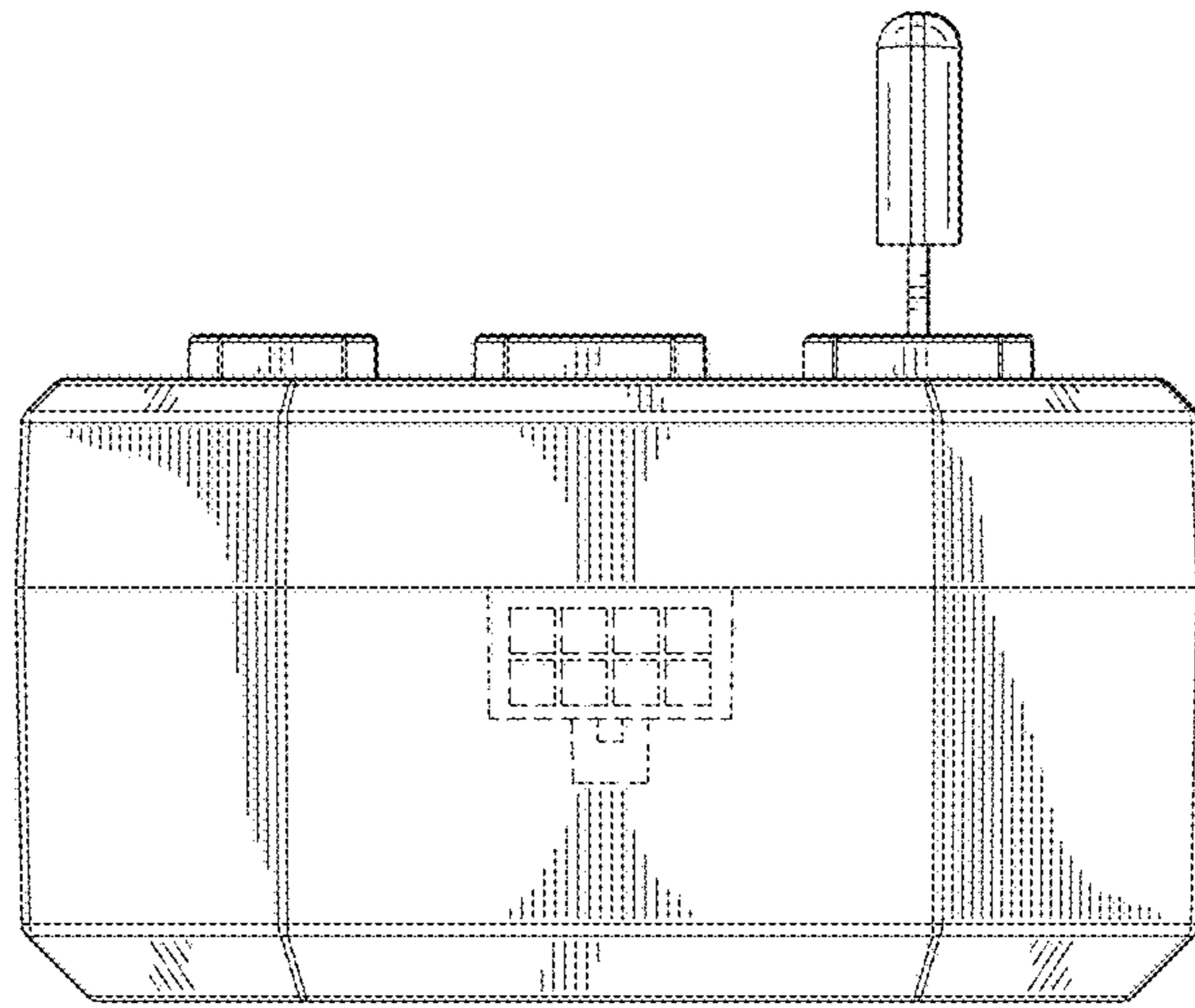


FIG. 5

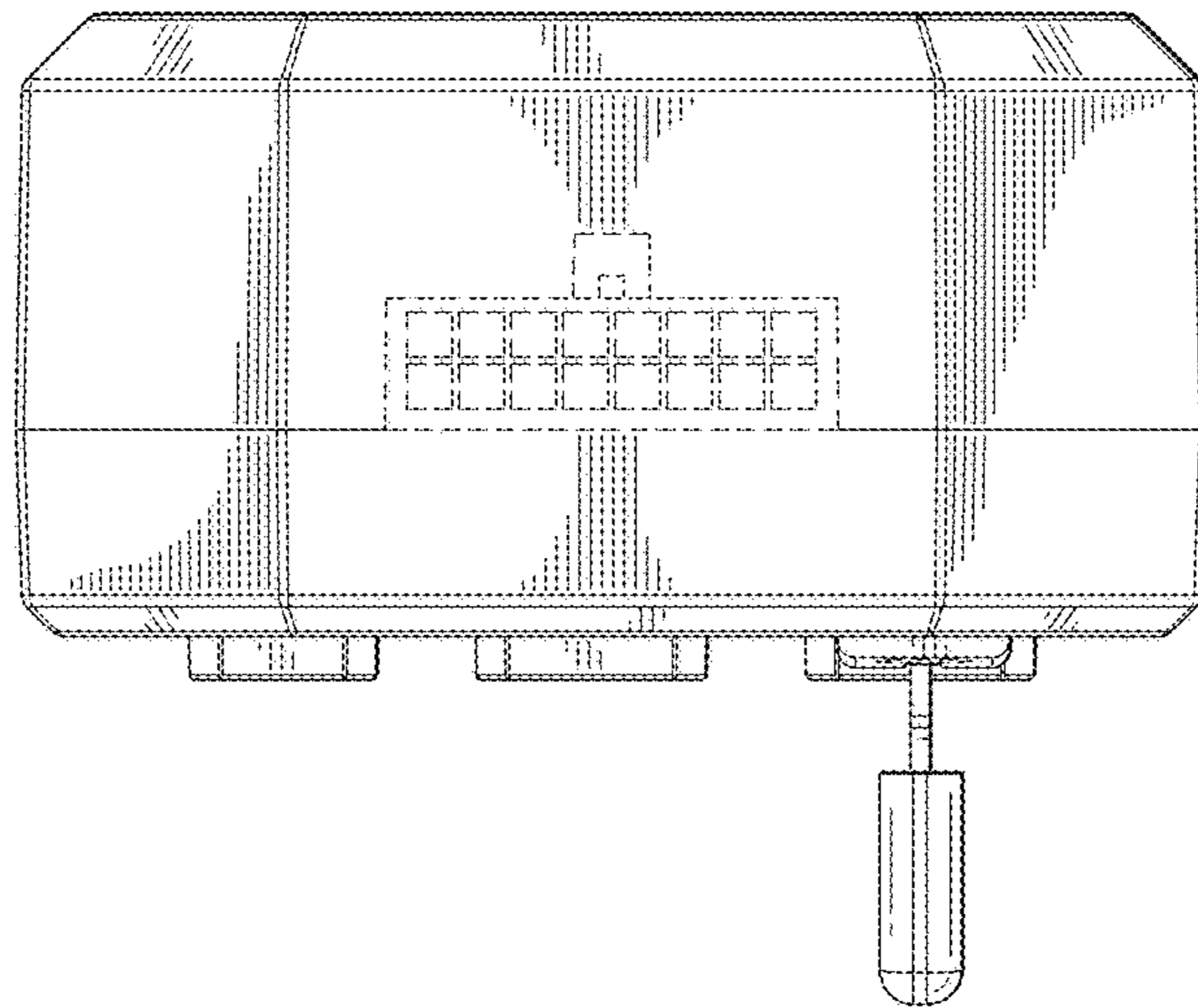


FIG. 4

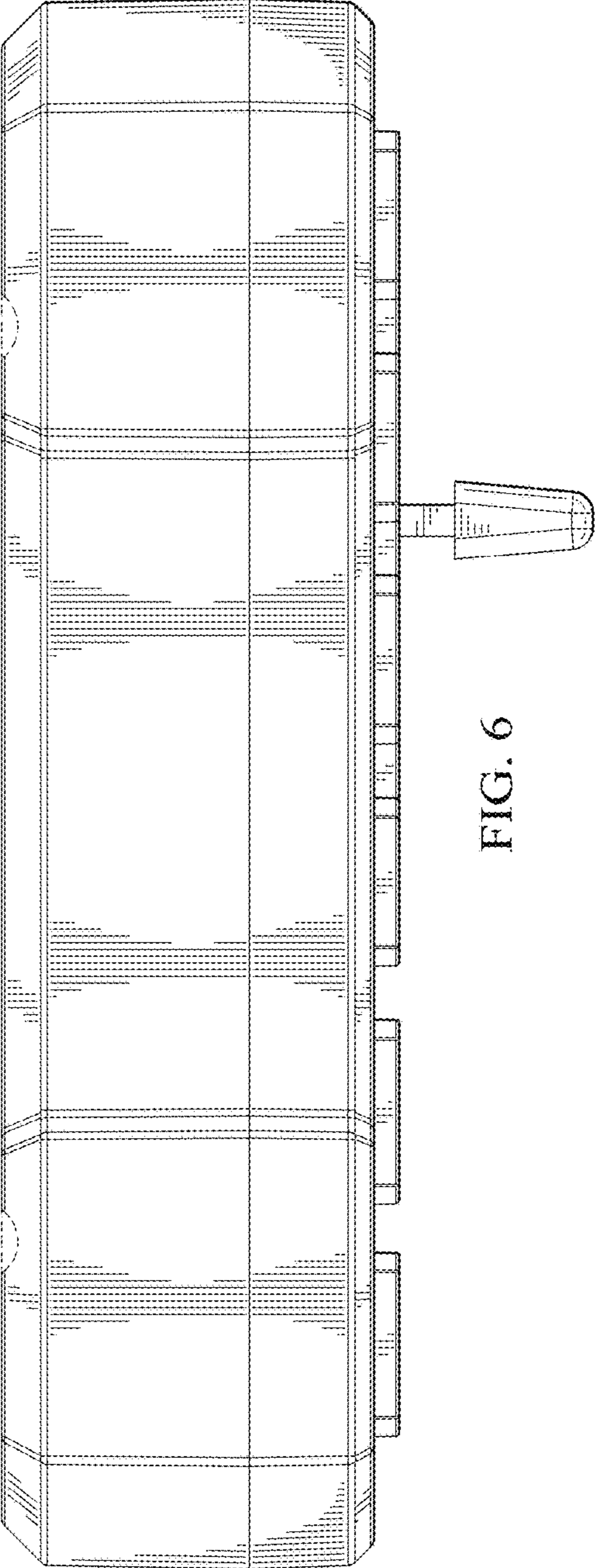


FIG. 6

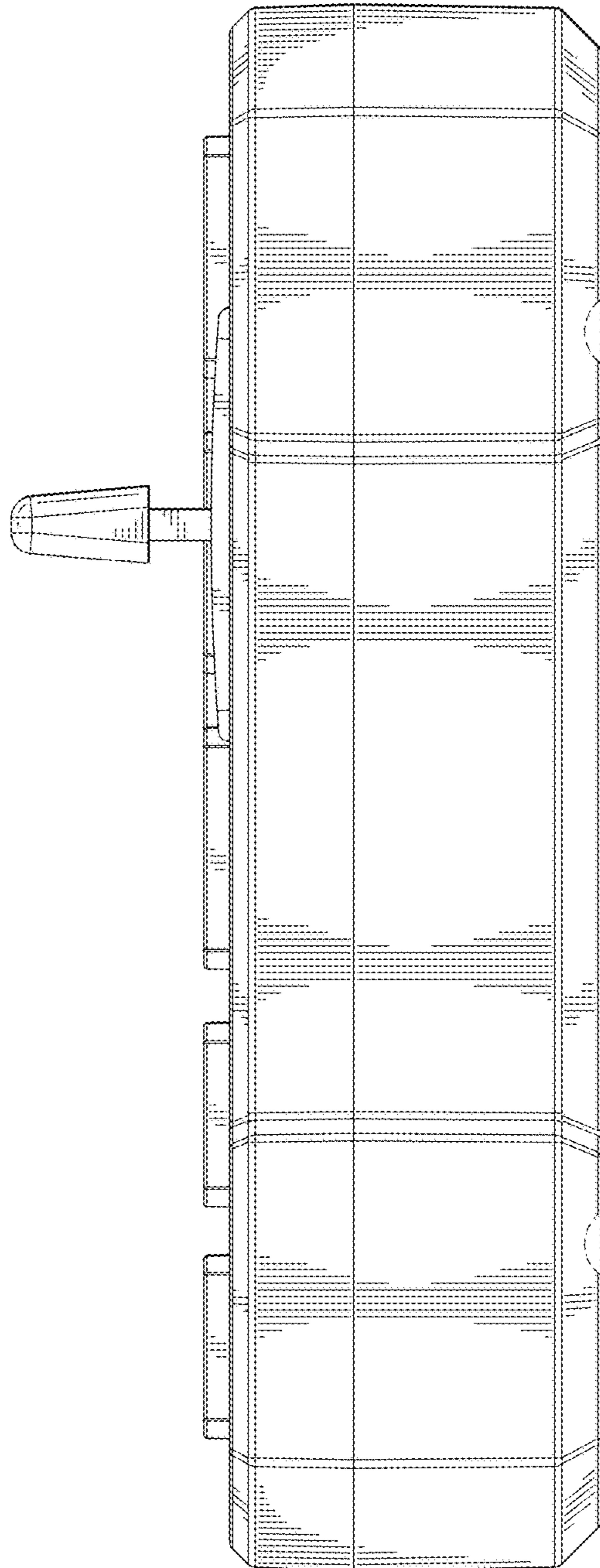


FIG. 7

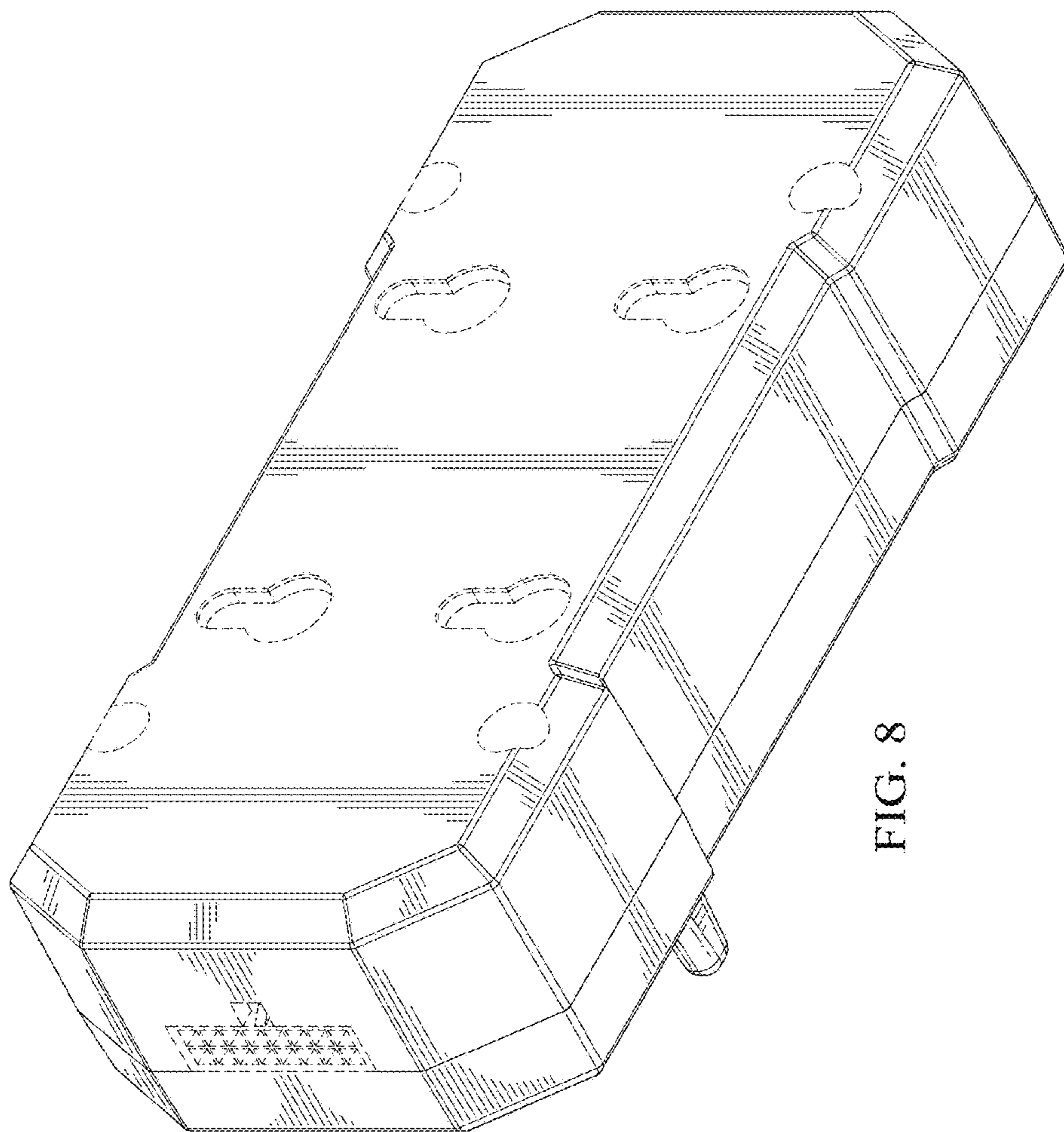


FIG. 8