



US00D867303S

(12) **United States Design Patent** (10) **Patent No.:** **US D867,303 S**
Baines et al. (45) **Date of Patent:** **** Nov. 19, 2019**

(54) **CONDUIT**
(71) Applicant: **Fullwood Limited**, Ellesmere (GB)
(72) Inventors: **John Richard Baines**, Ellesmere (GB);
Vernon Alan Titley, Ellesmere (GB)
(73) Assignee: **Fullwood Limited** (GB)
(**) Term: **15 Years**

D473,194 S * 4/2003 Lee D13/133
D489,866 S * 5/2004 Brown 119/14.47
D490,779 S * 6/2004 Lee D13/133
D500,475 S * 1/2005 Noro D13/133
D528,506 S * 9/2006 Taguchi D13/133
D542,224 S * 5/2007 Victor D13/154
D543,154 S * 5/2007 Suckle D13/154
D549,174 S * 8/2007 Lee D13/133
D568,822 S * 5/2008 Kuo D13/133
D673,500 S * 1/2013 Feige D13/133
D715,008 S * 10/2014 Alveby D30/199
D737,782 S * 9/2015 Nook D13/120

(21) Appl. No.: **29/623,850**

* cited by examiner

(22) Filed: **Oct. 27, 2017**

Primary Examiner — Derrick E Holland

(30) **Foreign Application Priority Data**

Assistant Examiner — Jennifer O King

Apr. 28, 2017 (EM) 003878750-0001

(74) *Attorney, Agent, or Firm* — Lowenstein Sandler LLP

(51) **LOC (12) Cl.** **13-03**

(52) **U.S. Cl.**
USPC **D13/155**

(57) **CLAIM**

(58) **Field of Classification Search**
USPC D8/356, 394-396; D13/155, 156,
D13/120-121, 123, 133, 154, 158, 160,
D13/173, 178, 184, 199; 439/723, 752,
439/135, 149, 367; D30/199

The ornamental design for a conduit, as shown and described.

CPC H02G 3/32; H01R 13/6392; H01R 13/424;
H01R 13/426; H01R 13/4362; H01R
13/5213; A01J 5/08

DESCRIPTION

See application file for complete search history.

FIG. 1 is a perspective view of a conduit showing our new design.

(56) **References Cited**

FIG. 2 is front view thereof.

U.S. PATENT DOCUMENTS

FIG. 3 is a side view thereof.

D327,552 S * 6/1992 Lallerstedt D30/199

FIG. 4 is a back view thereof.

5,482,004 A * 1/1996 Chowdhury A01J 5/08

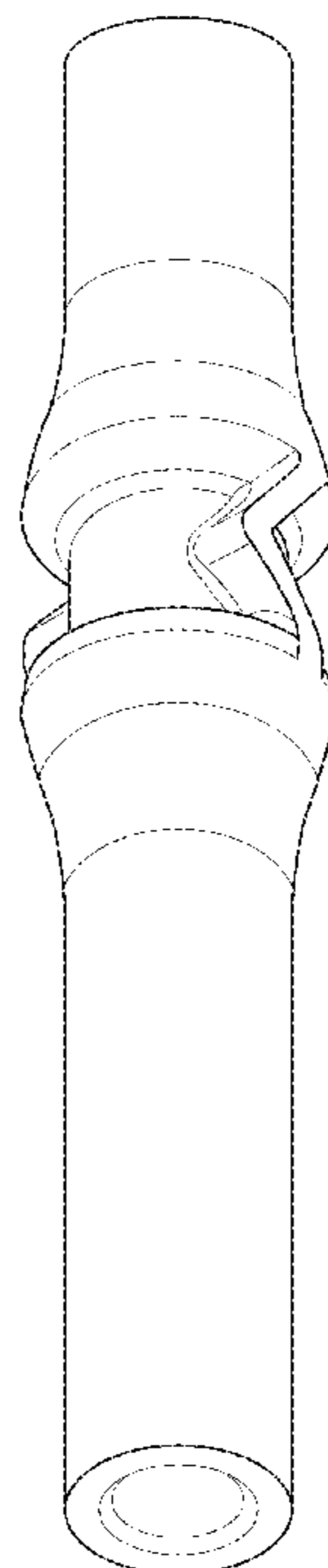
FIG. 5 is a second perspective view thereof.

119/14.52

FIG. 6 is a top view thereof; and,

FIG. 7 is a bottom view thereof.

1 Claim, 4 Drawing Sheets



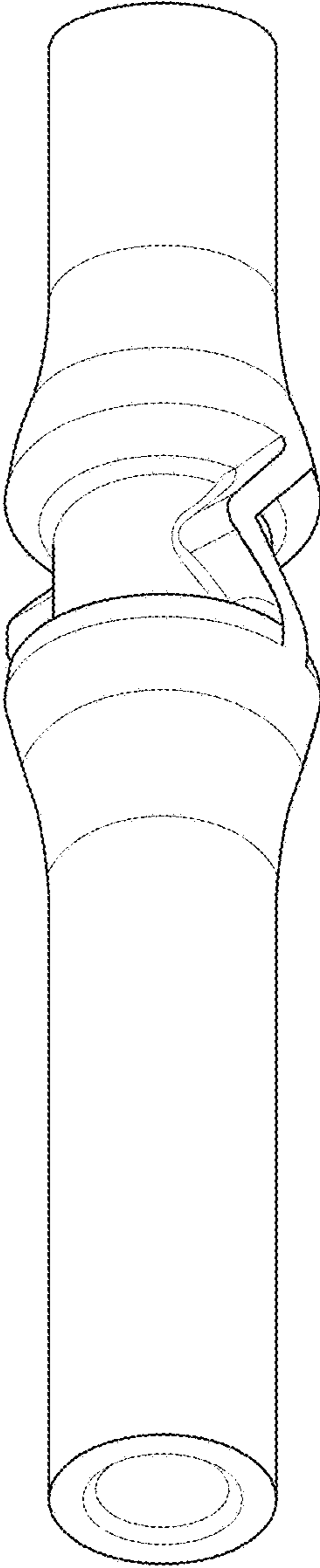


FIG. 1

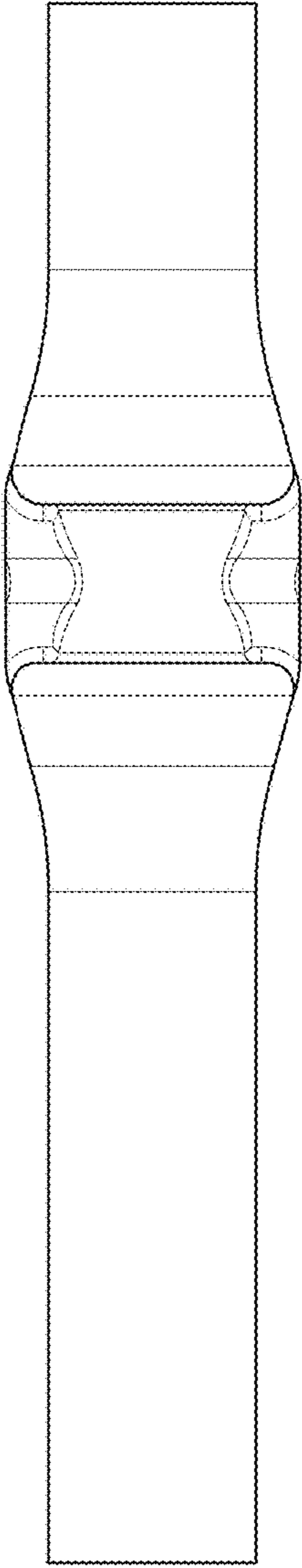


FIG. 2

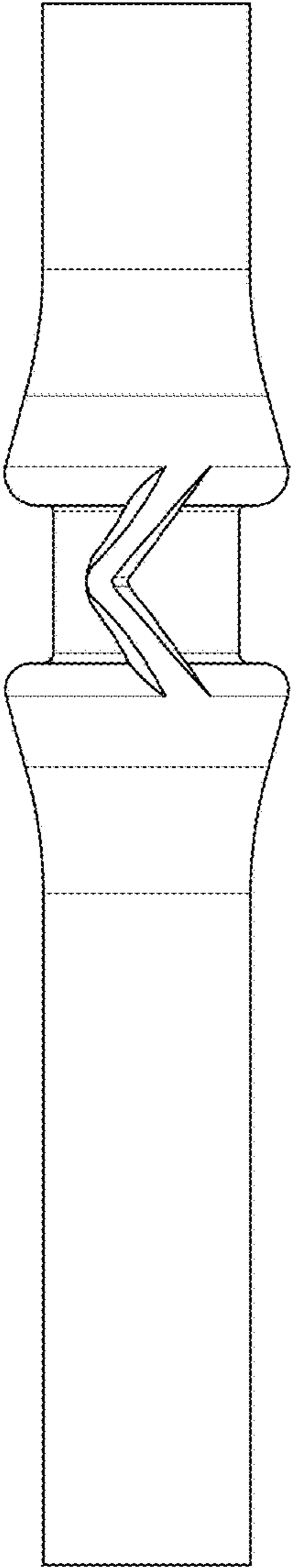


FIG. 3

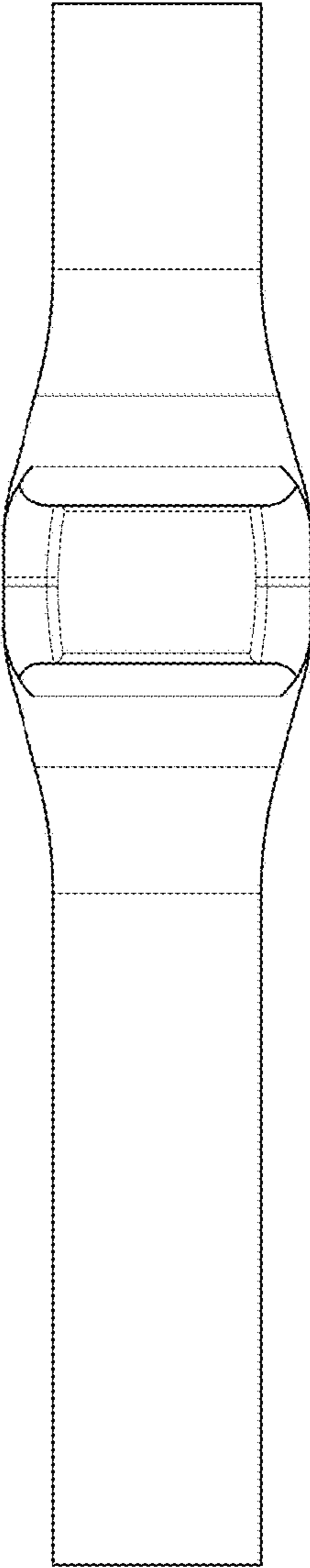


FIG. 4

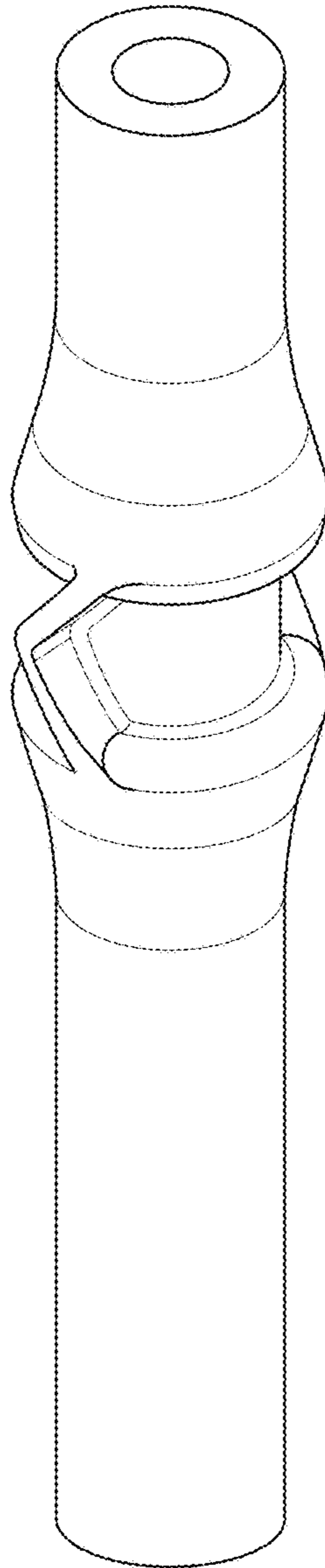


FIG. 5

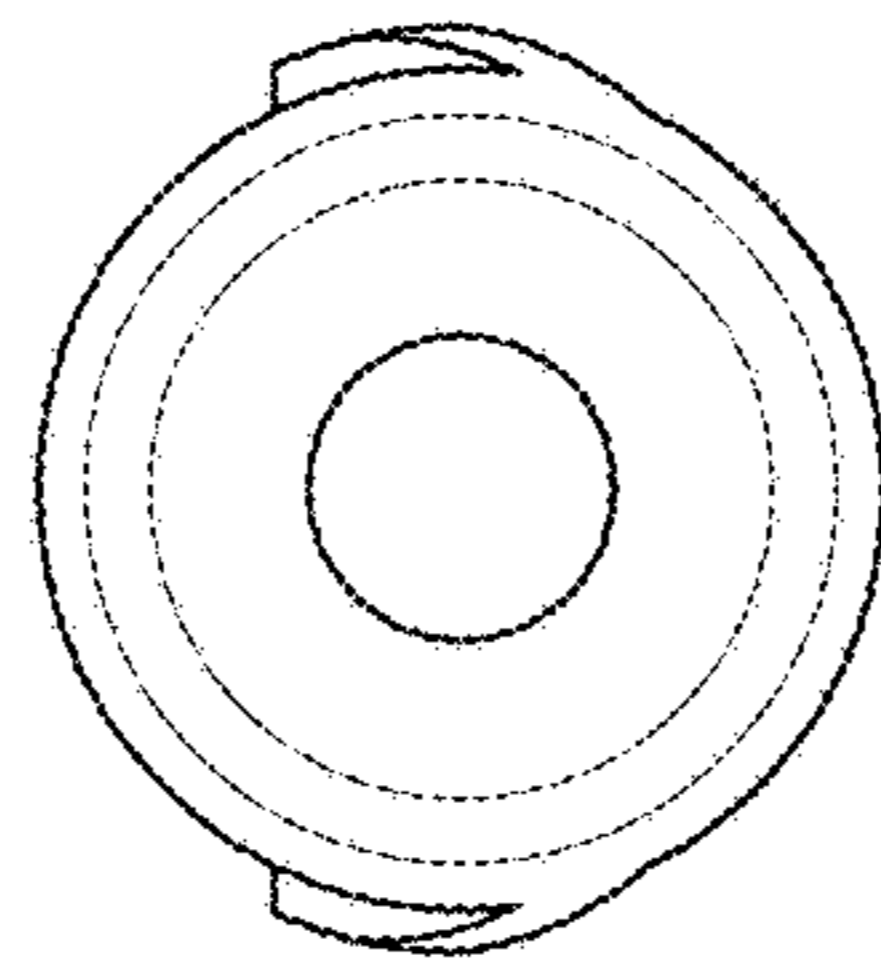


FIG. 6

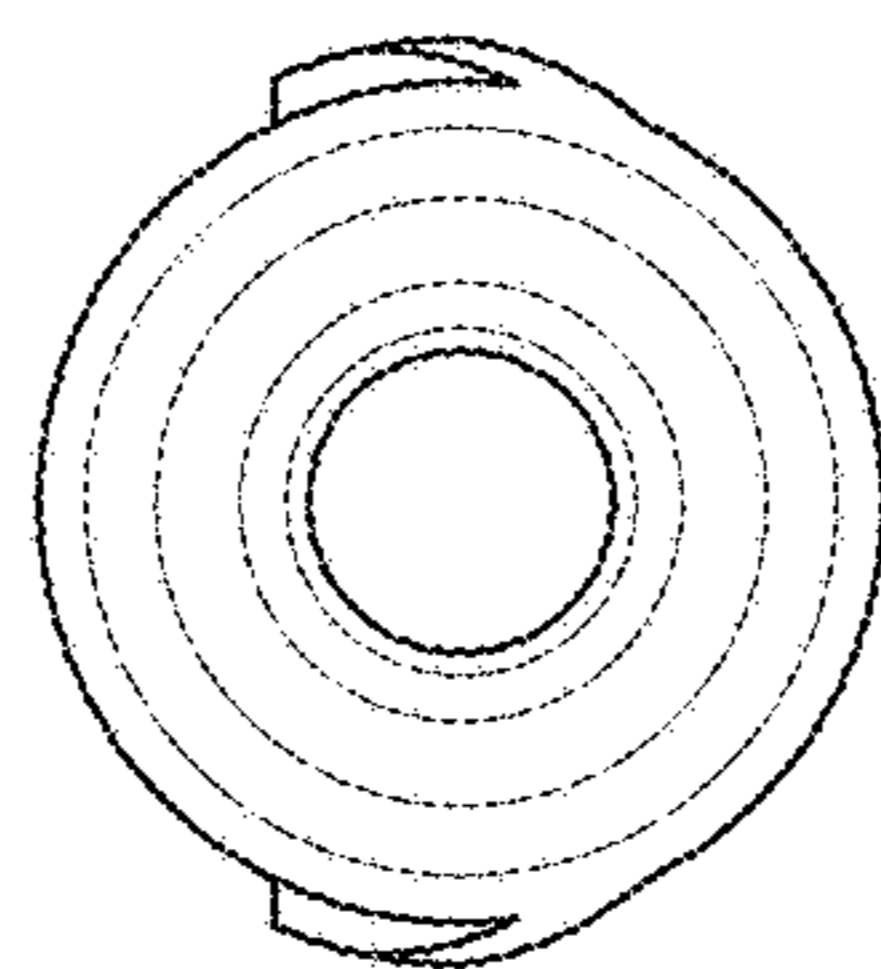


FIG. 7