

US00D867302S

(12) **United States Design Patent**
Zhu et al.

(10) **Patent No.:** **US D867,302 S**

(45) **Date of Patent:** **** Nov. 19, 2019**

(54) **ADAPTER**

(71) Applicant: **Cheng Uei Precision Industry Co., Ltd.**, New Taipei (TW)

(72) Inventors: **Feng Zhu**, Dong-Guan (CN); **Xing-Yu Hu**, Dong-Guan (CN); **Gao-Hua Du**, Dong-Guan (CN)

(73) Assignee: **CHENG UEI PRECISION INDUSTRY CO., LTD.**, New Taipei (TW)

(**) Term: **15 Years**

(21) Appl. No.: **29/632,298**

(22) Filed: **Jan. 5, 2018**

(30) **Foreign Application Priority Data**

Nov. 21, 2017 (TW) 106306795

(51) **LOC (12) Cl.** **13-03**

(52) **U.S. Cl.**
USPC **D13/147**

(58) **Field of Classification Search**
USPC D13/147, 110, 108, 144, 133, 123, 102;
D14/240, 242
CPC H01R 13/652; H01R 35/04; H01R 31/02;
H01R 29/00; H01R 27/00
See application file for complete search history.

(56) **References Cited**

U.S. PATENT DOCUMENTS

D366,242 S * 1/1996 Goto D13/147
D437,290 S * 2/2001 Goto D13/147
D457,194 S * 5/2002 Goto D13/147

D574,778 S * 8/2008 Szeto D13/147
D579,880 S * 11/2008 Birmingham D13/133
D599,297 S * 9/2009 Chen D13/147
D618,240 S * 6/2010 Larmour D14/230
D631,883 S * 2/2011 Maier D14/435.1
D684,538 S * 6/2013 Akana D13/147
D797,747 S * 9/2017 Xu D14/433
D814,412 S * 4/2018 Georgiades D13/108
2009/0215320 A1 * 8/2009 Iranpour Feridani
G02B 6/3873
439/660
2015/0340815 A1 * 11/2015 Gao H01R 13/6581
439/607.01

* cited by examiner

Primary Examiner — Bridget L Eland

(74) *Attorney, Agent, or Firm* — Cheng-Ju Chiang

(57) **CLAIM**

The ornamental design for an adapter, as shown and described.

DESCRIPTION

FIG. 1 is a perspective view of an adapter showing our new design;

FIG. 2 is a front elevational view thereof;

FIG. 3 is a rear elevational view thereof;

FIG. 4 is a left side elevational view thereof;

FIG. 5 is a right side elevational view thereof;

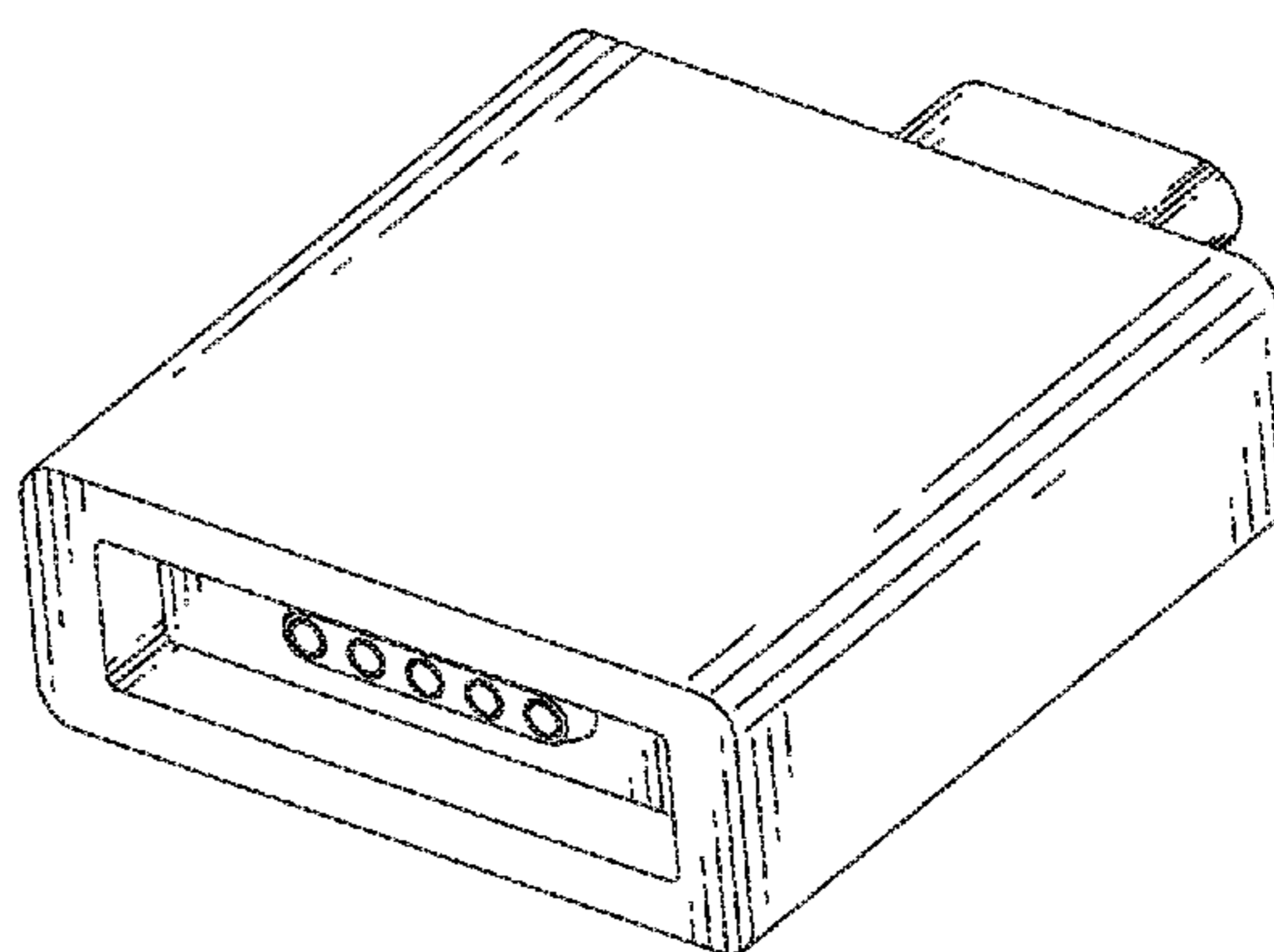
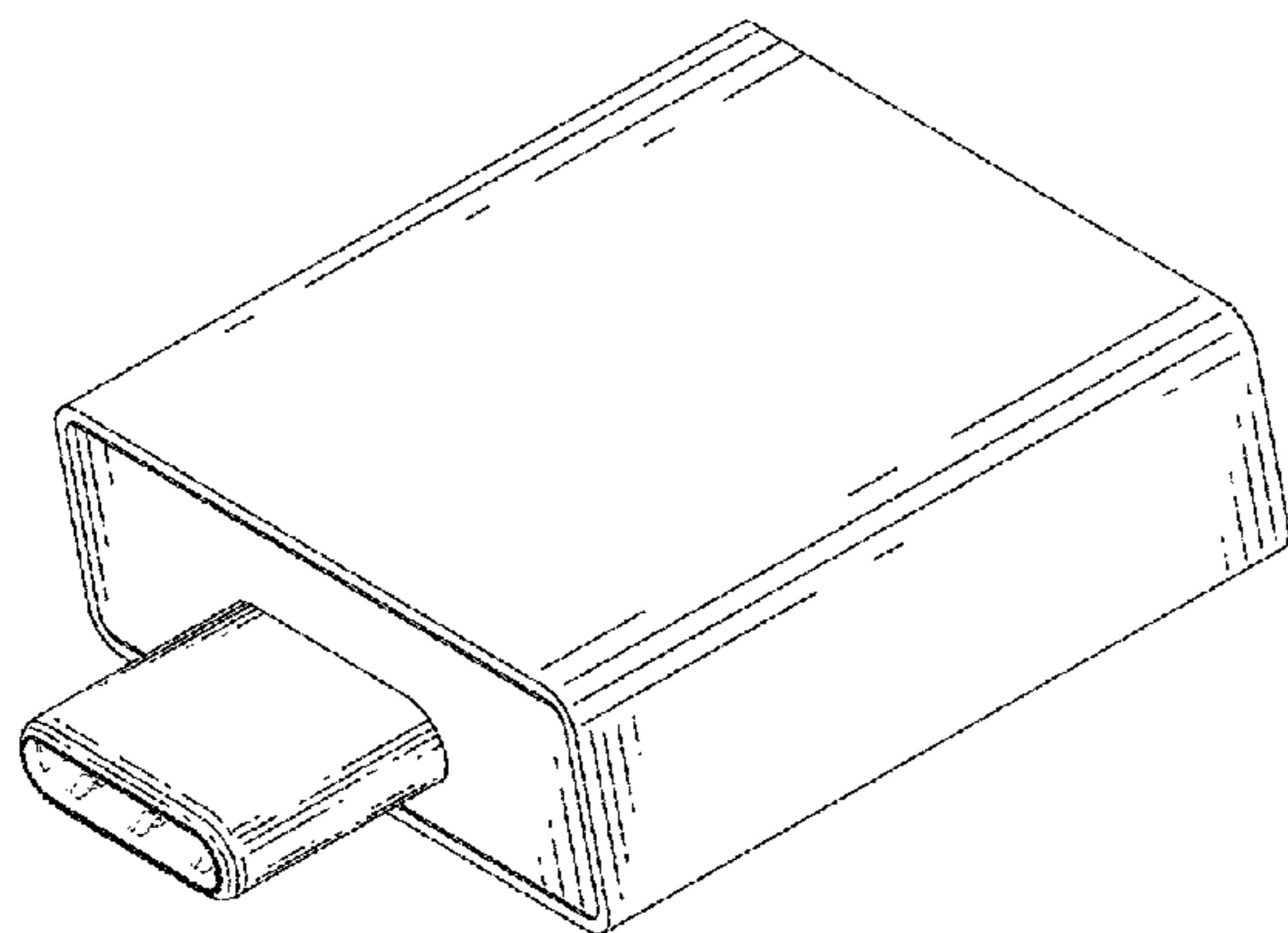
FIG. 6 is a top plan view thereof;

FIG. 7 is a bottom plan view thereof; and,

FIG. 8 is another perspective view of the adapter showing our new design.

The broken lines are directed to environment and are for illustrative purposes only; the broken lines form no part of the claimed design.

1 Claim, 8 Drawing Sheets



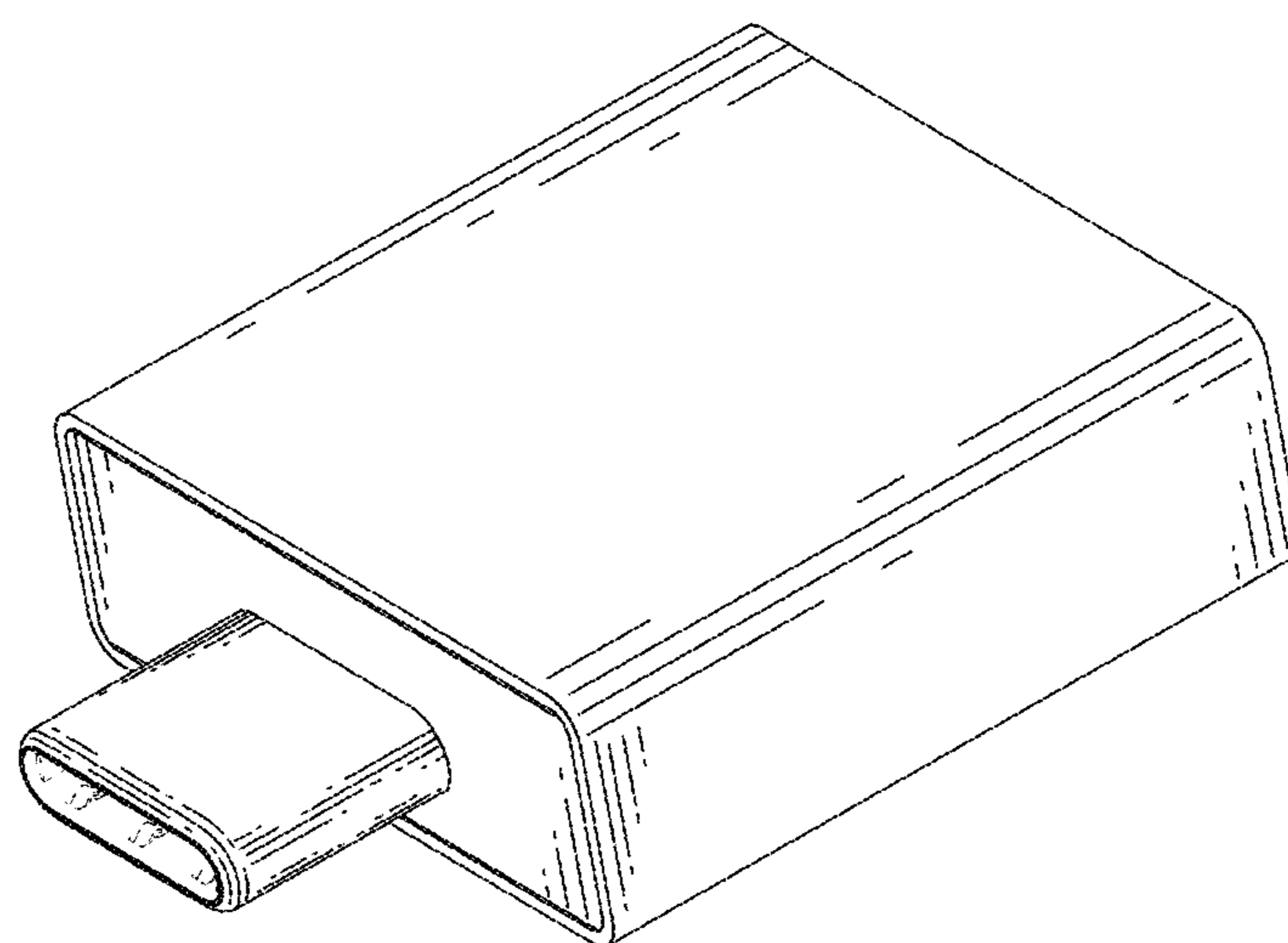


FIG. 1

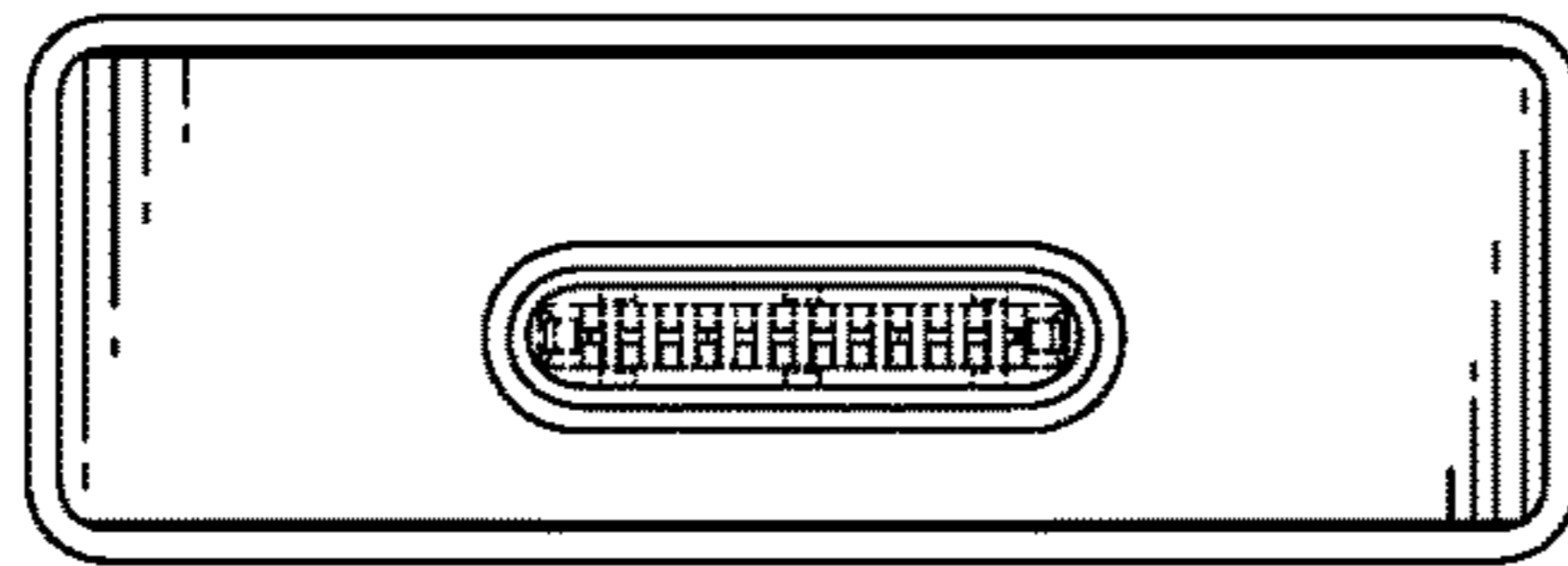


FIG. 2

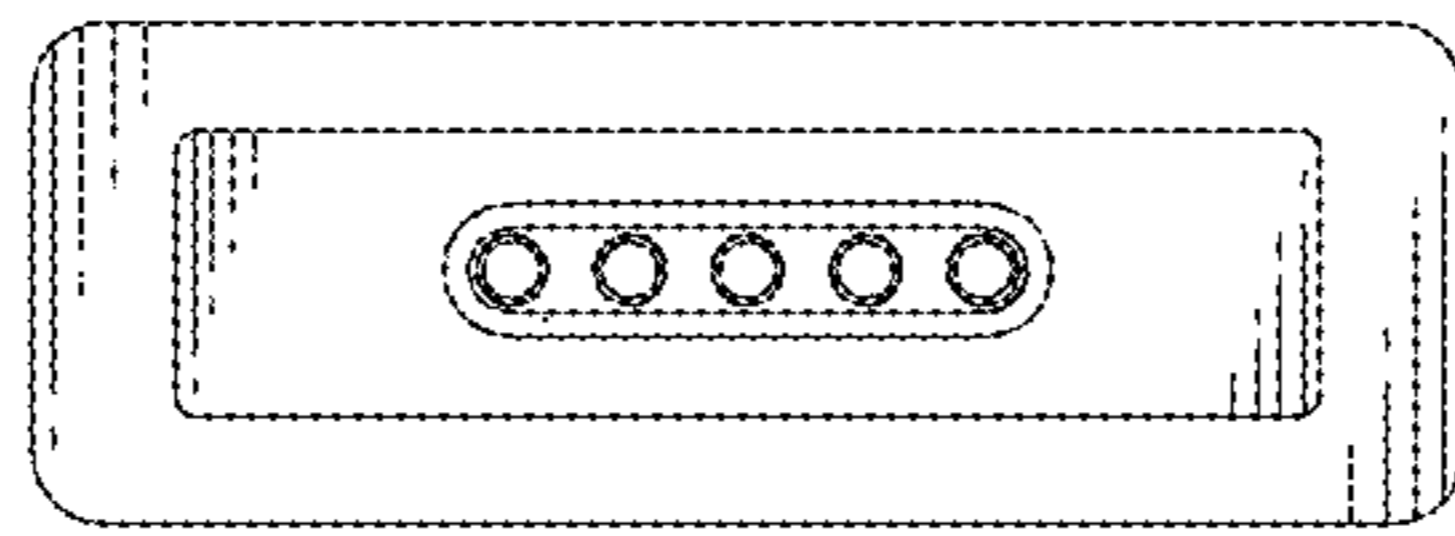


FIG. 3



FIG. 4

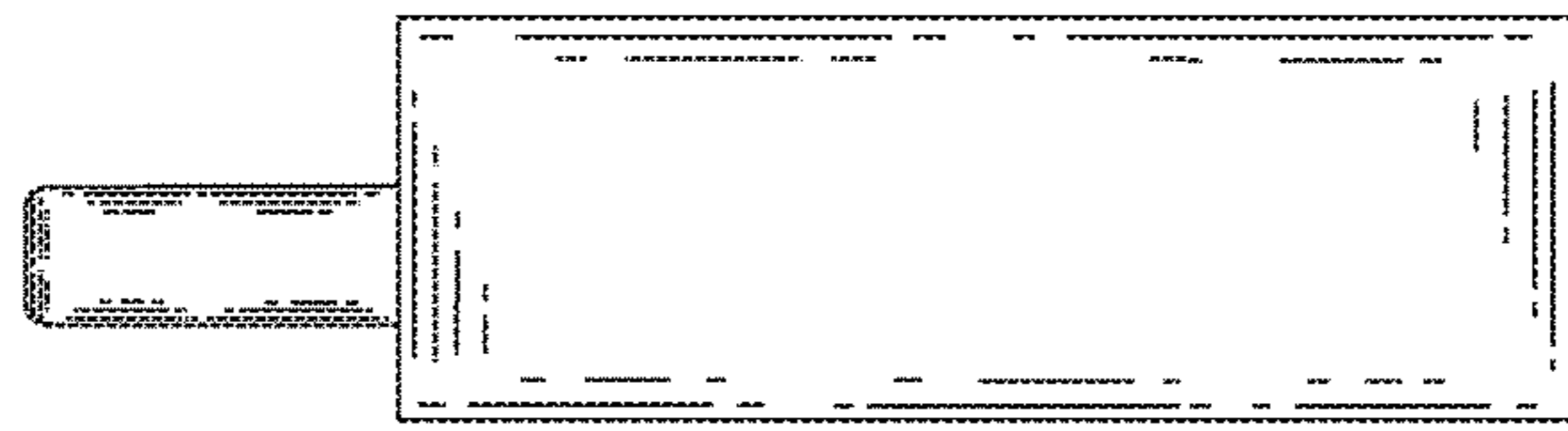


FIG. 5

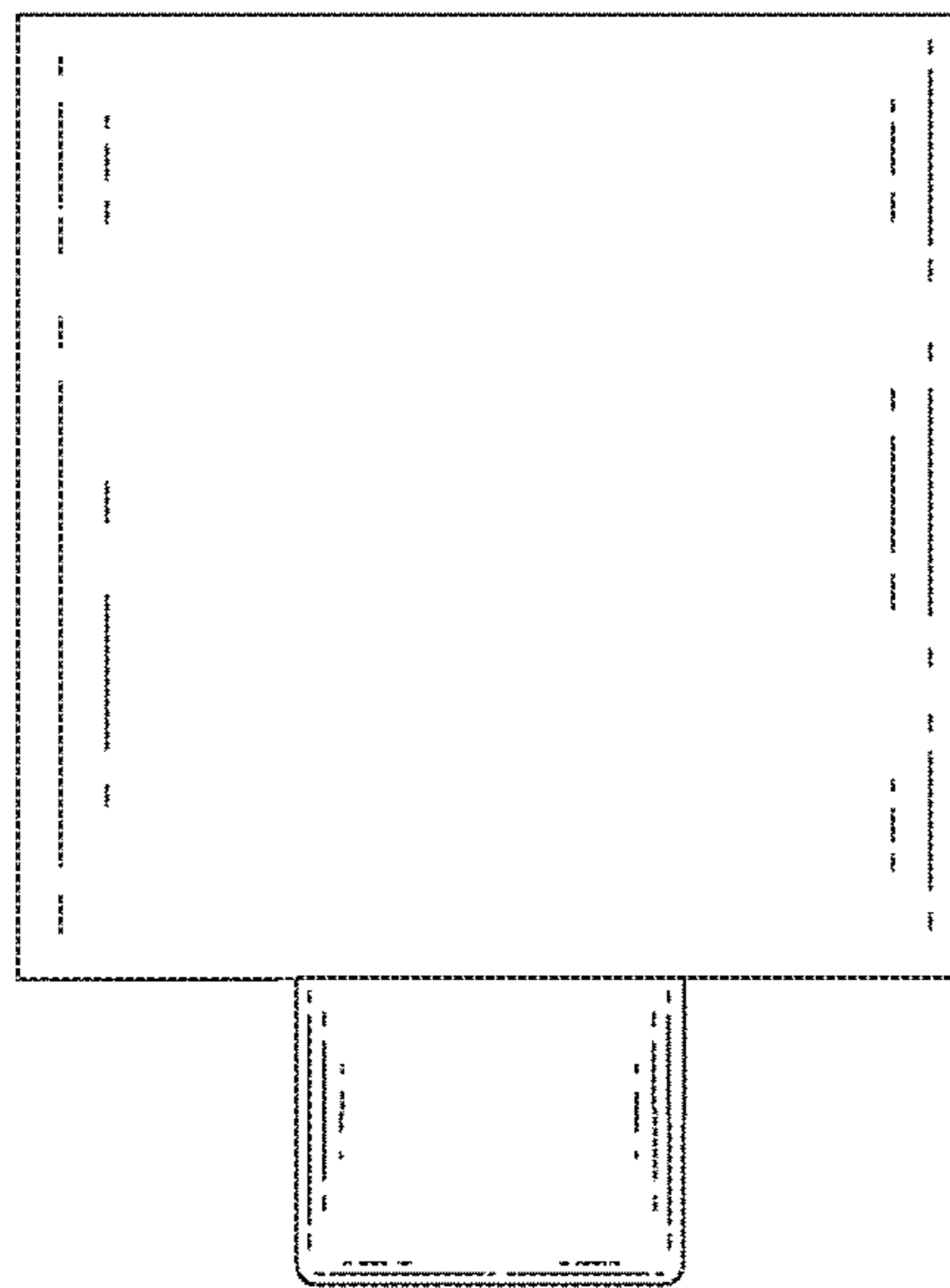


FIG. 6

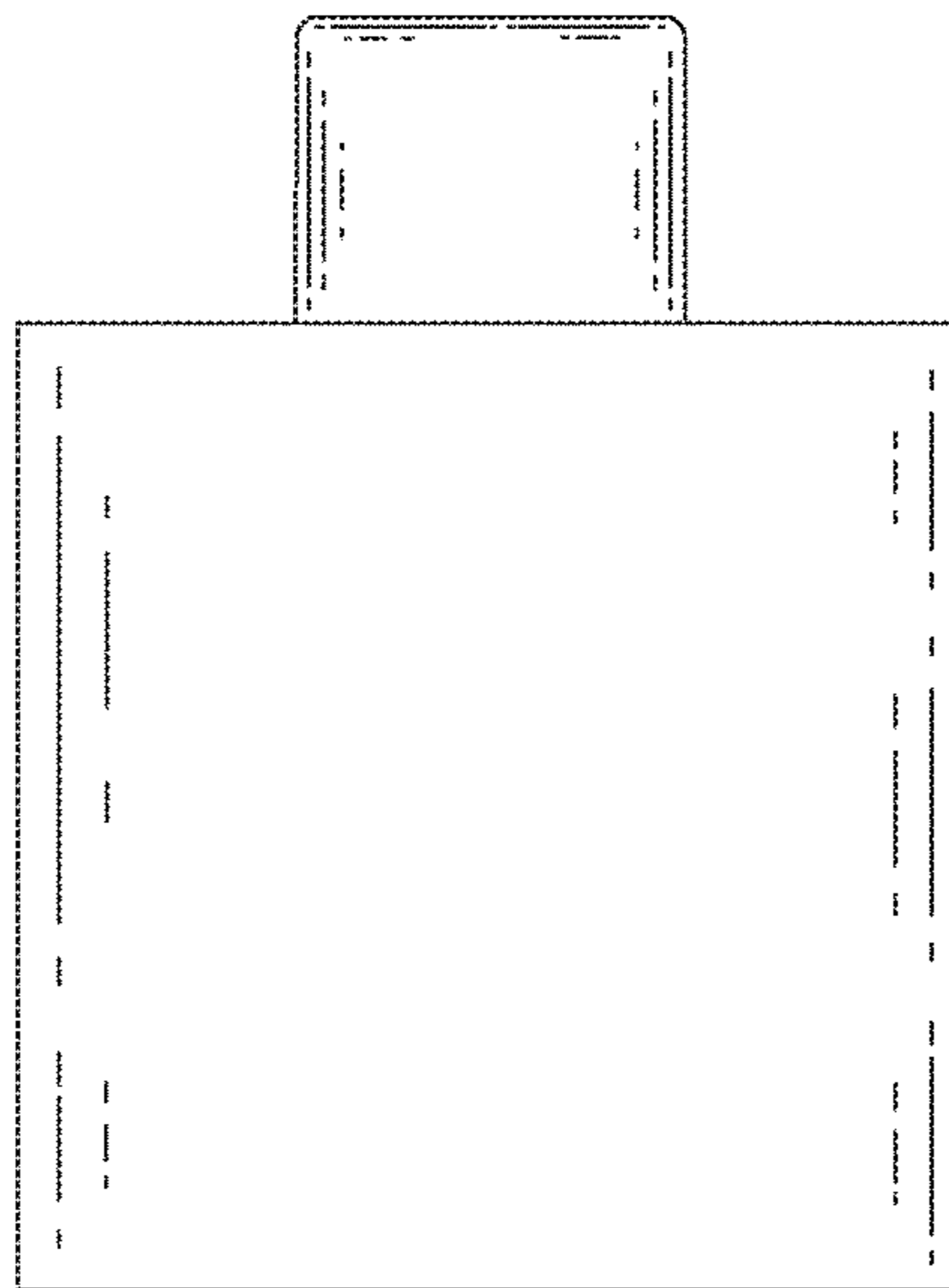


FIG. 7

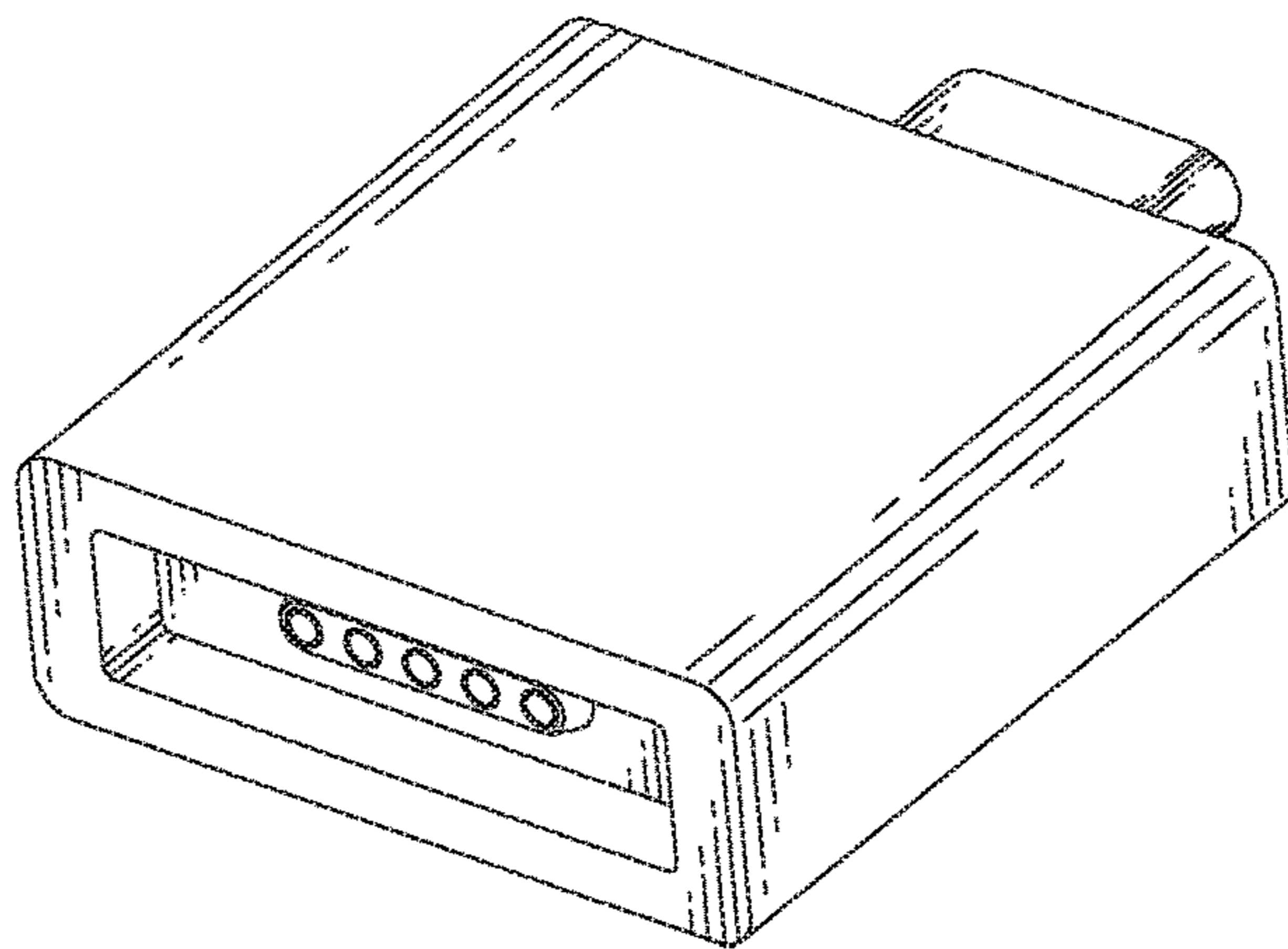


FIG. 8