



US00D867296S

(12) **United States Design Patent**
Cheng

(10) **Patent No.:** **US D867,296 S**

(45) **Date of Patent:** **** Nov. 19, 2019**

- (54) **VERTICAL SOCKET STRIP**
- (71) Applicant: **Chi-Wen Cheng**, Dongguan (CN)
- (72) Inventor: **Chi-Wen Cheng**, Dongguan (CN)
- (**) Term: **15 Years**

- 8,021,172 B2 * 9/2011 Shunjie H01R 27/02
174/480
- 8,882,536 B2 * 11/2014 Utz H01R 43/26
439/536
- 9,054,449 B2 * 6/2015 Utz H01R 13/5812
- 9,124,056 B1 * 9/2015 Lewis, Jr. H01R 39/64
- D800,663 S * 10/2017 Schulte D13/139.4
- 10,263,373 B2 * 4/2019 Byme H02J 4/00

- (21) Appl. No.: **29/650,321**
- (22) Filed: **Jun. 6, 2018**
- (51) **LOC (12) Cl.** **13-03**
- (52) **U.S. Cl.**
USPC **D13/137.4**
- (58) **Field of Classification Search**
USPC D13/107, 108, 110, 123, 133,
D13/137.1-137.4, 138.1-138.2,
D13/139.1-139.8, 152, 154, 184
CPC H01R 11/00; H01R 9/00; H01R 13/00;
H01R 13/04; H01R 13/10; H01R
13/6666; H01R 13/6675; H01R 25/00;
H01R 25/006; H01H 2207/00; H01H
2207/022
See application file for complete search history.

* cited by examiner

Primary Examiner — Rosemary K Tarcza
Assistant Examiner — Christy M Nemeth
(74) *Attorney, Agent, or Firm* — Leong C. Lei

(56) **References Cited**

U.S. PATENT DOCUMENTS

- 7,163,409 B1 * 1/2007 Chen H01R 25/006
439/131
- 7,341,463 B2 * 3/2008 Lai H01R 13/512
174/484

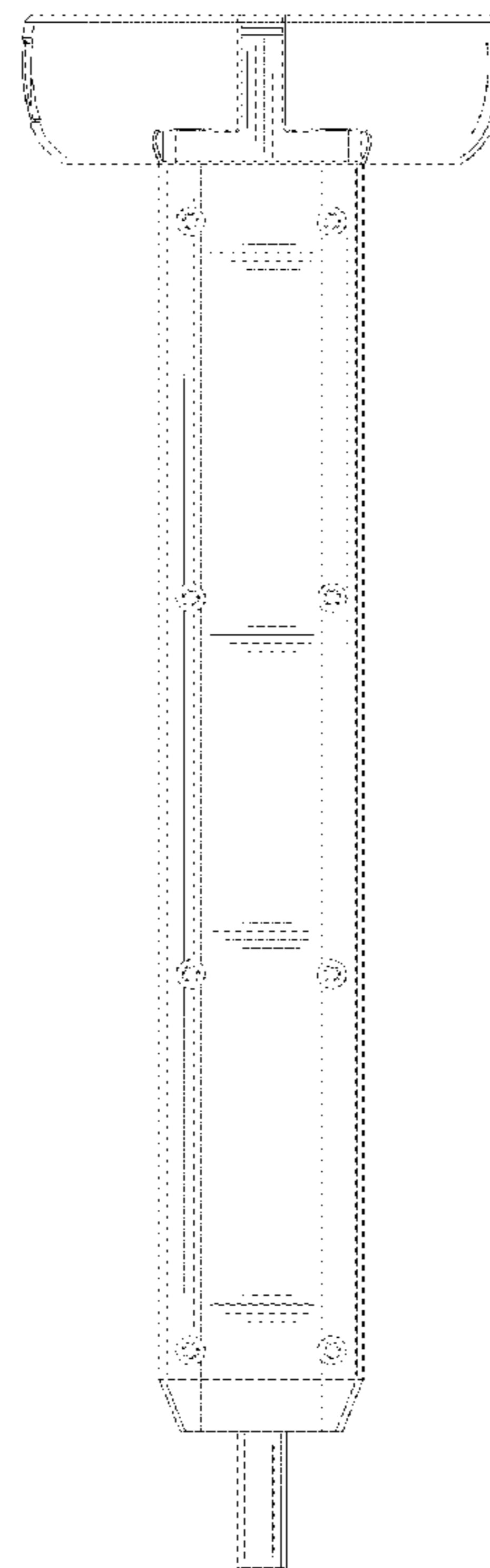
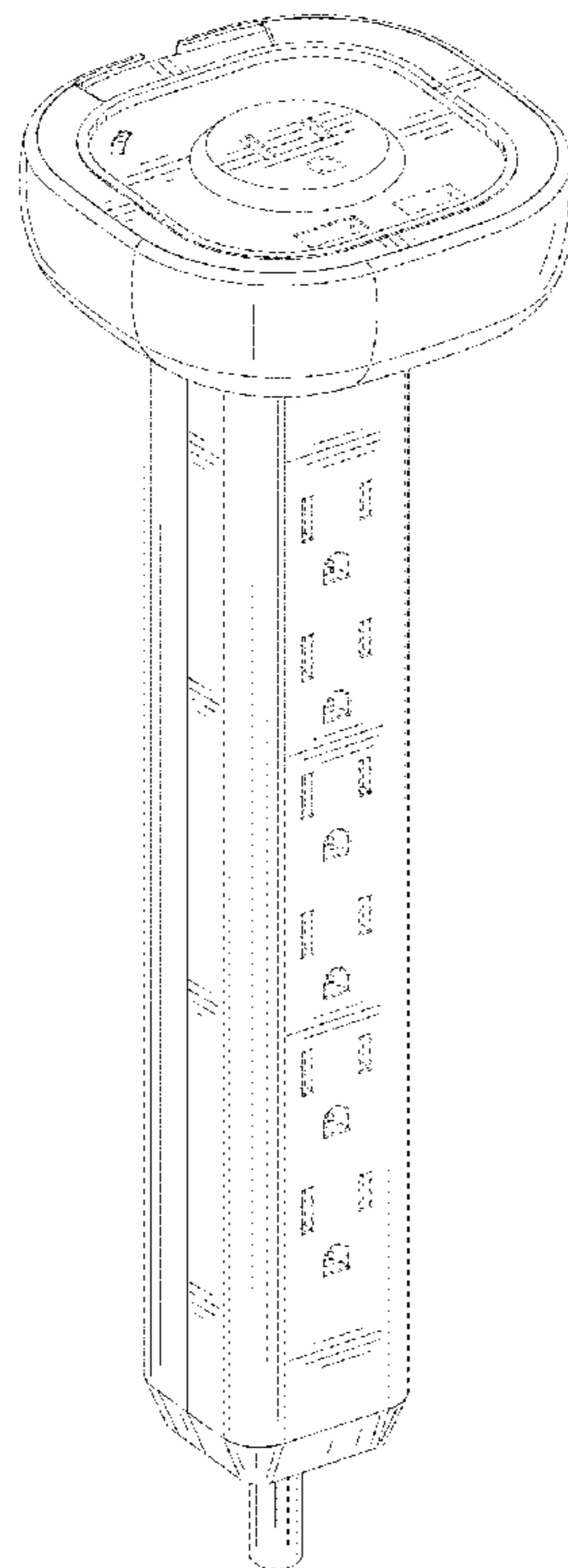
(57) **CLAIM**

The ornamental design for a vertical socket strip, as shown and described.

DESCRIPTION

FIG. 1 is a perspective view of a vertical socket strip showing my present design;
FIG. 2 is a front view thereof;
FIG. 3 is a rear view thereof;
FIG. 4 is a left side view thereof;
FIG. 5 is a right side view thereof;
FIG. 6 is a top view thereof; and,
FIG. 7 is a bottom view thereof.
The broken lines in the drawings are for the purpose of illustrating portions of the vertical socket strip that form no part of the claimed design.

1 Claim, 7 Drawing Sheets



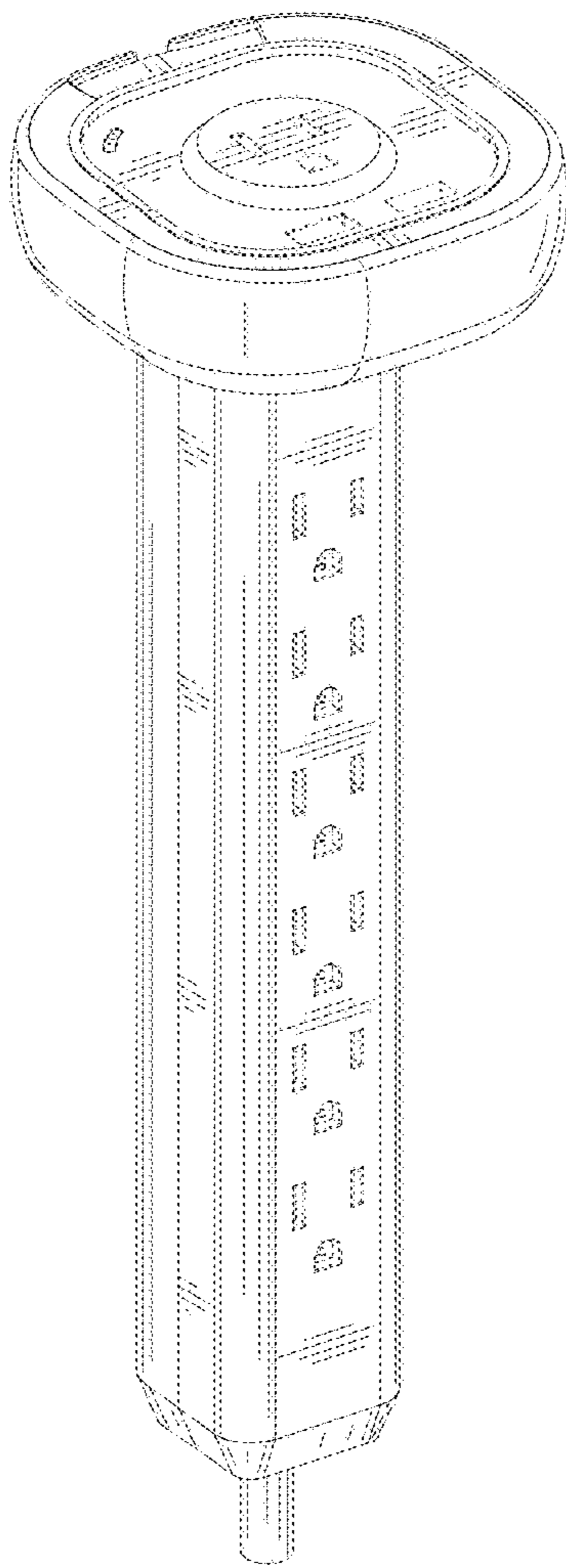


FIG. 1

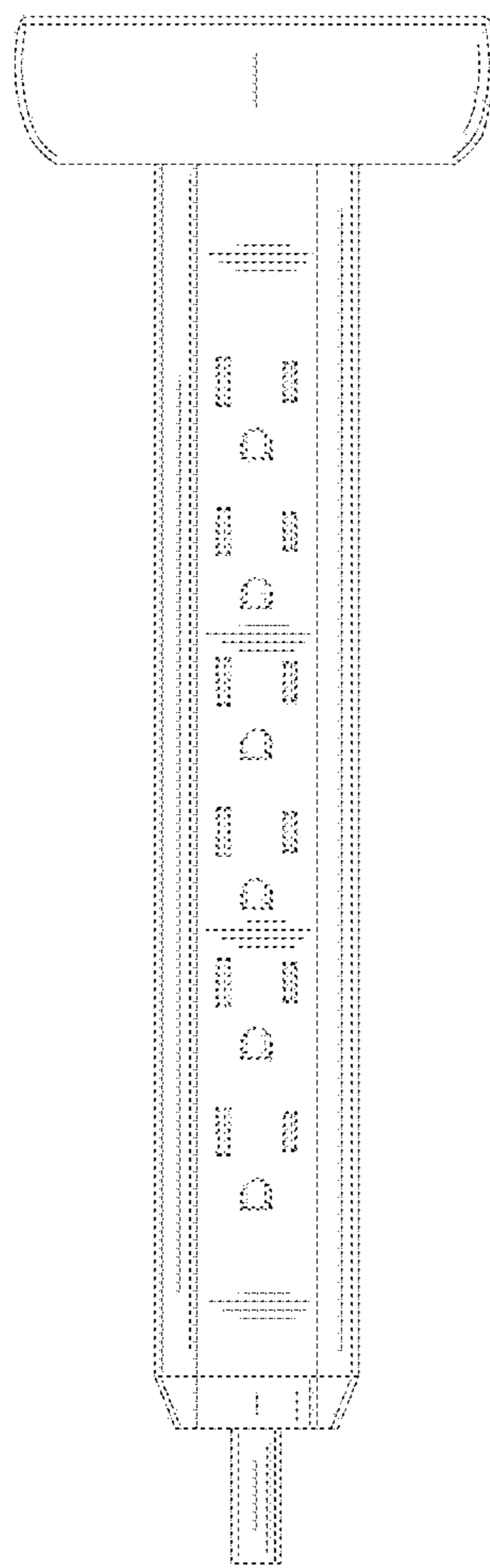


FIG. 2

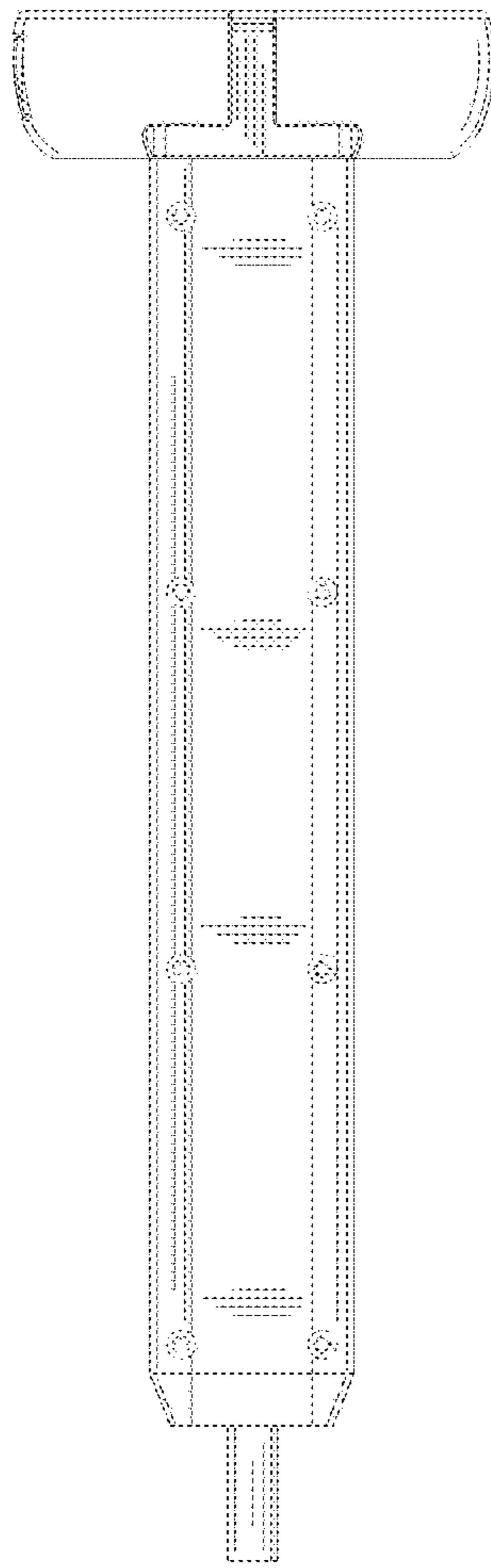


FIG. 3

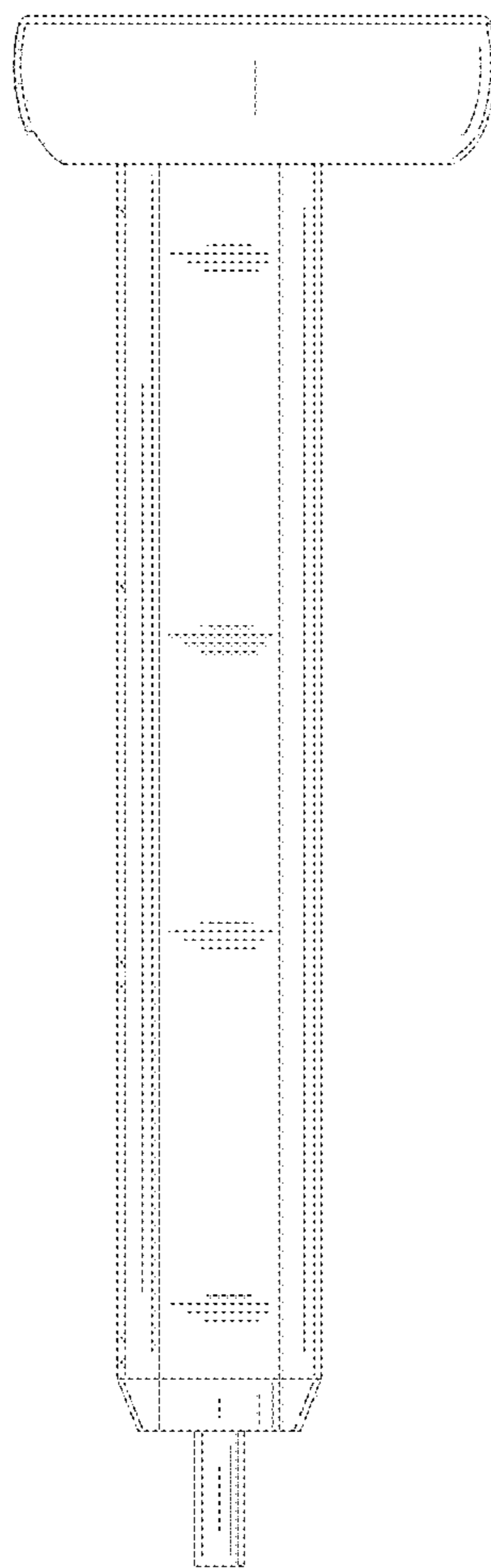


FIG. 4

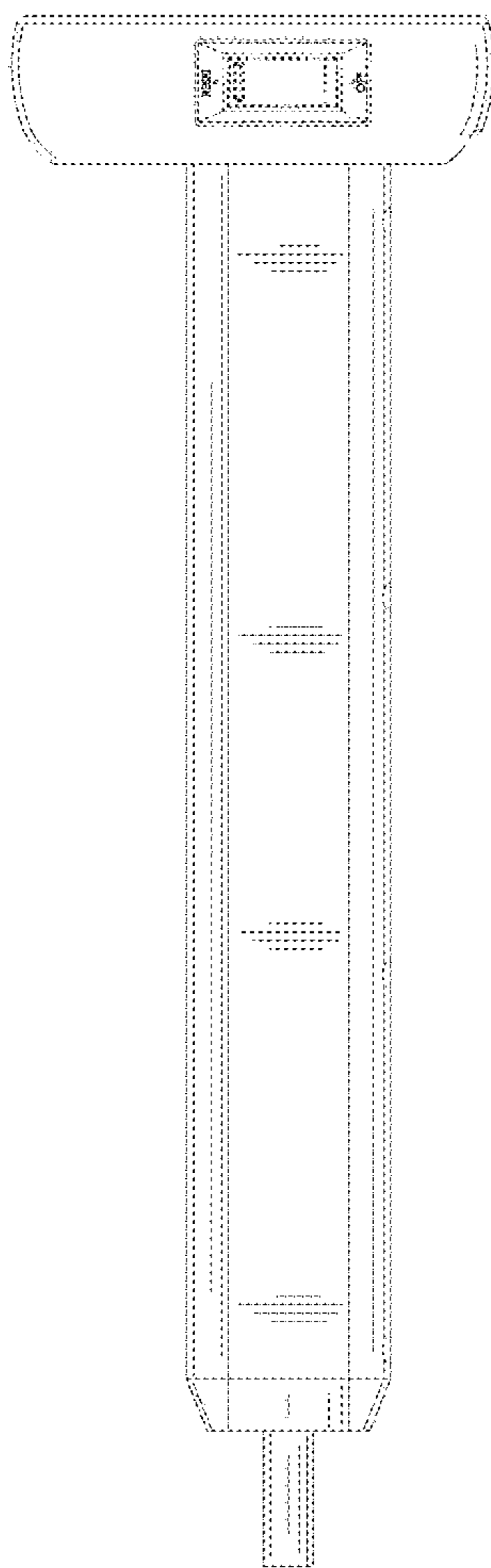


FIG. 5

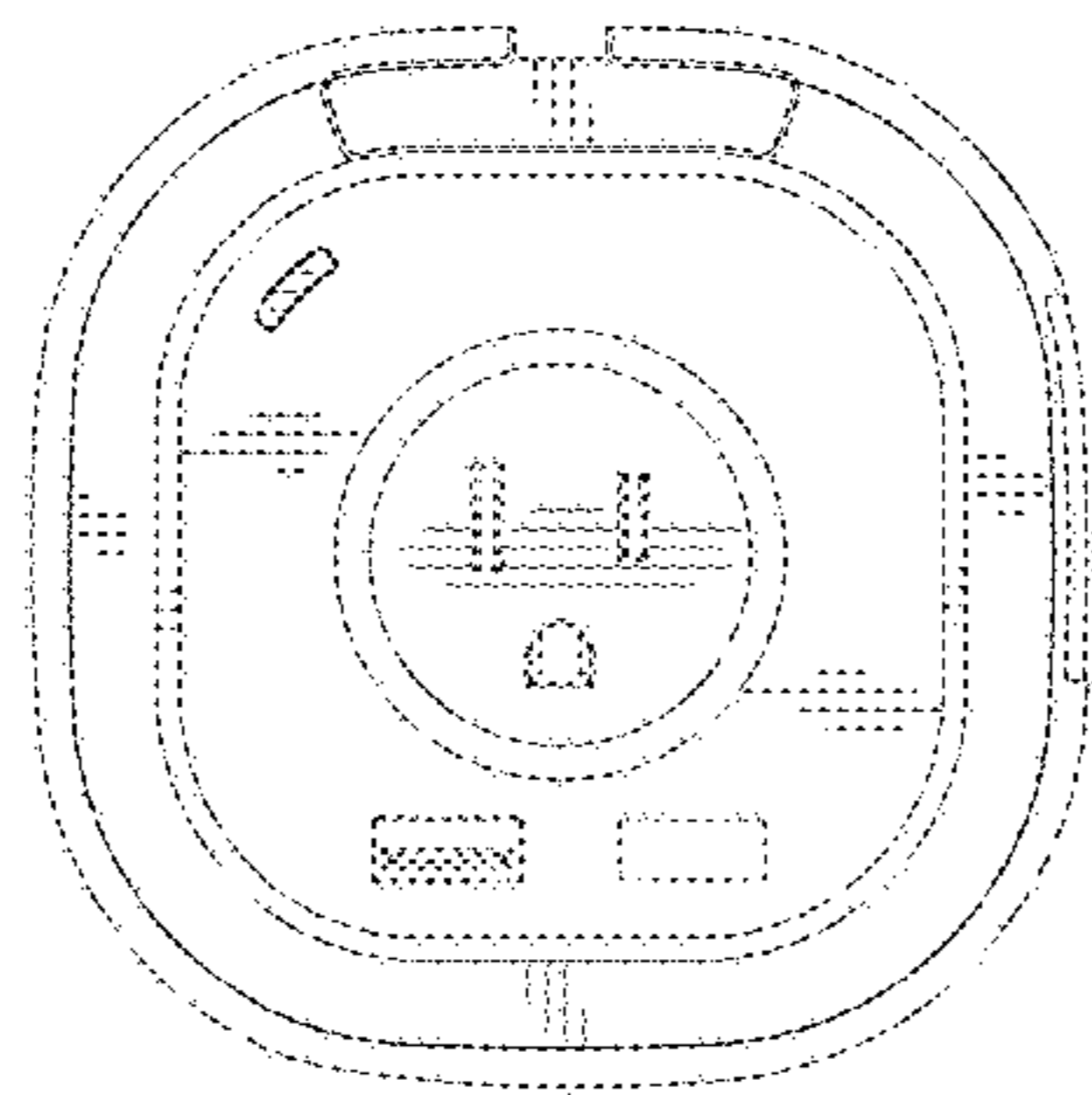


FIG. 6

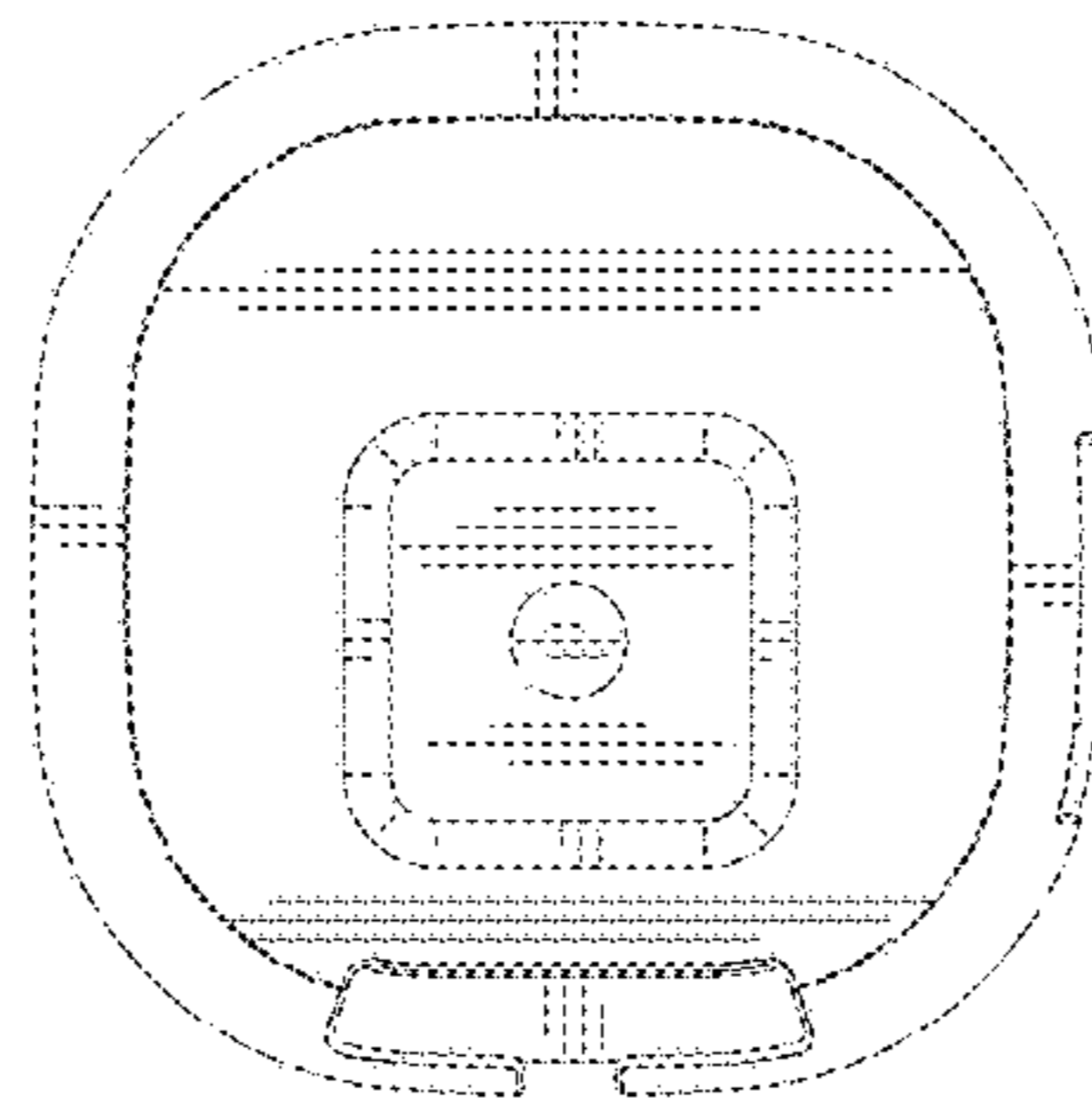


FIG. 7