



US00D867294S

(12) **United States Design Patent** (10) **Patent No.:** **US D867,294 S**
Kusano et al. (45) **Date of Patent:** **** Nov. 19, 2019**

(54) **POWER PLUG**

(71) Applicant: **Sonos, Inc.**, Santa Barbara, CA (US)

(72) Inventors: **Mieko Kusano**, Santa Barbara, CA (US); **Roland Bird**, Eindhoven (NL); **Niels van Hoof**, Eindhoven (NL); **Lukasz Natkaniec**, Munich (DE); **Wilfred Wei**, Shanghai (CN)

(73) Assignee: **Sonos, Inc.**, Santa Barbara, CA (US)

(**) Term: **15 Years**

(21) Appl. No.: **29/663,321**

(22) Filed: **Sep. 13, 2018**

Related U.S. Application Data

(63) Continuation of application No. 29/563,450, filed on May 4, 2016, now Pat. No. Des. 829,662, which is a (Continued)

(51) **LOC (12) Cl.** **13-03**

(52) **U.S. Cl.**
USPC **D13/137.1**

(58) **Field of Classification Search**
USPC D13/137.1–137.4, 138.1–138.2, D13/139.1–139.8, 110, 156, 108, 107 (Continued)

(56) **References Cited**

U.S. PATENT DOCUMENTS

D150,410 S * 8/1948 Giammatteo D13/138.1
2,771,590 A 11/1956 Nauslar
(Continued)

FOREIGN PATENT DOCUMENTS

CN 305036806 S 2/2019
EM 002150193-0001 12/2012
(Continued)

OTHER PUBLICATIONS

“Serv Swtich Power Adapter with PS/2 Connector—PSMD6—R2”,
Published on Aug. 6, 2012, 1 pg.

(Continued)

Primary Examiner — Rhea Shields
(74) *Attorney, Agent, or Firm* — KPPB LLP

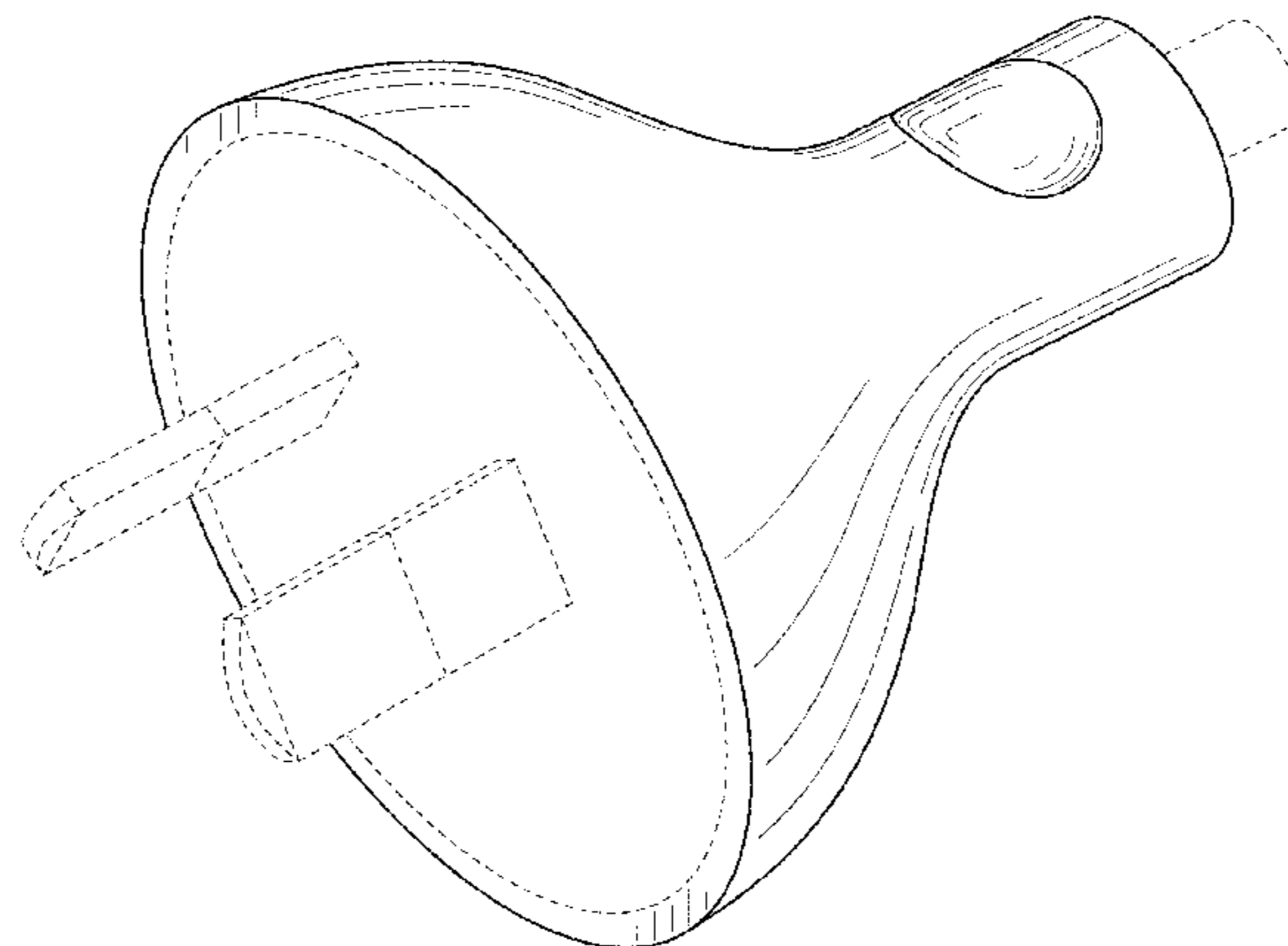
(57) **CLAIM**

The ornamental design for a “power plug”, as shown and described.

DESCRIPTION

FIG. 1 is a front perspective view of a power plug. FIG. 2 is a front side view of the device of FIG. 1. FIG. 3 is a rear side view of the device of FIG. 1. FIG. 4 is a left side view of the device of FIG. 1. FIG. 5 is a right side view of the device of FIG. 1. FIG. 6 is a top side view of the device of FIG. 1. FIG. 7 is a bottom side view of the device of FIG. 1. FIG. 8 is a front perspective view of a power plug. FIG. 9 is a front side view of the device of FIG. 8. FIG. 10 is a rear side view of the device of FIG. 8. FIG. 11 is a left side view of the device of FIG. 8. FIG. 12 is a right side view of the device of FIG. 8. FIG. 13 is a top side view of the device of FIG. 8. FIG. 14 is a bottom side view of the device of FIG. 8. FIG. 15 is a front perspective view of a power plug. FIG. 16 is a front side view of the device of FIG. 15. FIG. 17 is a rear side view of the device of FIG. 15. FIG. 18 is a left side view of the device of FIG. 15. FIG. 19 is a right side view of the device of FIG. 15. FIG. 20 is a top side view of the device of FIG. 15; and, FIG. 21 is a bottom side view of the device of FIG. 15. In the drawings, the broken lines are for the purpose of illustrating environment only and form no part of the claimed design.

1 Claim, 12 Drawing Sheets



Related U.S. Application Data

continuation of application No. 29/489,649, filed on May 1, 2014, now Pat. No. Des. 760,167.

(58) **Field of Classification Search**

CPC H01R 13/5808

See application file for complete search history.

(56) **References Cited**

U.S. PATENT DOCUMENTS

3,382,355 A 5/1968 Prifogle
 3,495,205 A 2/1970 Ricci
 D243,090 S * 1/1977 Lawrence D13/139.7
 D243,244 S * 2/1977 Creamer D13/138.1
 D253,409 S 11/1979 Voelkert
 D257,035 S 9/1980 Ostrellich et al.
 4,954,091 A 9/1990 Marble
 D339,566 S 9/1993 Okamoto
 D339,567 S 9/1993 Okamoto
 D347,621 S * 6/1994 Rinker D13/138.2
 D353,362 S 12/1994 Dolson
 5,622,509 A * 4/1997 Smythe H01R 13/652
 439/103
 D422,558 S 4/2000 Reiss
 D434,377 S 11/2000 Bussett et al.
 D484,460 S 12/2003 Cheng et al.
 D485,239 S * 1/2004 Whalin D13/137.4
 D493,142 S * 7/2004 Siu D13/138.1
 D495,996 S * 9/2004 Parel D13/138.1
 D498,462 S 11/2004 Andre
 D509,187 S 9/2005 Levine et al.
 D585,378 S * 1/2009 Haber D13/138.2
 D587,192 S * 2/2009 McGinley D13/110
 D610,993 S * 3/2010 Fahrendorff D13/138.1
 D611,409 S * 3/2010 Green D13/110
 D617,275 S 6/2010 Fahrendorff et al.
 D617,277 S 6/2010 Fahrendorff et al.
 D620,889 S * 8/2010 Smith D13/108
 D623,594 S 9/2010 Akana et al.
 D627,728 S * 11/2010 Smith D13/108
 D635,919 S * 4/2011 Ahola D13/138.1
 D635,920 S * 4/2011 Smith D13/138.1
 D640,631 S * 6/2011 Smith D13/138.1
 8,021,183 B2 9/2011 Early et al.
 D659,095 S 5/2012 McManigal
 D660,796 S * 5/2012 Wen D13/110
 8,215,009 B2 7/2012 Early et al.
 D669,434 S * 10/2012 Kim D13/110
 D675,159 S 1/2013 Smith et al.
 D676,810 S * 2/2013 Smith D13/110
 D680,492 S * 4/2013 Smith D13/110
 8,517,766 B2 8/2013 Golko et al.
 D692,379 S 10/2013 Bae et al.
 D692,384 S * 10/2013 Galloway D13/138.1
 D697,481 S * 1/2014 Akana D13/138.1
 8,647,156 B2 2/2014 Golko et al.
 D705,733 S 5/2014 Zaslavsky et al.
 8,734,178 B2 * 5/2014 Inagaki H01R 13/5808
 439/369
 D706,220 S * 6/2014 Zaslavsky D13/137.2
 D707,626 S 6/2014 Atkinson et al.
 8,753,132 B2 * 6/2014 Scritzky H01R 24/30
 439/106

D708,149 S * 7/2014 Auguste D13/156
 D708,586 S 7/2014 Auguste et al.
 D711,823 S * 8/2014 Akana D13/110
 D712,829 S * 9/2014 Huang D13/110
 D716,225 S 10/2014 Akana et al.
 D721,037 S 1/2015 Kelly
 D729,160 S * 5/2015 Levy D13/110
 D731,970 S 6/2015 Kamath
 D734,261 S 7/2015 Kelly
 D740,232 S * 10/2015 Auguste D13/156
 D742,315 S 11/2015 Dang
 D746,291 S 12/2015 Solomon et al.
 D746,773 S 1/2016 Andre et al.
 D750,571 S 3/2016 Auguste et al.
 D751,039 S * 3/2016 Ptok D13/138.1
 D760,167 S * 6/2016 Kusano D13/138.1
 D760,720 S 7/2016 Laffon de Mazieres et al.
 D761,262 S 7/2016 Solomon et al.
 D763,190 S 8/2016 Akana et al.
 D763,794 S 8/2016 Akana et al.
 D778,835 S * 2/2017 Akana D13/110
 D779,492 S 2/2017 Lin
 D784,263 S * 4/2017 Xu D13/138.2
 D784,340 S 4/2017 Laffon de Mazieres et al.
 D788,033 S 5/2017 Tiainen
 D795,816 S 8/2017 He et al.
 D796,447 S 9/2017 Kusano et al.
 D798,806 S * 10/2017 Soriano D13/108
 D800,077 S 10/2017 Windstrup et al.
 D800,731 S 10/2017 He
 D804,291 S 12/2017 Fawcett et al.
 D810,748 S 2/2018 Zhang
 D810,749 S 2/2018 Zhang
 D814,471 S 4/2018 Kim et al.
 D823,261 S 7/2018 Uggla
 D824,388 S 7/2018 Fawcett et al.
 D826,173 S 8/2018 Chen
 D829,662 S * 10/2018 Kusano D13/137.1
 D832,263 S 10/2018 Chen
 D832,849 S 11/2018 Kim et al.
 D854,016 S 7/2019 Laine et al.
 2013/0183005 A1 7/2013 Lu
 2015/0135491 A1 5/2015 Leng et al.
 2016/0294135 A1 10/2016 Susini et al.

FOREIGN PATENT DOCUMENTS

EM 002184184-0002 2/2013
 EM 004998508 3/2018
 JP HD22002990 7/2010
 JP HJ24023529 8/2012
 JP HH24440053 12/2012
 JP 1625964 2/2019

OTHER PUBLICATIONS

“The design of connector”, Published on Dec. 10, 2012, 4 pgs.
 “The design of connector”, Published on Jul. 23, 2010, 1 pg.
 “Notification of Grant of Patent Rights for a Design Patent”, issued by the State Intellectual Property Office of the P.R. China, in connection with Chinese Patent Application No. 201430416108.X, on Apr. 20, 2015, 4 pgs.

* cited by examiner

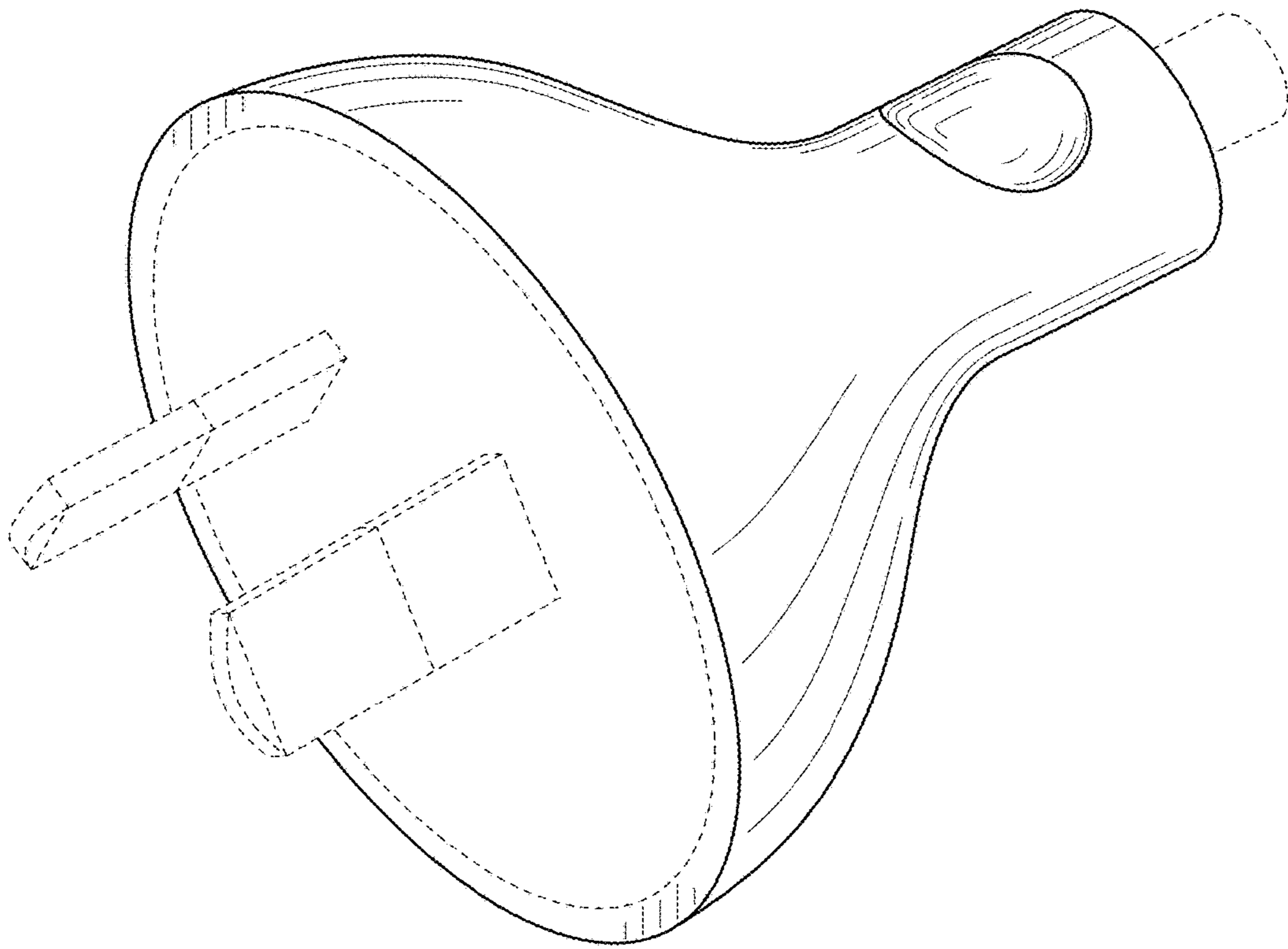


FIG. 1

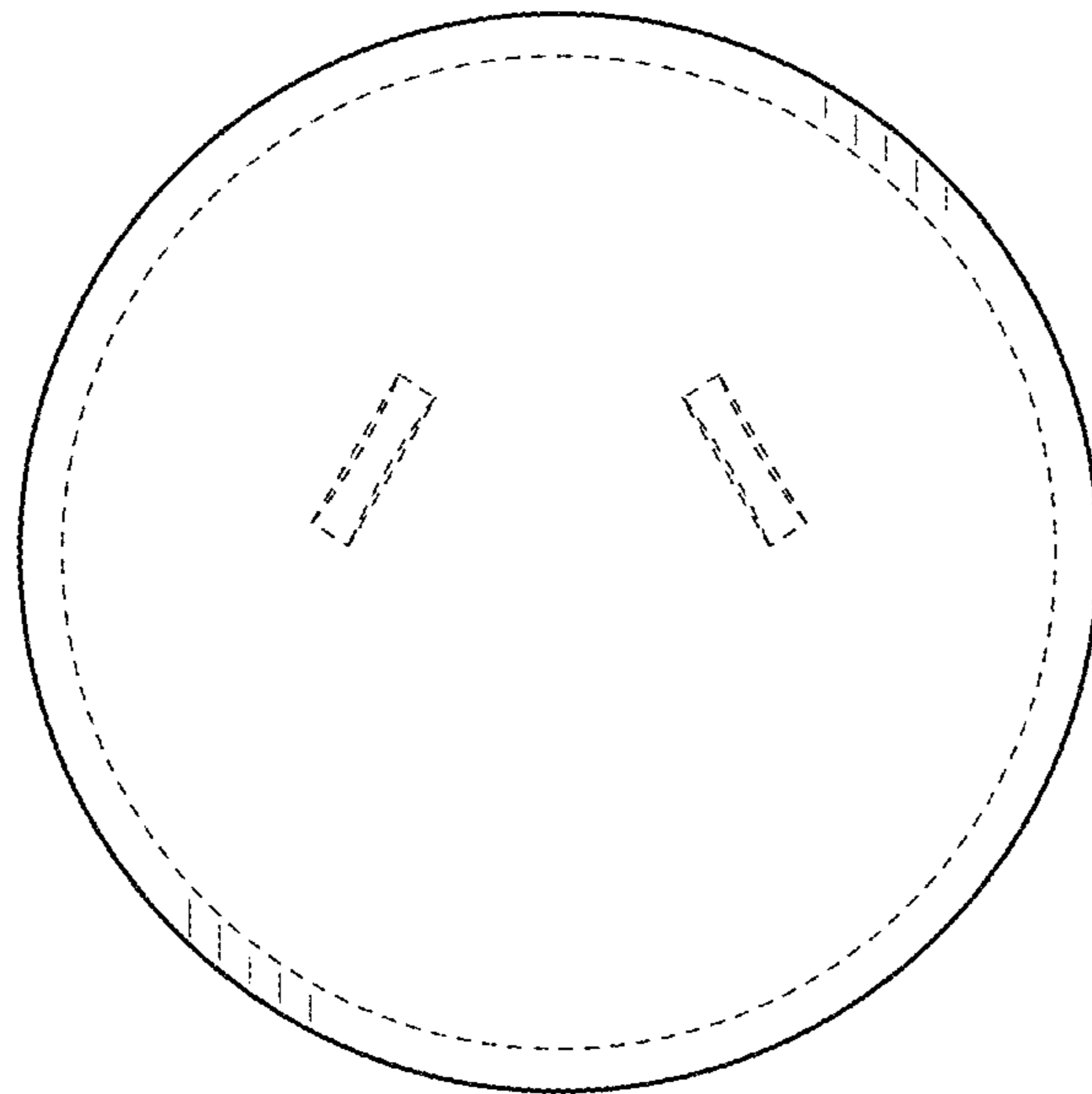


FIG. 2

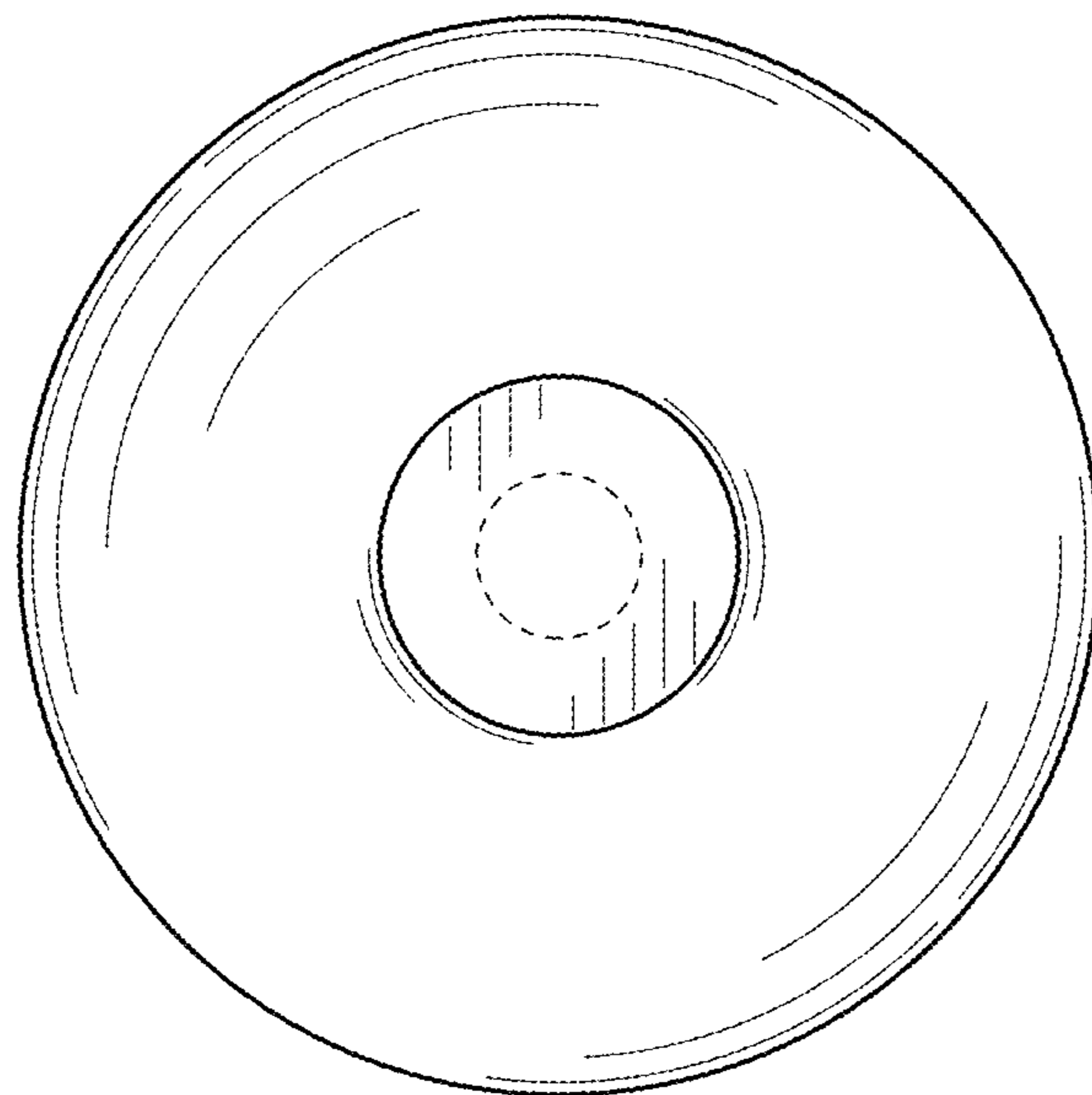


FIG. 3

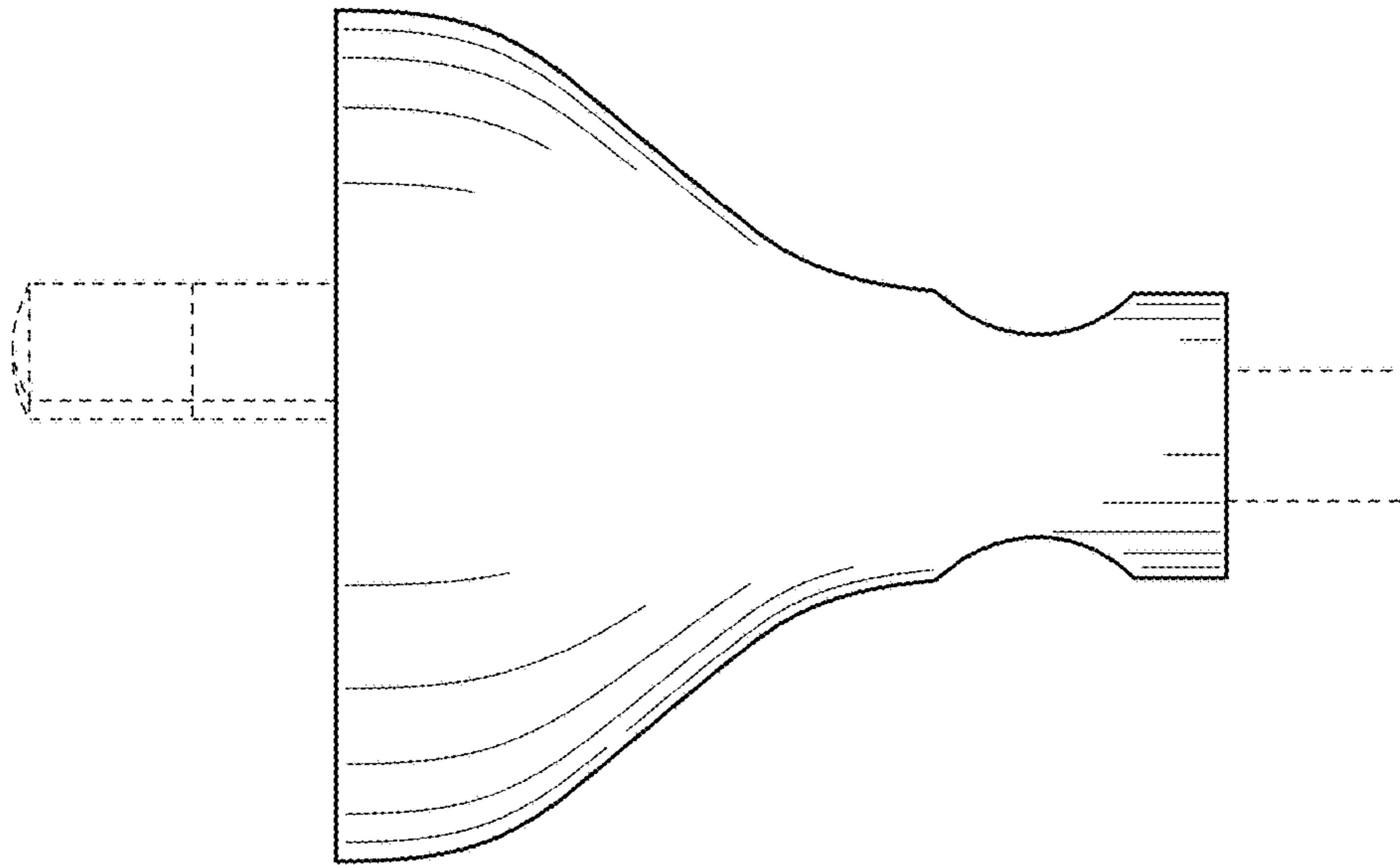


FIG. 4

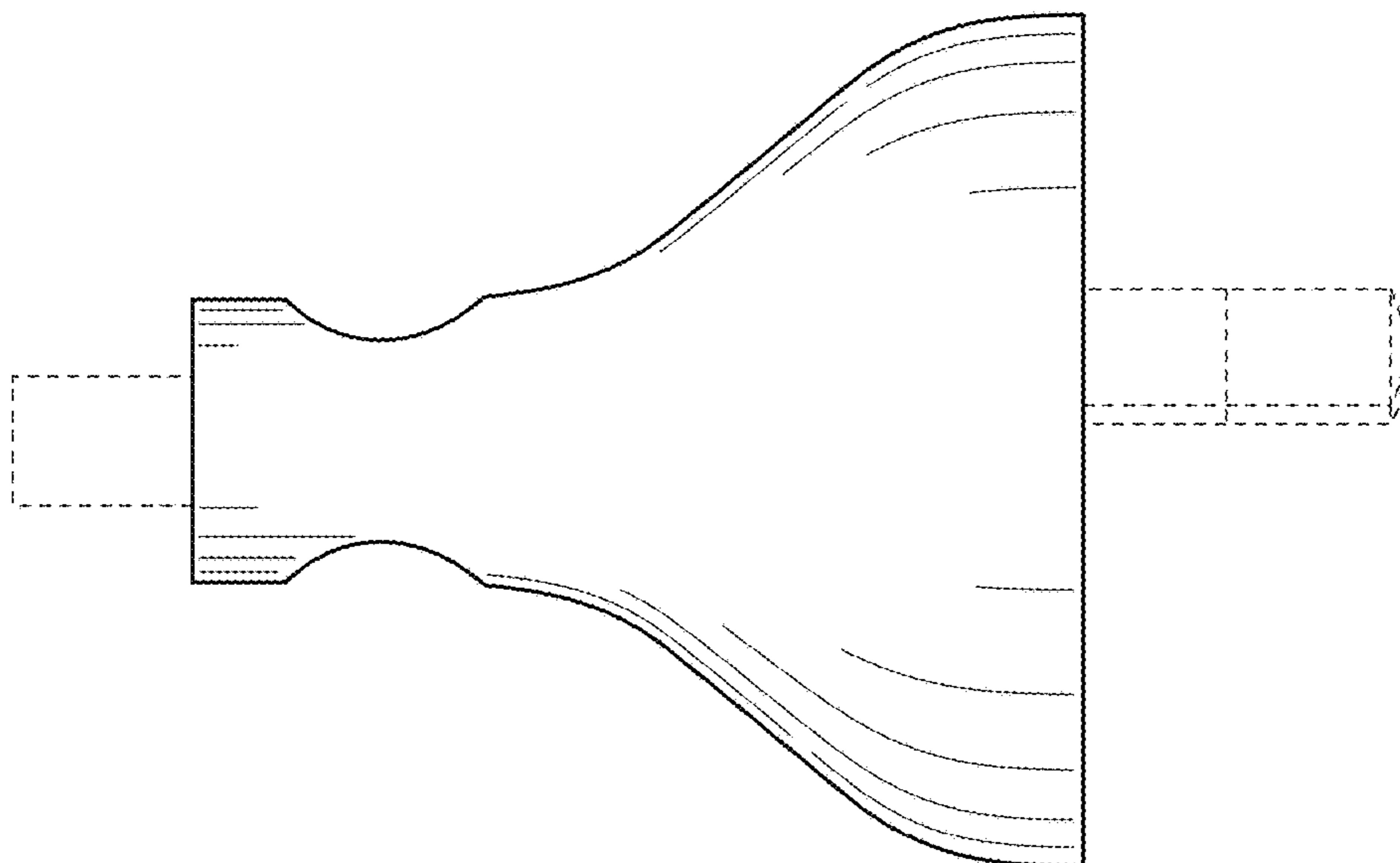


FIG. 5

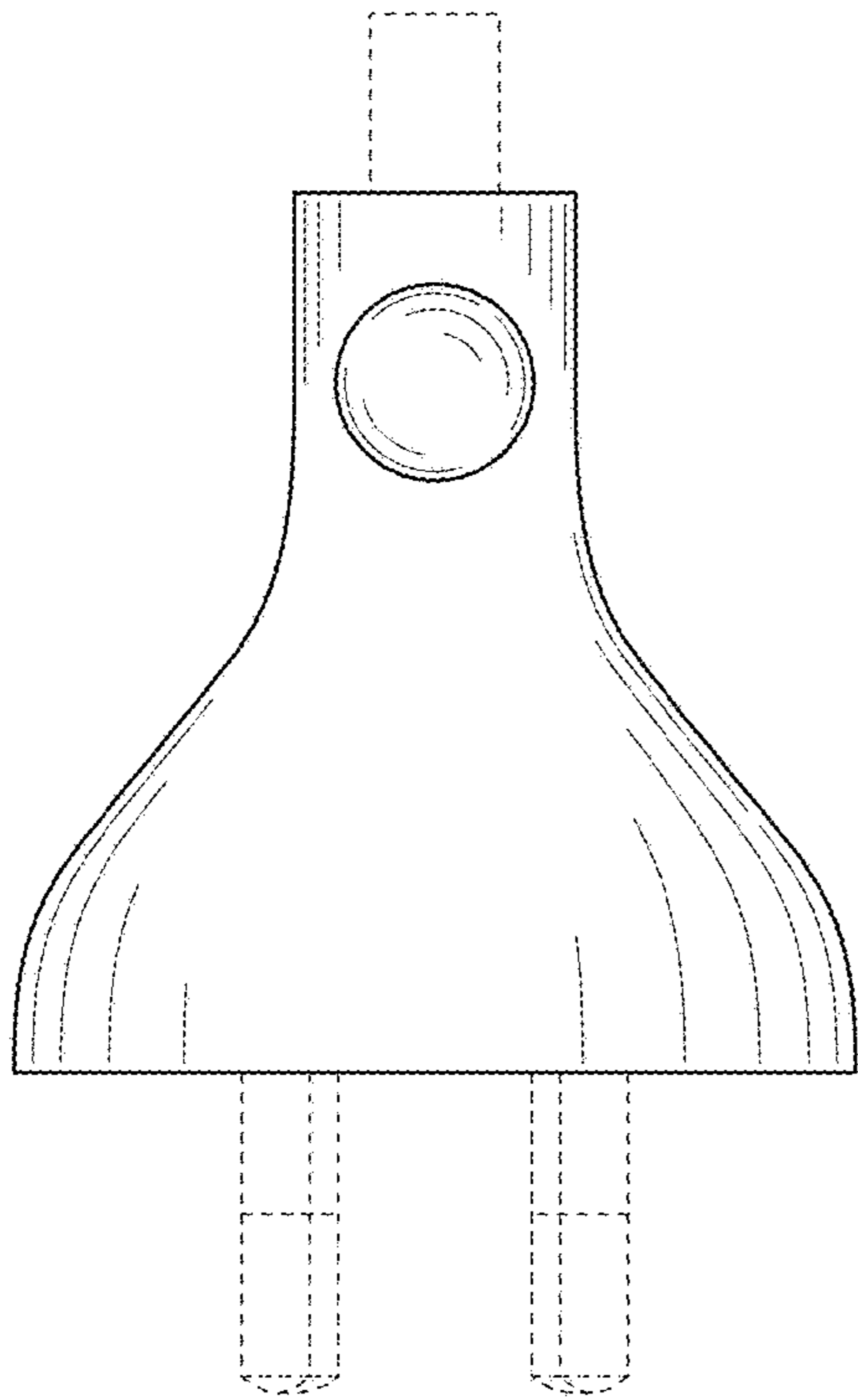


FIG. 6

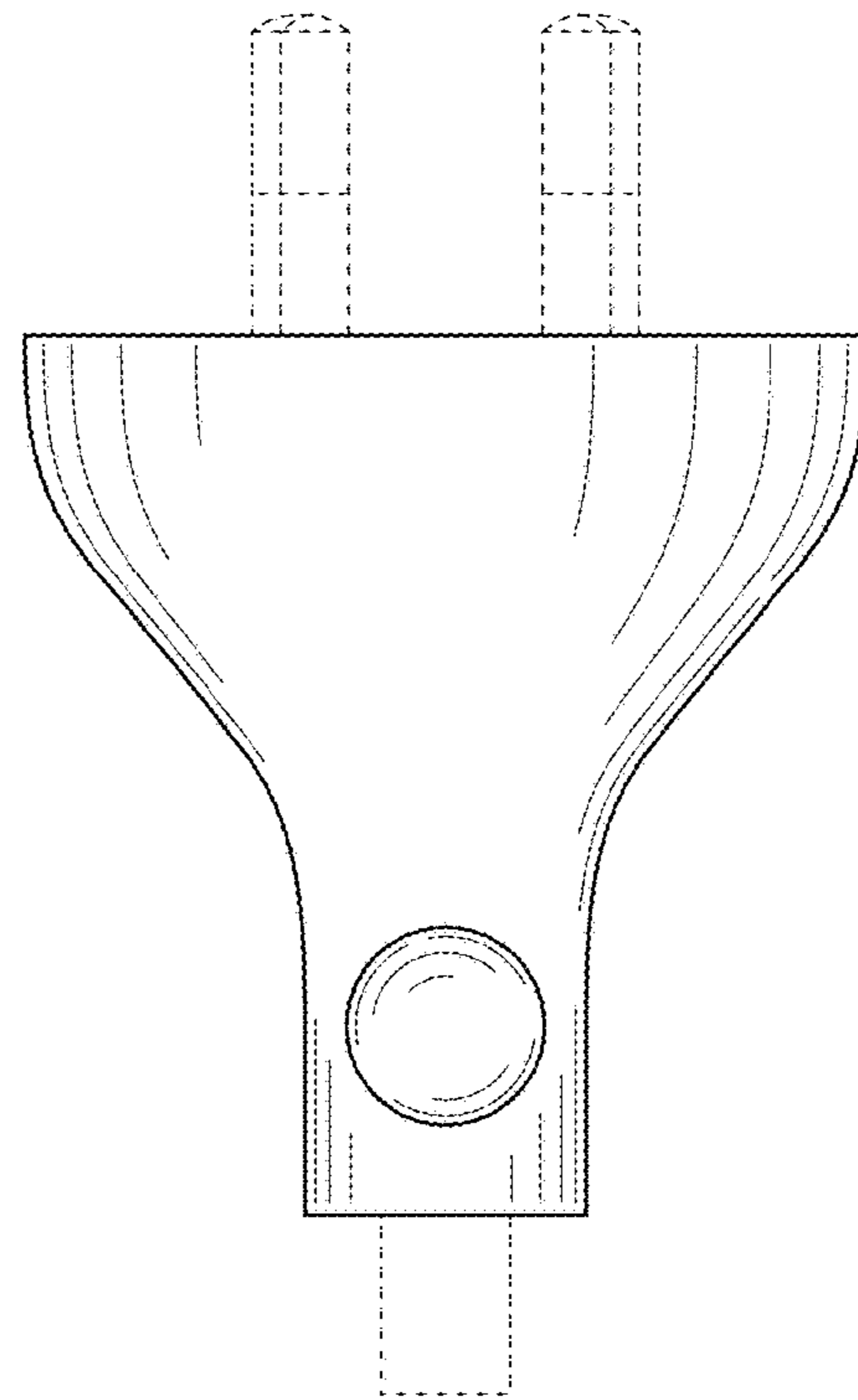


FIG. 7

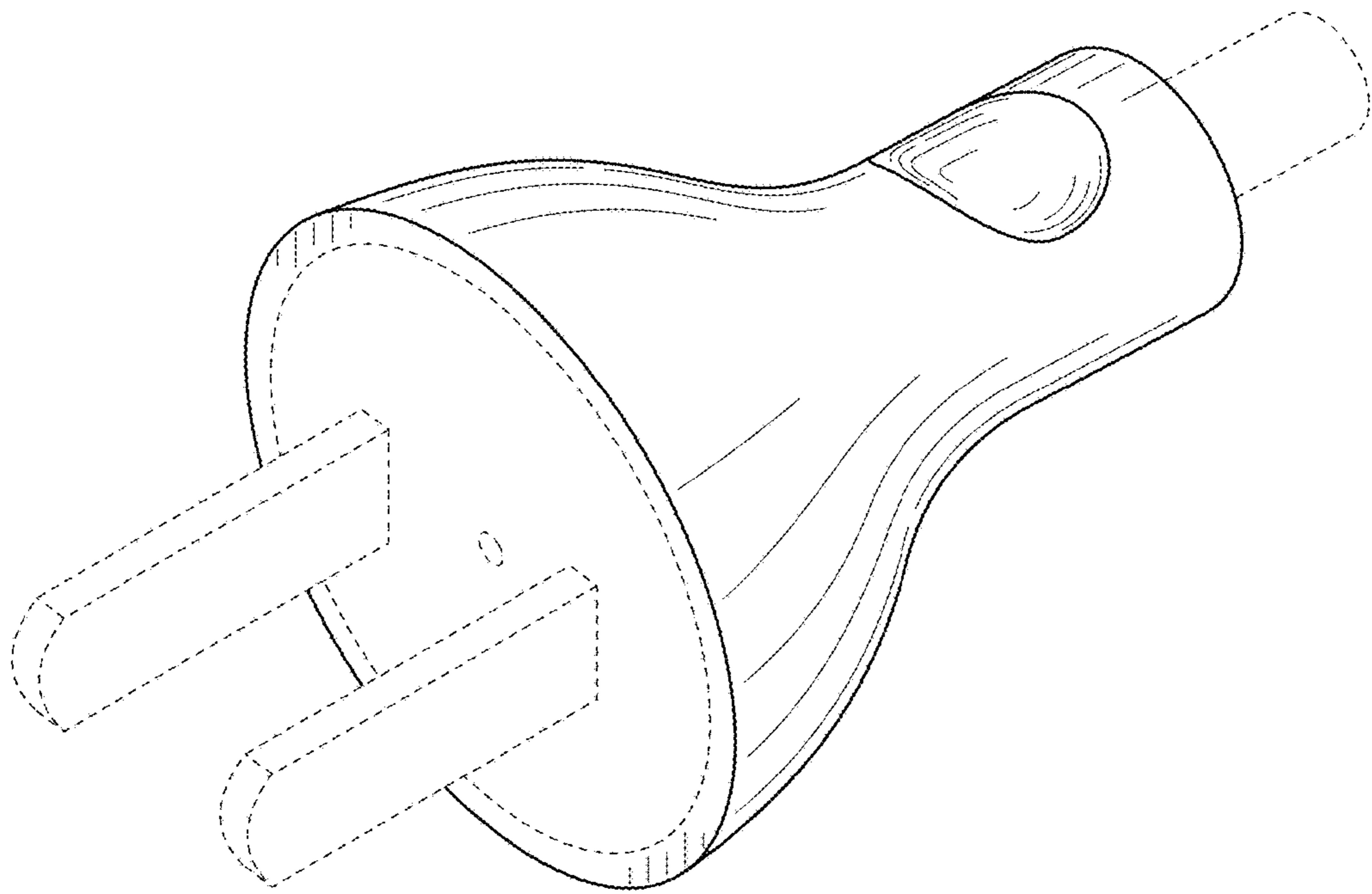


FIG. 8

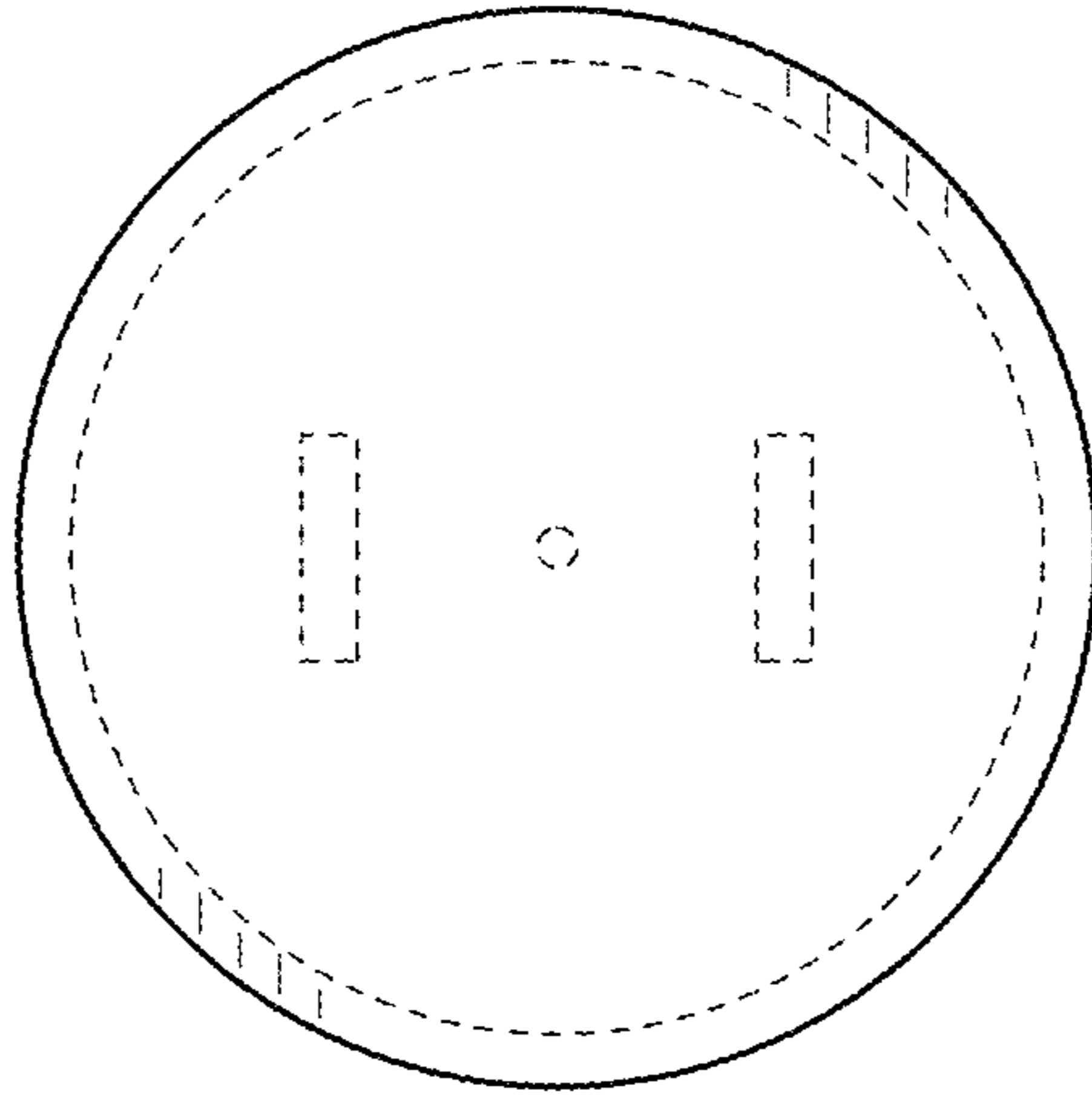


FIG. 9

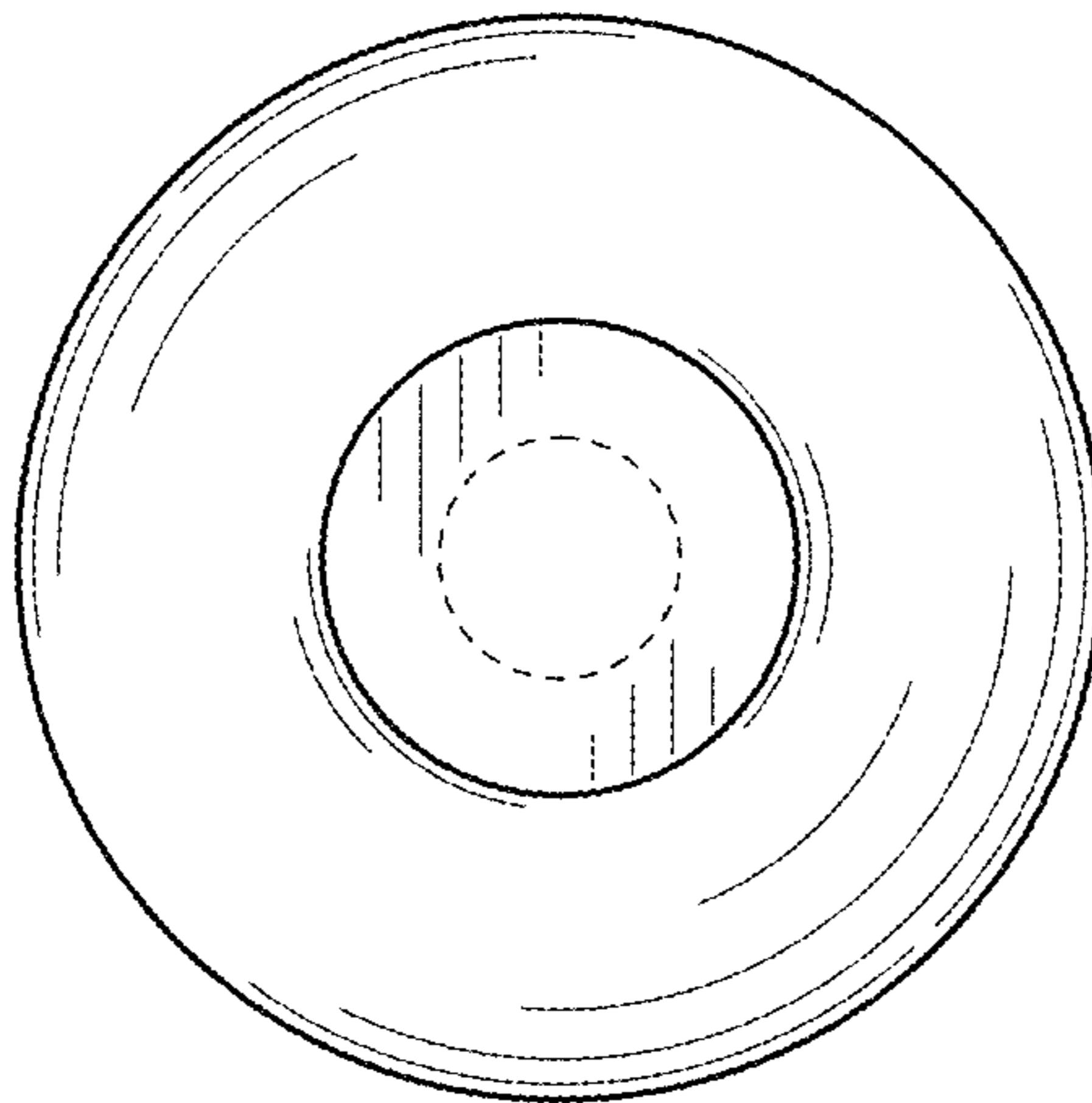


FIG. 10

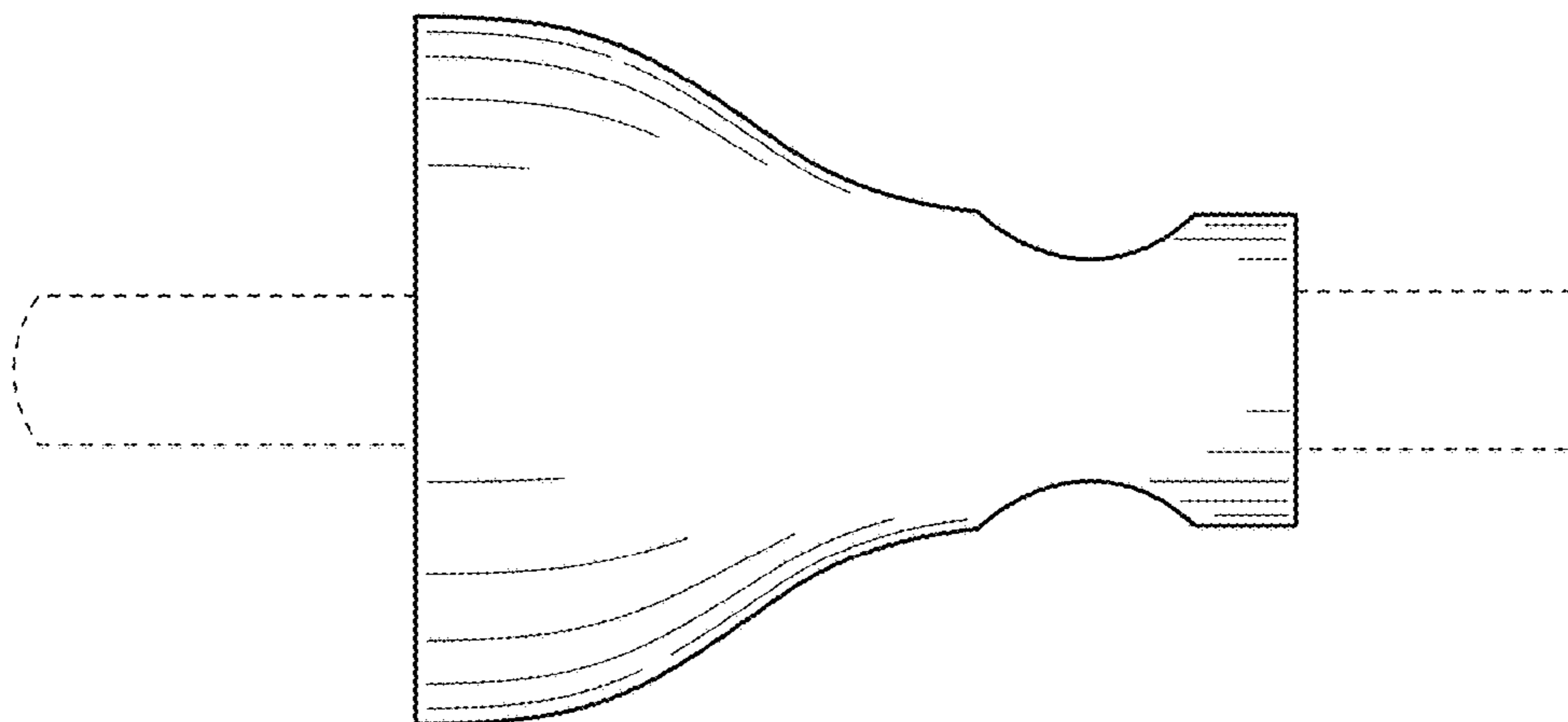


FIG. 11

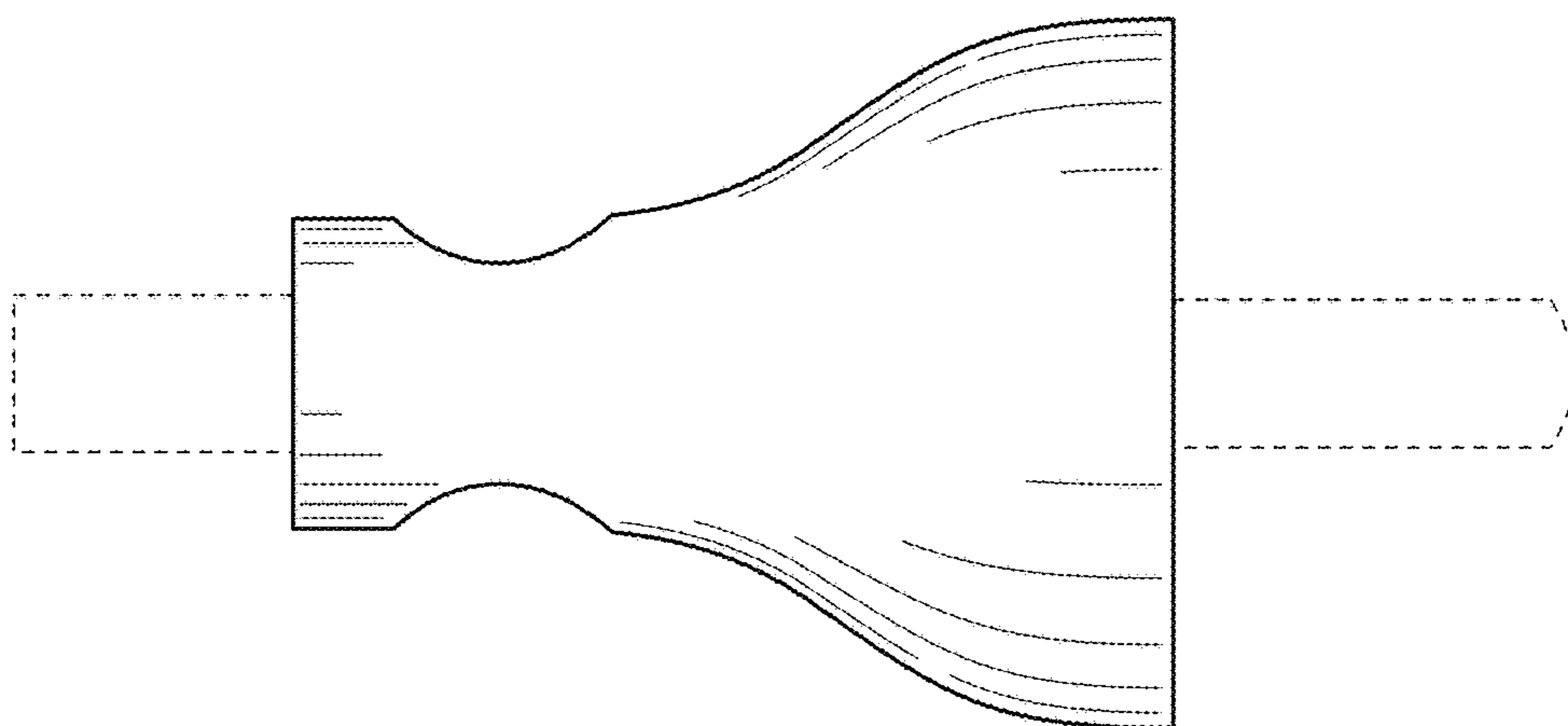


FIG. 12

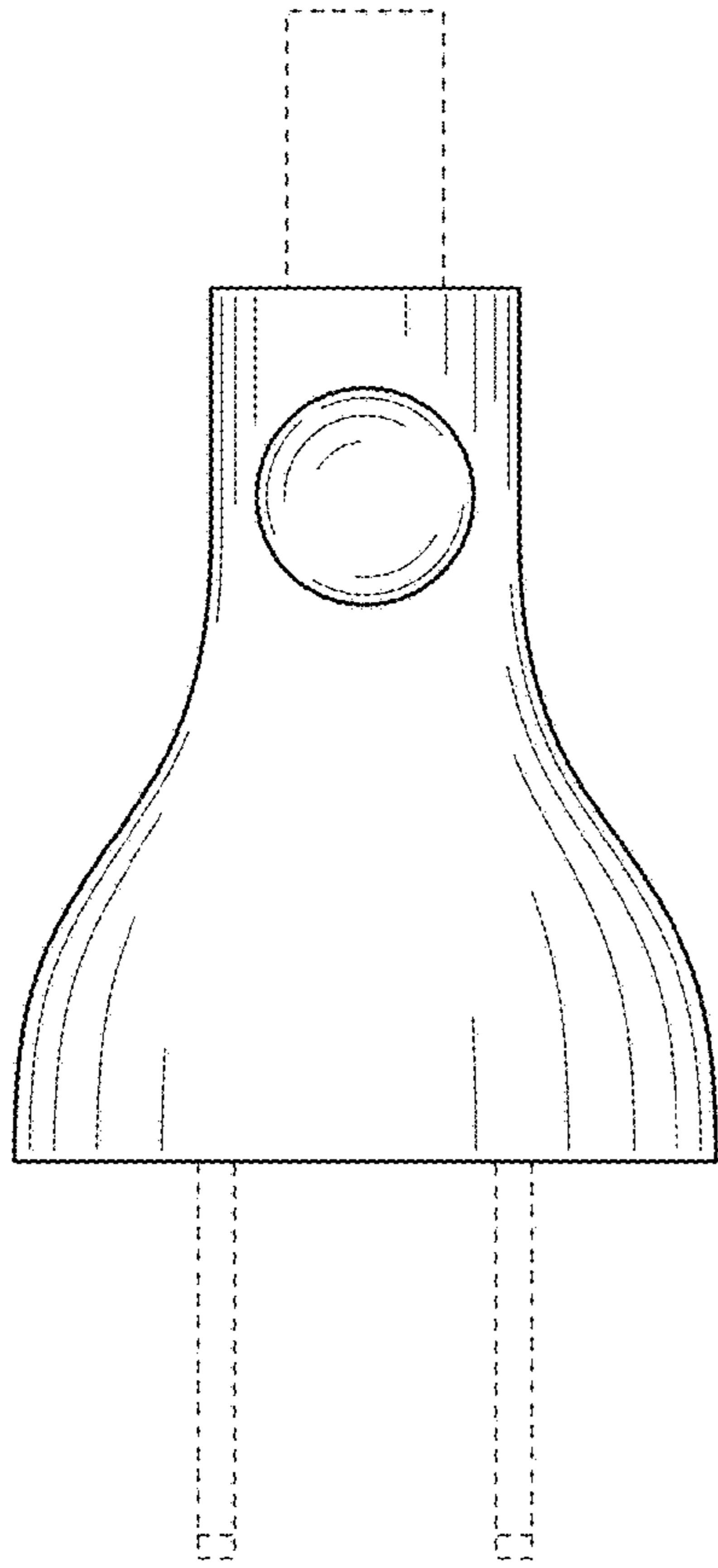


FIG. 13

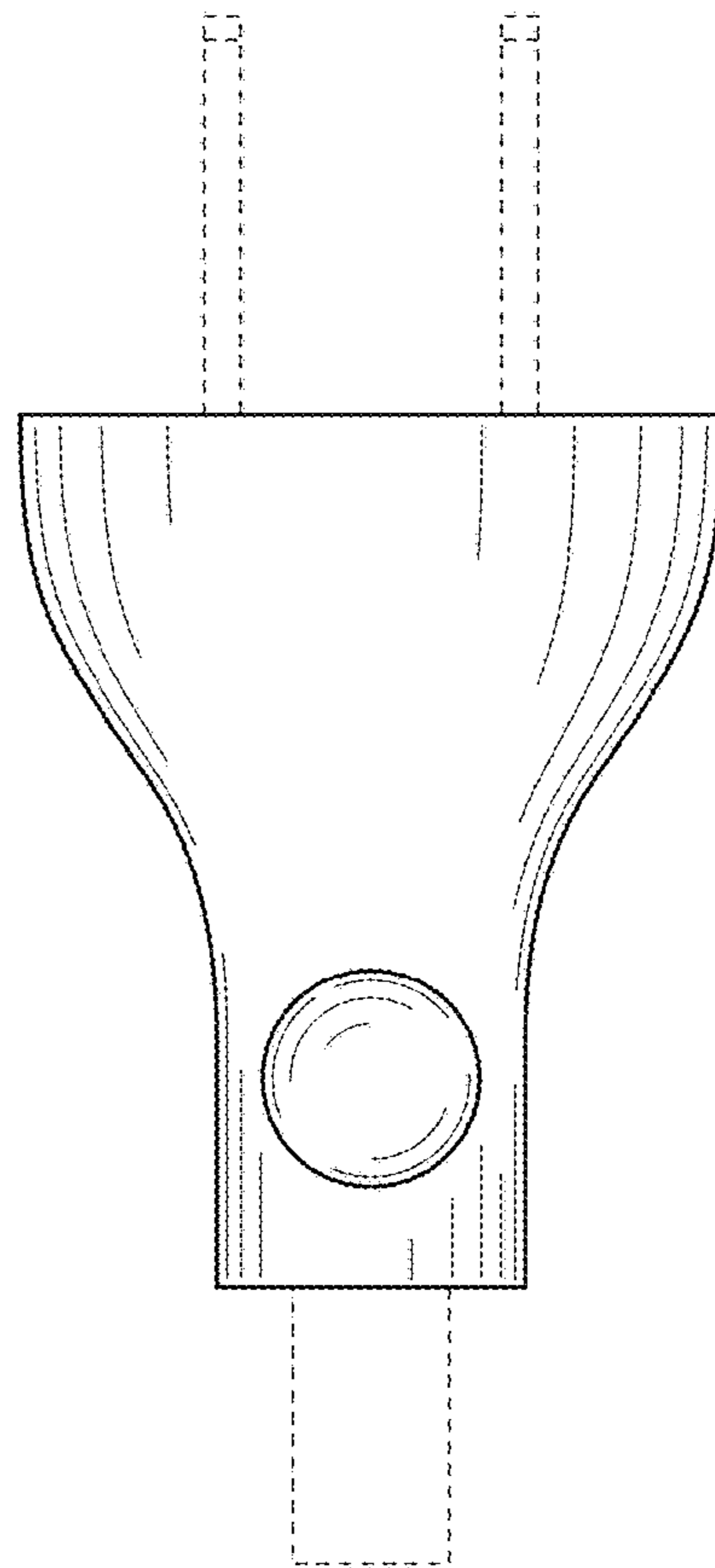


FIG. 14

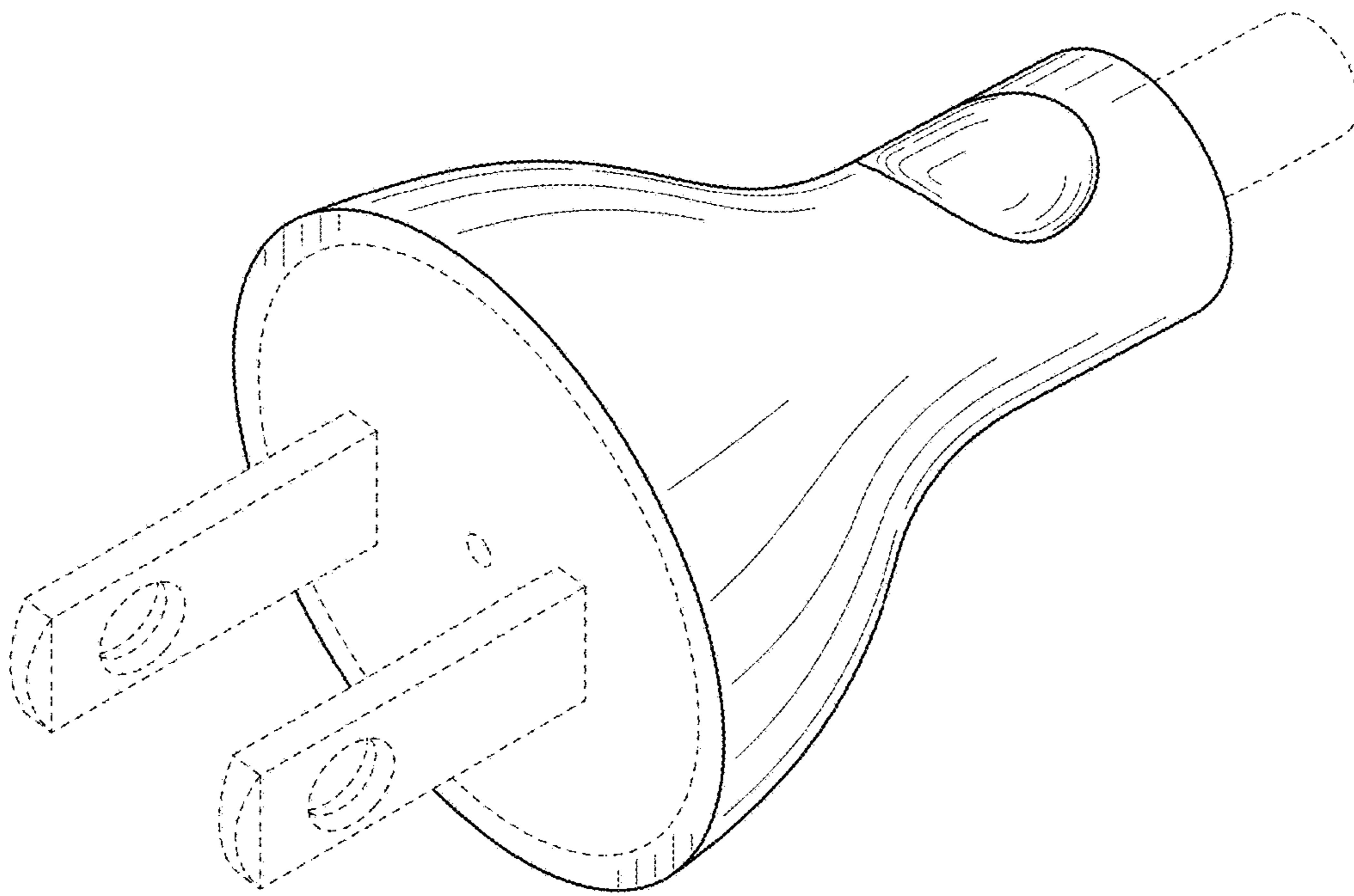


FIG. 15

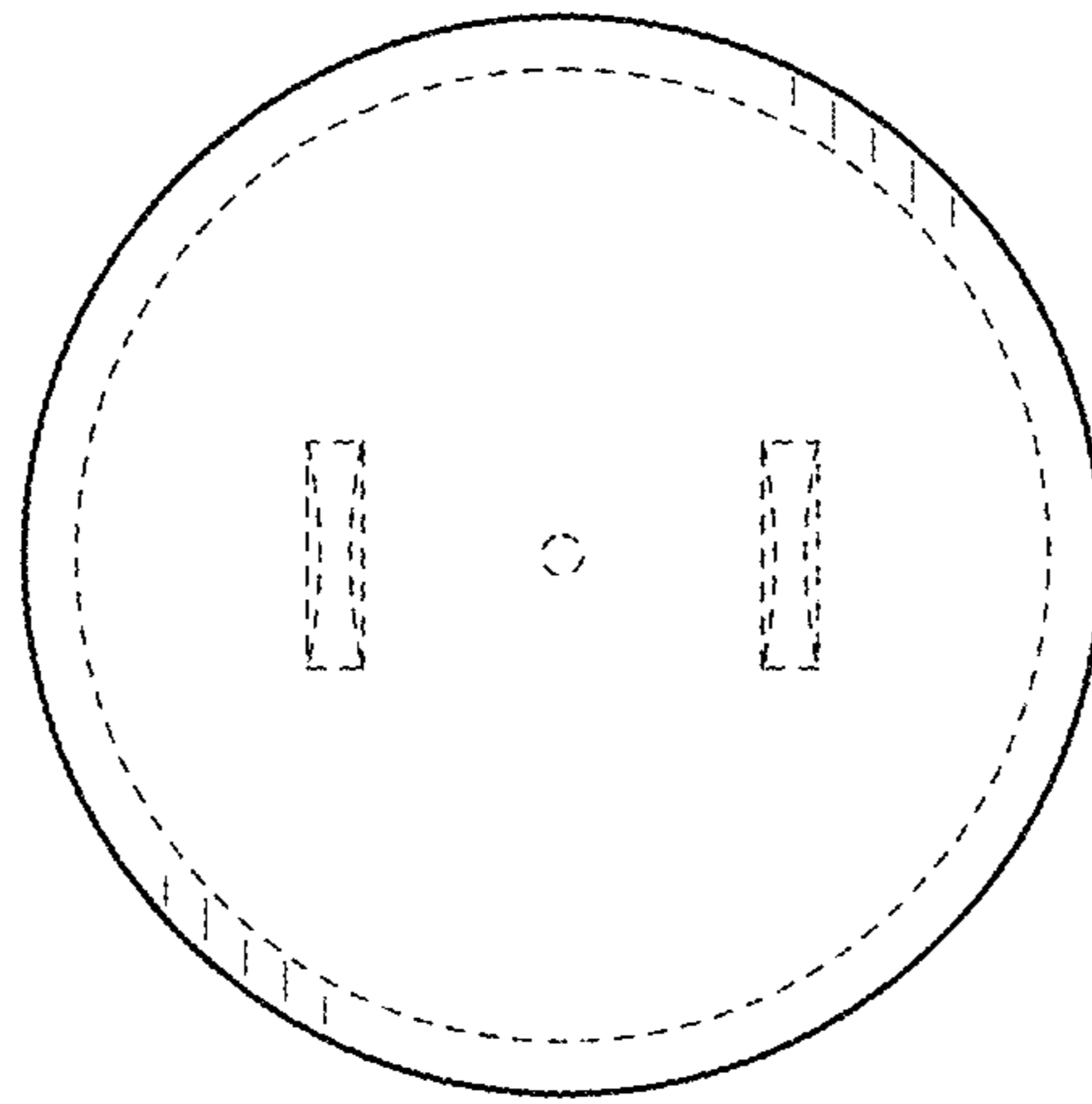


FIG. 16

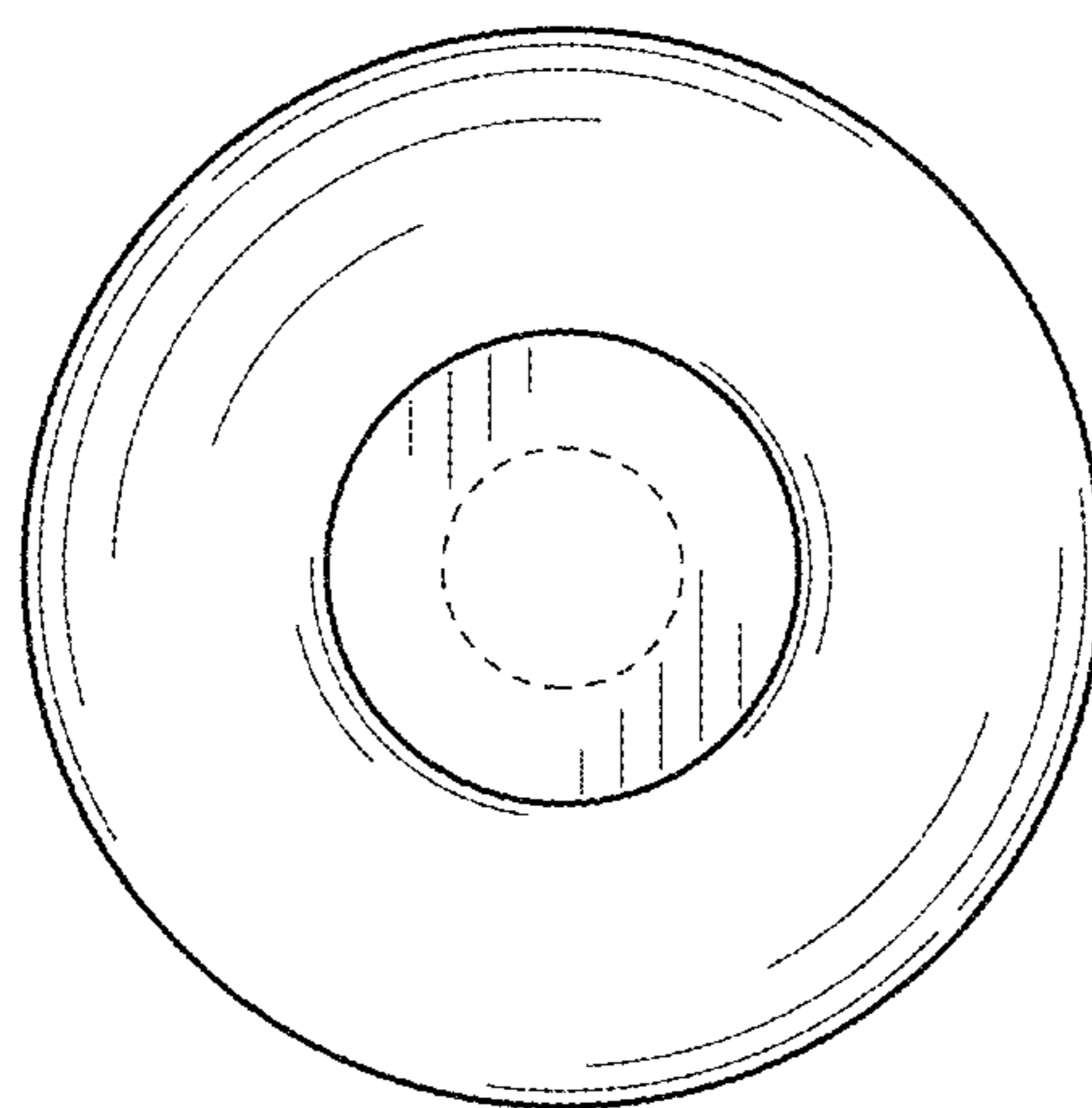


FIG. 17

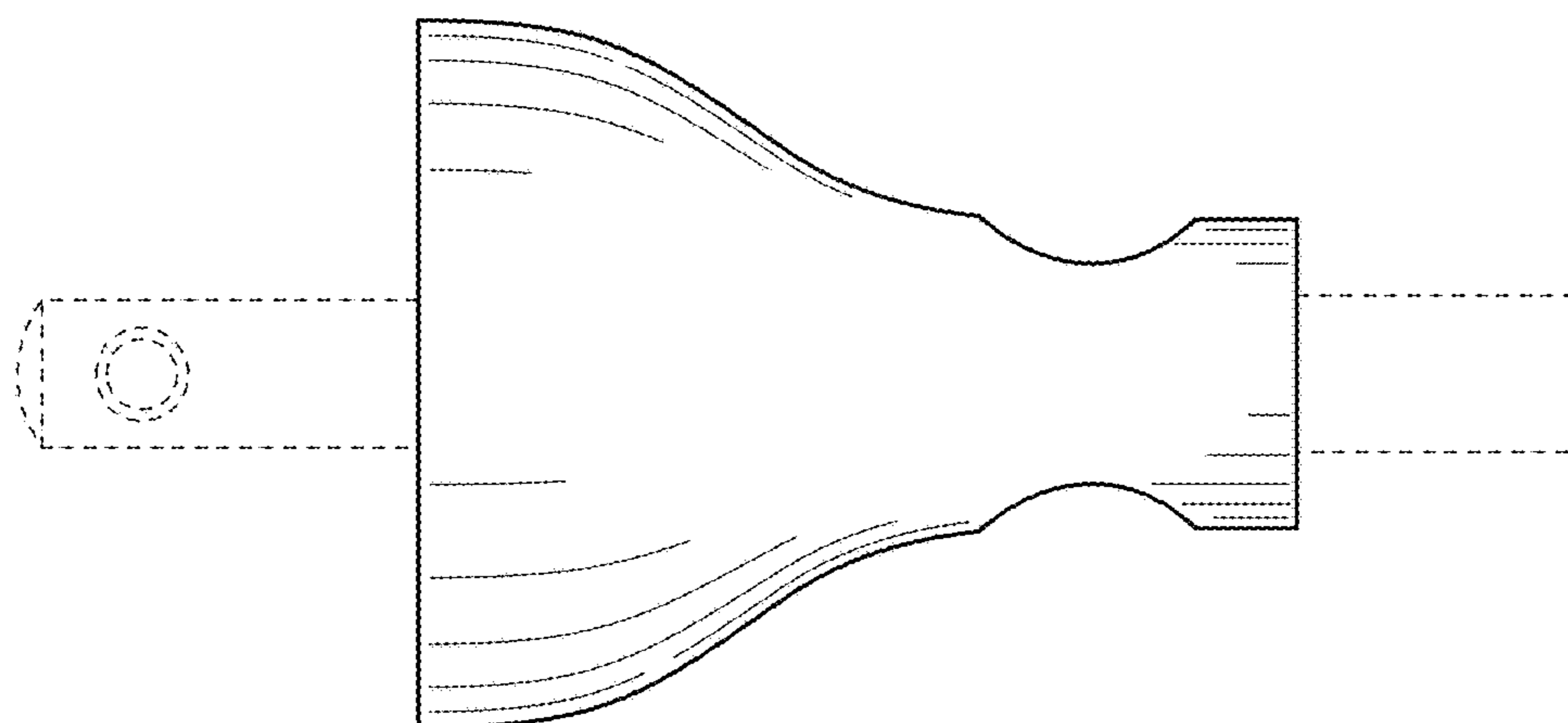


FIG. 18

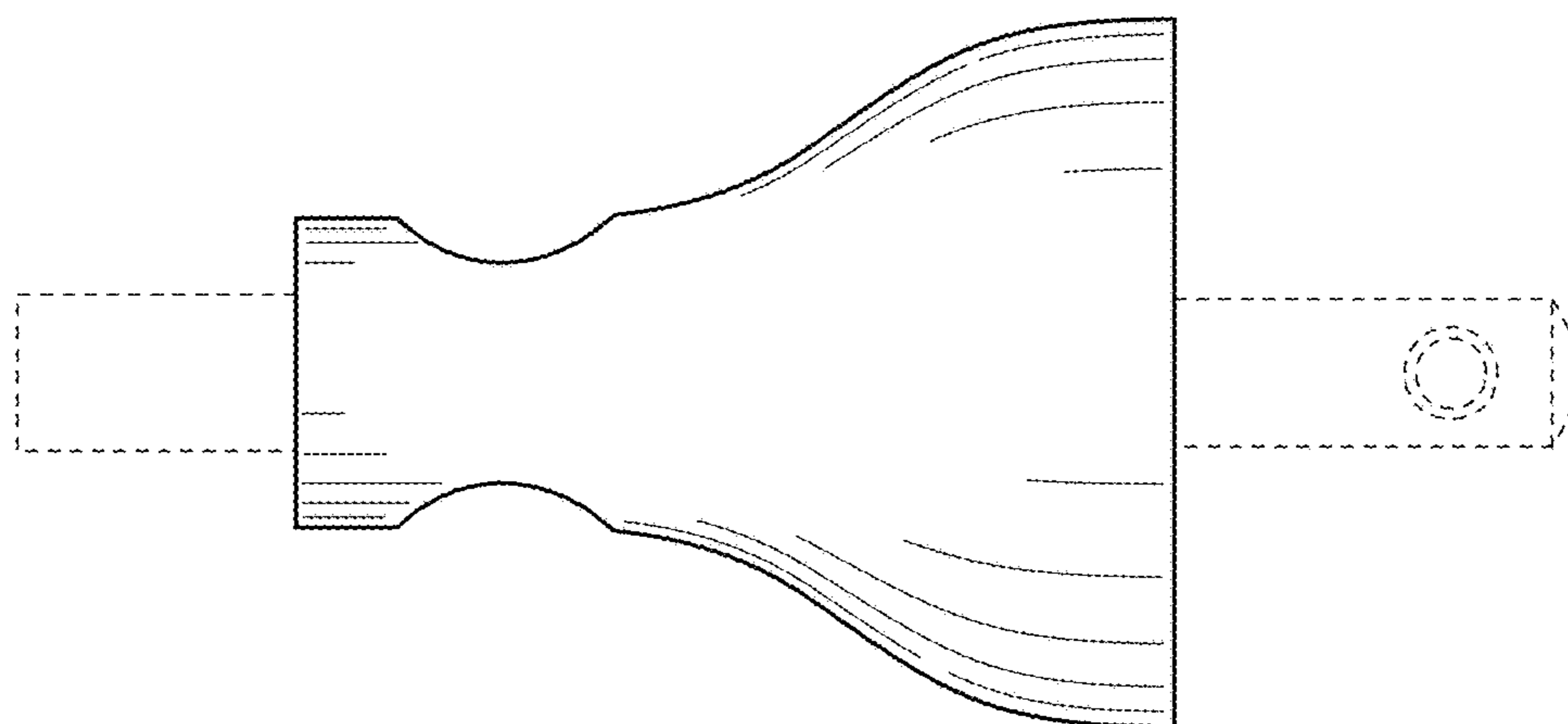


FIG. 19

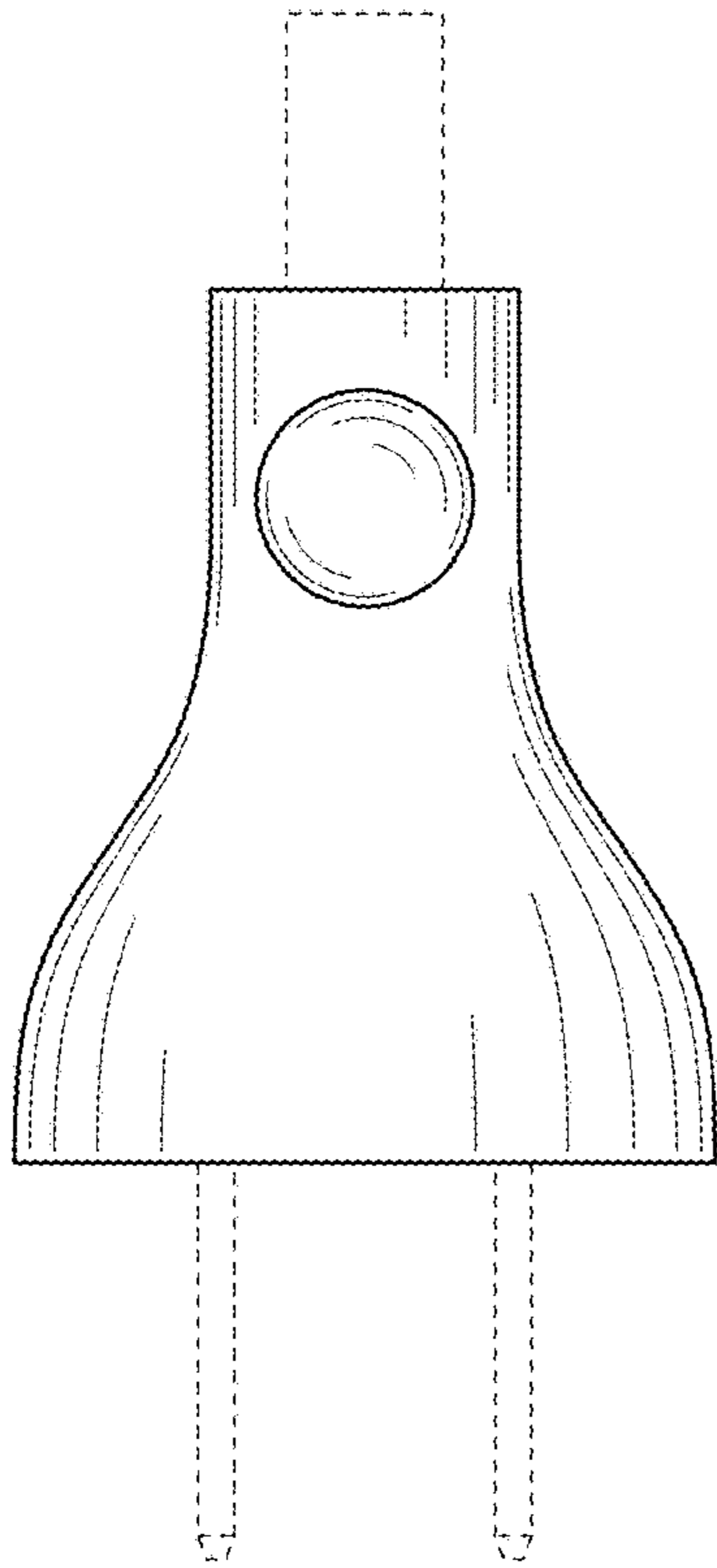


FIG. 20

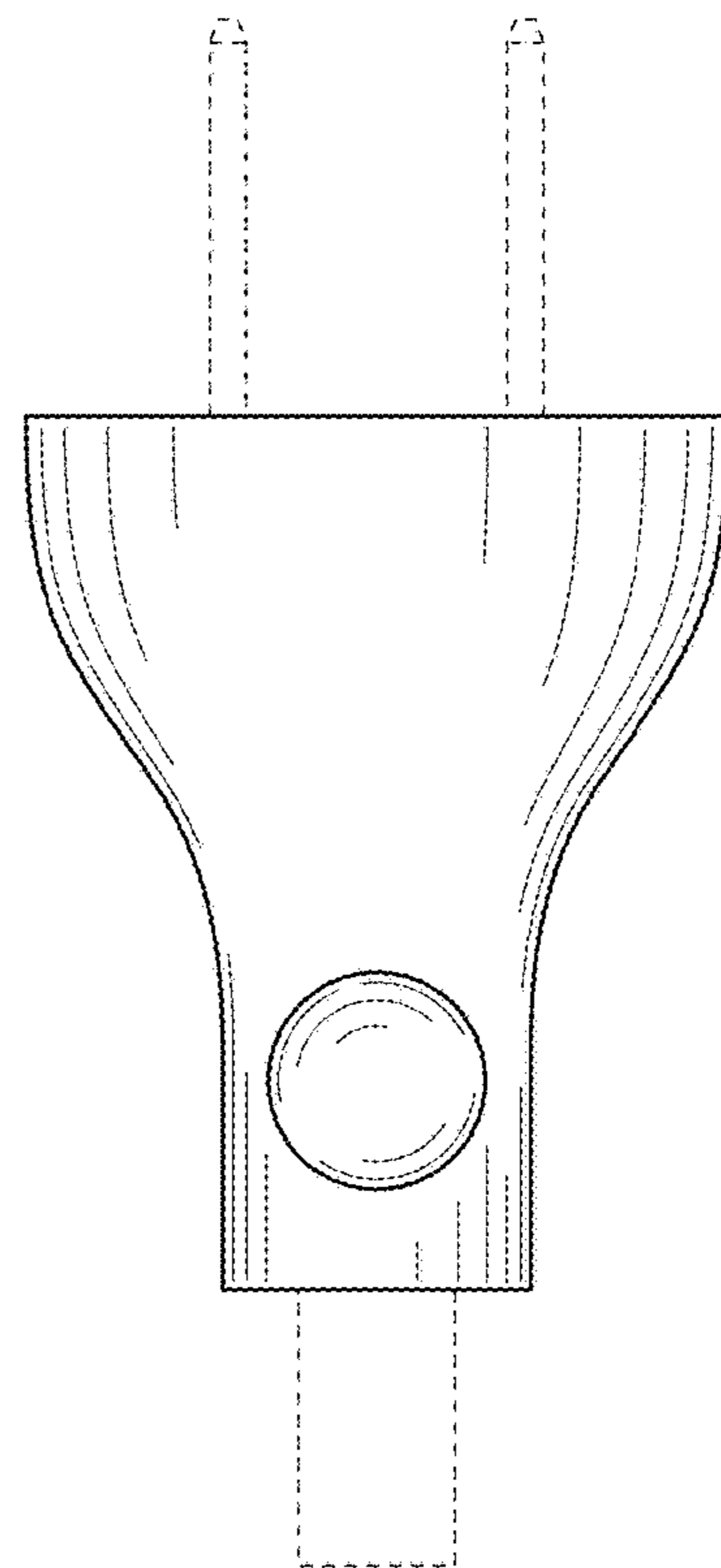


FIG. 21