

US00D867293S

(12) **United States Design Patent**  
**Fukuyama**

(10) **Patent No.:** **US D867,293 S**

(45) **Date of Patent:** **\*\* Nov. 19, 2019**

(54) **TERMINAL METAL FITTING FOR ELECTRICAL CONNECTOR**

(71) Applicant: **SUMITOMO WIRING SYSTEMS, LTD.**, Mie-ken (JP)

(72) Inventor: **Kyoko Fukuyama**, Yokkaichi (JP)

(73) Assignee: **SUMITOMO WIRING SYSTEMS, LTD.**, Yokkaichi-Shi, Mie-Ken (JP)

(\*\*) Term: **15 Years**

(21) Appl. No.: **29/666,834**

(22) Filed: **Oct. 16, 2018**

(30) **Foreign Application Priority Data**

Apr. 20, 2018 (JP) ..... 2018-008776

(51) **LOC (12) Cl.** ..... **13-03**

(52) **U.S. Cl.**  
USPC ..... **D13/133**

(58) **Field of Classification Search**  
USPC ..... D13/118–123, 133, 146, 147, 149,  
D13/151–156, 173, 184, 199  
CPC ... H01R 4/18; H01R 4/48; H01R 9/05; H01R  
9/24; H01R 13/00; H01R 13/03; H01R  
13/04; H01R 13/11; H01R 13/115; H01R  
13/422; H01R 13/428; H01R 13/642;  
H01R 43/16

See application file for complete search history.

(56) **References Cited**

**U.S. PATENT DOCUMENTS**

4,461,531 A \* 7/1984 Davis ..... H01R 43/26  
439/843  
4,596,440 A \* 6/1986 Quam ..... H01R 13/17  
439/827

4,913,678 A \* 4/1990 Avellino ..... H01R 4/029  
439/879

4,973,261 A 11/1990 Hatagishi et al.  
5,112,244 A \* 5/1992 Kuzuno ..... H01R 4/2454  
439/395

(Continued)

**FOREIGN PATENT DOCUMENTS**

JP D1195974 S 2/2004  
JP D1434279 S 2/2012

(Continued)

**OTHER PUBLICATIONS**

Design HMI Terminals, dated Apr. 14, 2017, [online], [site visited Jul. 29, 2019]. Available from Internet, URL: <http://www.designhmi.com/2017/04/14/press-fit-terminals/> (Year: 2017).\*

(Continued)

*Primary Examiner* — Angela J Lee

*Assistant Examiner* — Shawn T Gingrich

(74) *Attorney, Agent, or Firm* — Cantor Colburn LLP

(57) **CLAIM**

The ornamental design for a terminal metal fitting for electrical connector, as shown and described.

**DESCRIPTION**

FIG. 1 is a front, top and right side perspective view of a terminal metal fitting for electrical connector showing my new design;

FIG. 2 is a rear, bottom, and left side perspective view thereof;

FIG. 3 is a front view thereof, the rear view being a mirror image of FIG. 3;

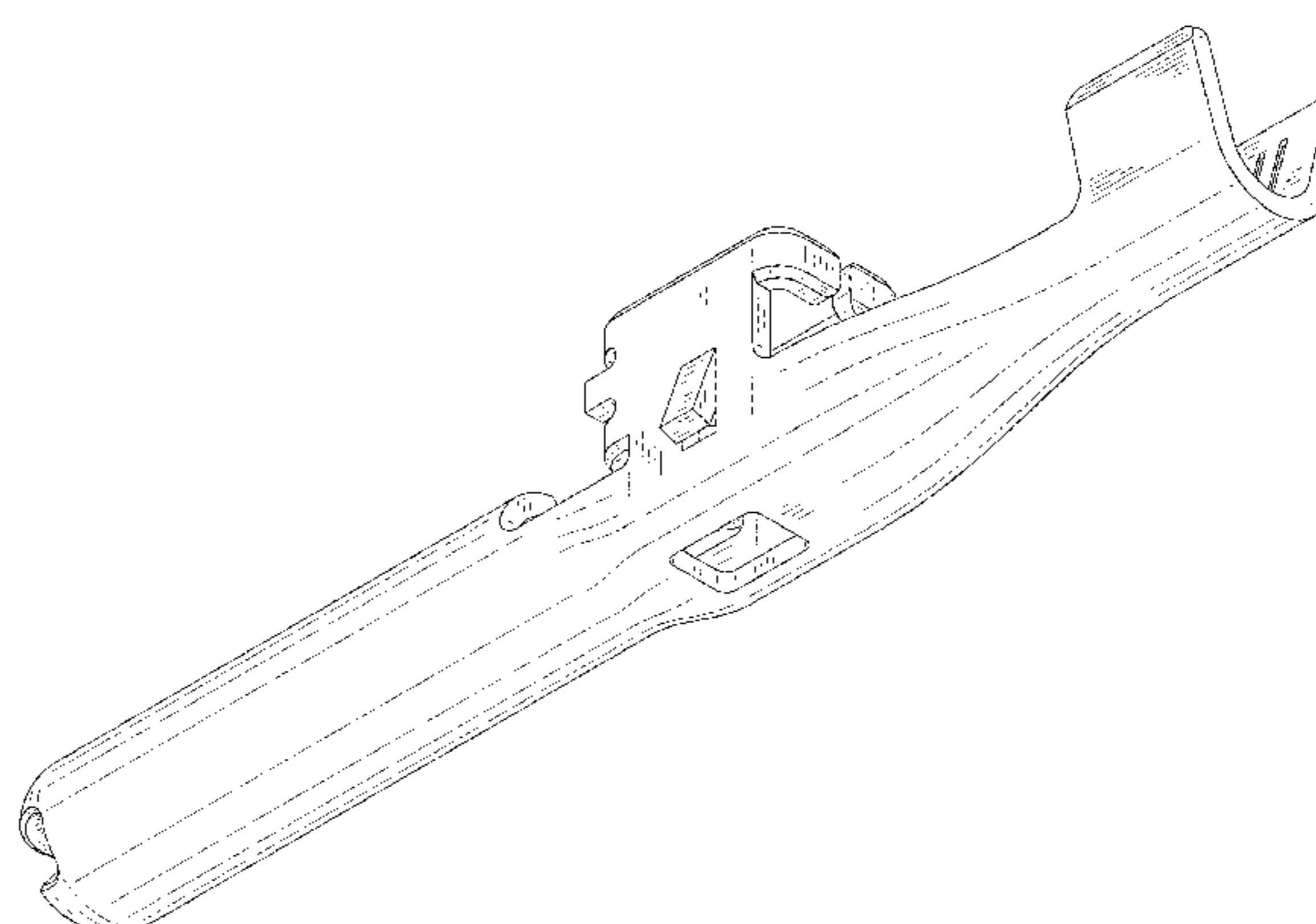
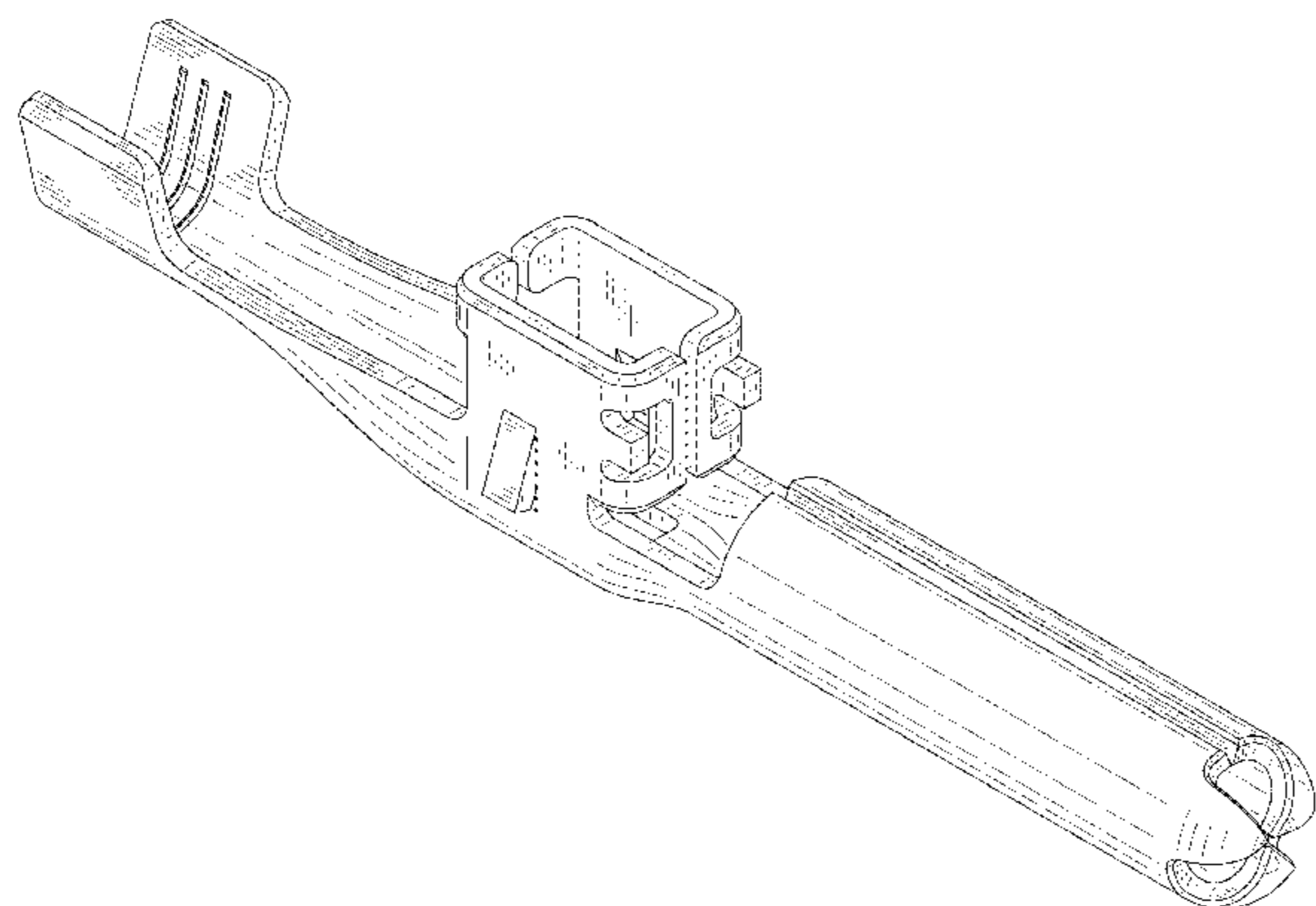
FIG. 4 is a top plan view thereof;

FIG. 5 is a bottom plan view thereof;

FIG. 6 is a right side view thereof; and,

FIG. 7 is a left side view thereof.

**1 Claim, 5 Drawing Sheets**



(56)

References Cited

U.S. PATENT DOCUMENTS

5,135,418 A \* 8/1992 Hatagishi ..... H01R 13/111  
439/851  
5,266,056 A \* 11/1993 Baderschneider ... H01R 13/432  
439/745  
6,165,003 A \* 12/2000 Bigotto ..... H01R 4/242  
439/395  
6,325,652 B1 12/2001 Grant  
D462,326 S 9/2002 Okamoto  
D475,022 S \* 5/2003 Kihira ..... D13/133  
D503,385 S \* 3/2005 Hosokawa ..... D13/147  
D568,245 S \* 5/2008 Kudo ..... D13/133  
D592,150 S \* 5/2009 Ogata ..... D13/154  
7,927,127 B1 \* 4/2011 Glick ..... H01R 4/245  
439/397  
D770,978 S \* 11/2016 Reese ..... D13/133  
D781,239 S \* 3/2017 Ikeda ..... D13/154  
2008/0146090 A1 \* 6/2008 Shimizu ..... H01R 13/4223  
439/842  
2009/0036002 A1 \* 2/2009 Arai ..... H01R 13/432  
439/825  
2009/0047815 A1 \* 2/2009 Nicholson ..... H01R 13/5202  
439/281  
2013/0052883 A1 \* 2/2013 Iihoshi ..... H01R 13/434  
439/748

2013/0065459 A1\* 3/2013 Hirabayashi ..... H01R 13/04  
439/852  
2014/0087607 A1\* 3/2014 Kojima ..... H01R 13/04  
439/891  
2015/0380863 A1\* 12/2015 Uchida ..... H01R 4/185  
439/587  
2016/0020528 A1\* 1/2016 Miyakawa ..... H01R 13/111  
439/870  
2017/0033486 A1\* 2/2017 Saka ..... H01R 13/03  
2017/0170593 A1\* 6/2017 Uezono ..... H01R 13/4223  
2017/0324180 A1\* 11/2017 Natsume ..... H01R 13/03  
2019/0173224 A1 6/2019 Inoue  
2019/0199008 A1\* 6/2019 Kanemura ..... H01R 4/185

FOREIGN PATENT DOCUMENTS

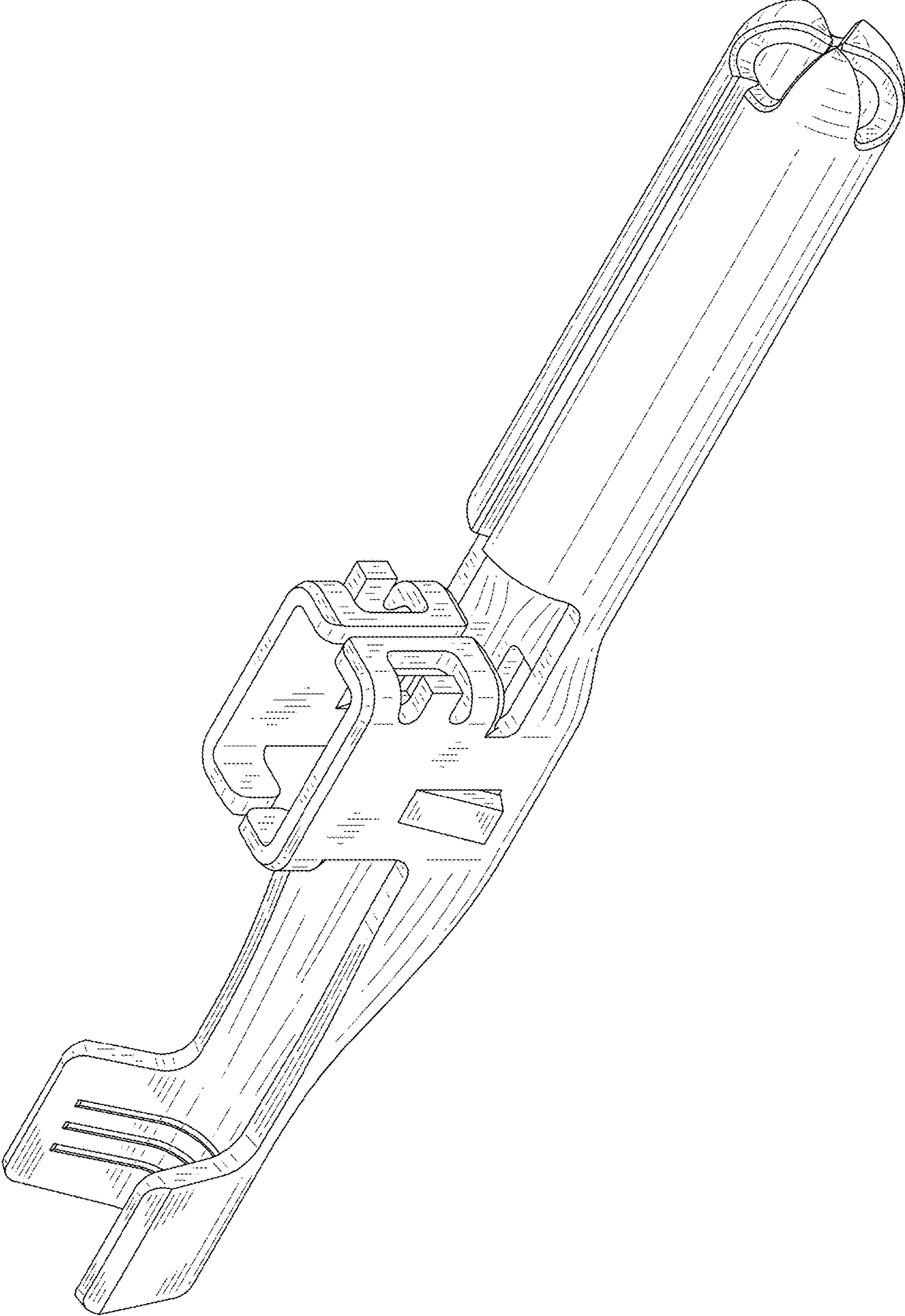
JP D1434411 S 2/2012  
JP D1434413 S 2/2012  
JP D1504116 S 8/2014

OTHER PUBLICATIONS

Notice of Allowance and Fee(s) Due issued in U.S. Appl. No. 29/666,836 dated Aug. 8, 2019; 11 pages.

\* cited by examiner

FIG.1



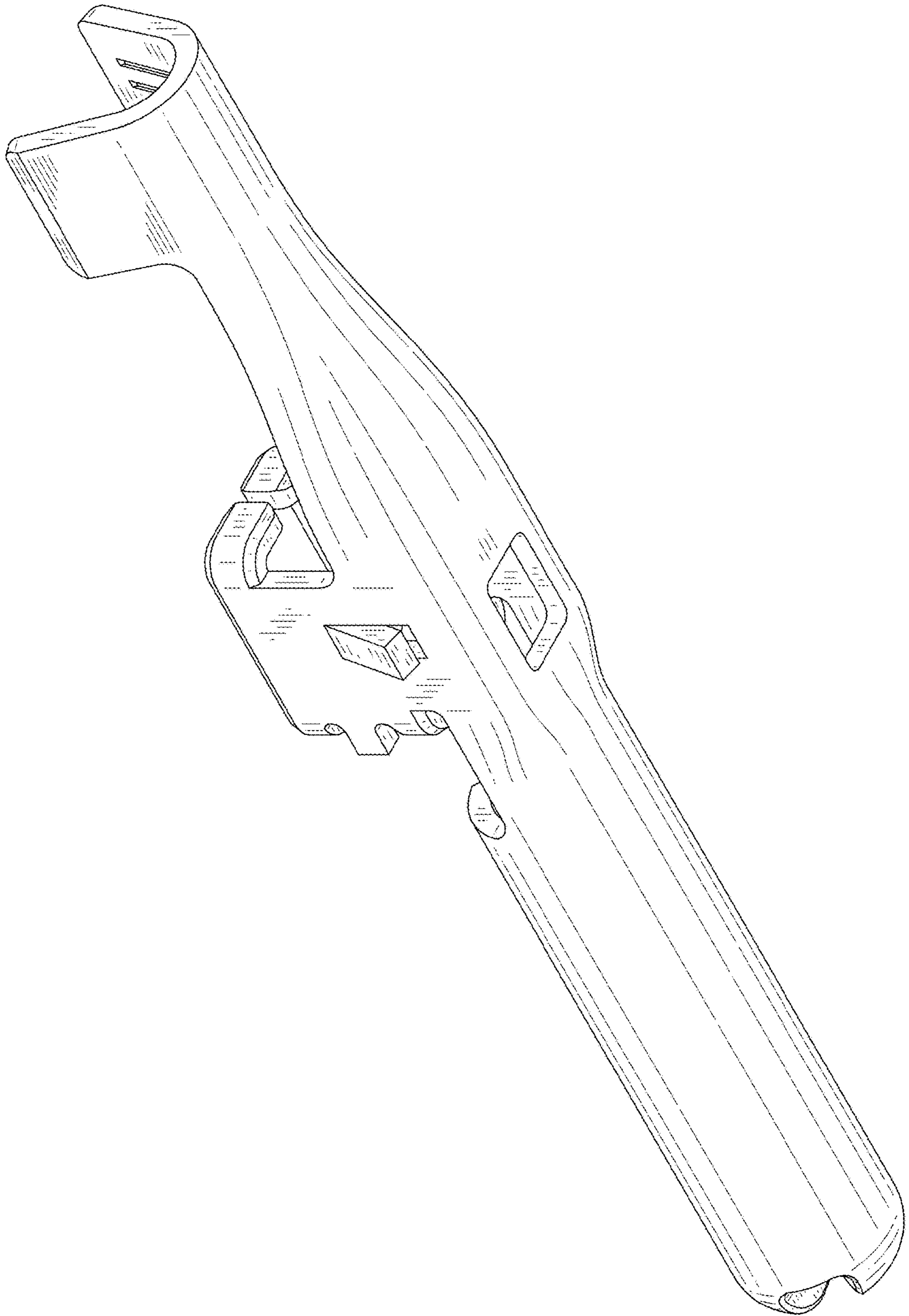


Fig.2

Fig. 3

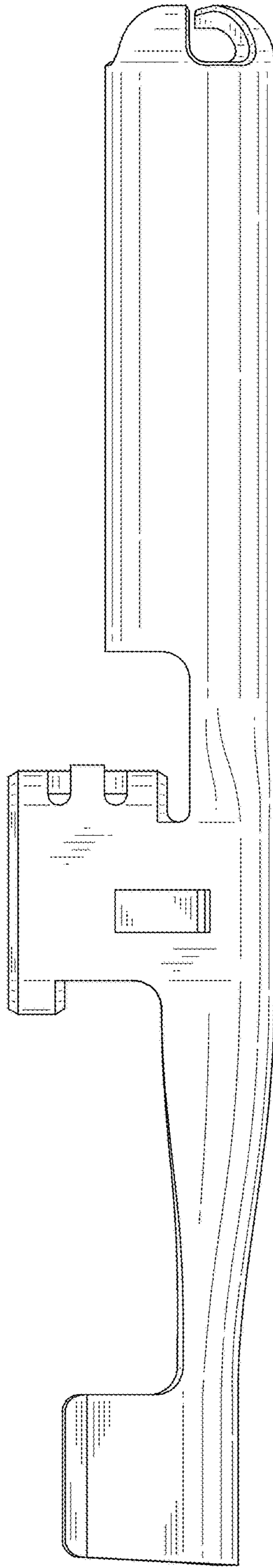


Fig.4

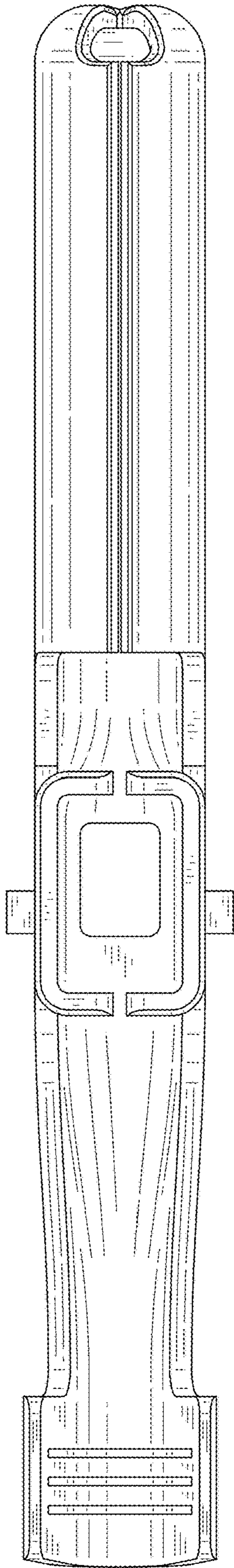


Fig.5

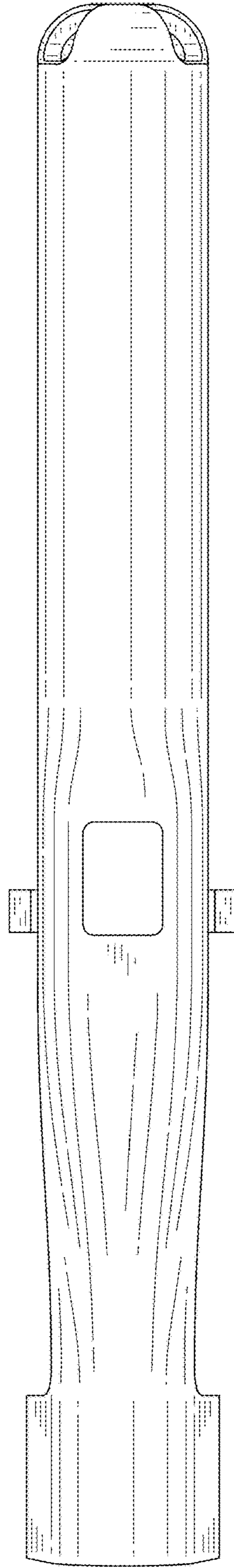


Fig.7

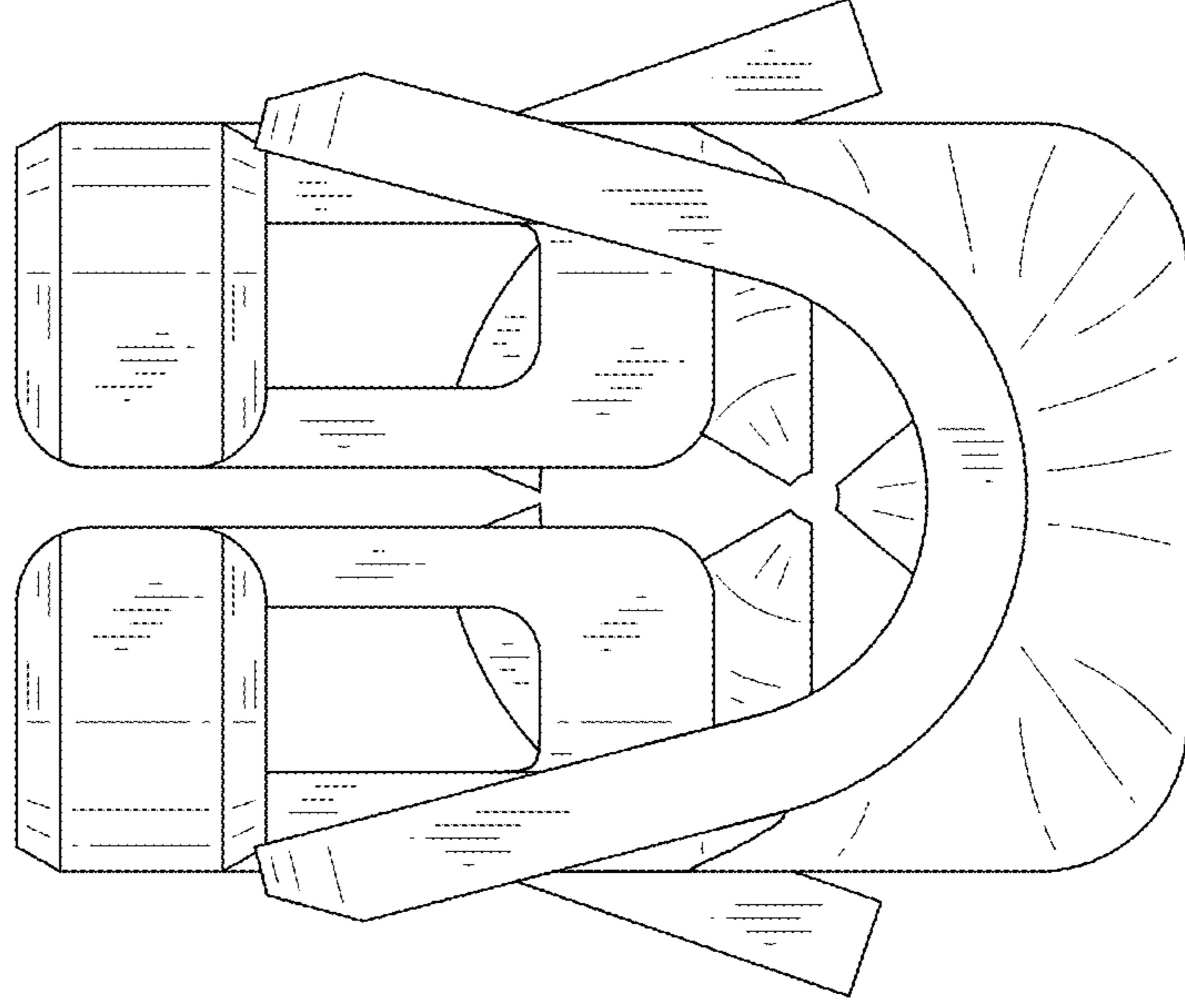


Fig.6

