

US00D867291S

(12) **United States Design Patent**
Dolgonosov et al.

(10) **Patent No.:** **US D867,291 S**

(45) **Date of Patent:** **** Nov. 19, 2019**

(54) **TEMPERATURE SENSOR CONNECTOR**

(71) Applicant: **Brava Home, Inc.**, Redwood City, CA (US)

(72) Inventors: **Zinovy Dolgonosov**, San Francisco, CA (US); **Nicolas DiBenedetto**, San Francisco, CA (US); **Jacob Dimiceli**, Orinda, CA (US)

(73) Assignee: **Brava Home, Inc.**, Redwood City, CA (US)

(**) Term: **15 Years**

(21) Appl. No.: **29/655,981**

(22) Filed: **Jul. 9, 2018**

(51) **LOC (12) Cl.** **13-03**

(52) **U.S. Cl.**
USPC **D13/133**

(58) **Field of Classification Search**
USPC D13/133, 145, 153, 154, 155
CPC G01K 7/023; G01K 7/12; G01K 7/02;
G01K 7/025; Y10S 439/913
See application file for complete search history.

(56) **References Cited**

U.S. PATENT DOCUMENTS

- 4,475,024 A 10/1984 Tateda
- 6,590,777 B2* 7/2003 Morino H01H 35/24
361/736
- 7,075,442 B2 7/2006 Lion et al.
- 7,803,022 B2* 9/2010 MacKinnon G01K 7/023
439/695

- D788,707 S * 6/2017 Griepenstroh D13/133
- D789,296 S * 6/2017 Griepenstroh D13/133
- 2008/0259995 A1 10/2008 Kuhn

* cited by examiner

Primary Examiner — Antoine Duval Davis

(74) *Attorney, Agent, or Firm* — Haynes and Boone, LLP

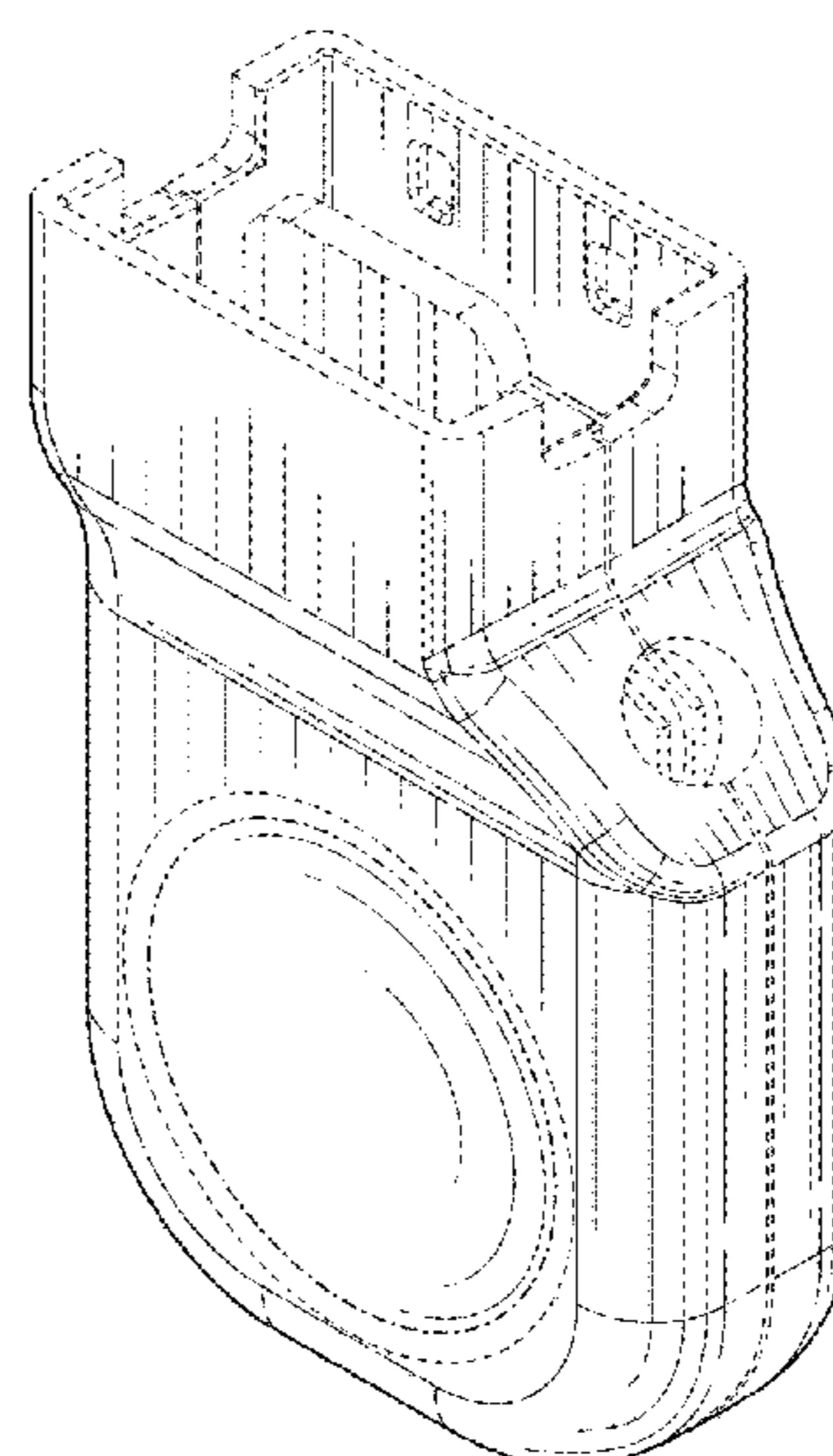
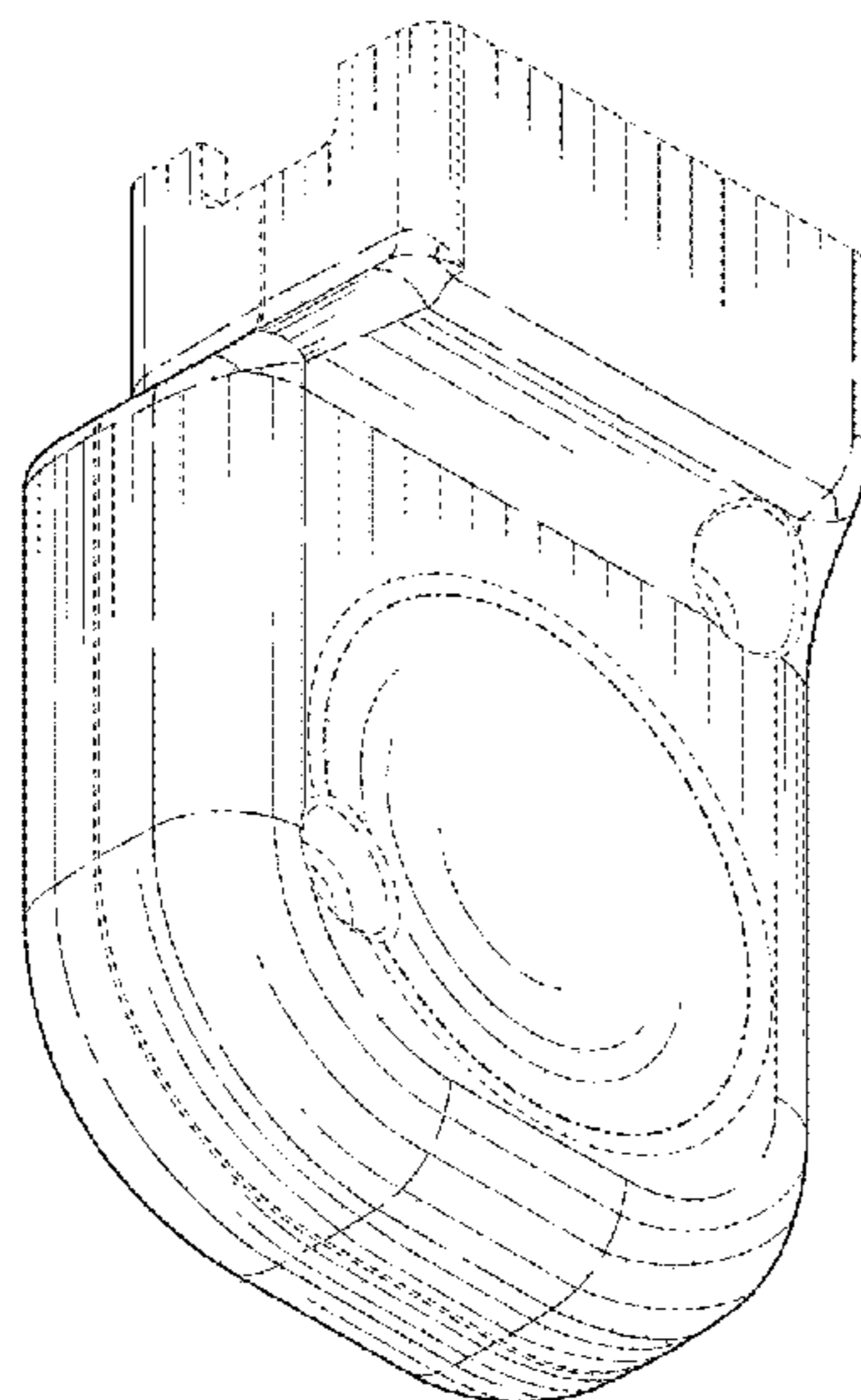
(57) **CLAIM**

The ornamental design for a temperature sensor connector, as shown and described.

DESCRIPTION

FIG. 1 is a bottom, right, and rear perspective view of a temperature sensor connector showing the new design; FIG. 2 is a front, right, and top perspective view thereof; FIG. 3 is a top plan view thereof; FIG. 4 is a bottom plan view thereof; FIG. 5 is a left side view thereof; FIG. 6 is a right side view thereof; FIG. 7 is a front elevational view thereof; FIG. 8 is a rear elevational view thereof; FIG. 9 is a front, left, and top perspective view thereof of the temperature sensor connector shown as an example implementation coupled via a cable to a temperature sensor; and, FIG. 10 is a top plan view thereof of the temperature sensor connector thereof shown as an example implementation coupled via the cable to the temperature sensor. The broken lines in the figures are shown for the purpose of illustrating portions of the temperature sensor connector and/or environmental matter that form no part of the claimed design.

1 Claim, 7 Drawing Sheets



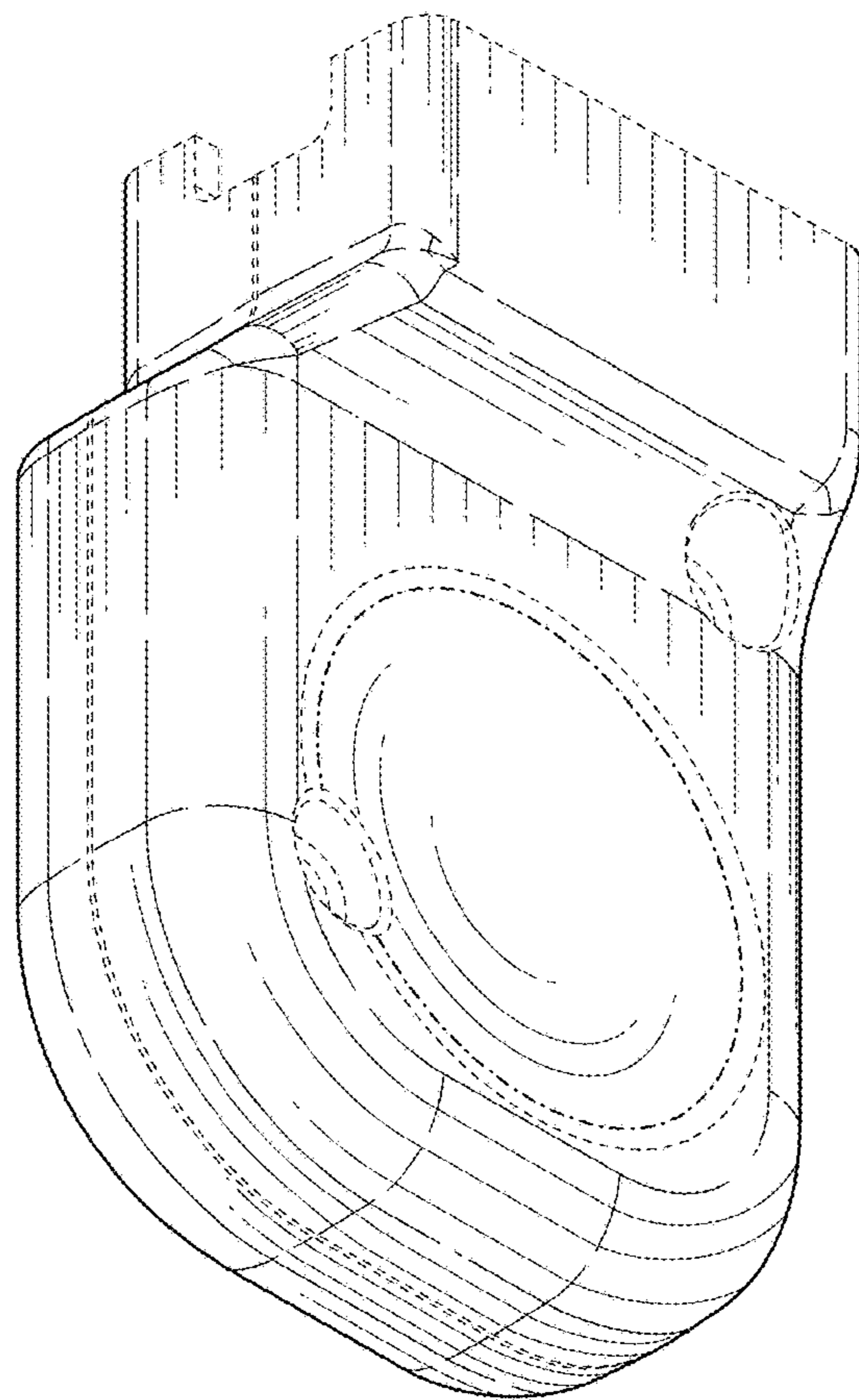


FIG. 1

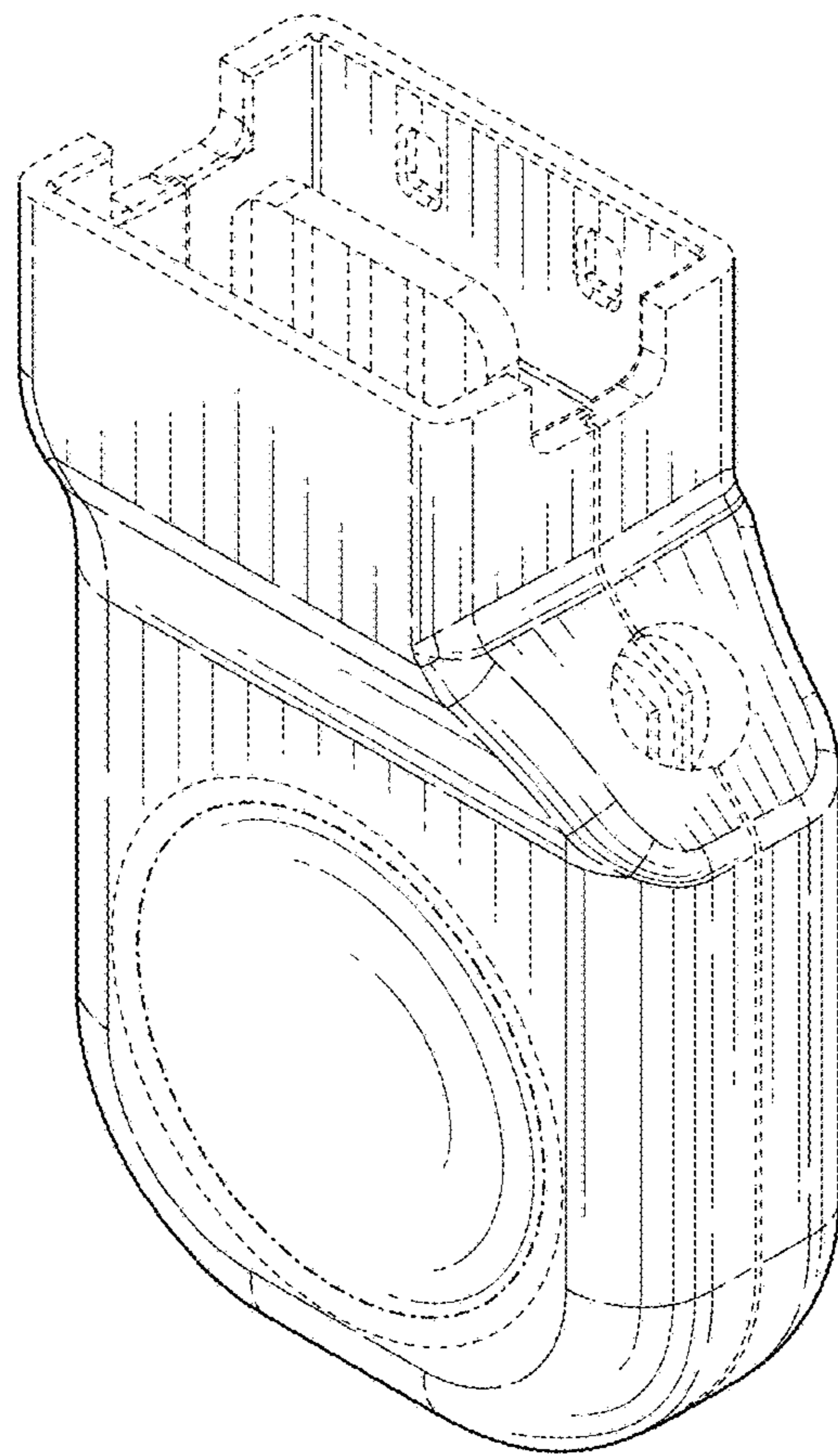


FIG. 2

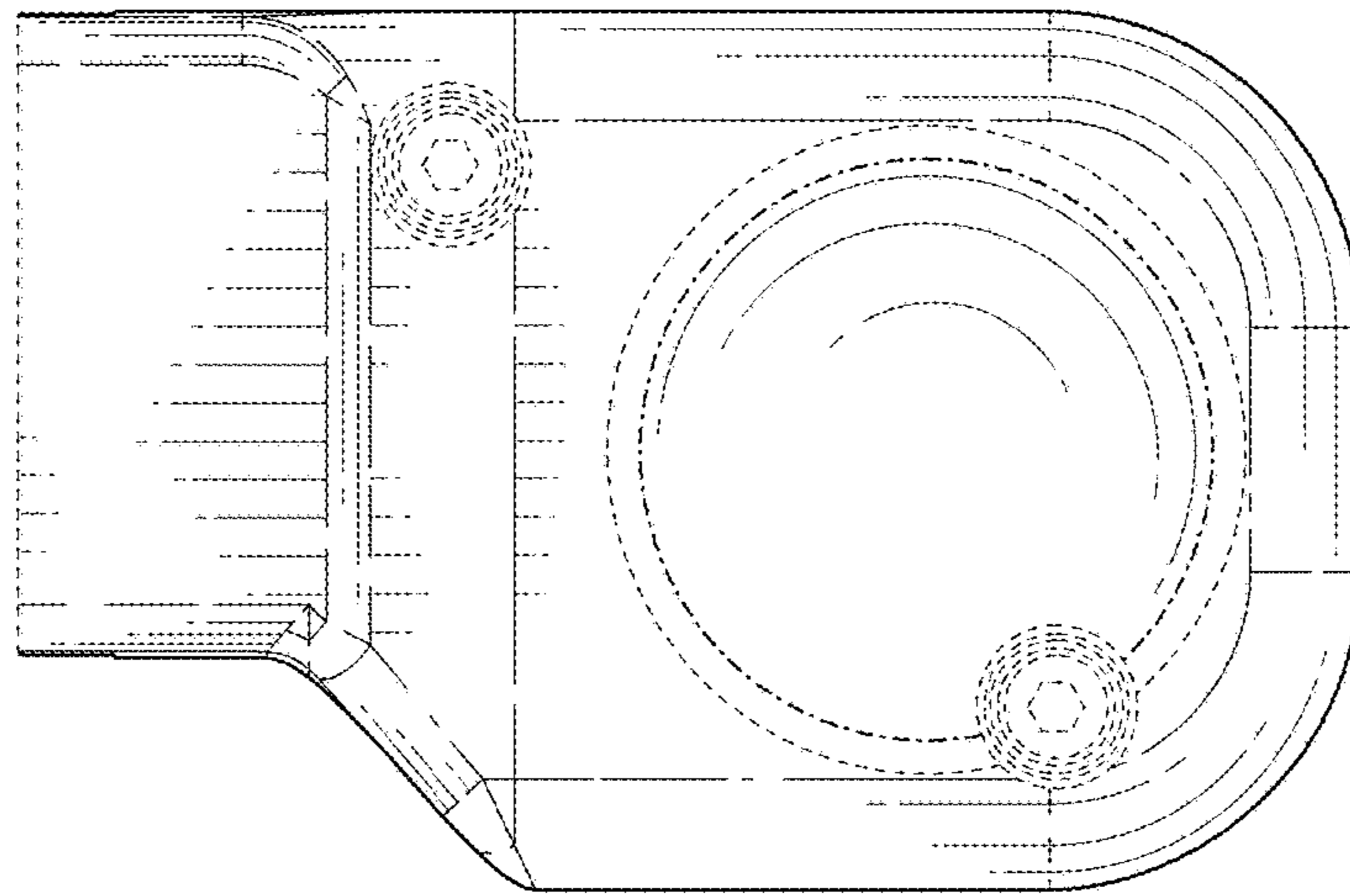


FIG. 4

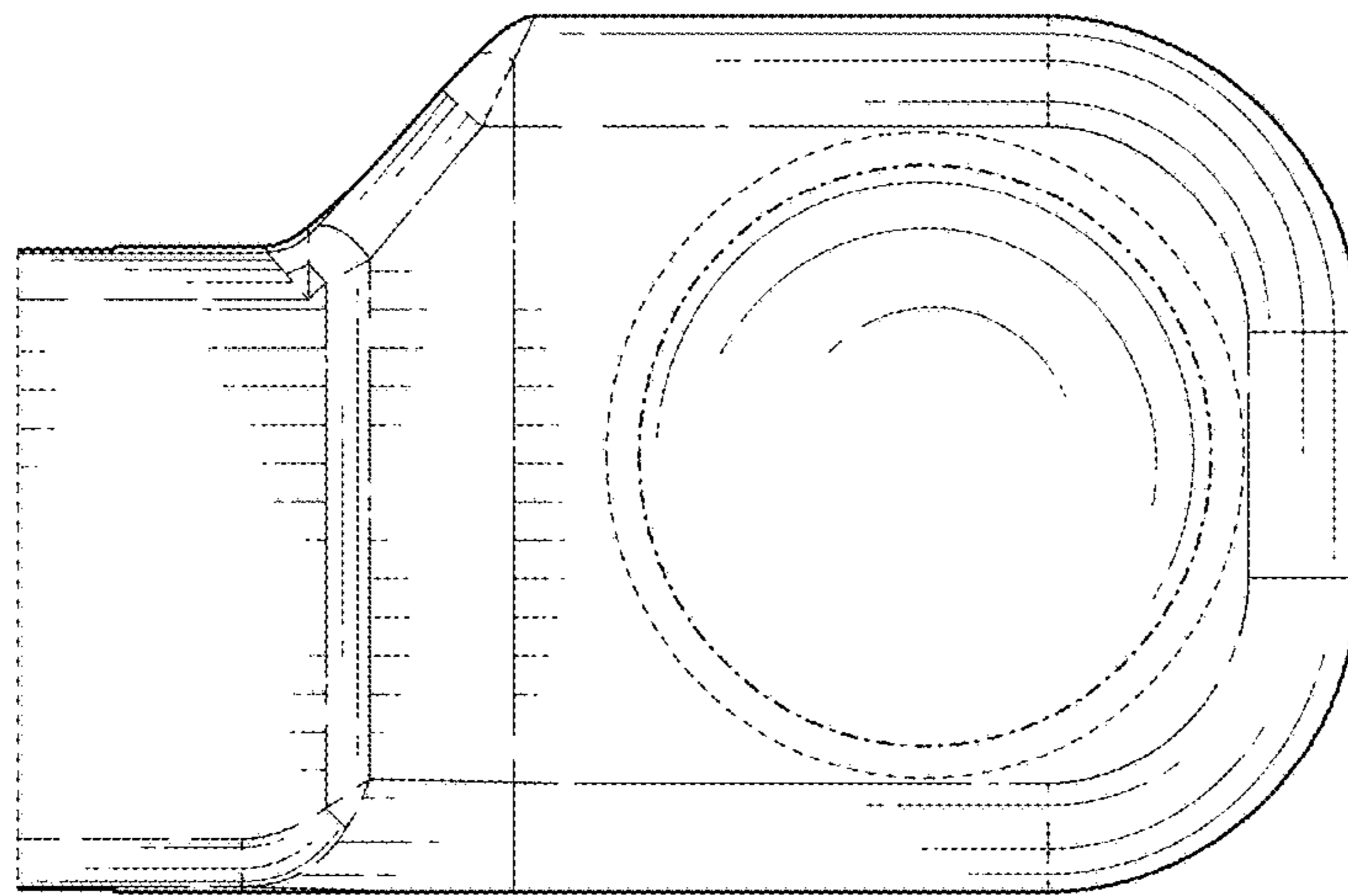


FIG. 3

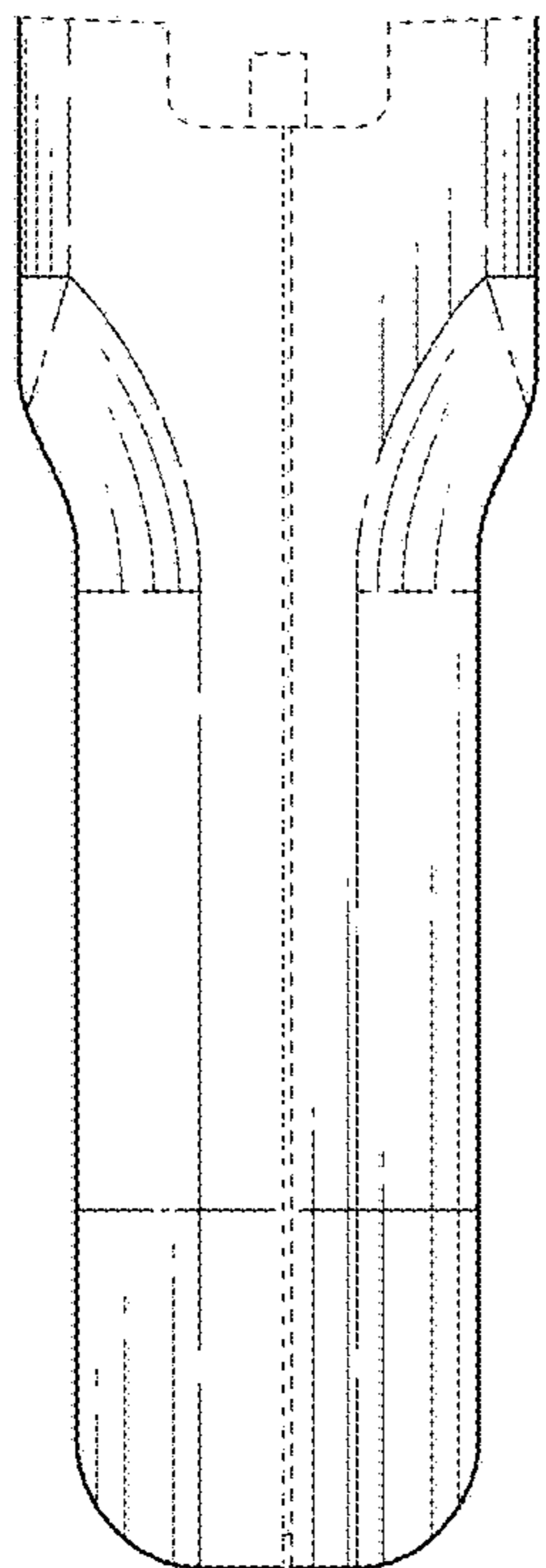


FIG. 5

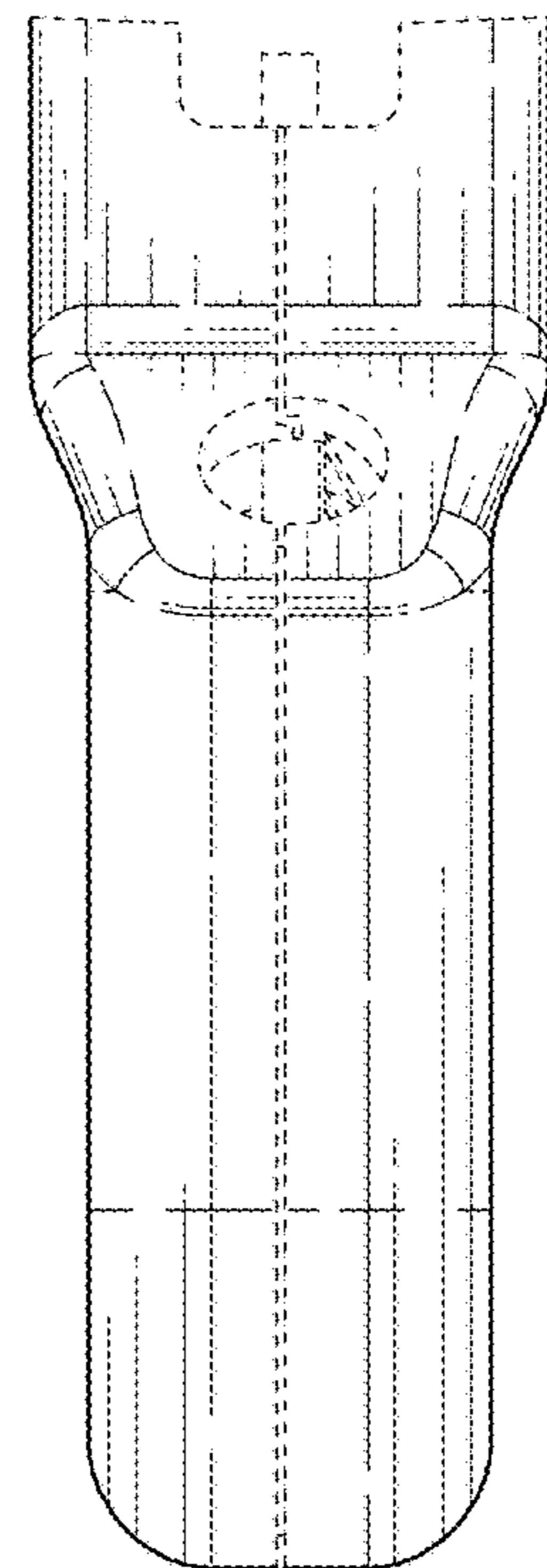


FIG. 6

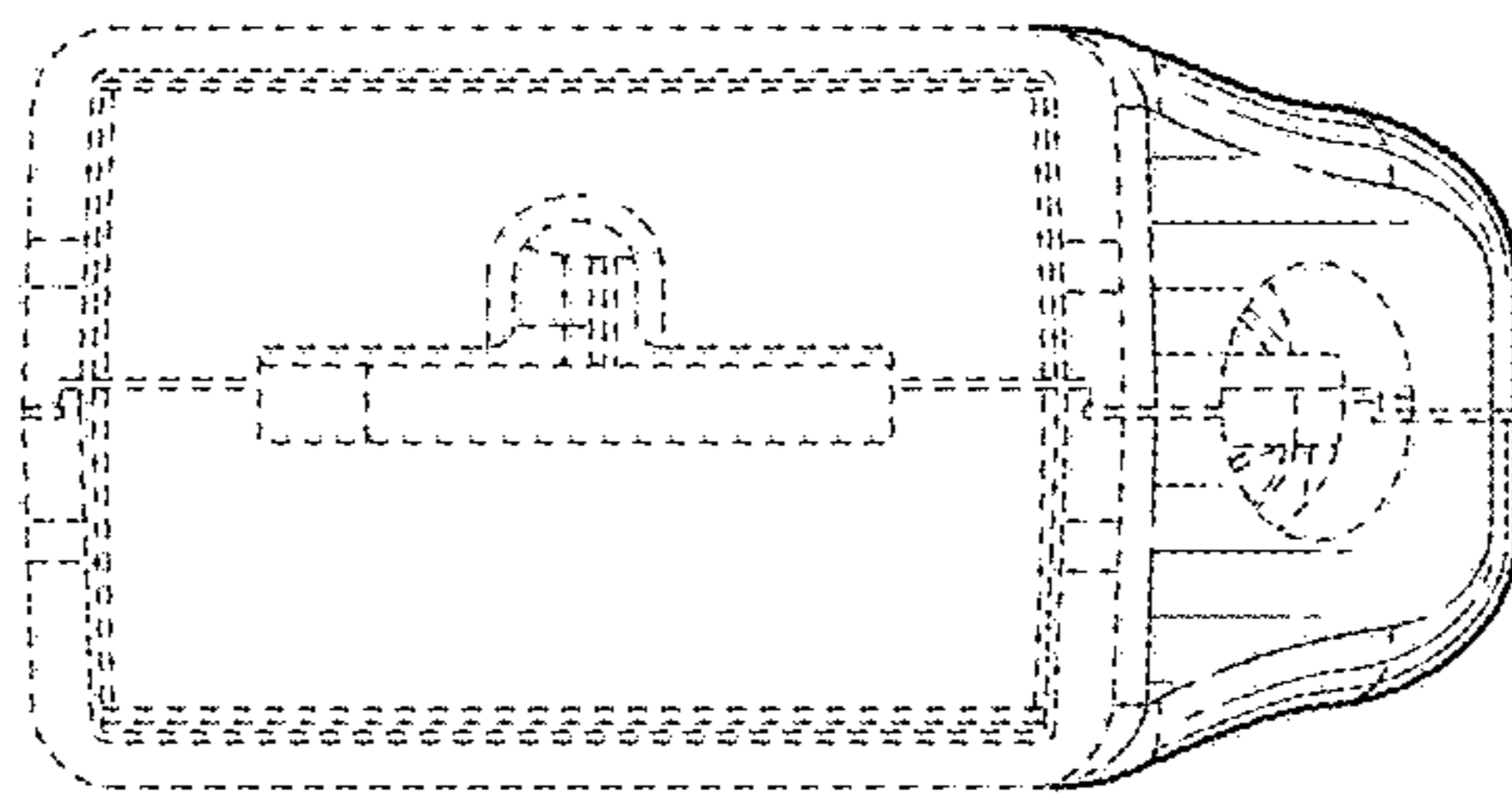


FIG. 7

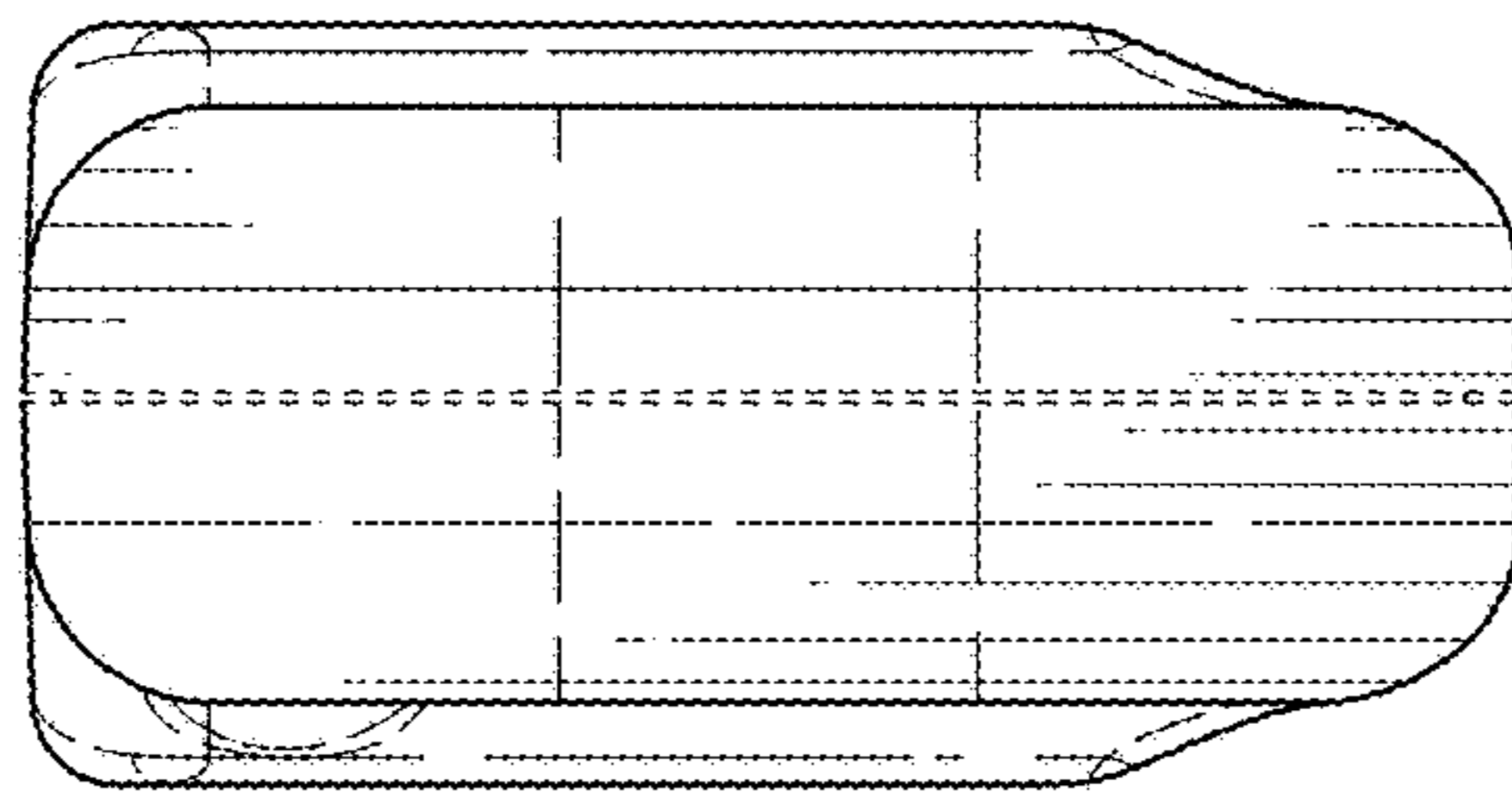


FIG. 8

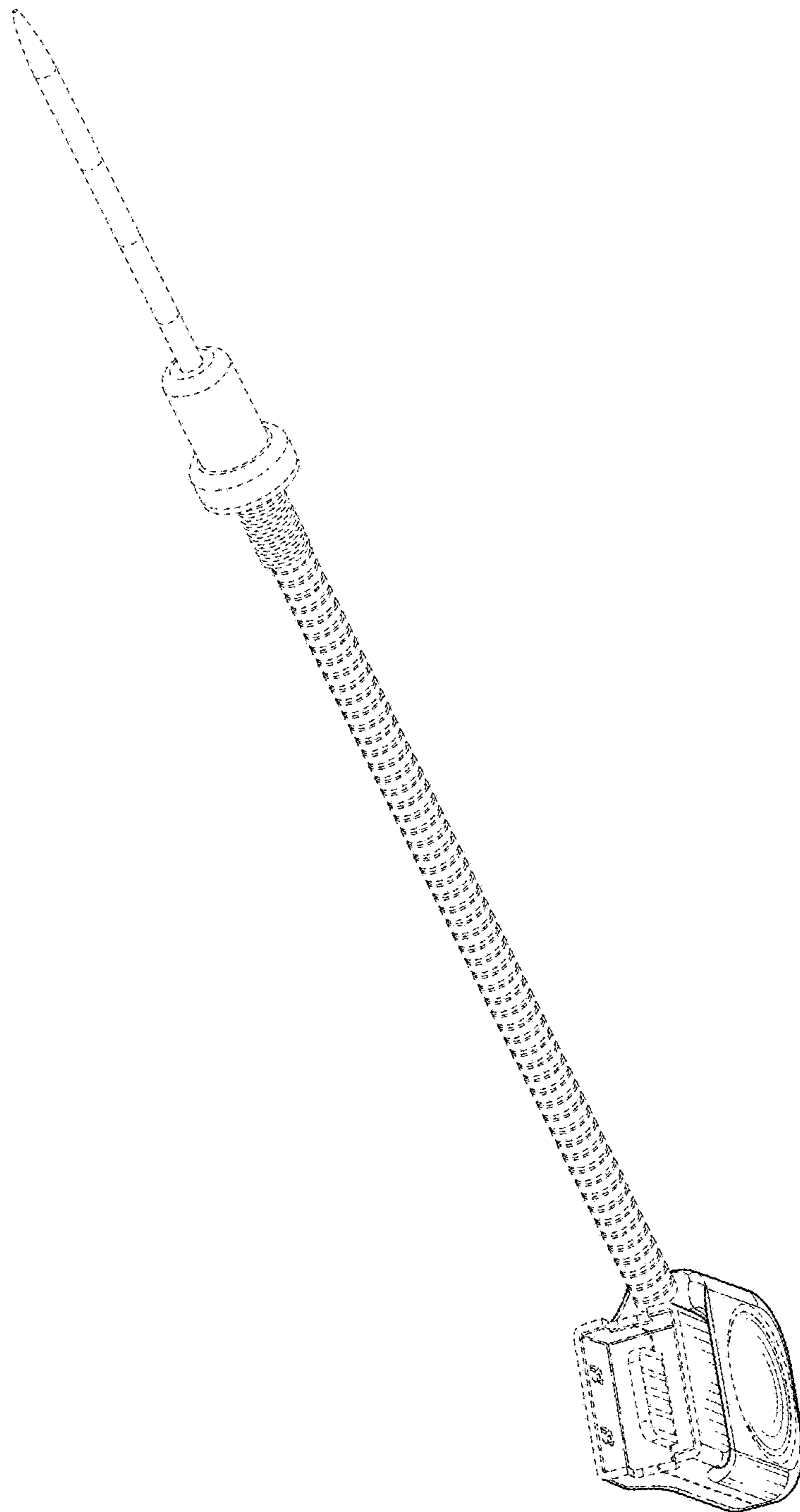


FIG. 9

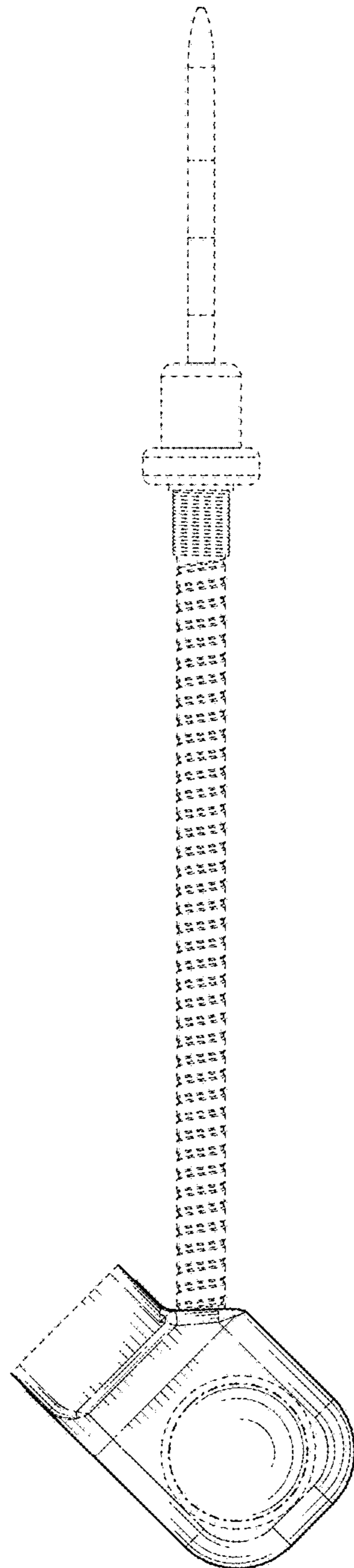


FIG. 10