



US00D867289S

(12) **United States Design Patent**  
**Jiang**

(10) **Patent No.:** **US D867,289 S**

(45) **Date of Patent:** **\*\* Nov. 19, 2019**

(54) **BATTERY CASE**

(71) Applicant: **Gaoyun Jiang**, Goleta, CA (US)

(72) Inventor: **Gaoyun Jiang**, Goleta, CA (US)

(\*\*) Term: **15 Years**

(21) Appl. No.: **29/638,219**

(22) Filed: **Feb. 26, 2018**

D777,104 S *	1/2017	Liu	.....	D13/119
D821,969 S *	7/2018	Jiang	.....	D13/103
D843,935 S *	3/2019	Luo	.....	D13/103
2016/0233909 A1 *	8/2016	West	.....	H04B 1/385

\* cited by examiner

*Primary Examiner* — Brett Miller

(57) **CLAIM**

The ornamental design for a battery case, as shown and described.

**DESCRIPTION**

FIG. 1 is a top perspective view of a battery case showing my new design;

FIG. 2 is a bottom perspective view thereof;

FIG. 3 is a front view thereof;

FIG. 4 is a back view thereof;

FIG. 5 is a top view thereof;

FIG. 6 is a bottom view thereof;

FIG. 7 is a left view thereof;

FIG. 8 is a right view thereof;

FIG. 9 is a top exploded perspective view thereof;

FIG. 10 is a top perspective view, showing the battery case in an alternate, assembled configuration; and,

FIG. 11 is a bottom perspective view, showing the battery case in an alternate, assembled configuration.

The broken lines showing of connectors and handles in FIGS. 1-5, and FIGS. 7-11, and the broken lines showing of a second battery case in FIGS. 10-11 are included for the purpose of illustrating environmental structure and forms no part of the claimed design.

**Related U.S. Application Data**

(63) Continuation-in-part of application No. 29/605,432, filed on May 25, 2017, now Pat. No. Des. 821,969.

(51) **LOC (12) Cl.** ..... **13-02**

(52) **U.S. Cl.**  
USPC ..... **D13/119**; D14/447

(58) **Field of Classification Search**  
USPC ..... D14/447, 253, 434, 224, 217, 240, 149,  
D14/358, 356, 348; D13/110, 119, 103,  
D13/107, 108, 118

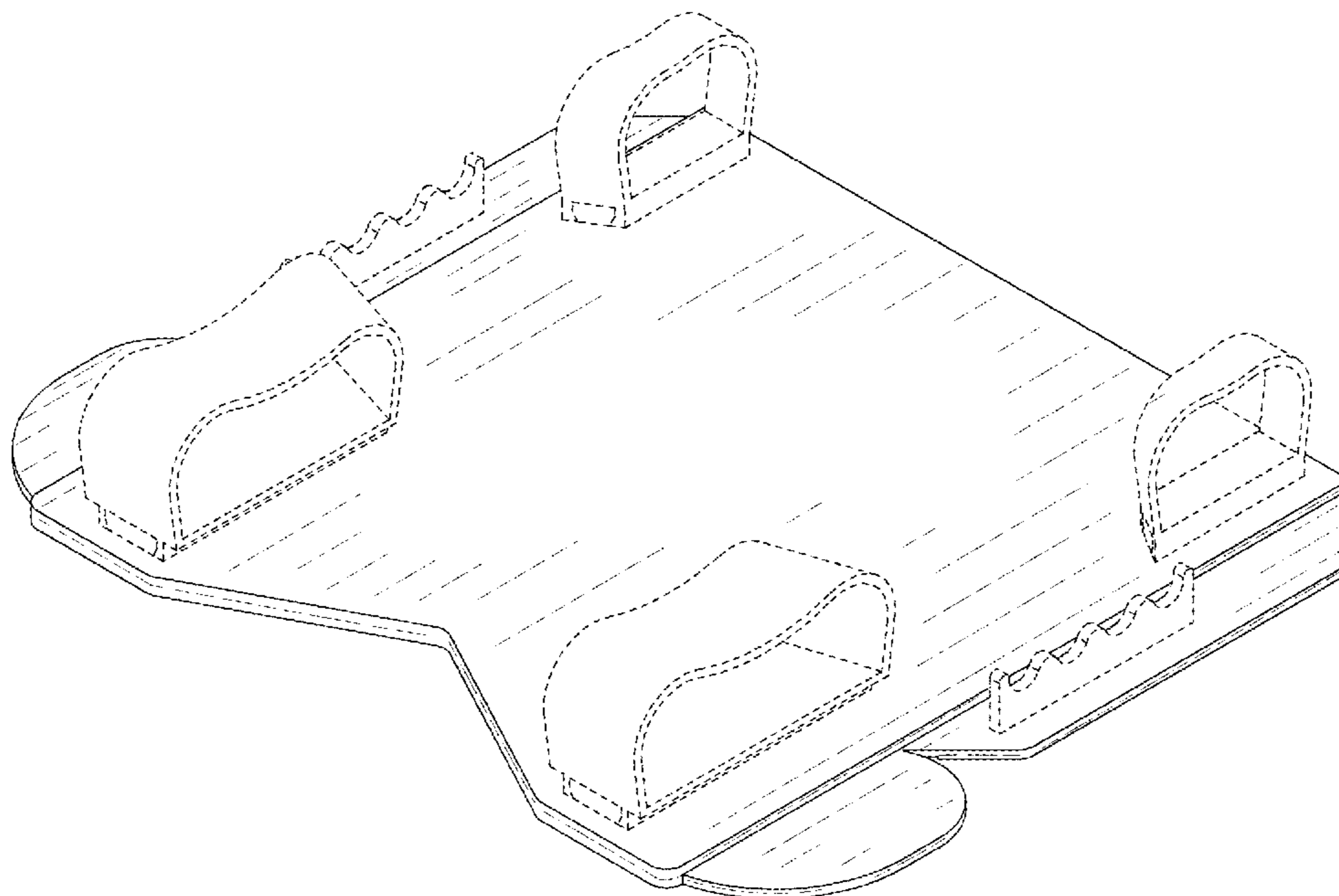
CPC ..... H02J 7/0042; H02J 7/044; H02J 7/045;  
H02J 7/0044; H04M 1/04; H04B 1/385  
See application file for complete search history.

(56) **References Cited**

**U.S. PATENT DOCUMENTS**

D609,182 S *	2/2010	Ladewig	.....	D13/118
D660,789 S *	5/2012	Mar	.....	D13/103
D662,882 S *	7/2012	Wu	.....	D13/119
D710,305 S *	8/2014	Windom	.....	D13/119

**1 Claim, 11 Drawing Sheets**



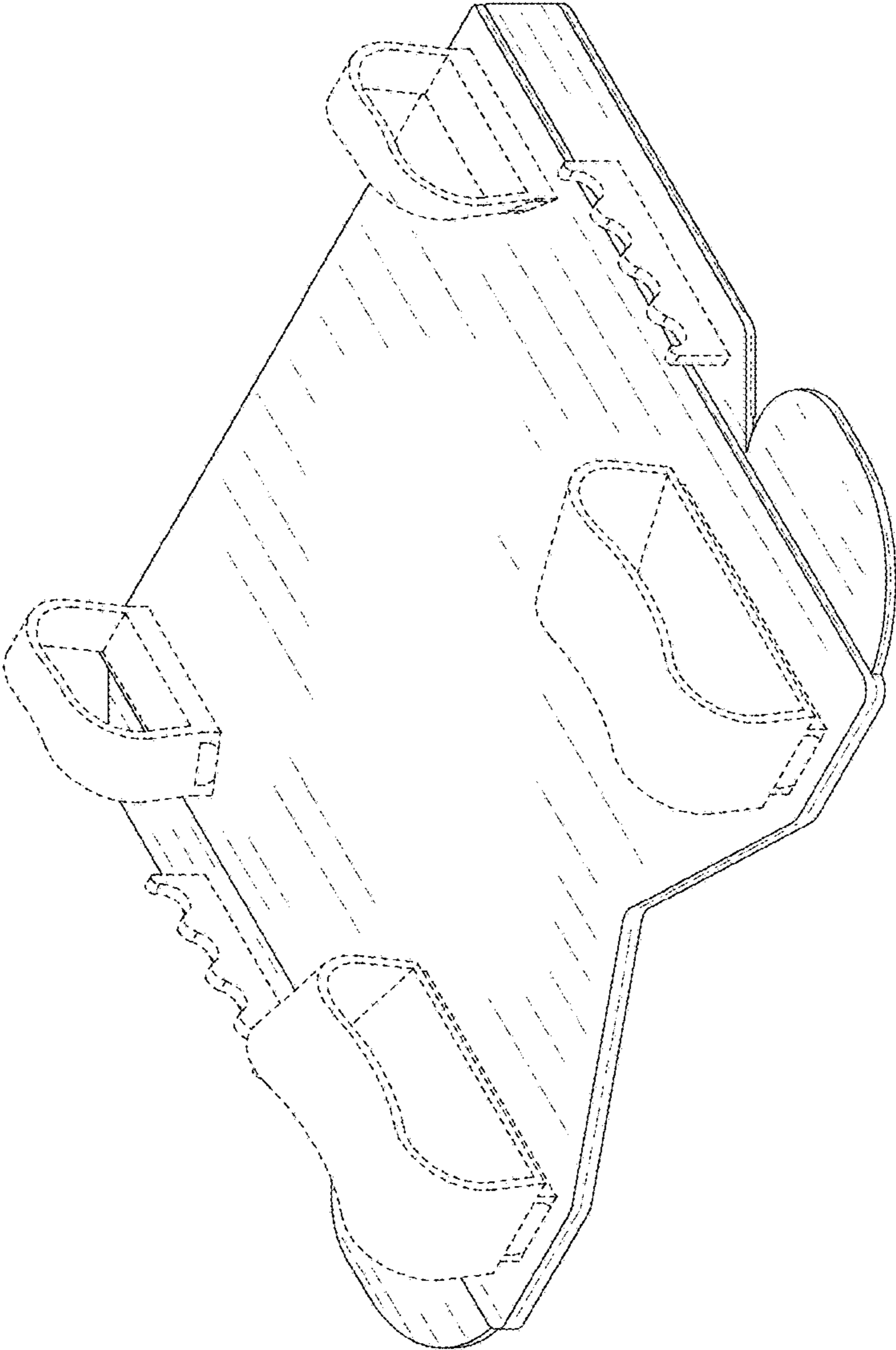


FIG. 1

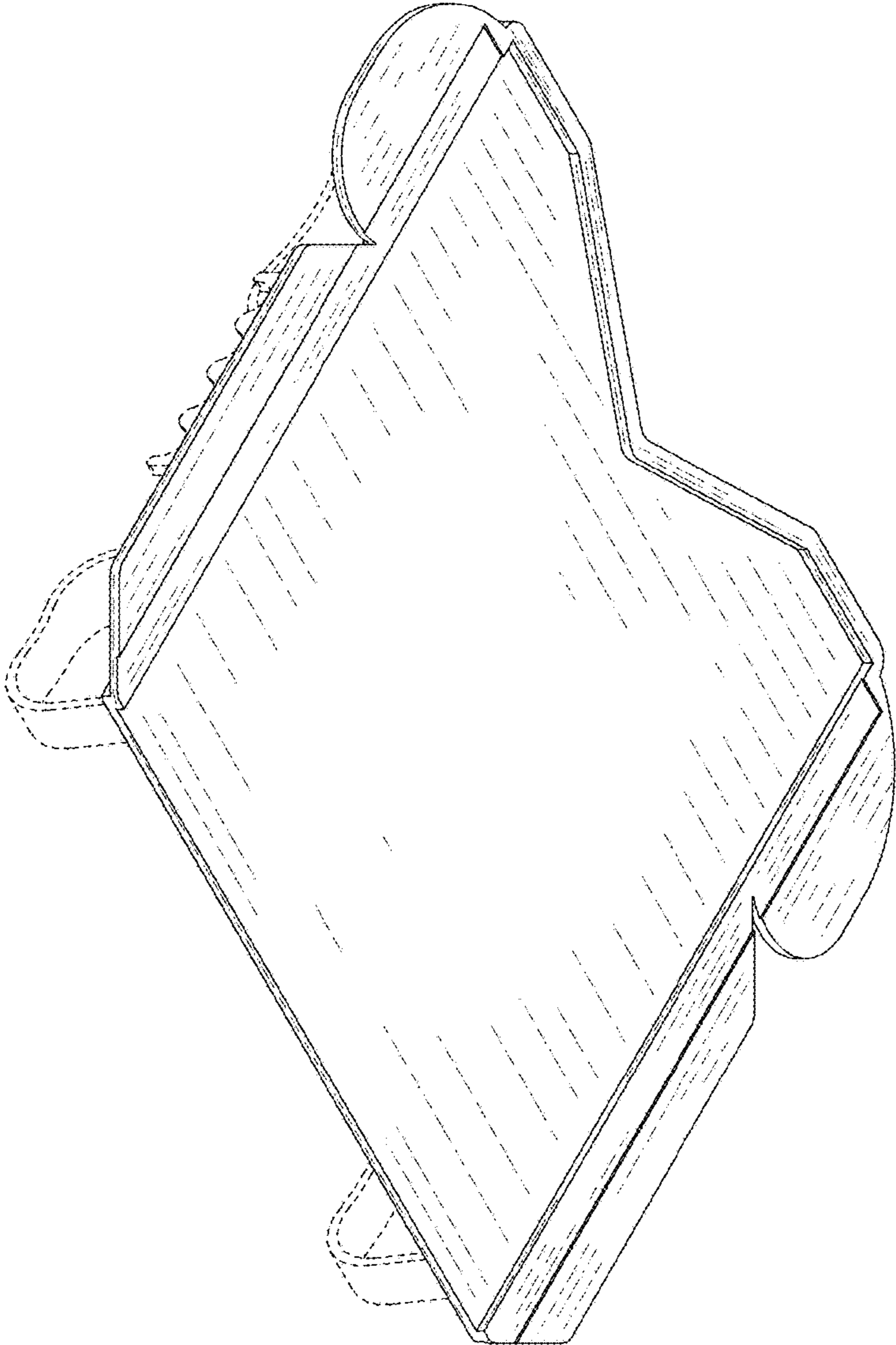


FIG. 2

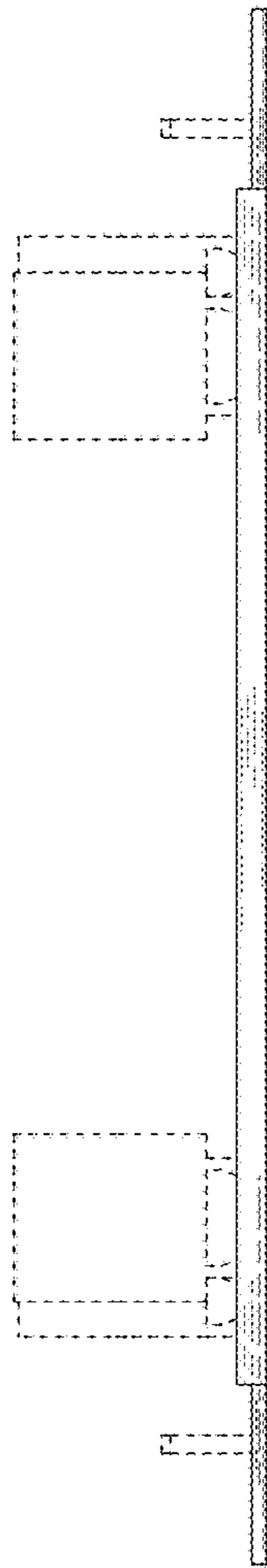


FIG. 3

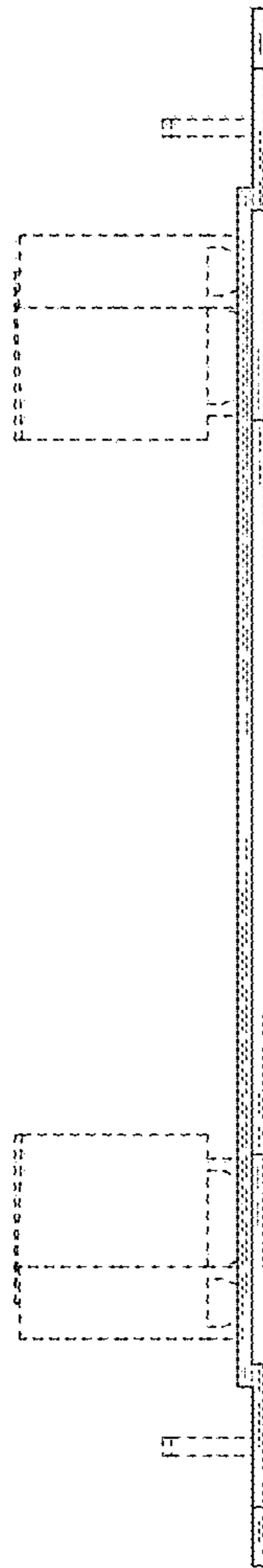


FIG. 4

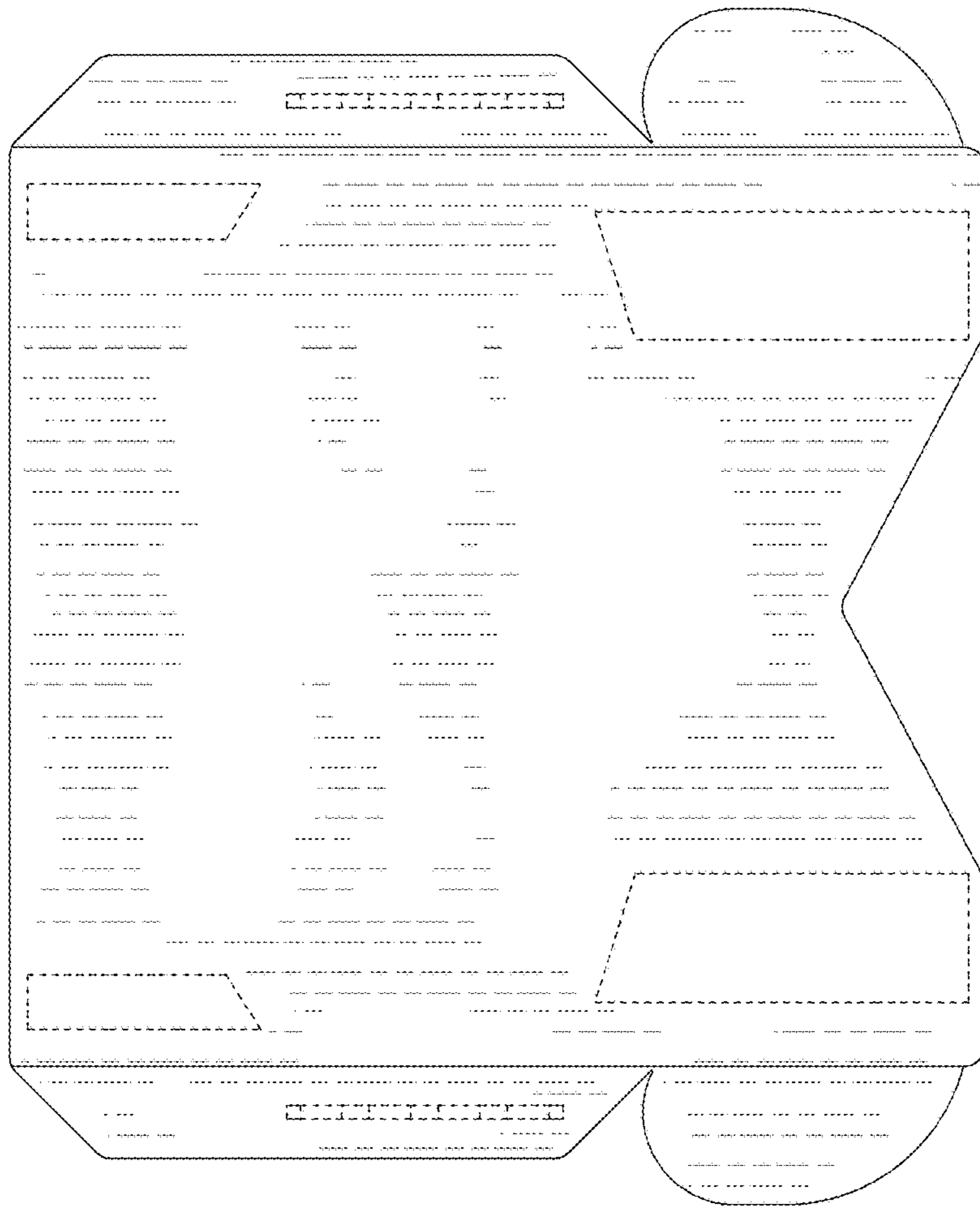


FIG. 5

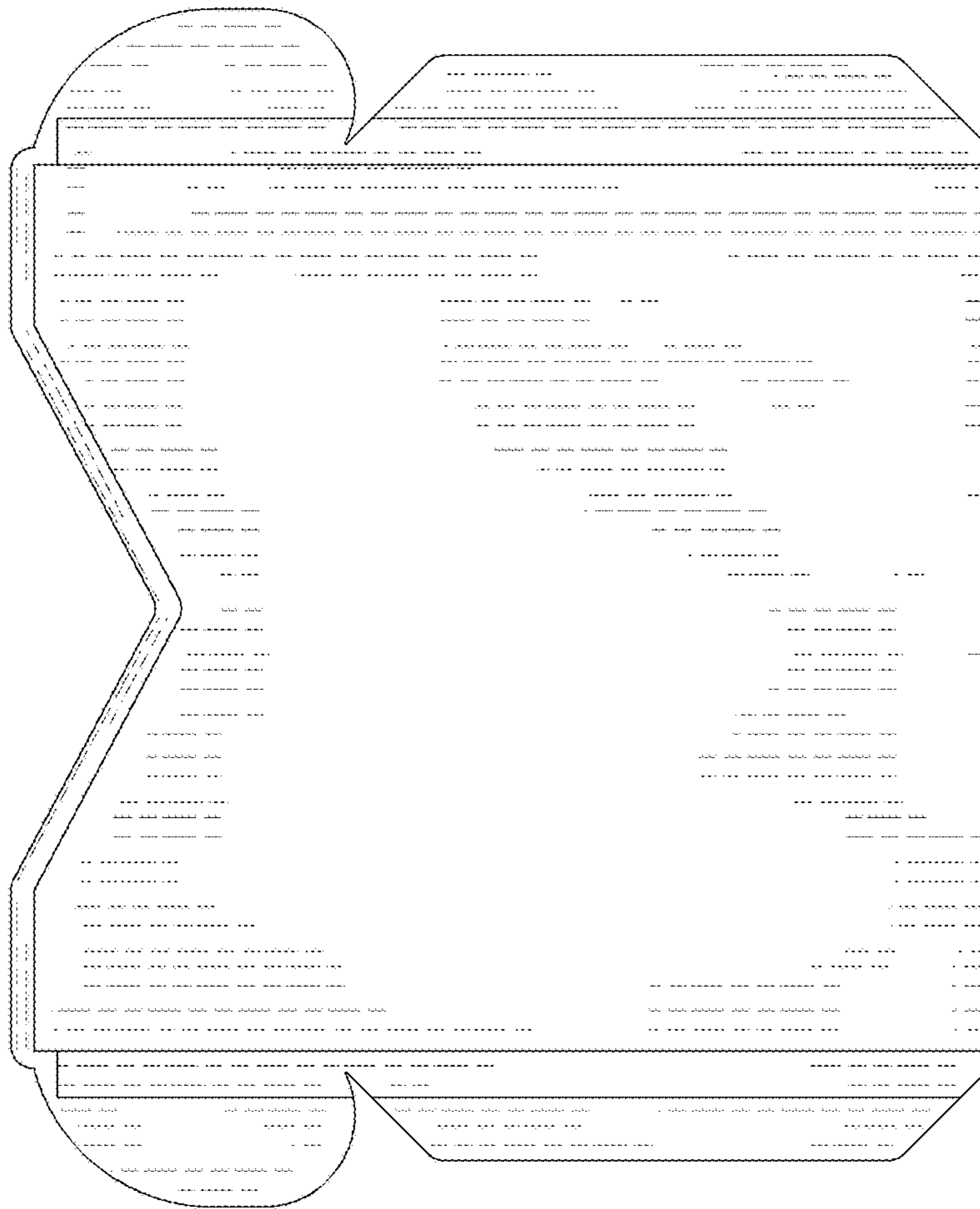


FIG. 6

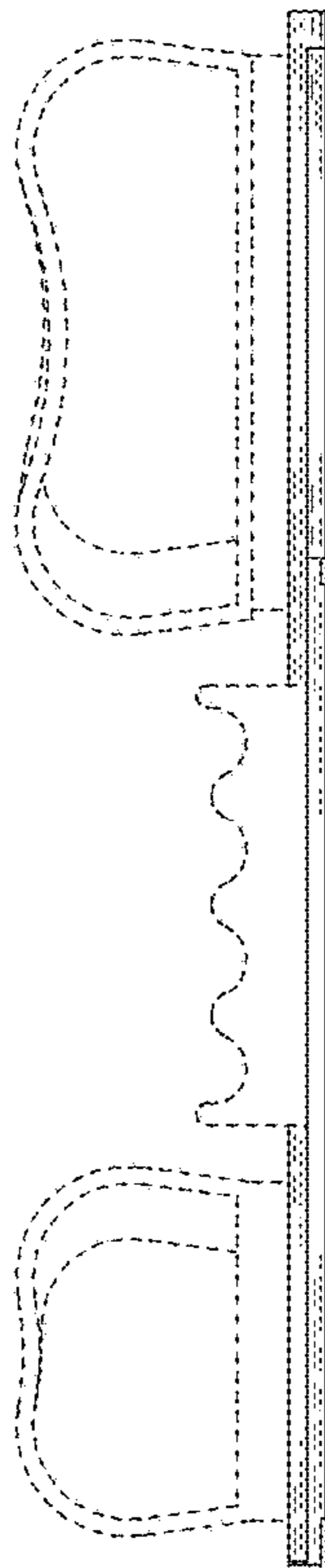


FIG. 7



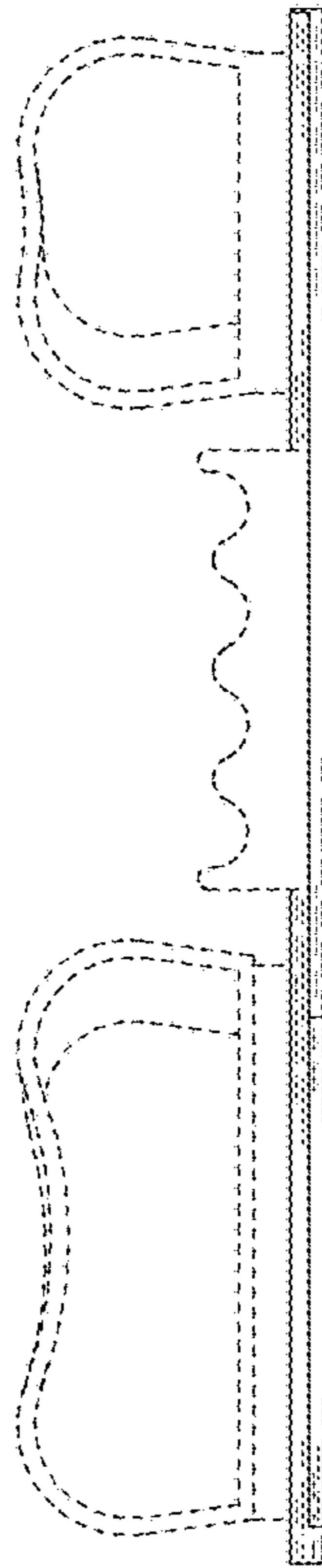


FIG. 8

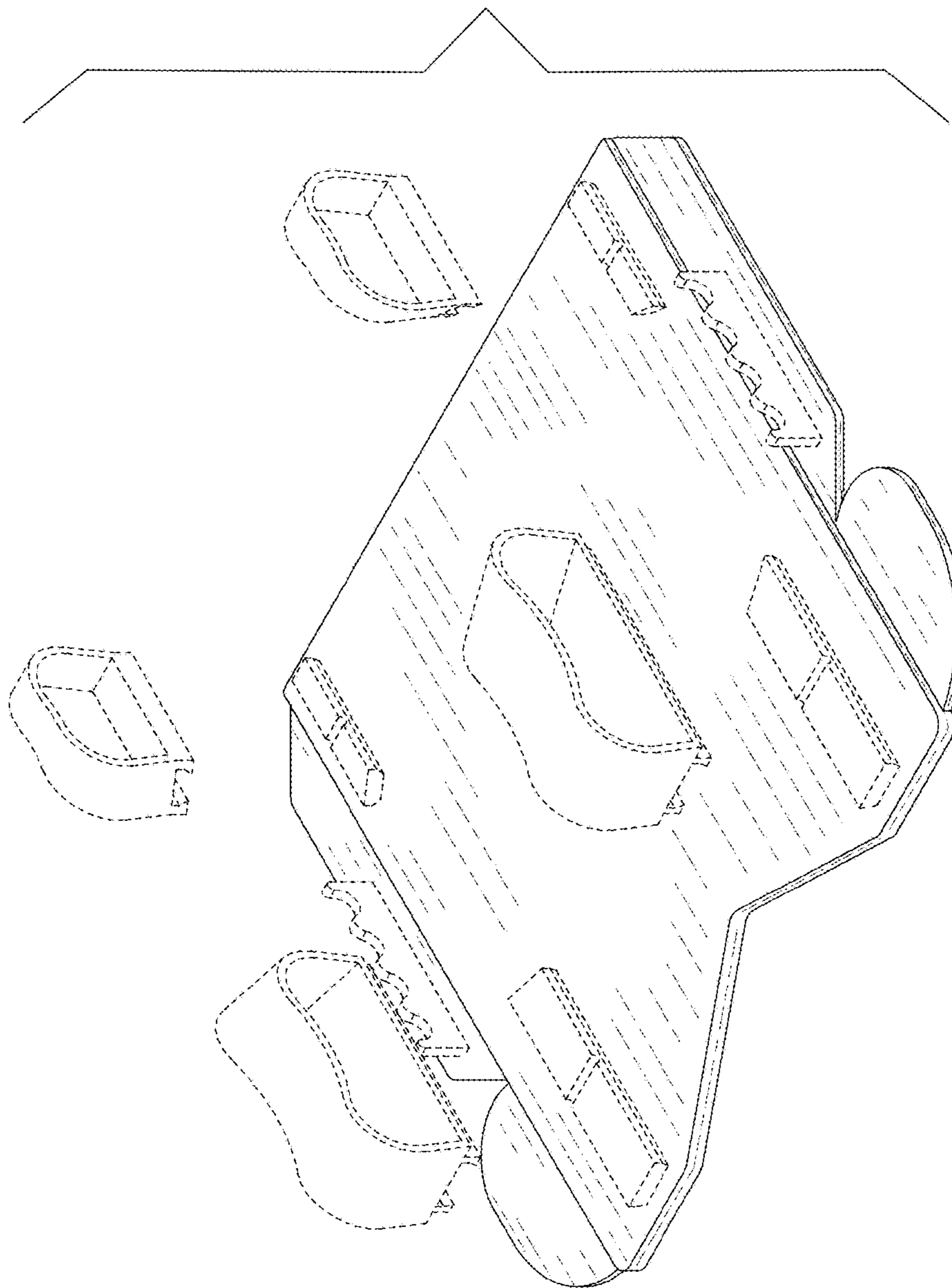


FIG. 9

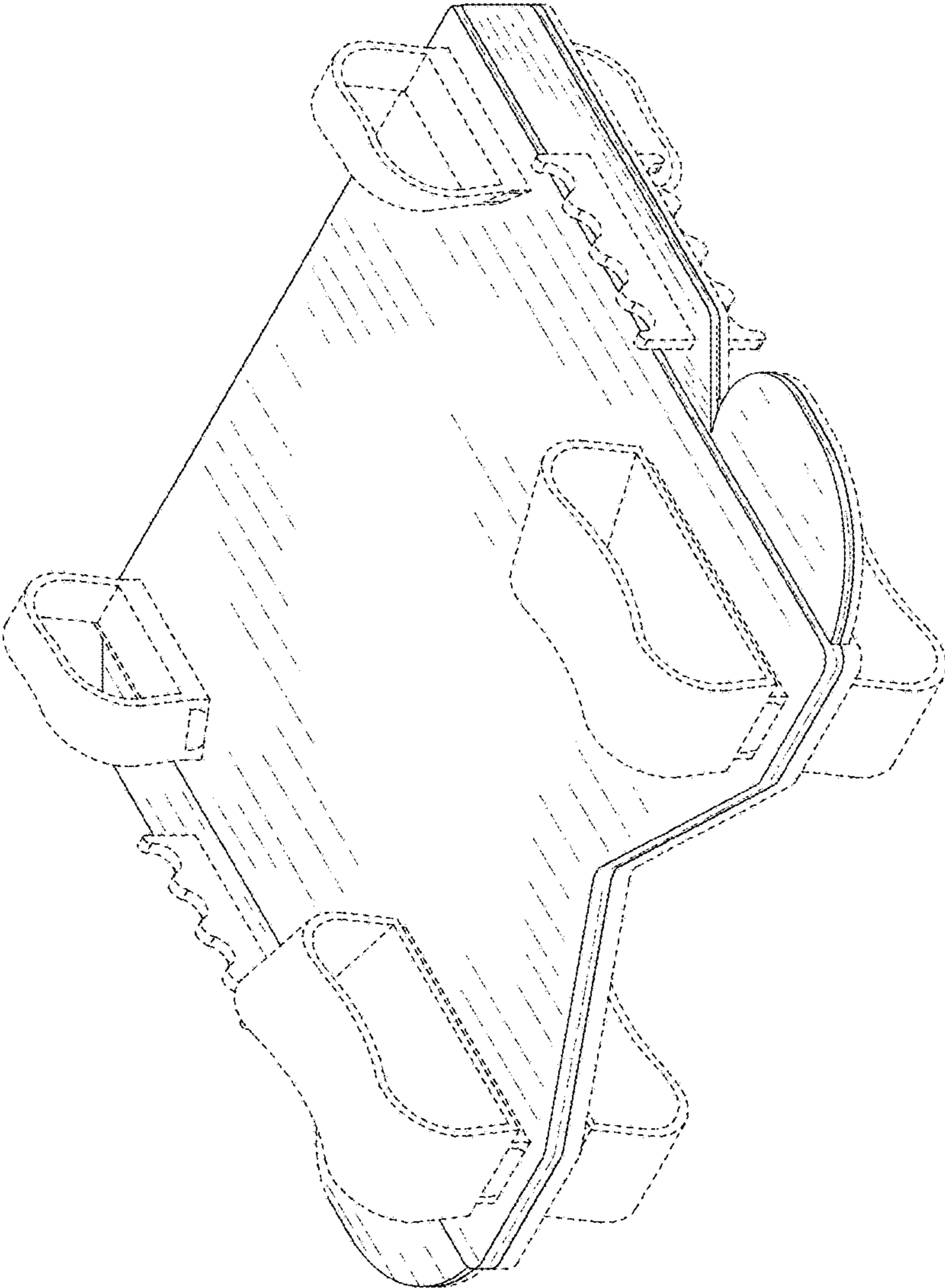


FIG. 10

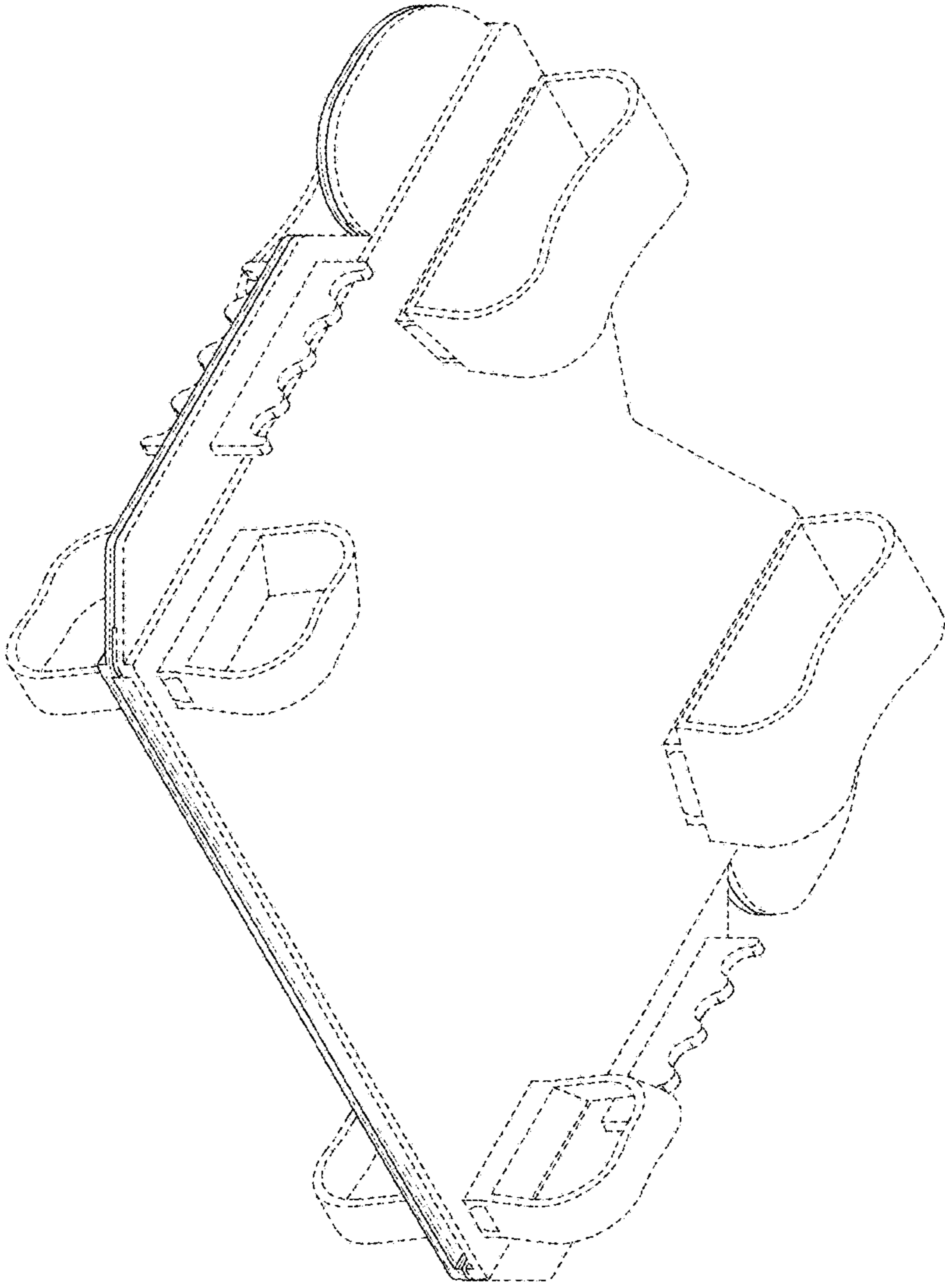


FIG. 11