



US00D867286S

(12) **United States Design Patent** (10) **Patent No.:** **US D867,286 S**  
**Akana et al.** (45) **Date of Patent:** **\*\* Nov. 19, 2019**

(54) **ADAPTER**

(71) Applicant: **Apple Inc.**, Cupertino, CA (US)

(72) Inventors: **Jody Akana**, San Francisco, CA (US); **Molly Anderson**, San Francisco, CA (US); **Bartley K. Andre**, Palo Alto, CA (US); **Shota Aoyagi**, San Francisco, CA (US); **Anthony Michael Ashcroft**, San Francisco, CA (US); **Marine C. Bataille**, San Francisco, CA (US); **Jeremy Bataillou**, San Francisco, CA (US); **Markus Diebel**, San Francisco, CA (US); **M. Evans Hankey**, San Francisco, CA (US); **Julian Hoenig**, San Francisco, CA (US); **Richard P. Howarth**, San Francisco, CA (US); **Jonathan P. Ive**, San Francisco, CA (US); **Julian Jaede**, San Francisco, CA (US); **Duncan Robert Kerr**, San Francisco, CA (US); **Peter Russell-Clarke**, San Francisco, CA (US); **Benjamin Andrew Shaffer**, San Jose, CA (US); **Mikael Silvanto**, San Francisco, CA (US); **Sung-Ho Tan**, San Francisco, CA (US); **Clement Tissandier**, San Francisco, CA (US); **Eugene Antony Whang**, San Francisco, CA (US); **Rico Zörkendörfer**, San Francisco, CA (US)

(73) Assignee: **Apple Inc.**, Cupertino, CA (US)

(\*\*) Term: **15 Years**

(21) Appl. No.: **29/650,588**

(22) Filed: **Jun. 7, 2018**

(51) **LOC (12) Cl.** ..... **13-02**

(52) **U.S. Cl.**  
USPC ..... **D13/110; D13/108**

(58) **Field of Classification Search**

USPC ..... D13/103, 107, 108, 110, 123, 133,  
D13/137.1–137.4, 138.1–138.2,  
D13/139.1–139.8, 152, 154, 184, 118,  
D13/119, 199  
CPC ..... H01R 25/00; H01R 25/006; H01R 13/00;  
H01R 13/04; H01R 13/10; H01R  
13/6666; H01R 13/6675; H01R 13/62;  
H01R 13/66; H01R 9/00; H01R 11/00;  
H01H 2207/00; H01H 2207/022; H01H  
2203/00; H02J

(Continued)

(56) **References Cited**

U.S. PATENT DOCUMENTS

D375,080 S \* 10/1996 Sandor ..... D13/138.2  
D583,316 S \* 12/2008 Sade ..... D13/108

(Continued)

FOREIGN PATENT DOCUMENTS

CN 304088328 S 3/2017  
CN 304257288 S 8/2017

*Primary Examiner* — Rosemary K Tarcza

*Assistant Examiner* — Christy M Nemeth

(74) *Attorney, Agent, or Firm* — Sterne, Kessler,  
Goldstein & Fox P.L.L.C.

(57) **CLAIM**

The ornamental design for an adapter, as shown and described.

**DESCRIPTION**

FIG. 1 is a top front perspective view of an adapter showing the claimed design;

FIG. 2 is a top rear perspective view thereof;

FIG. 3 is a front view thereof;

FIG. 4 is a rear view thereof;

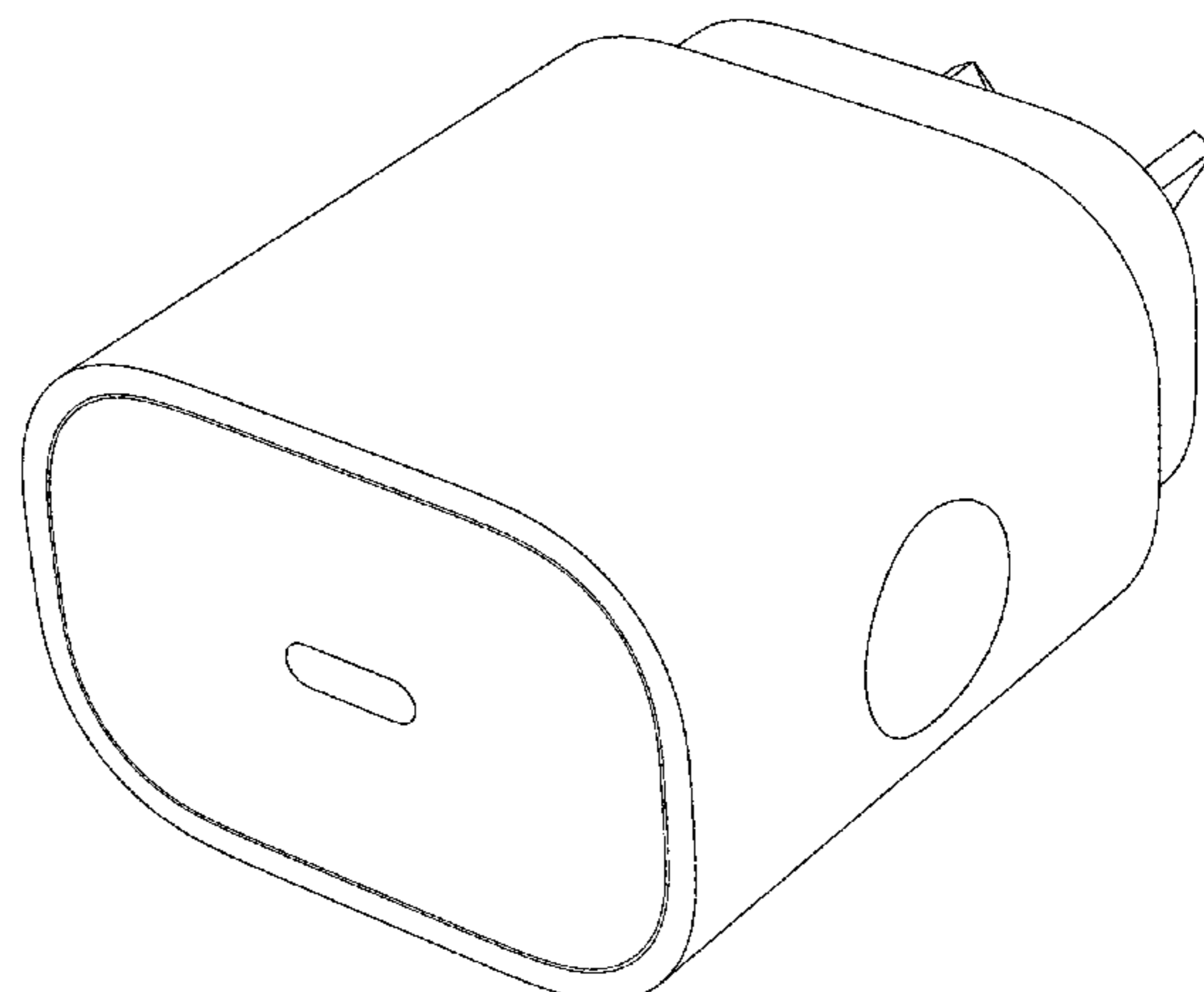
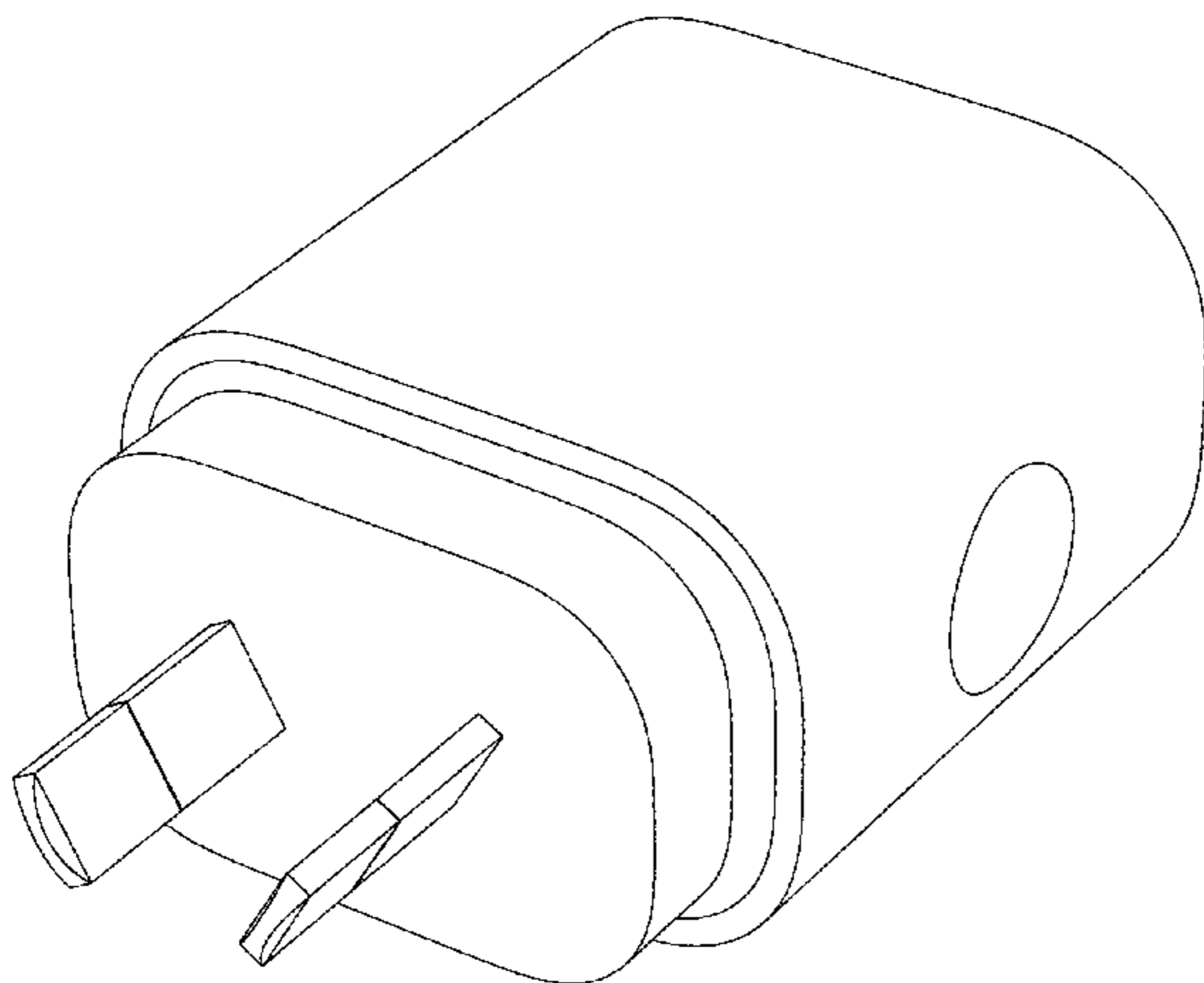
FIG. 5 is a left side view thereof;

FIG. 6 is a right side view thereof;

FIG. 7 is a top view thereof; and,

FIG. 8 is a bottom view thereof.

**1 Claim, 6 Drawing Sheets**



(58) **Field of Classification Search**  
 CPC ..... 7/00; H02J 7/0003; H02J 7/0011; H02J  
 7/0013; H02J 7/0054; H02J 7/0055; H02J  
 7/0057; H01M 2/02; H01M 2/022; H01M  
 2/0202; H01M 2/0207; H01M 2/0212;  
 H01M 2220/10; H01M 2220/20; Y02E  
 60/12; Y02E 60/122; Y02E 60/124; Y02E  
 60/50; H02G 3/285; Y02T 90/14; Y02T  
 90/122; Y02T 90/128; Y02T 90/163  
 See application file for complete search history.

(56) **References Cited**

U.S. PATENT DOCUMENTS

D587,192 S *	2/2009	McGinley	.....	D13/110	D663,687 S *	7/2012	Liu	.....	D13/108
D611,409 S *	3/2010	Green	.....	D13/110	D680,492 S *	4/2013	Smith	.....	D13/110
D611,415 S *	3/2010	Andre	.....	D13/108	D683,314 S *	5/2013	Andre	.....	D13/108
D614,129 S *	4/2010	Nylen	.....	D13/108	D693,764 S *	11/2013	Hok Man	.....	D13/108
D614,130 S *	4/2010	Nylen	.....	D13/108	D704,630 S *	5/2014	Liu	.....	D13/108
D621,348 S *	8/2010	Nylen	.....	D13/108	D705,725 S *	5/2014	Ryu	.....	D13/108
D621,349 S *	8/2010	Nylen	.....	D13/108	D711,823 S *	8/2014	Akana	.....	D13/110
D623,136 S *	9/2010	Andre	.....	D13/108	D730,823 S *	6/2015	Leung	.....	D13/108
D627,728 S *	11/2010	Smith	.....	D13/108	D734,259 S *	7/2015	Cepress	.....	D13/110
D627,729 S *	11/2010	Smith	.....	D13/108	D734,260 S *	7/2015	Cepress	.....	D13/110
D638,357 S *	5/2011	Sasada	.....	D13/110	D740,751 S *	10/2015	Akana	.....	D13/110
D653,208 S *	1/2012	Au	.....	D13/108	D742,309 S *	11/2015	Sumida	.....	D13/108
D653,614 S *	2/2012	Au	.....	D13/108	9,236,699 B2 *	1/2016	Lai	.....	H01R 31/065
D653,615 S *	2/2012	Au	.....	D13/108	9,343,850 B2 *	5/2016	Colahan	.....	H01R 13/6675
D654,020 S *	2/2012	Au	.....	D13/108	D763,190 S *	8/2016	Akana	.....	D13/110
D655,243 S *	3/2012	Au	.....	D13/108	D778,835 S *	2/2017	Akana	.....	D13/110
D663,267 S *	7/2012	Kim	.....	D13/110	D790,465 S *	6/2017	Zhao	.....	D13/110
					D791,076 S *	7/2017	Kim	.....	D13/108
					D798,233 S *	9/2017	Huang	.....	D13/108
					D798,806 S *	10/2017	Soriano	.....	D13/108
					D799,422 S *	10/2017	Chen	.....	D13/108
					D804,412 S *	12/2017	Huang	.....	D13/108
					D808,903 S *	1/2018	Koenig	.....	D13/110
					D808,904 S *	1/2018	Koenig	.....	D13/110
					D820,206 S *	6/2018	Cai	.....	D13/108
					D821,972 S *	7/2018	Wei	.....	D13/108
					D826,853 S *	8/2018	Nauroy	.....	D13/108
					D834,516 S *	11/2018	Jin	.....	D13/108
					D839,823 S *	2/2019	Lemelson	.....	D13/103
					D841,582 S *	2/2019	Tian	.....	D13/108
					D842,803 S *	3/2019	Nishizawa	.....	D13/108
					D845,898 S *	4/2019	Laffon de Mazieres	....	D13/110

\* cited by examiner

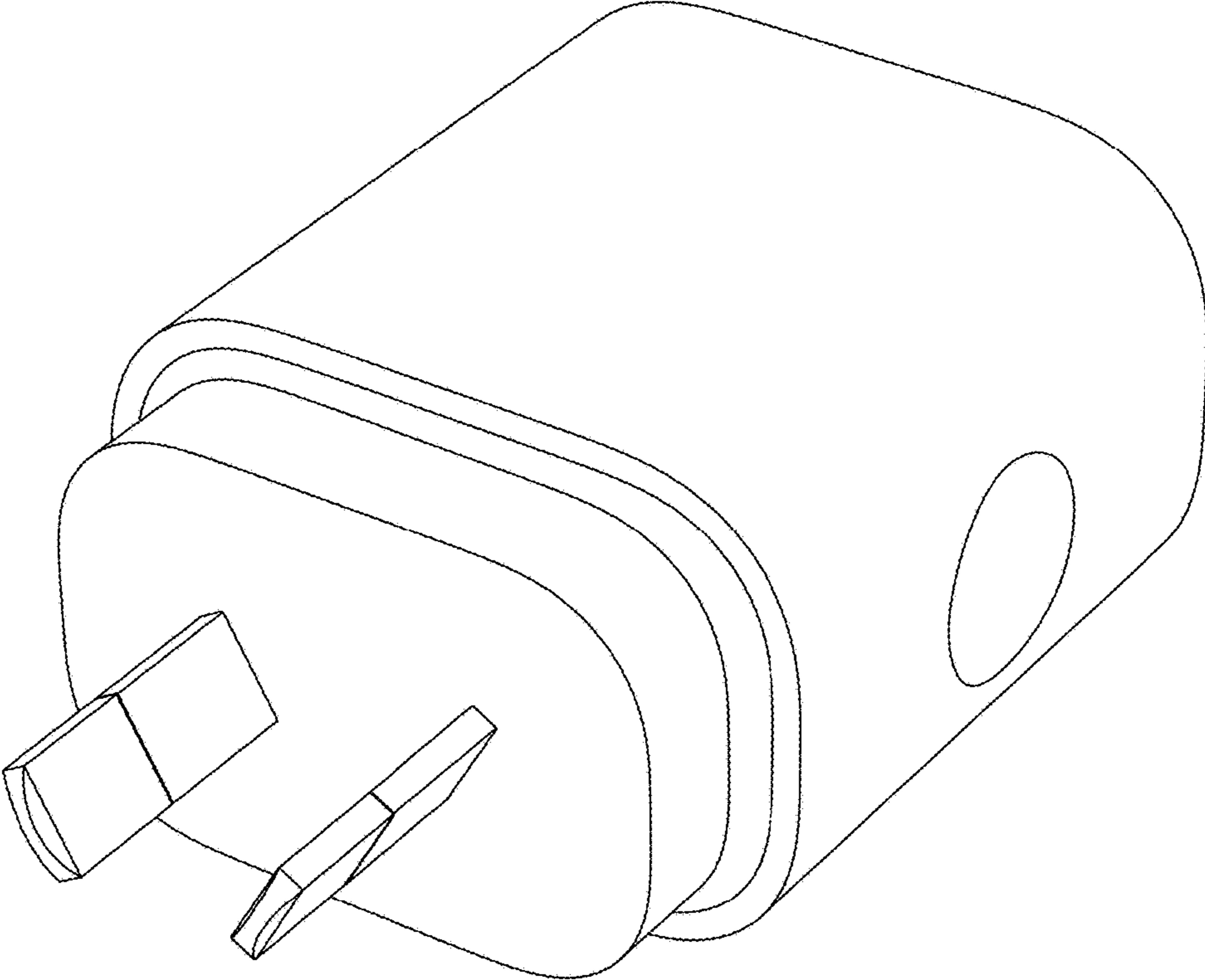


FIG. 1

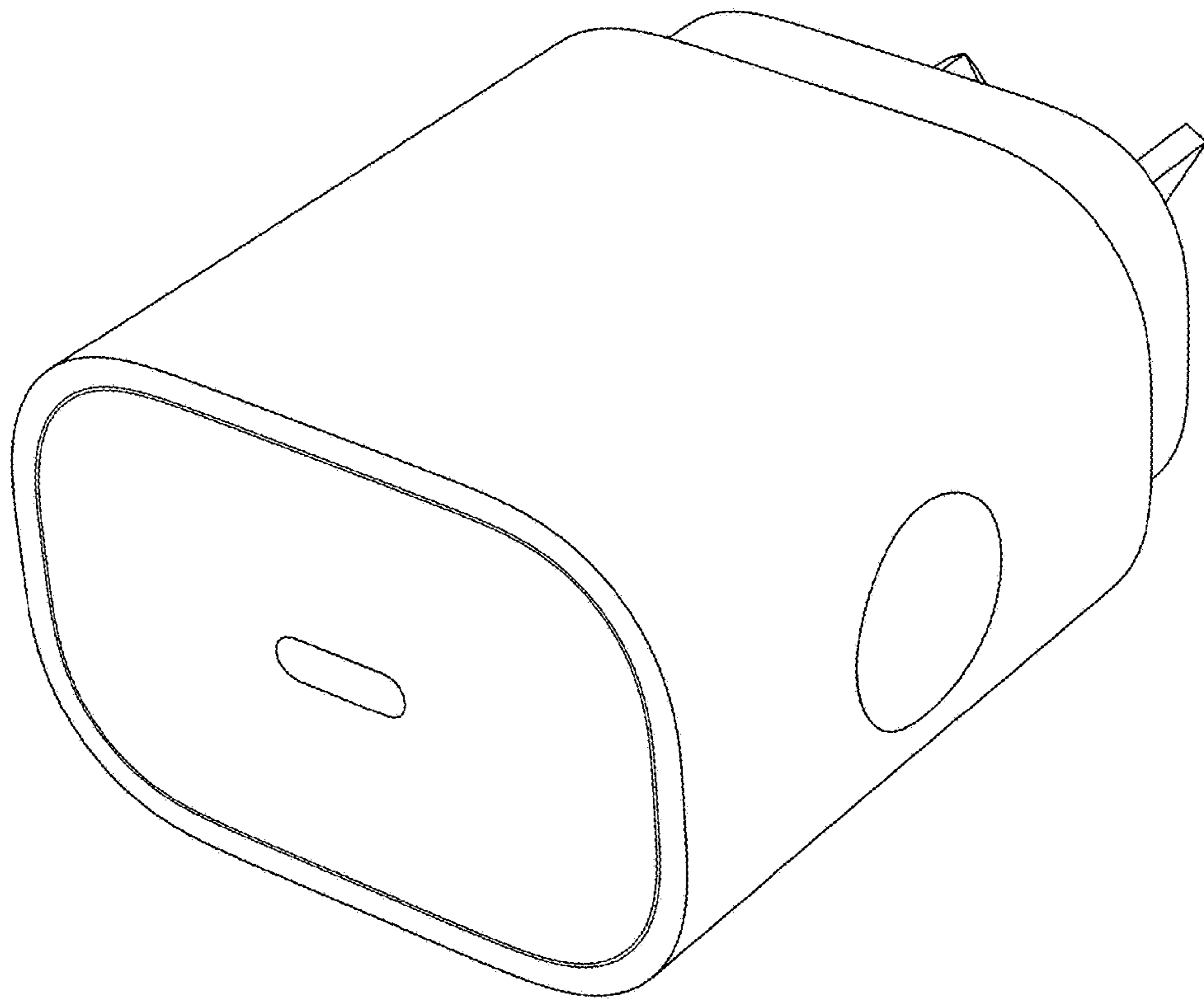


FIG. 2

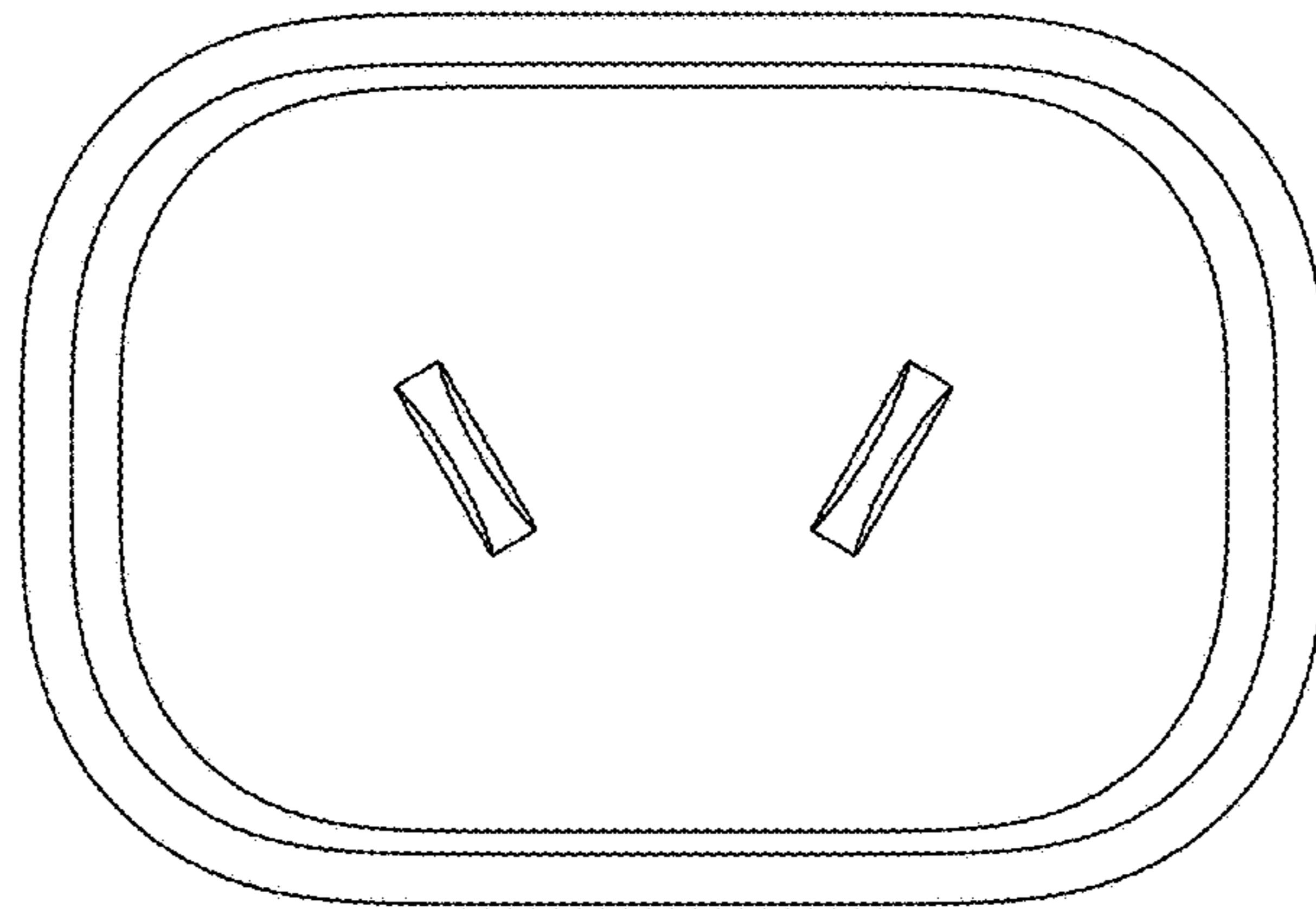


FIG. 3

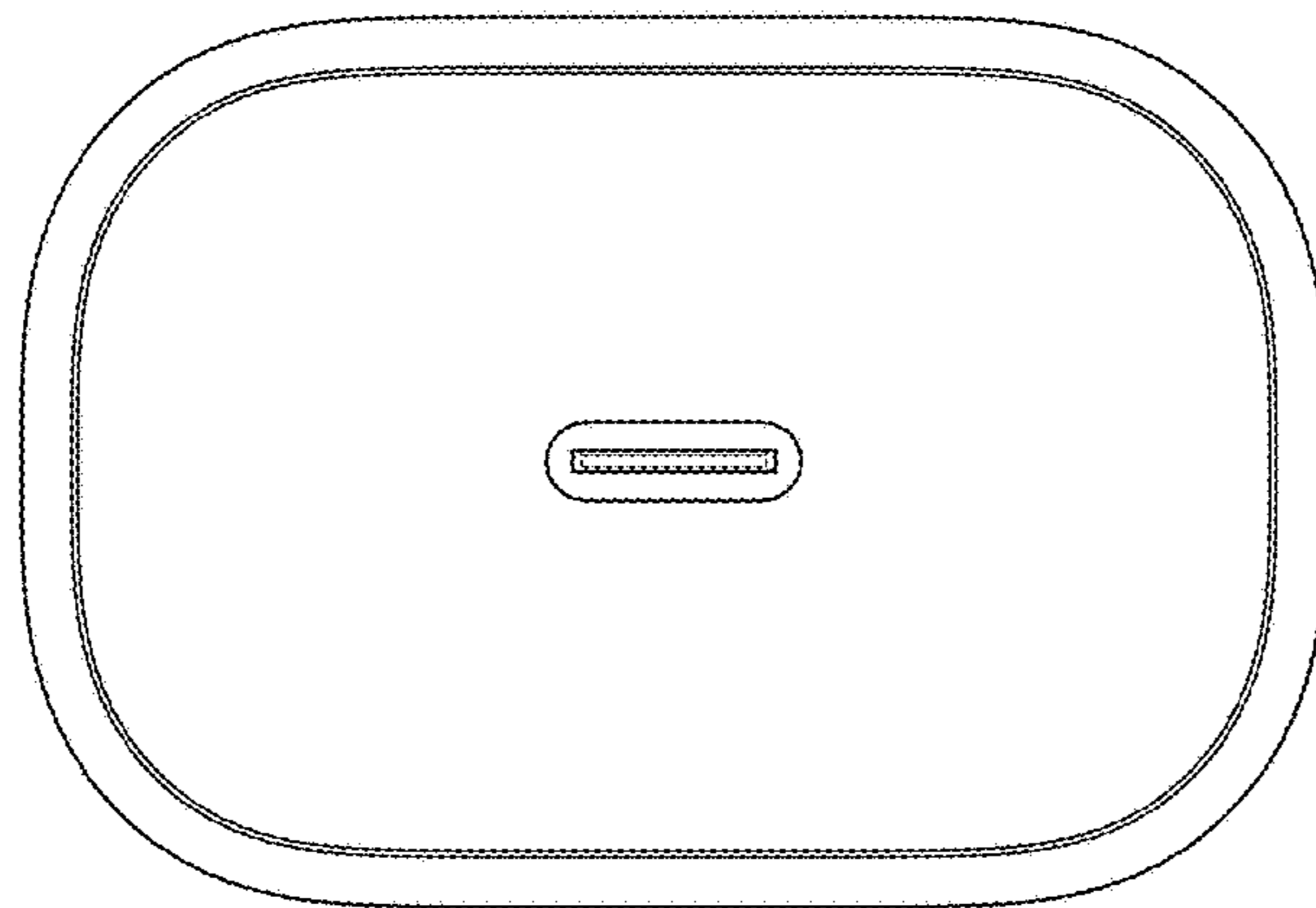


FIG. 4

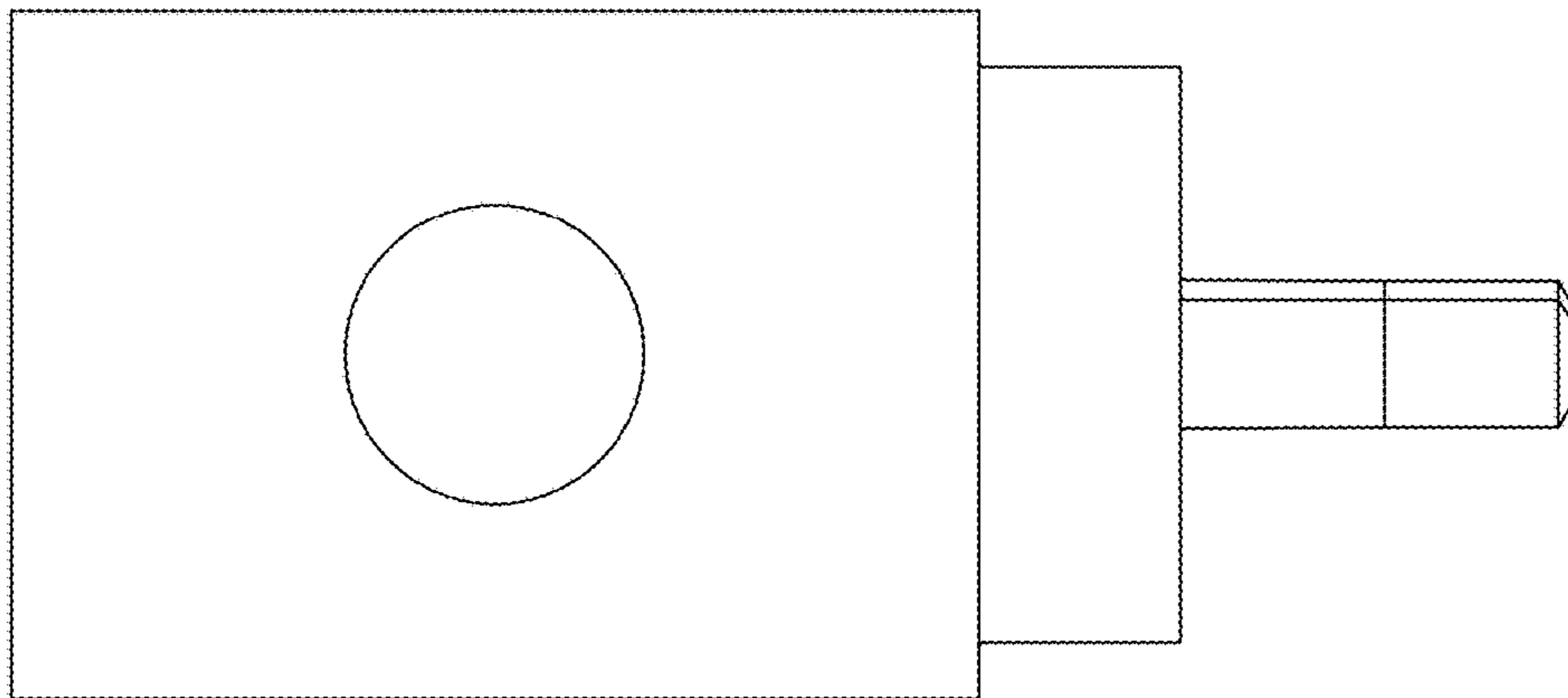


FIG. 5

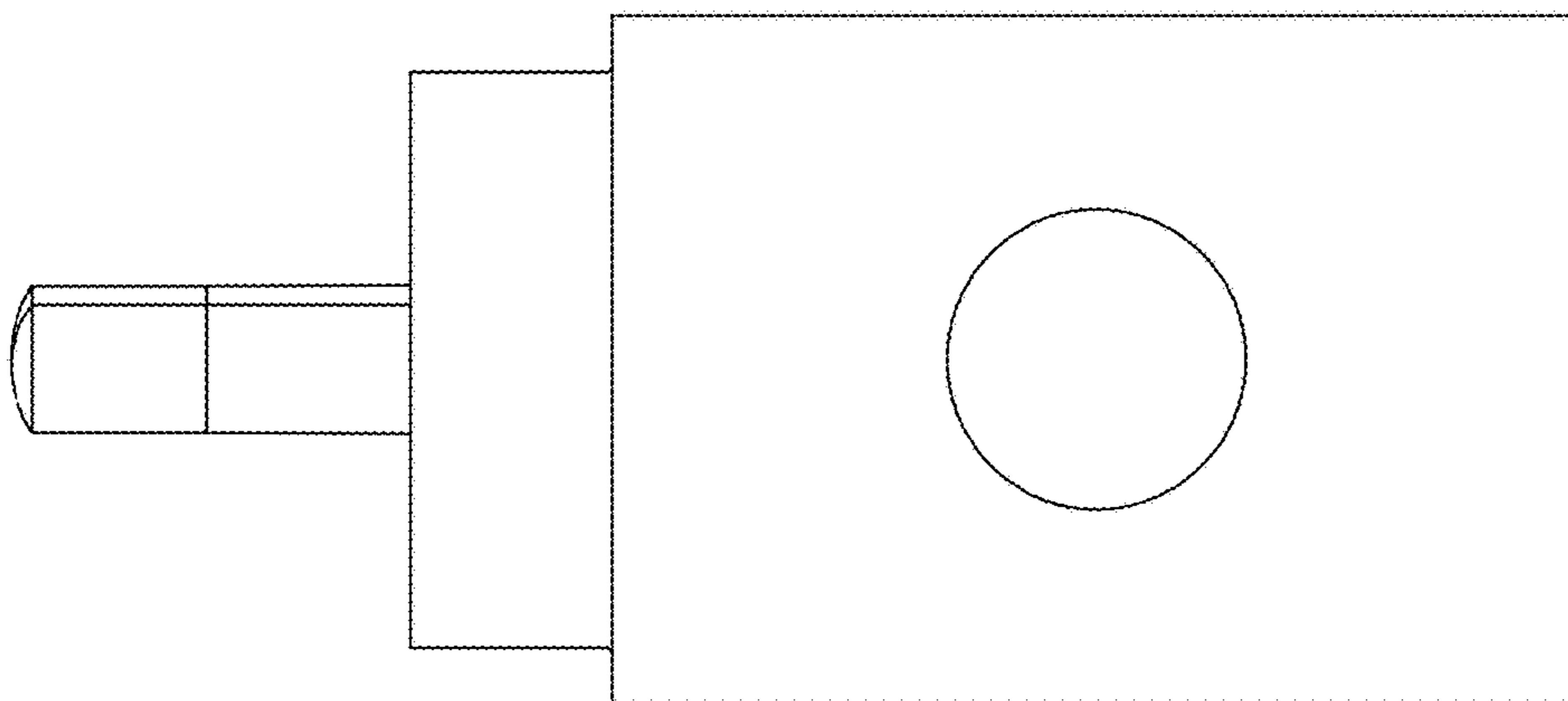


FIG. 6

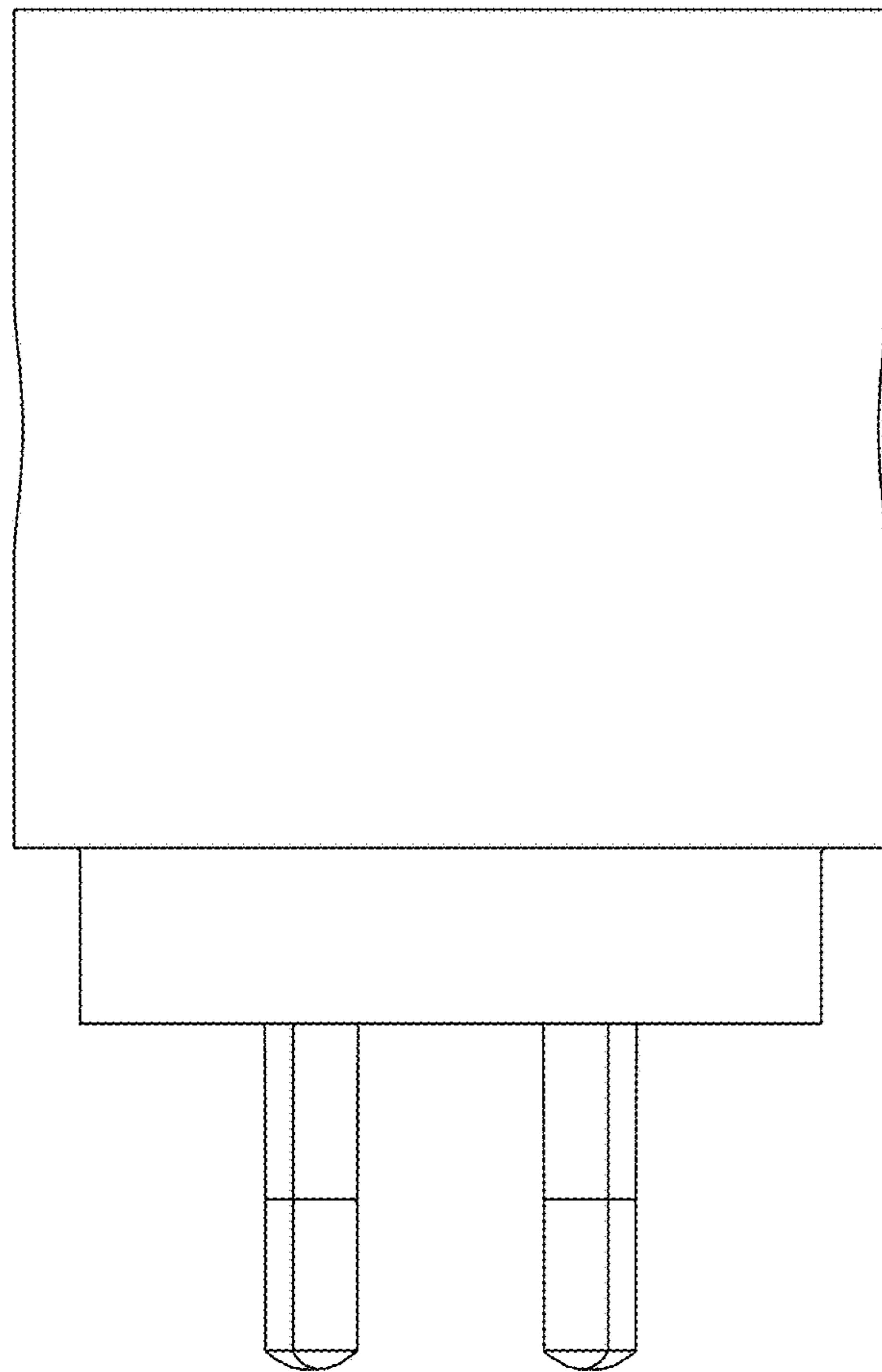


FIG. 7

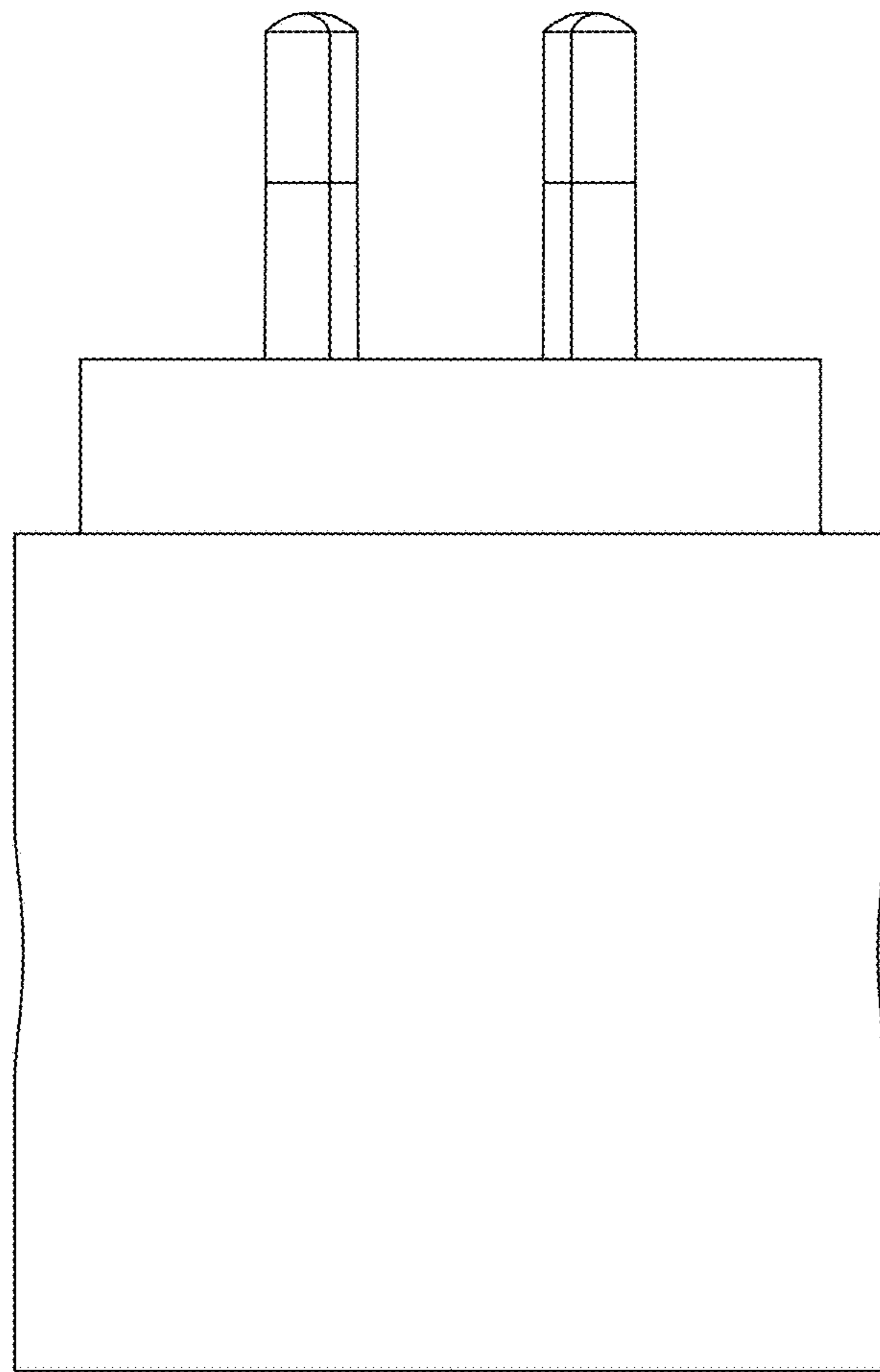


FIG. 8