



US00D867283S

(12) **United States Design Patent** (10) **Patent No.:** **US D867,283 S**  
**Hoffmann et al.** (45) **Date of Patent:** **\*\* Nov. 19, 2019**

(54) **CONTROLLER CASING**

(71) Applicant: **d.light design, Inc.**, San Francisco, CA (US)

(72) Inventors: **Eva Hoffmann**, New York, NY (US);  
**Ji Guo Qing**, Shenzhen (CN); **He Zhi Jun**, Shenzhen (CN)

(73) Assignee: **d.light design, Inc.**, San Francisco, CA (US)

(\*\*) Term: **15 Years**

(21) Appl. No.: **29/589,139**

(22) Filed: **Dec. 28, 2016**

(51) **LOC (12) Cl.** ..... **13-02**

(52) **U.S. Cl.**  
USPC ..... **D13/110**

(58) **Field of Classification Search**

USPC ..... D13/110, 101, 118, 122, 123, 162, 184,  
D13/199; 307/150–152; 361/600, 601,  
361/622, 702, 703, 730, 796, 809;  
363/141, 142; D10/150; D14/301

CPC ..... Y02E 10/50; Y02E 10/544; H02S 30/20;  
H01L 31/042; H01F 27/06

See application file for complete search history.

(56) **References Cited**

**U.S. PATENT DOCUMENTS**

D343,212 S *	1/1994	Orton	.....	D21/566
D481,014 S *	10/2003	Droulin	.....	D13/162.1
D508,467 S *	8/2005	Decosse	.....	D13/162
D546,761 S *	7/2007	Schnackenberg	.....	D13/122
D578,027 S *	10/2008	Bray	.....	D10/50
D660,798 S *	5/2012	Tseng	.....	D13/110

\* cited by examiner

*Primary Examiner* — Derrick E Holland

(74) *Attorney, Agent, or Firm* — Morgan, Lewis & Bockius LPP

(57) **CLAIM**

The ornamental design for a controller casing, as shown and described.

**DESCRIPTION**

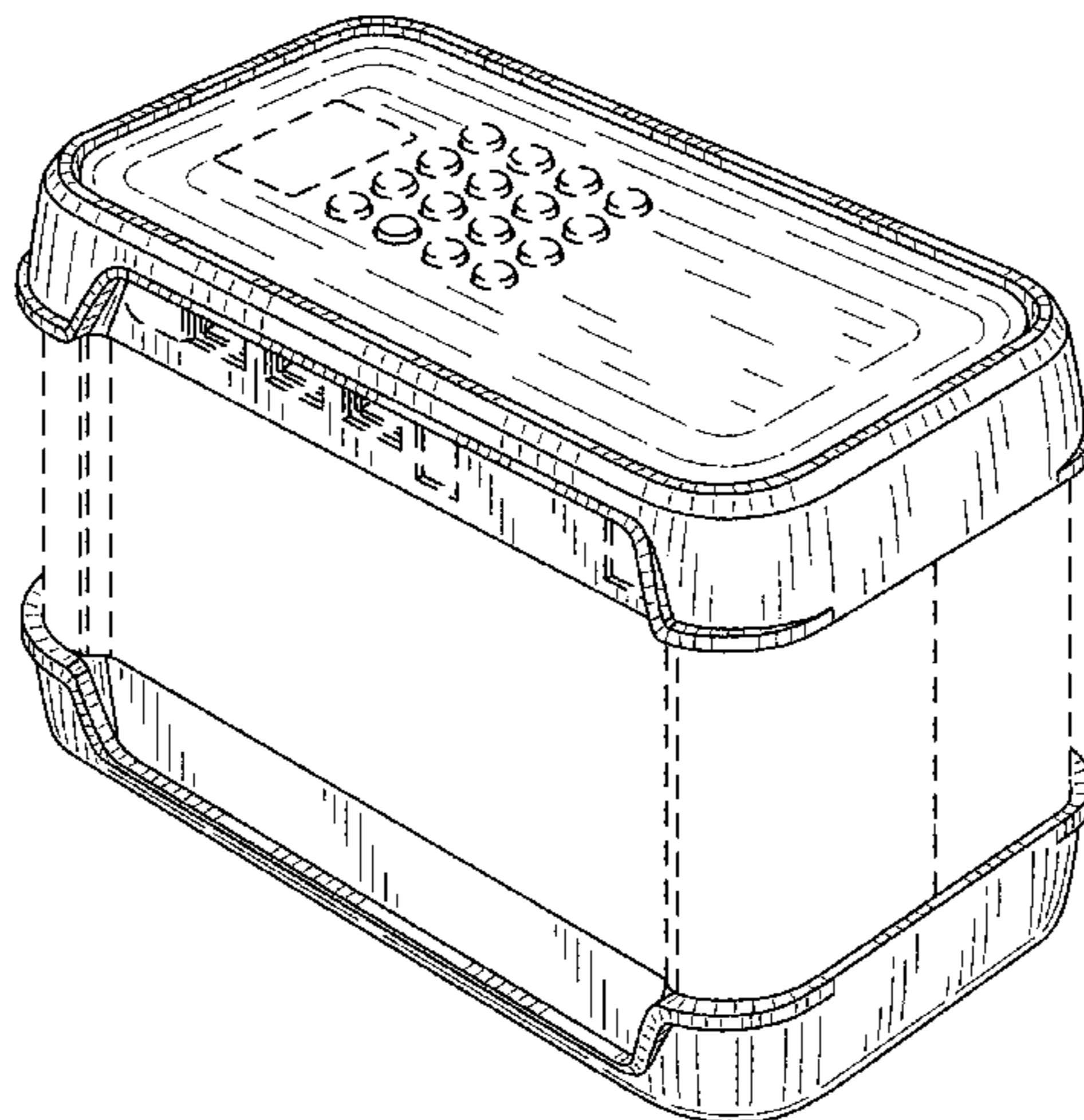
FIG. 1 is a front perspective view of a first embodiment of a controller casing showing our new design; FIG. 2 is a bottom perspective view of the design of FIG. 1; FIG. 3 is a front view of the design of FIG. 1; FIG. 4 is a rear view of the design of FIG. 1; FIG. 5 is a first side view of the design of FIG. 1; FIG. 6 is a second side view of the design of FIG. 1; FIG. 7 is a top view of the design of FIG. 1; and FIG. 8 is a bottom view of the design of FIG. 1.

FIG. 9 is a front perspective view of a second embodiment of a controller casing showing our new design; FIG. 10 is a bottom perspective view of the design of FIG. 9; FIG. 11 is a front view of the design of FIG. 9; FIG. 12 is a rear view of the design of FIG. 9; FIG. 13 is a first side view of the design of FIG. 9; FIG. 14 is a second side view of the design of FIG. 9; FIG. 15 is a top view of the design of FIG. 9; and FIG. 16 is a bottom view of the design of FIG. 9.

FIG. 17 is a front perspective view of a third embodiment of a controller casing showing our new design; FIG. 18 is a bottom perspective view of the design of FIG. 17; FIG. 19 is a front view of the design of FIG. 17; FIG. 20 is a rear view of the design of FIG. 17; FIG. 21 is a first side view of the design of FIG. 17; FIG. 22 is a second side view of the design of FIG. 17; FIG. 23 is a top view of the design of FIG. 17; and FIG. 24 is a bottom view of the design of FIG. 17.

In the drawings, evenly-spaced broken lines showing various elements depict environment and form no part of the claimed design.

**1 Claim, 24 Drawing Sheets**



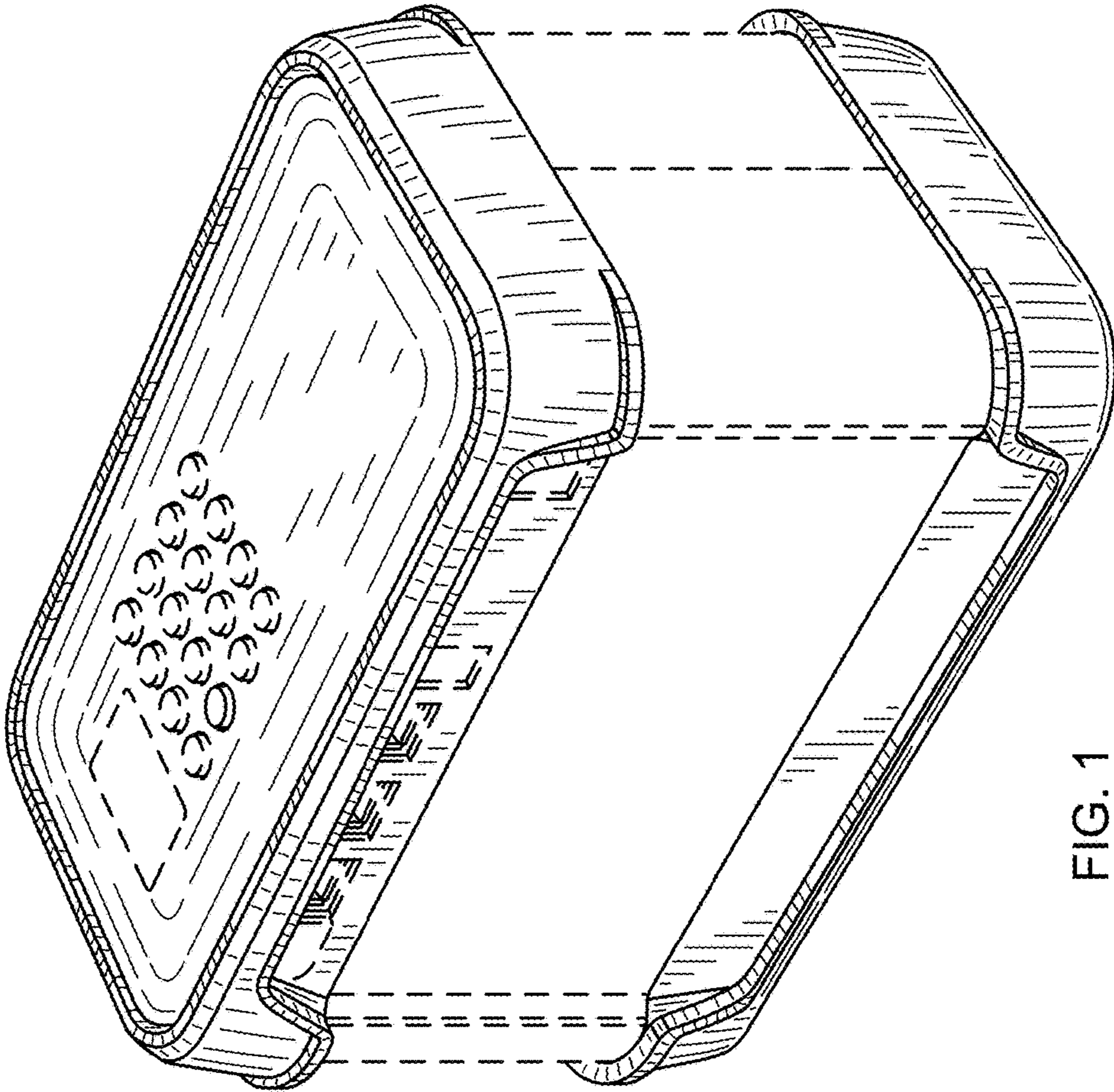


FIG. 1

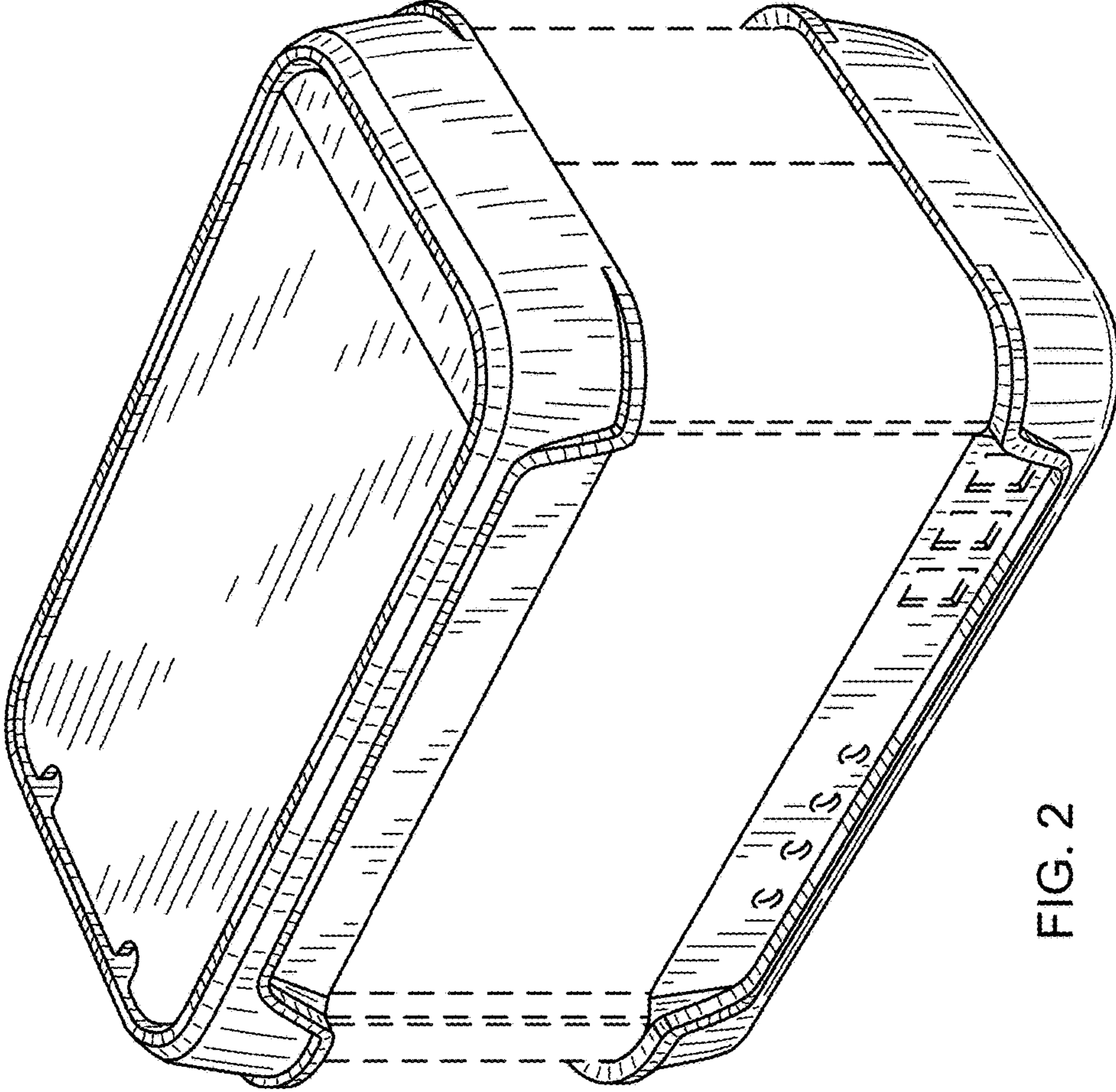


FIG. 2

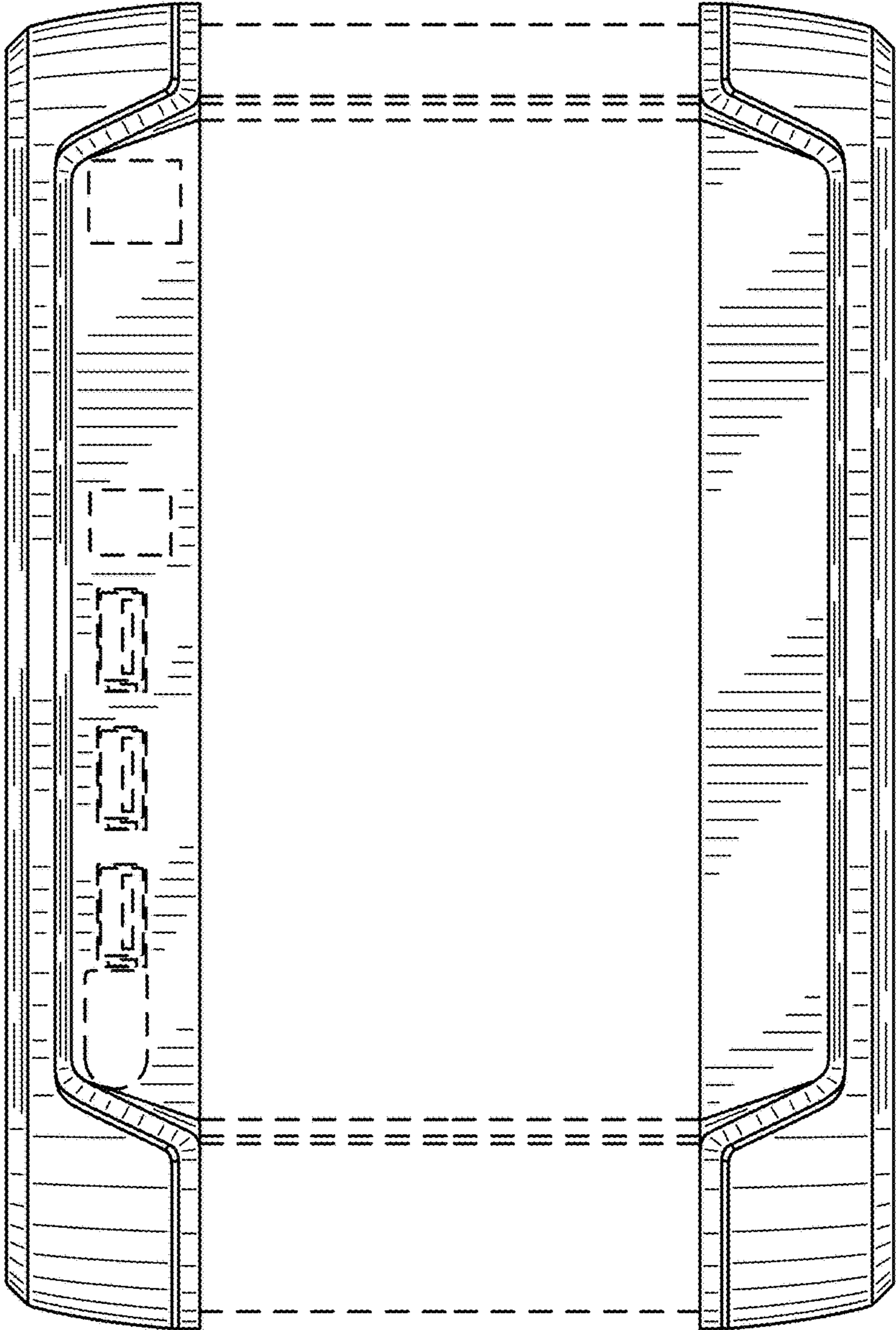


FIG. 3

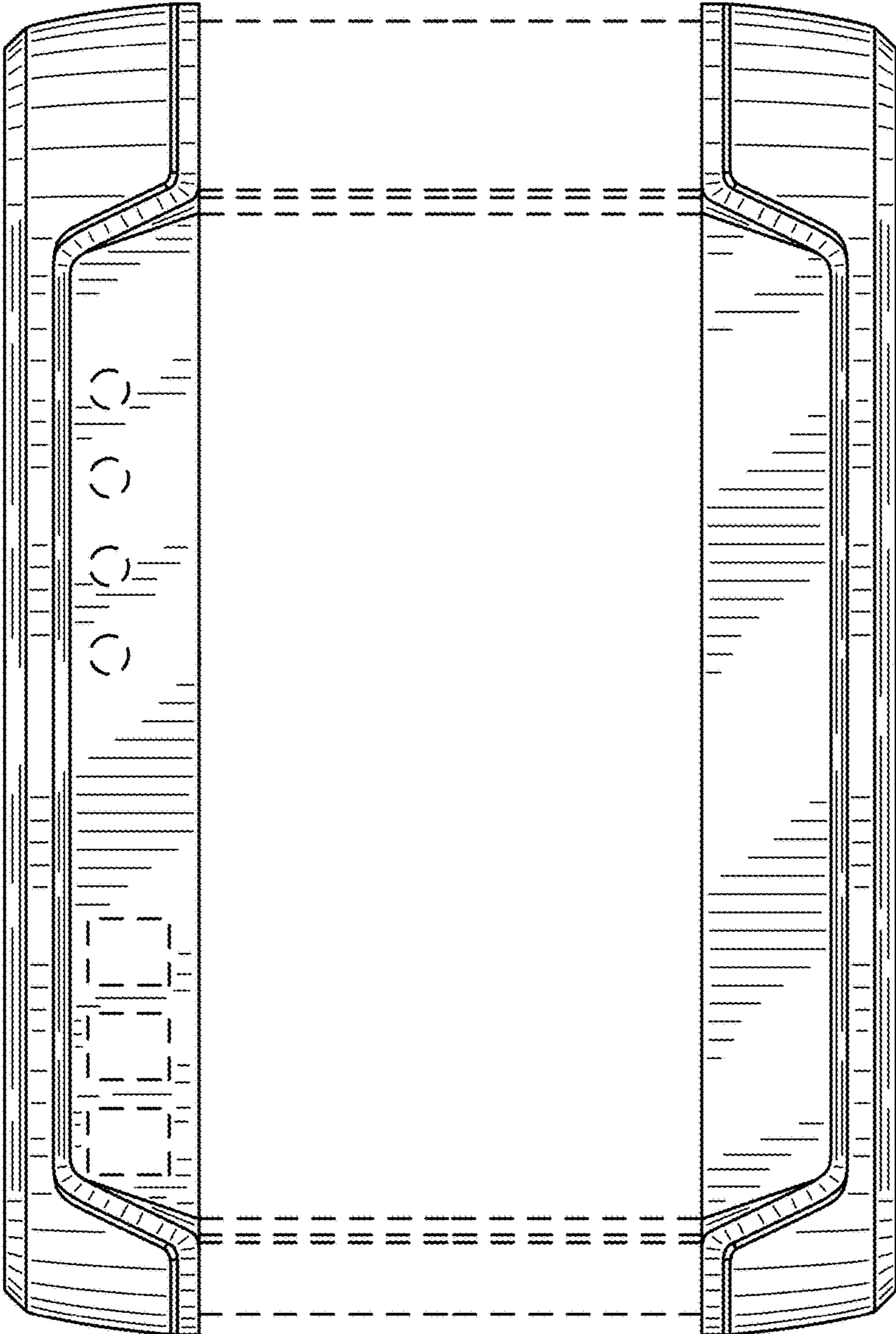


FIG. 4

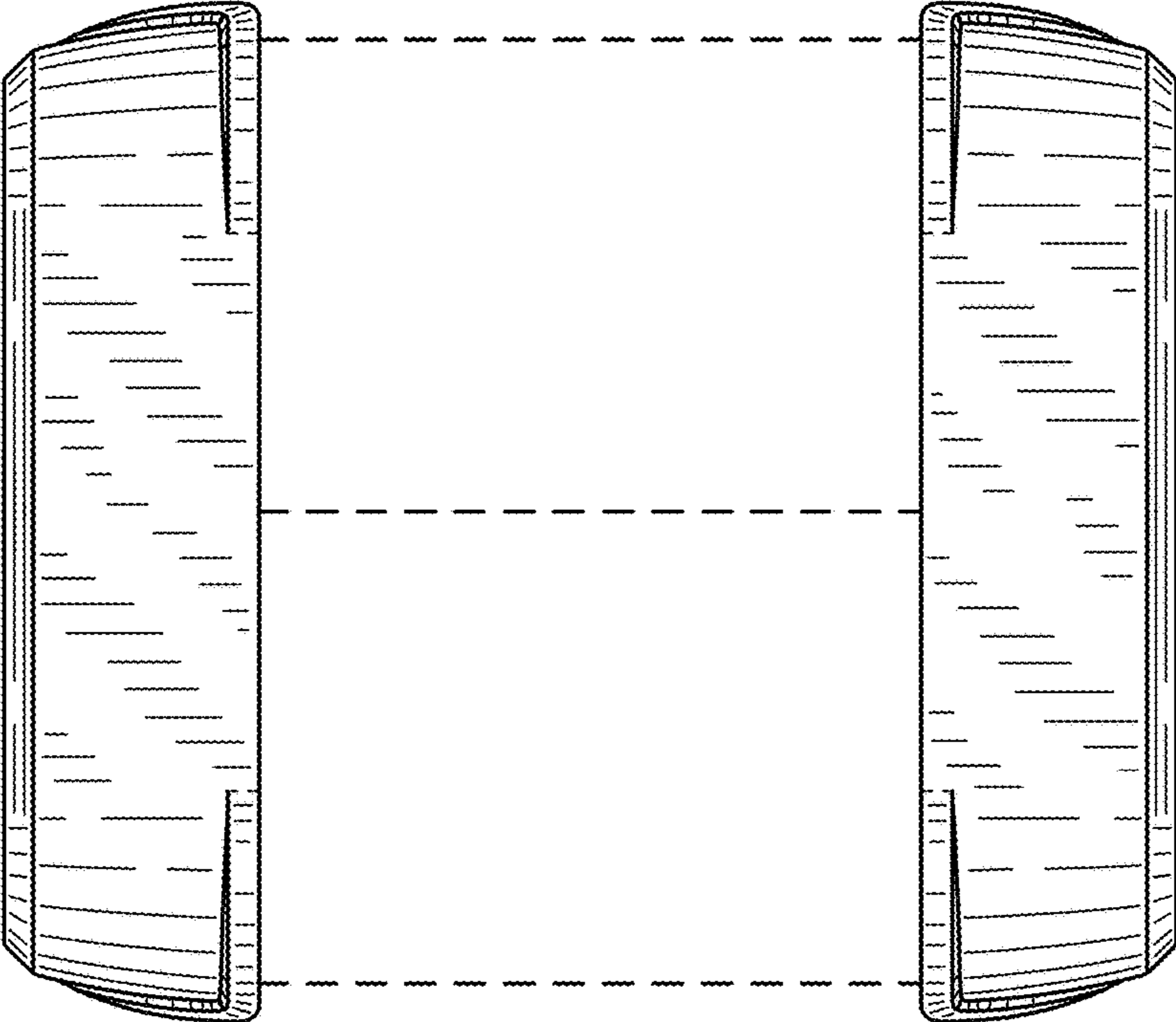


FIG. 5

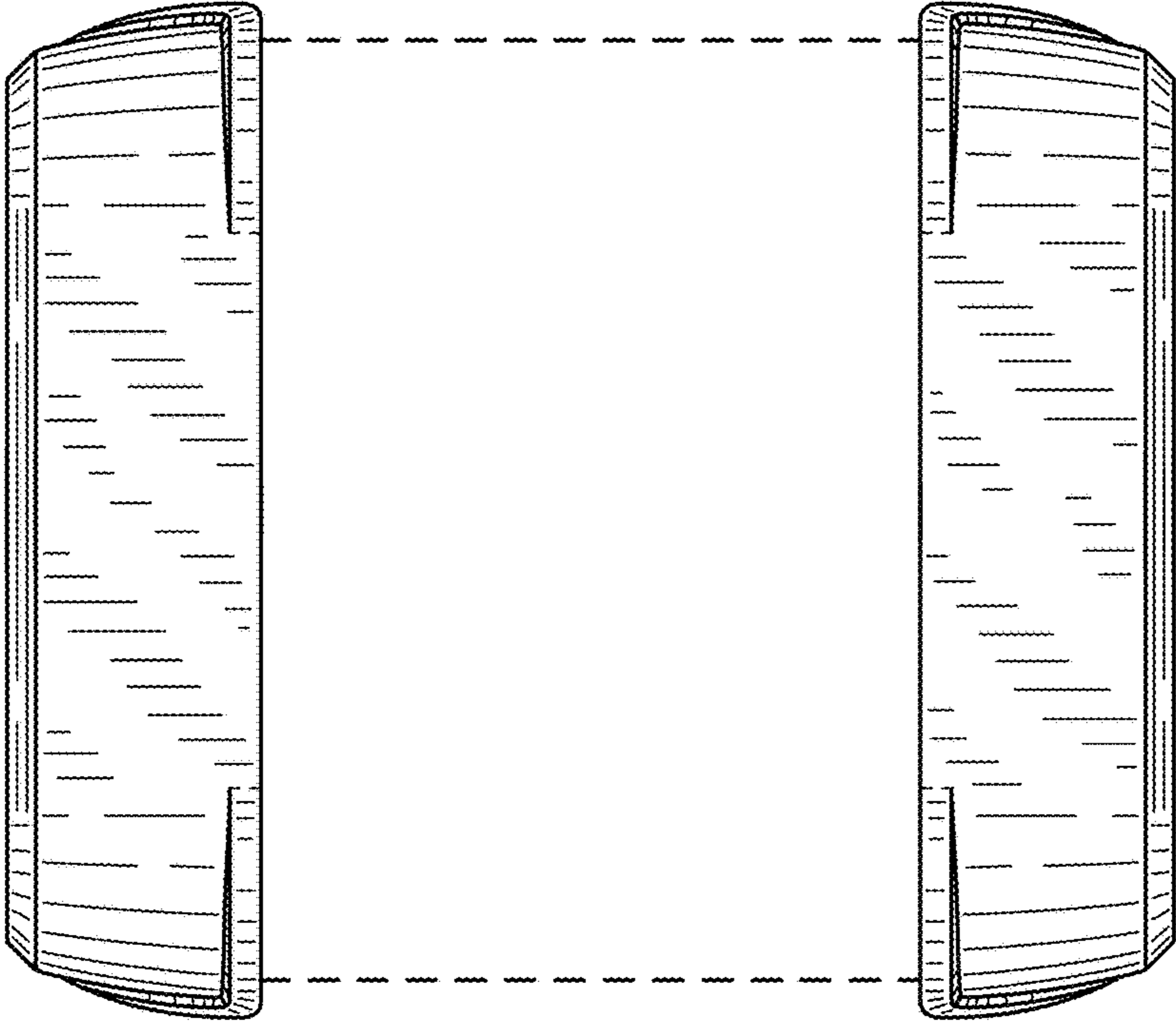


FIG. 6

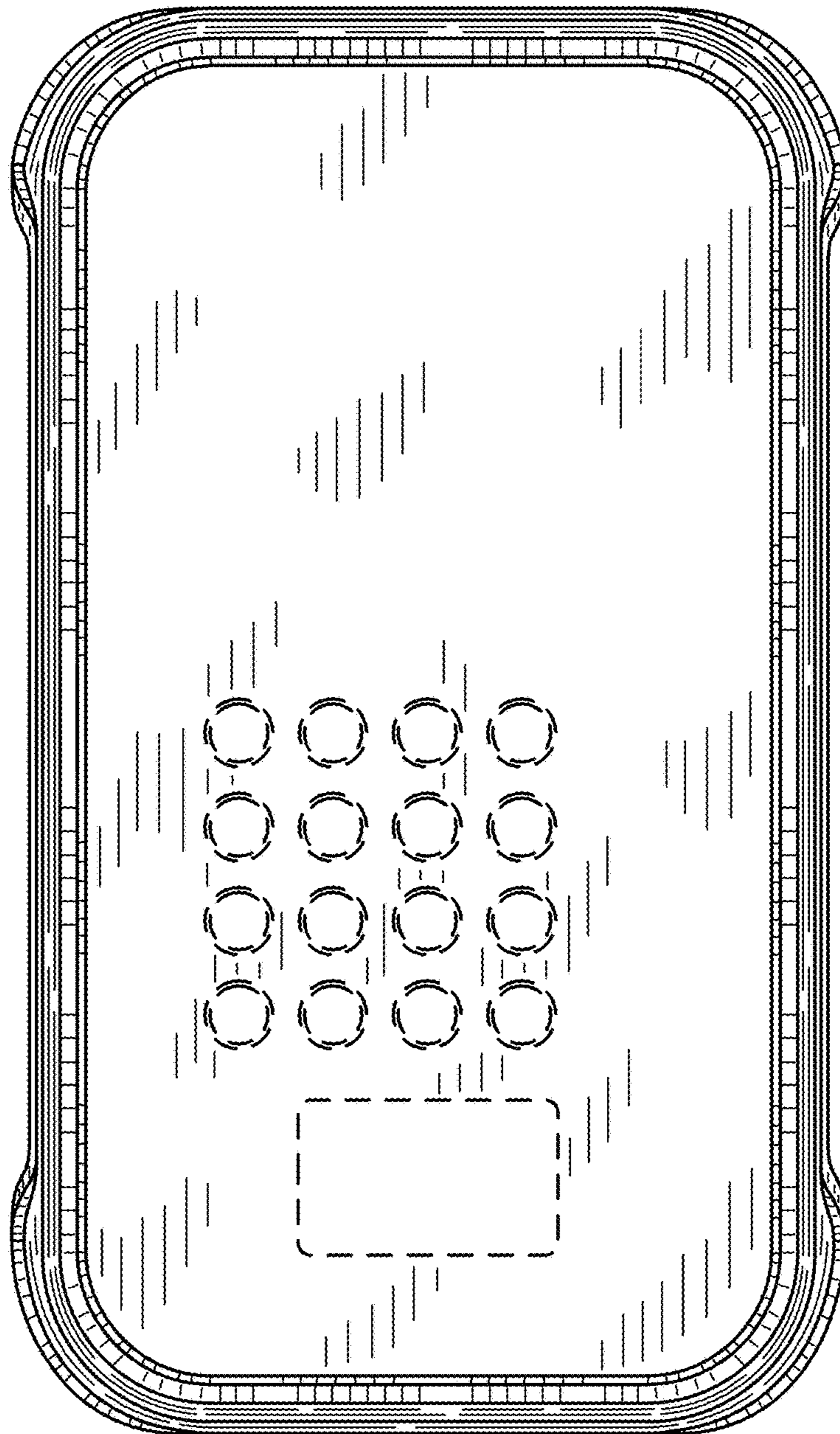


FIG. 7



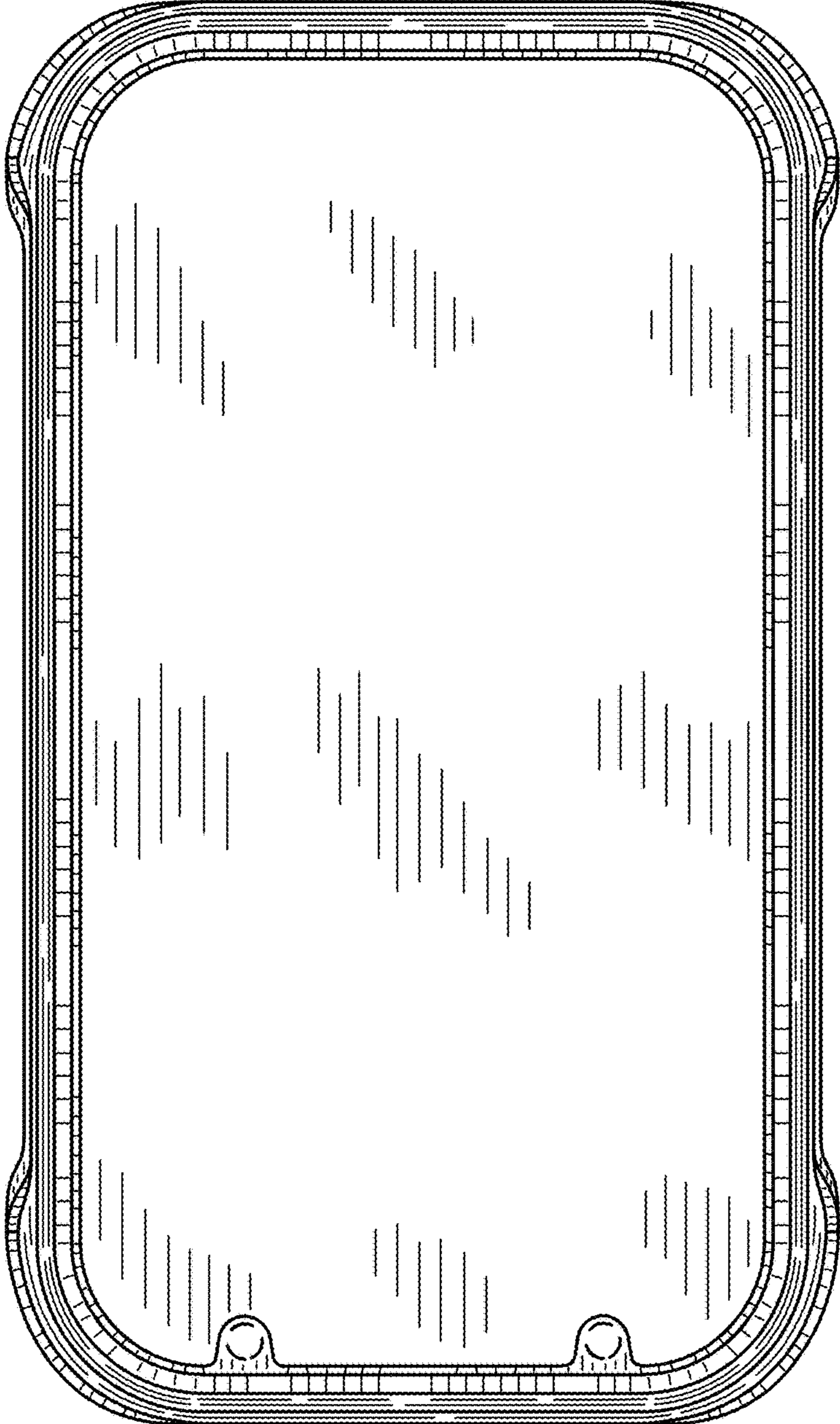


FIG. 8

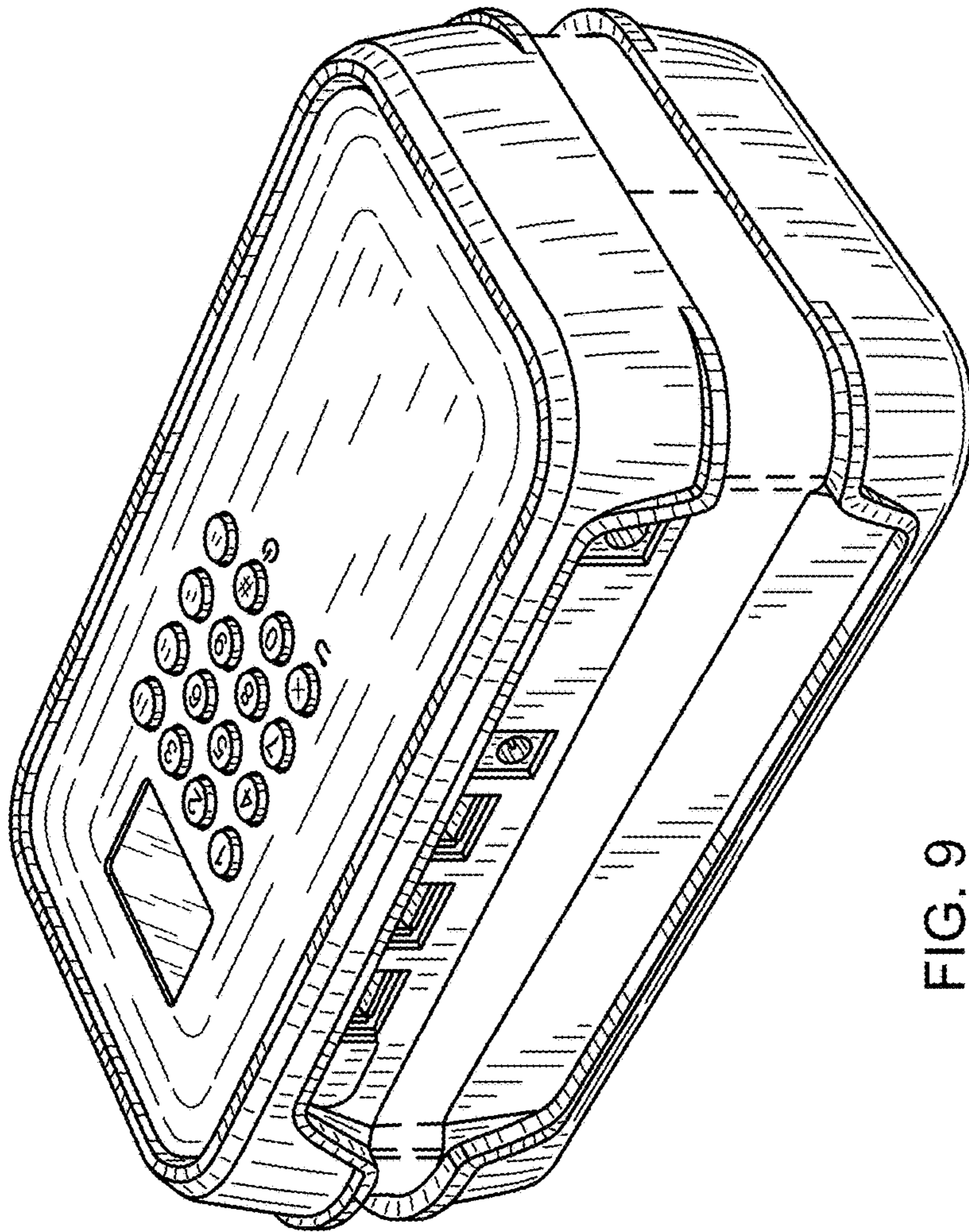


FIG. 9

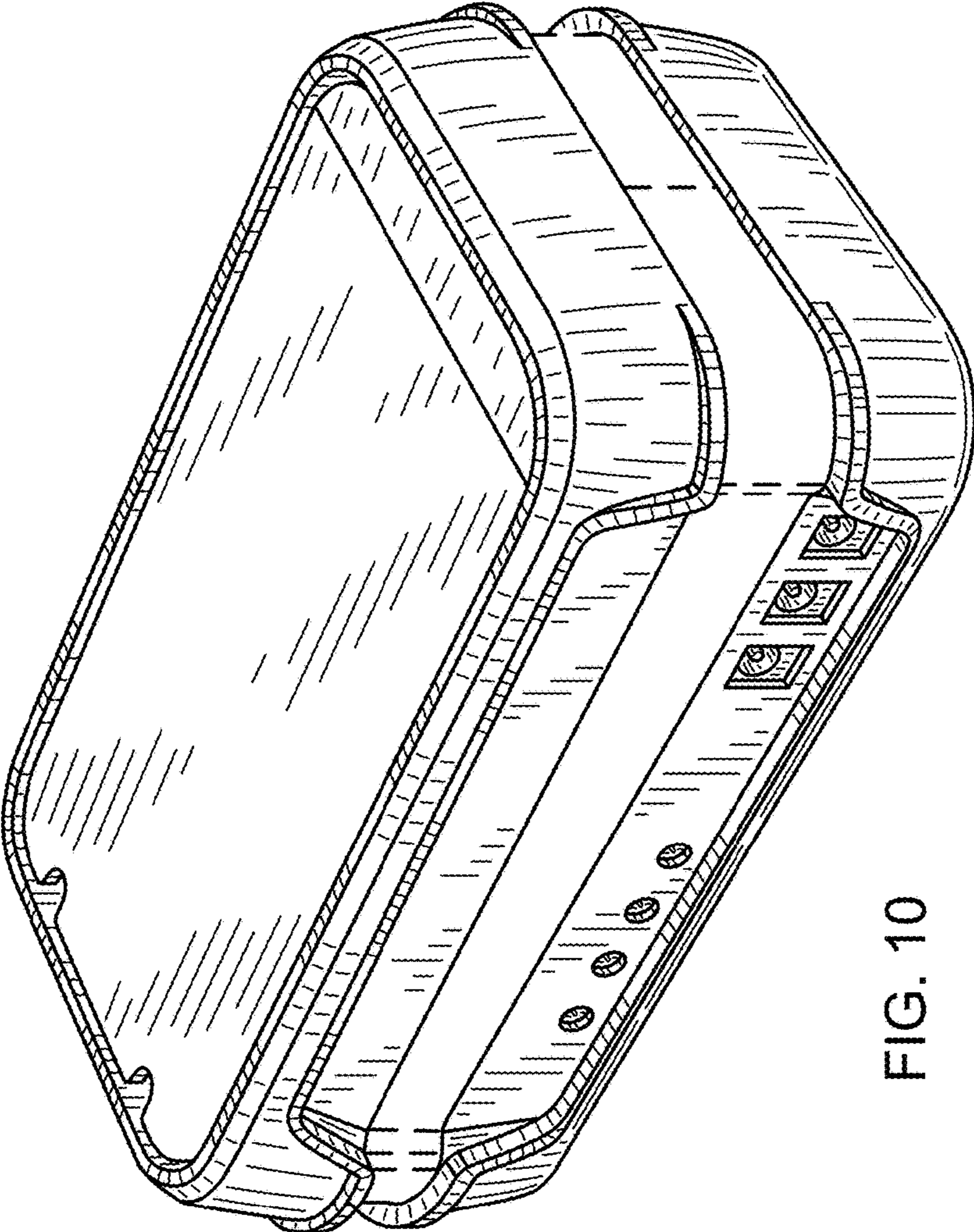


FIG. 10

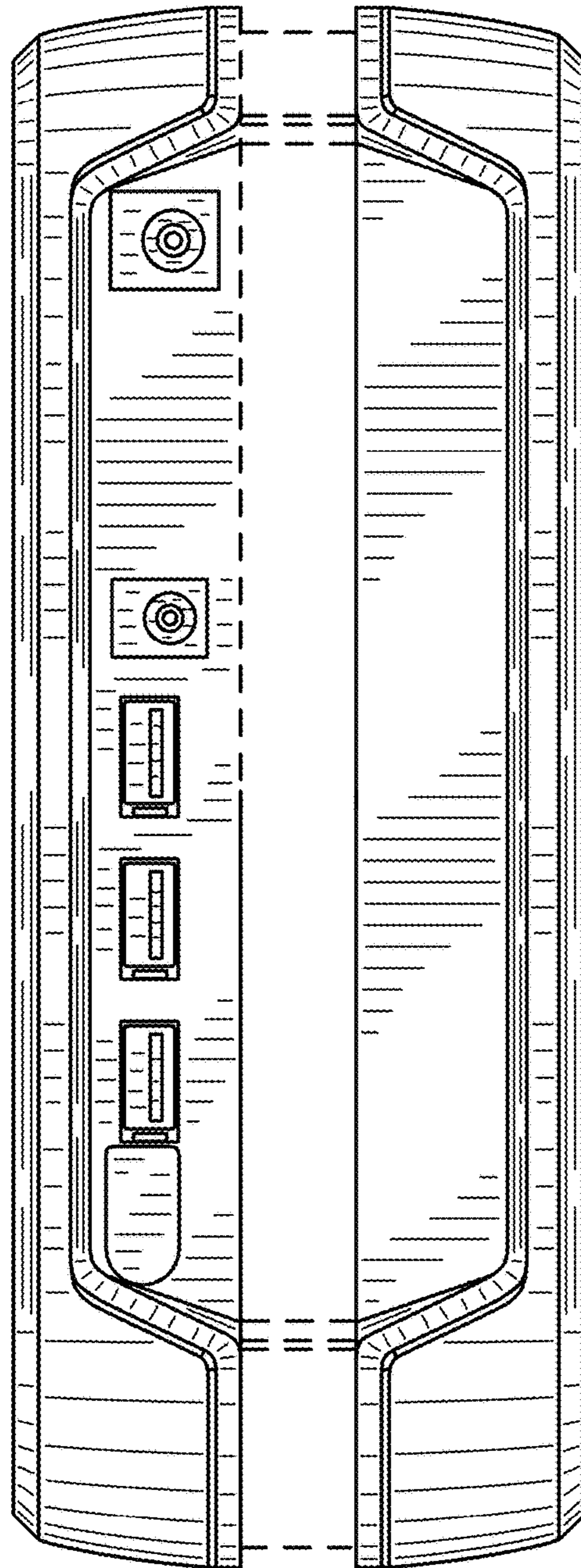


FIG. 11

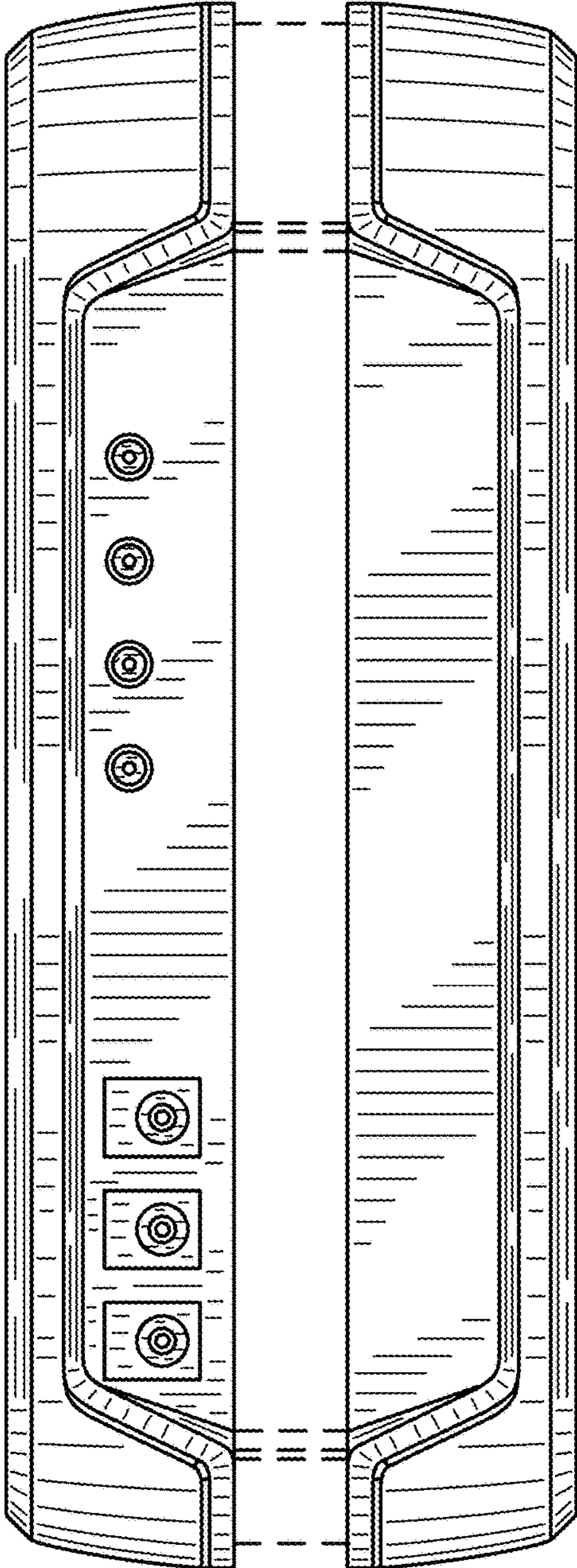


FIG. 12

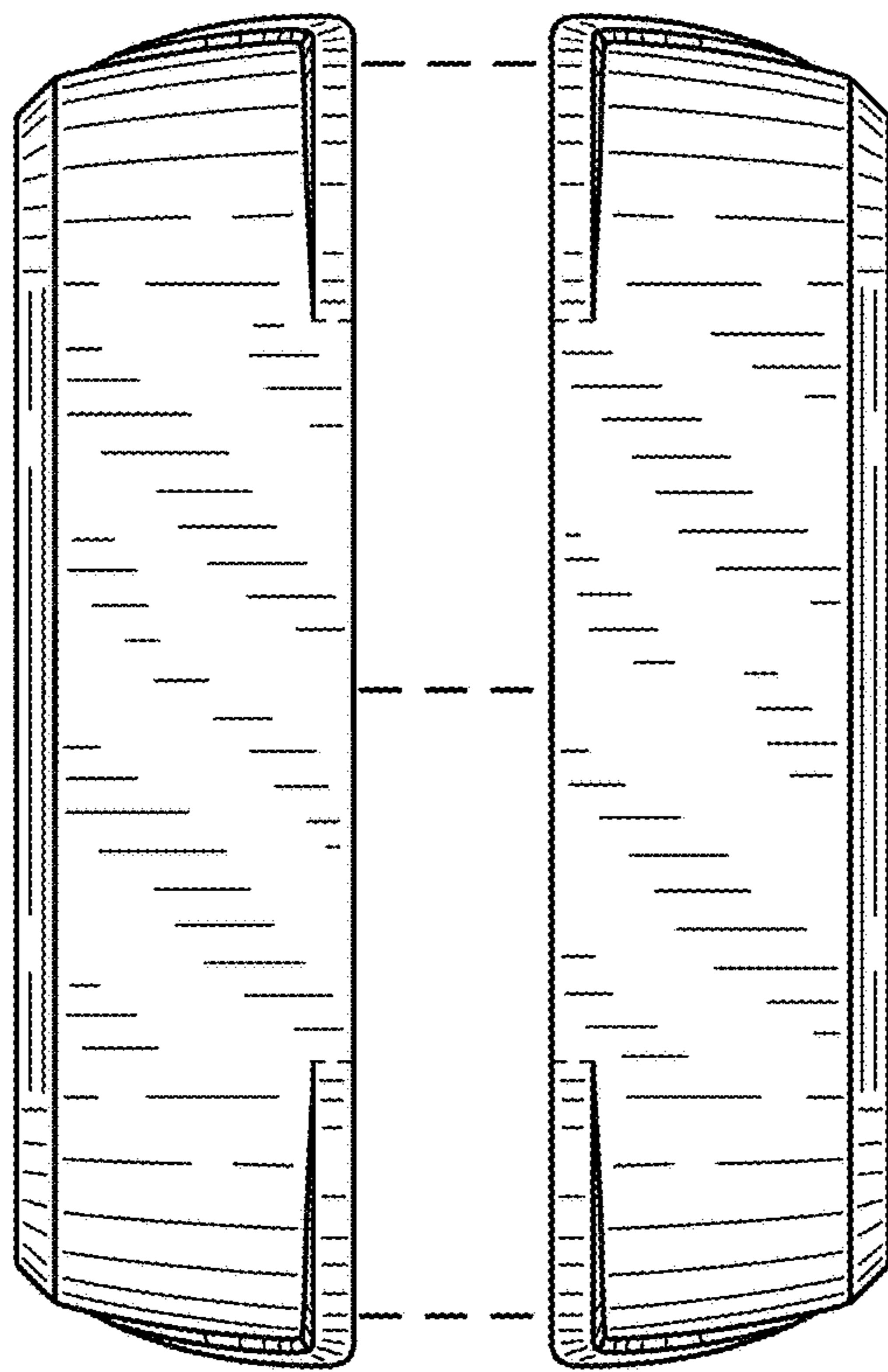


FIG. 13

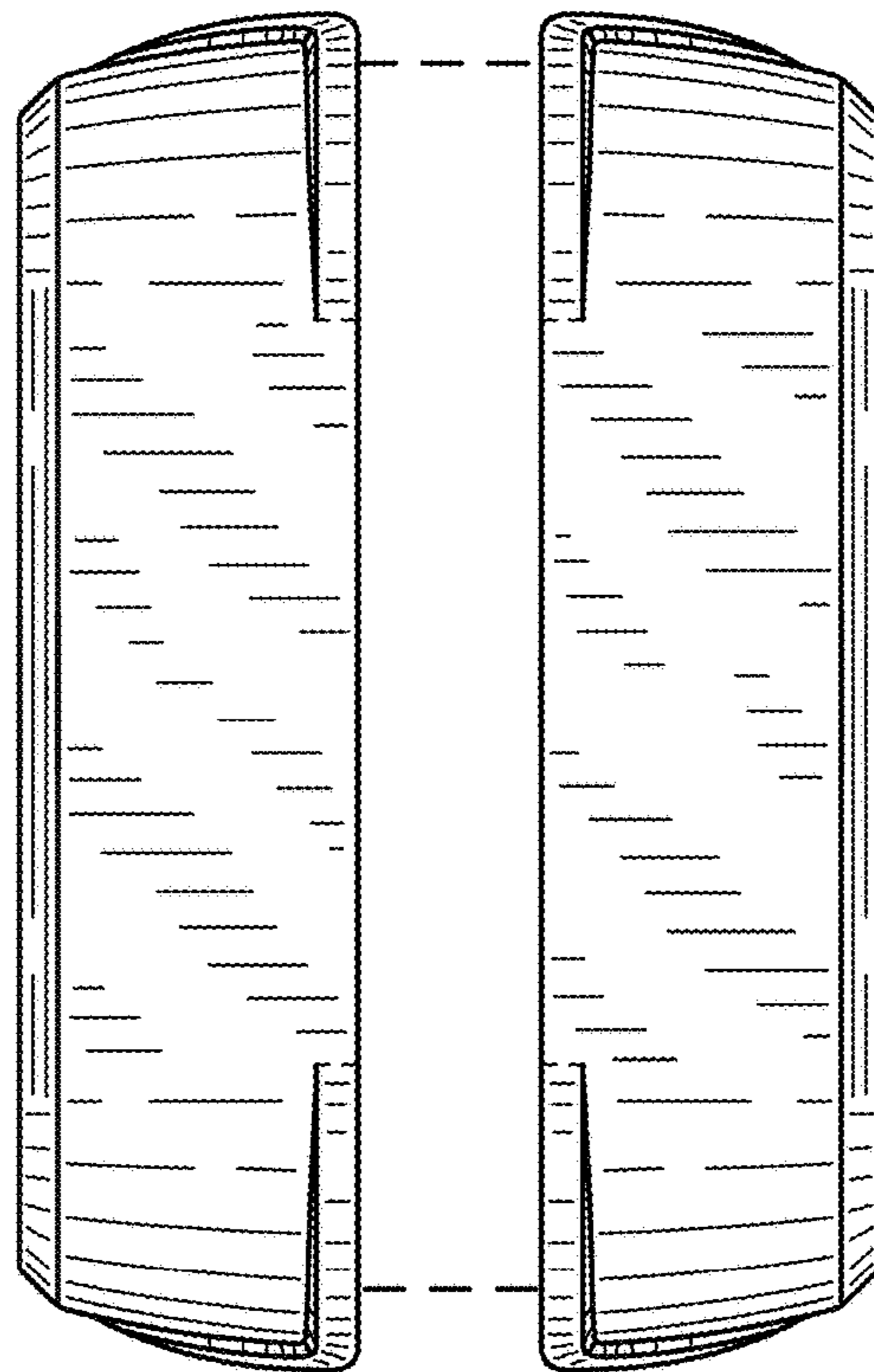


FIG. 14

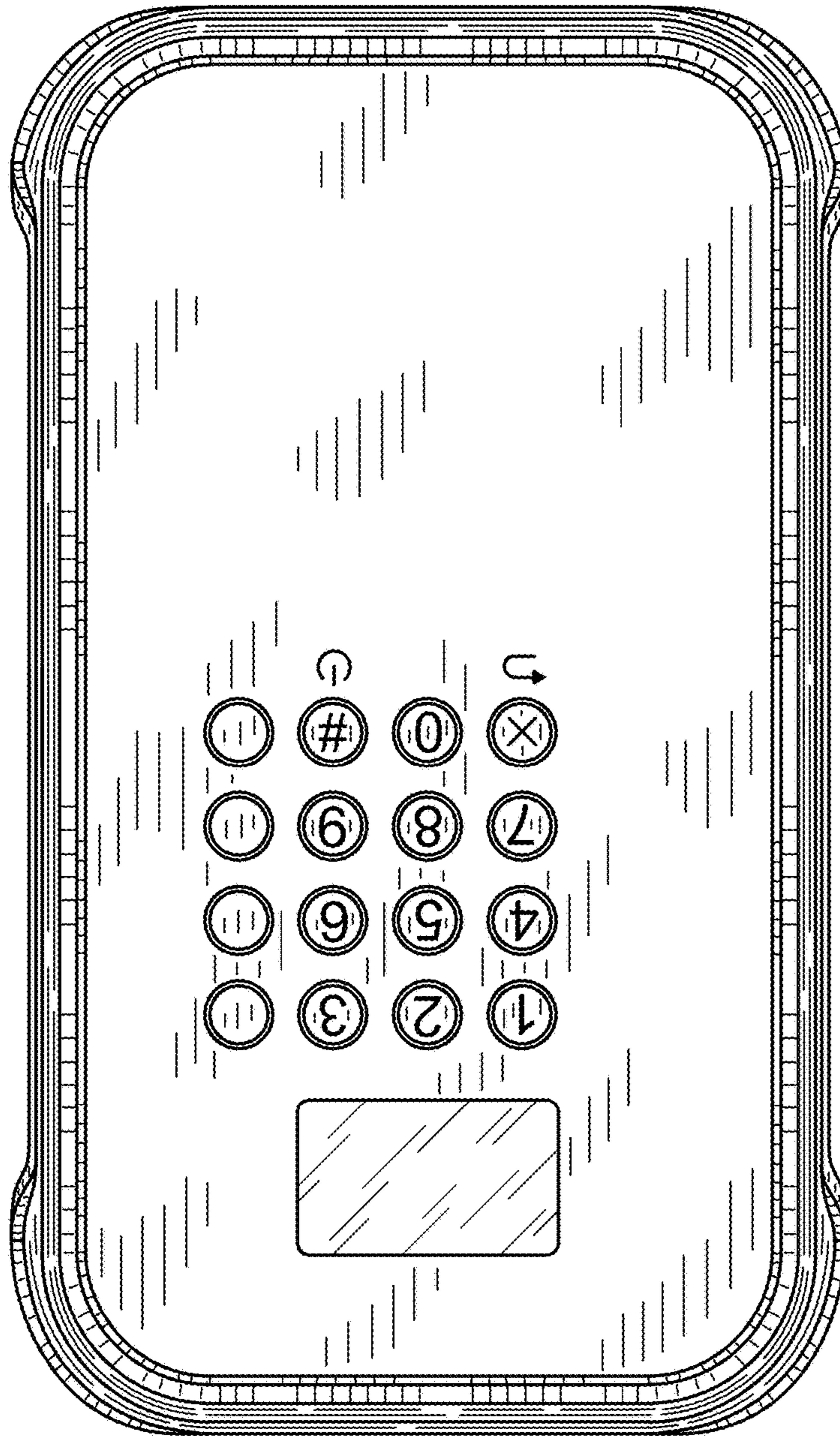


FIG. 15



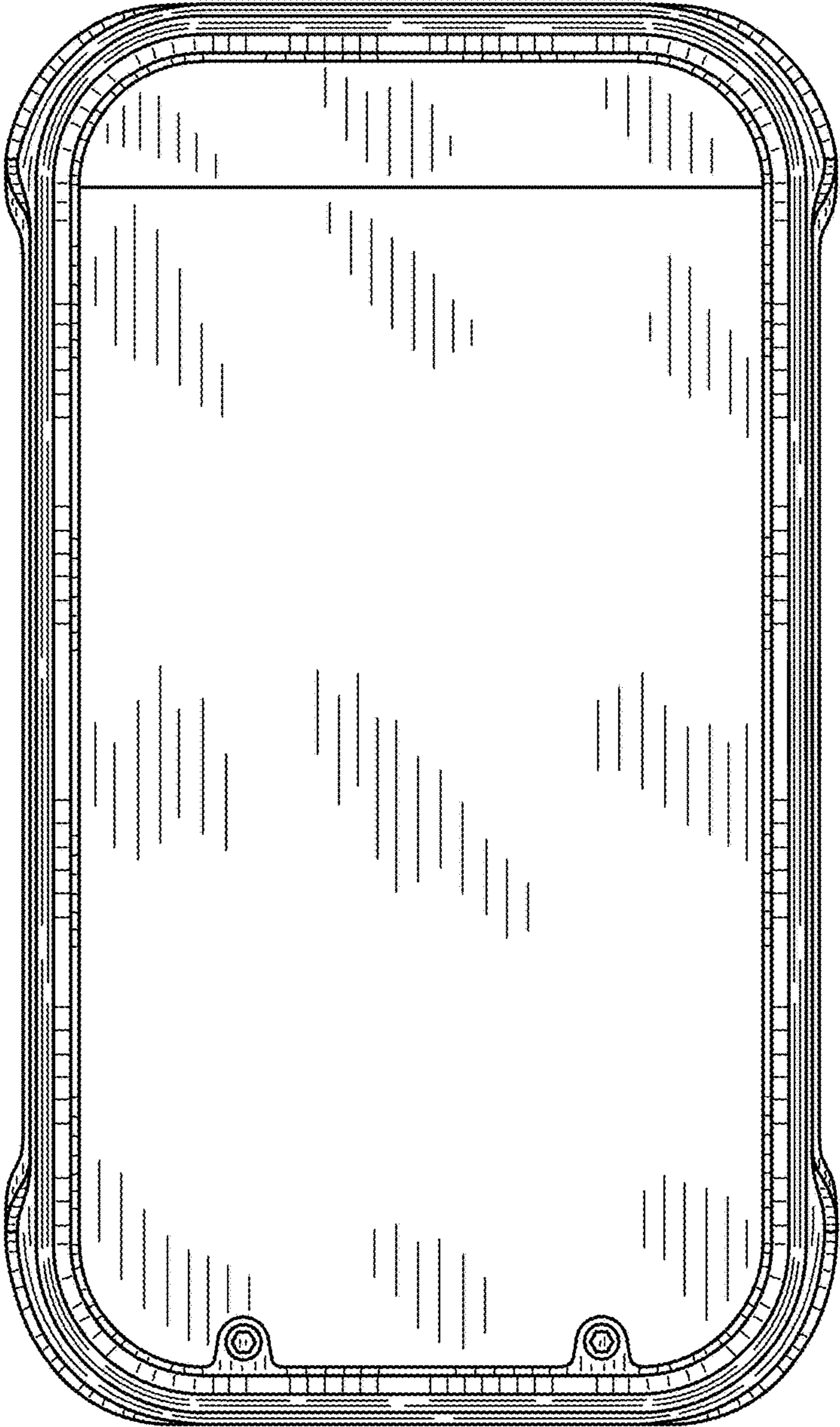


FIG. 16

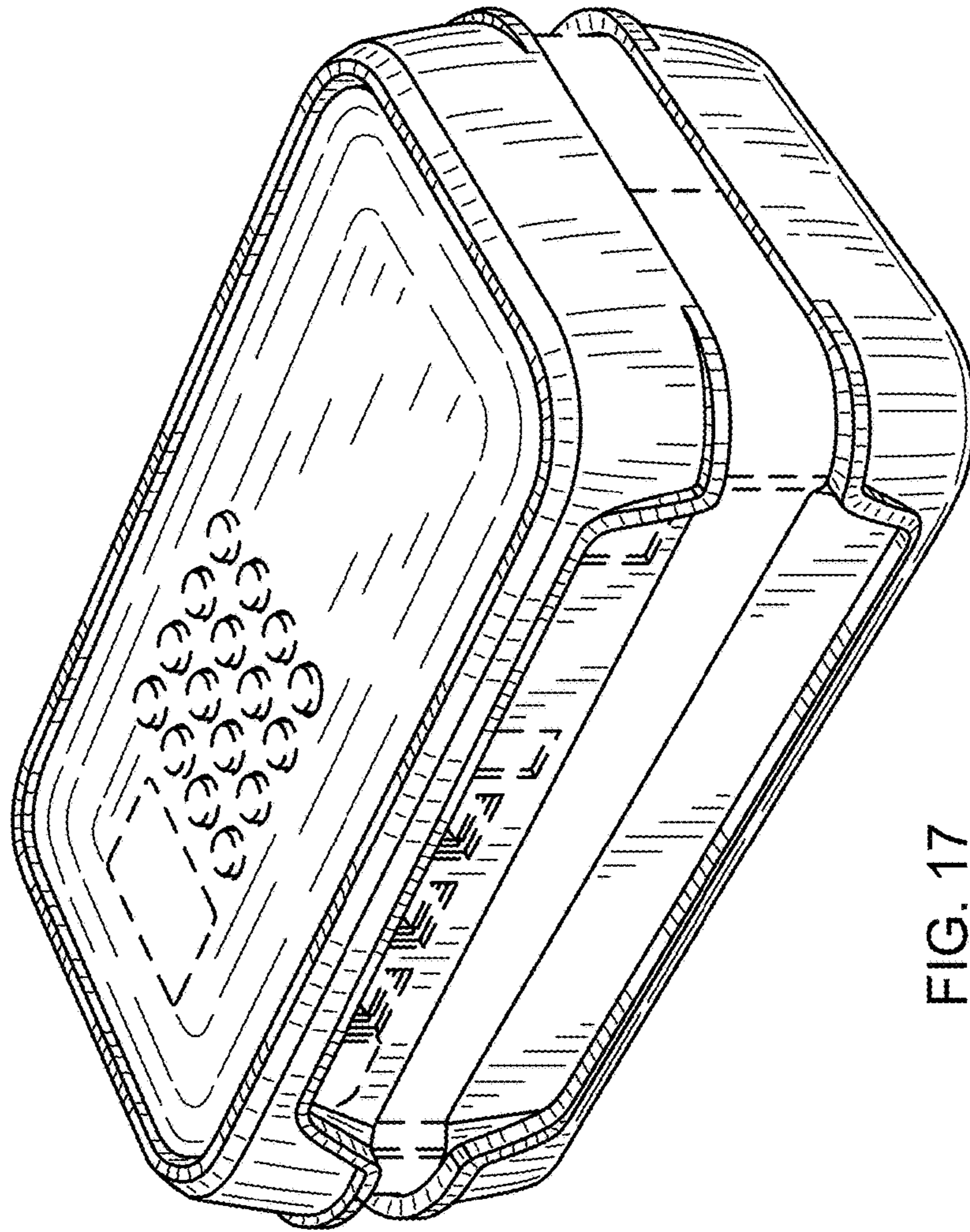


FIG. 17

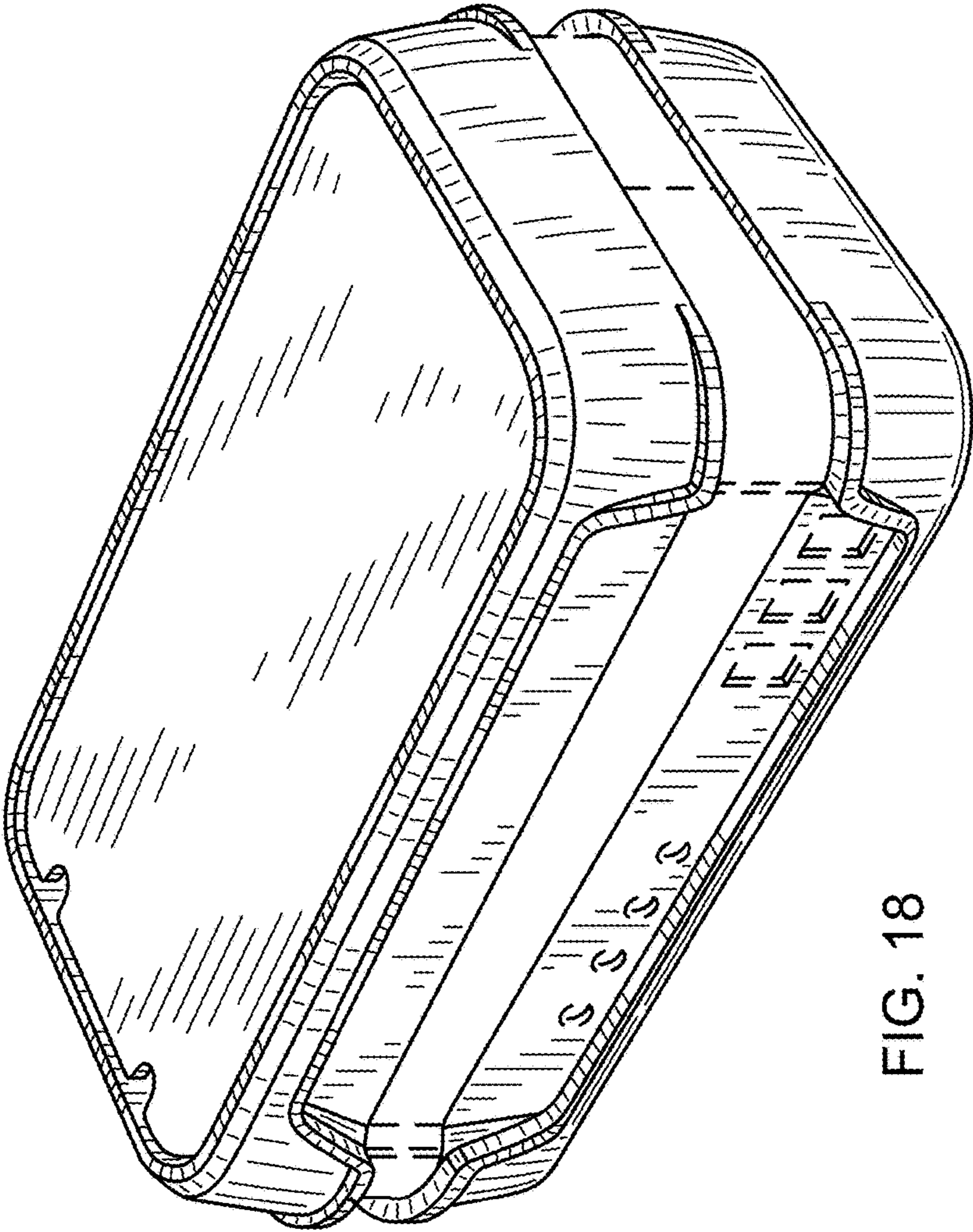


FIG. 18

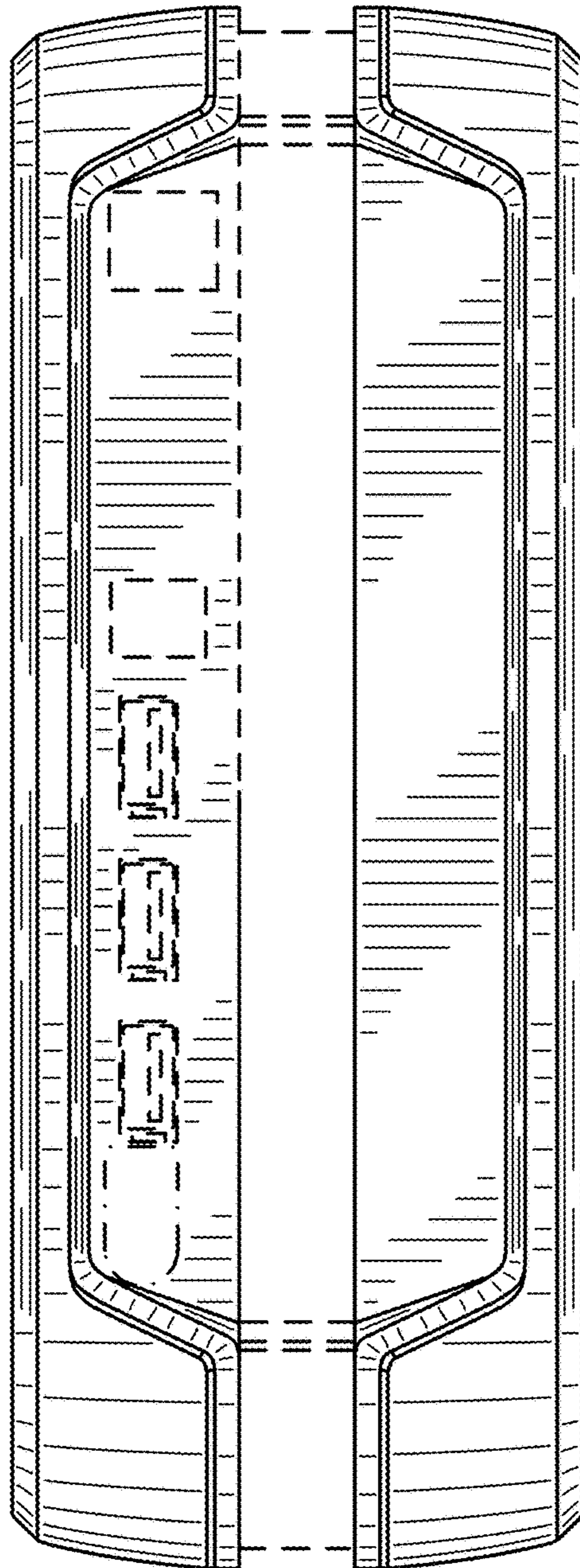


FIG. 19

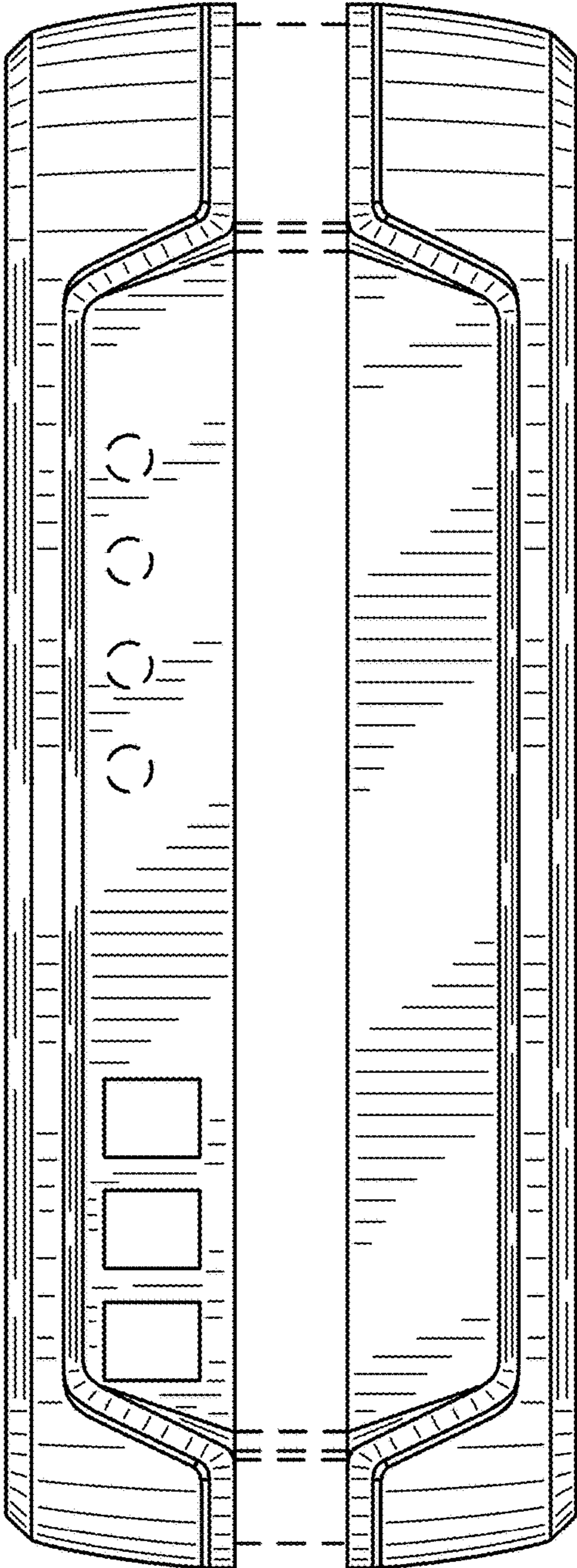


FIG. 20

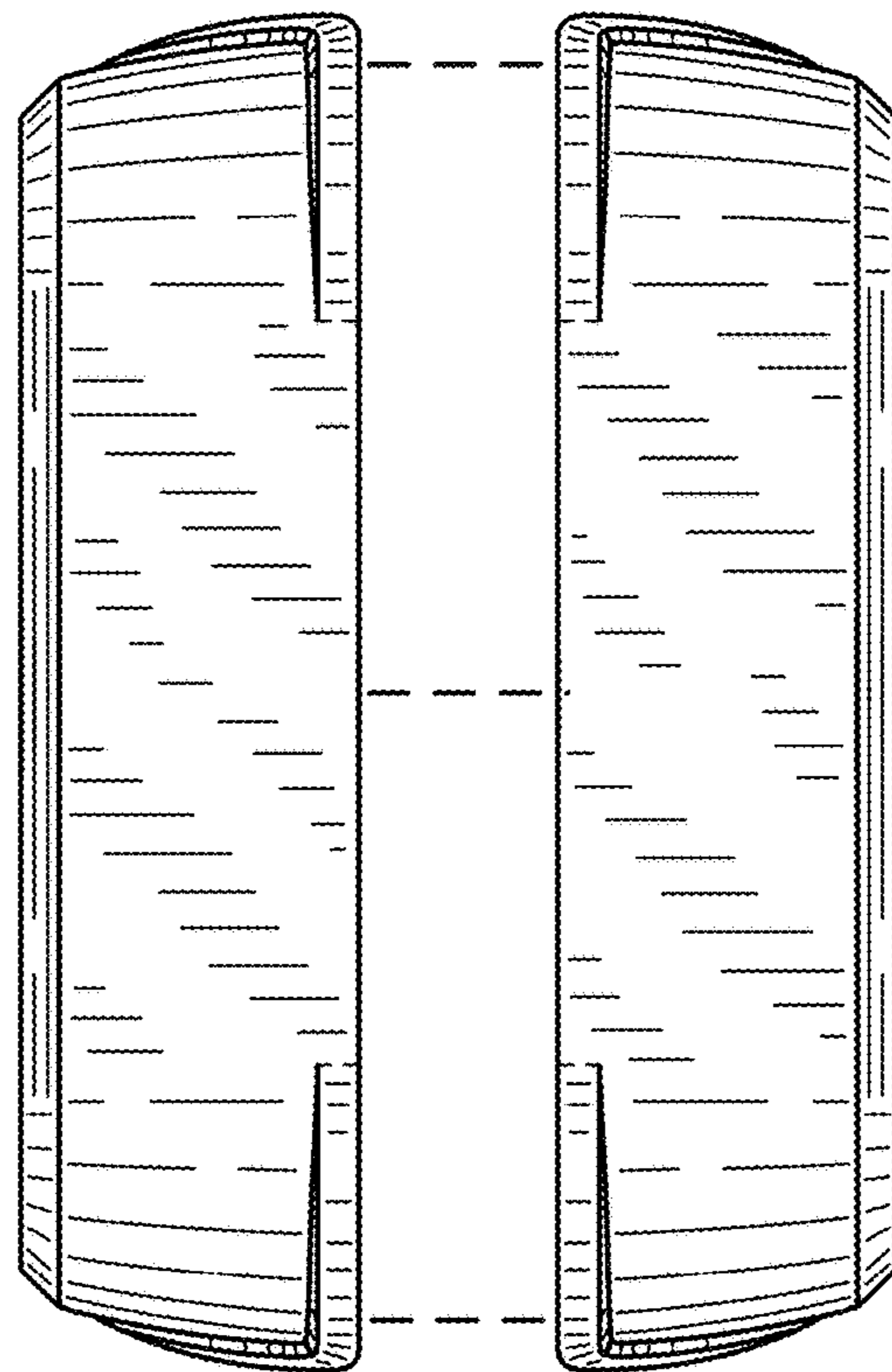


FIG. 21

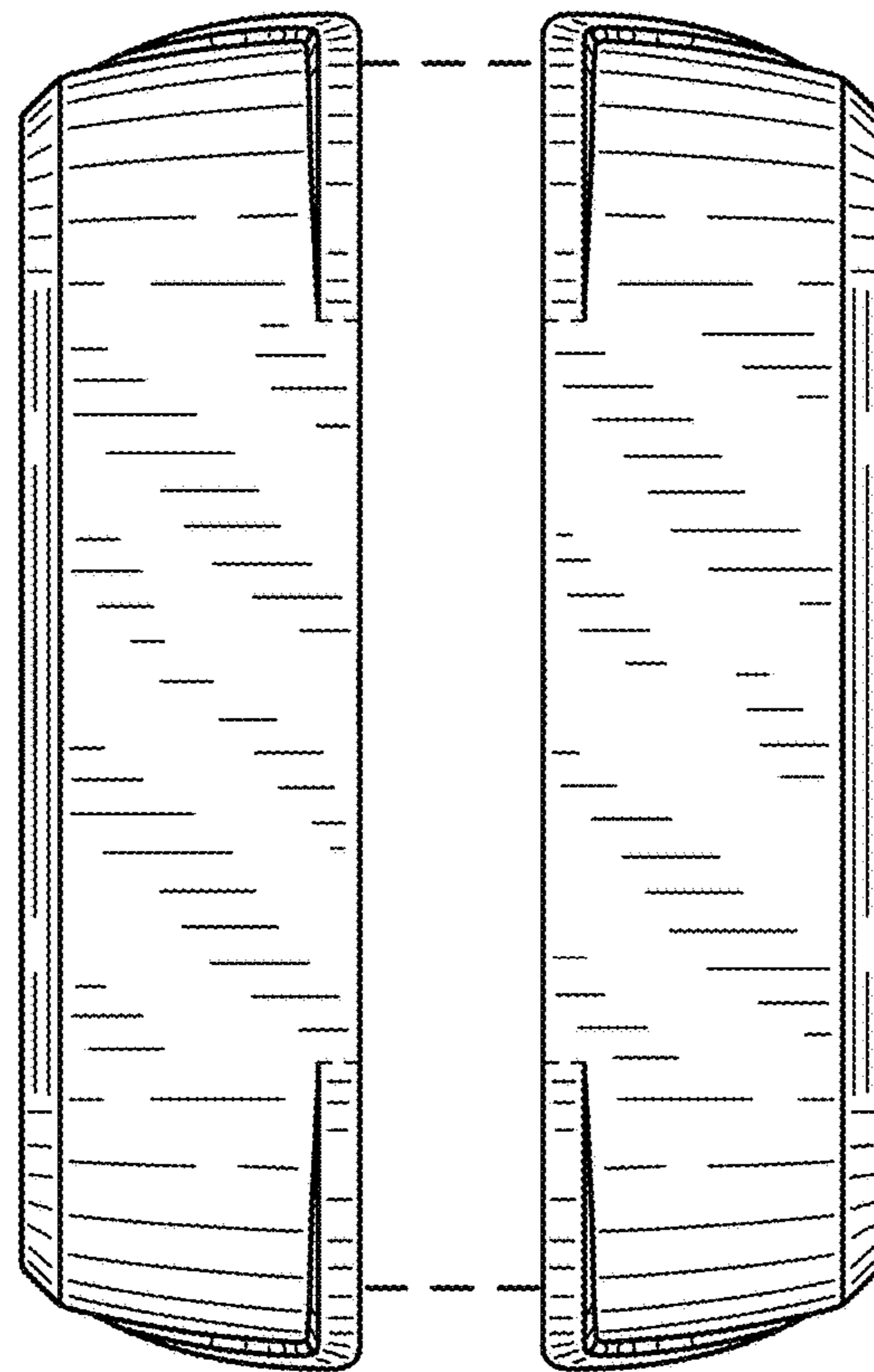


FIG. 22

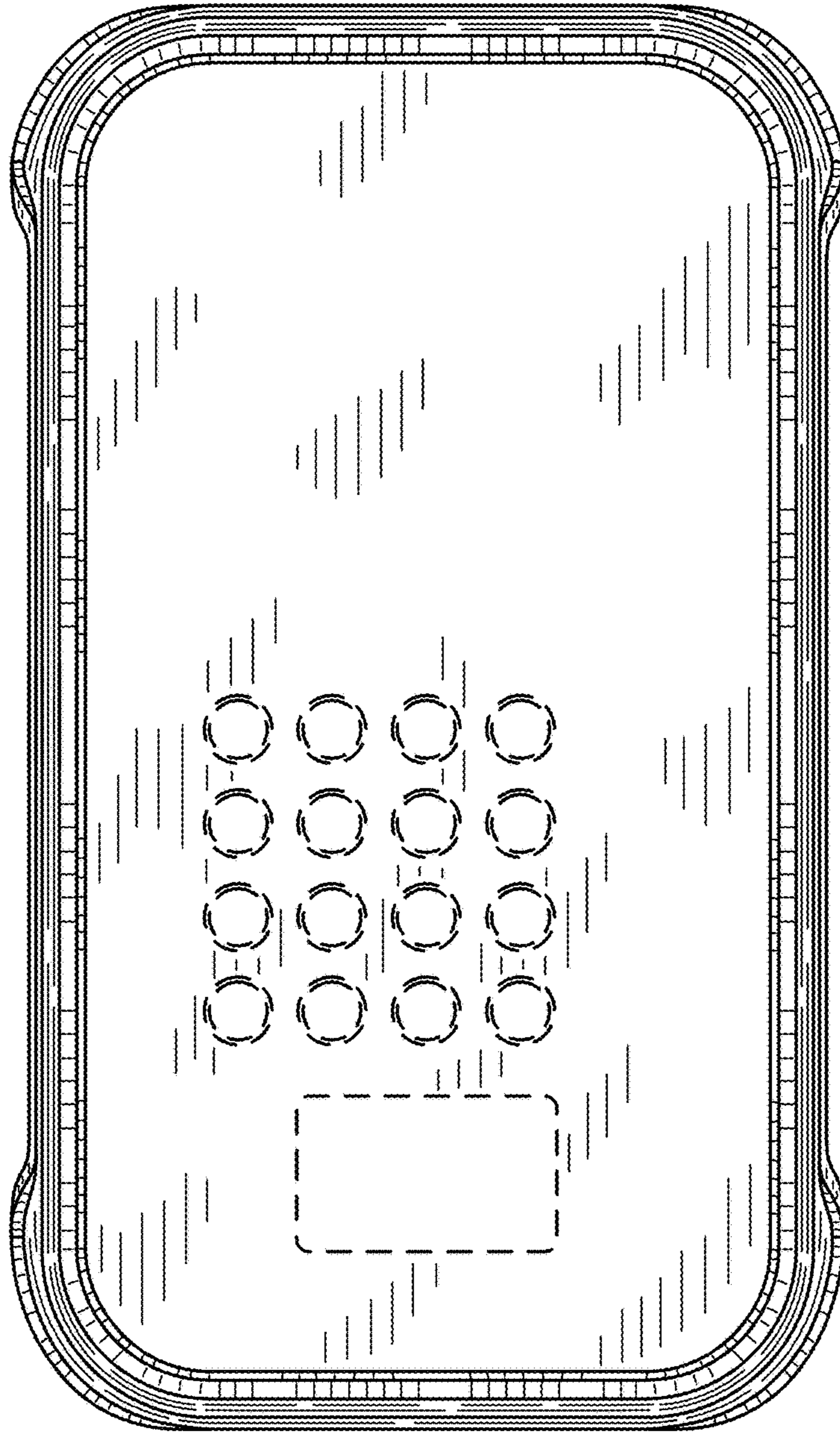


FIG. 23



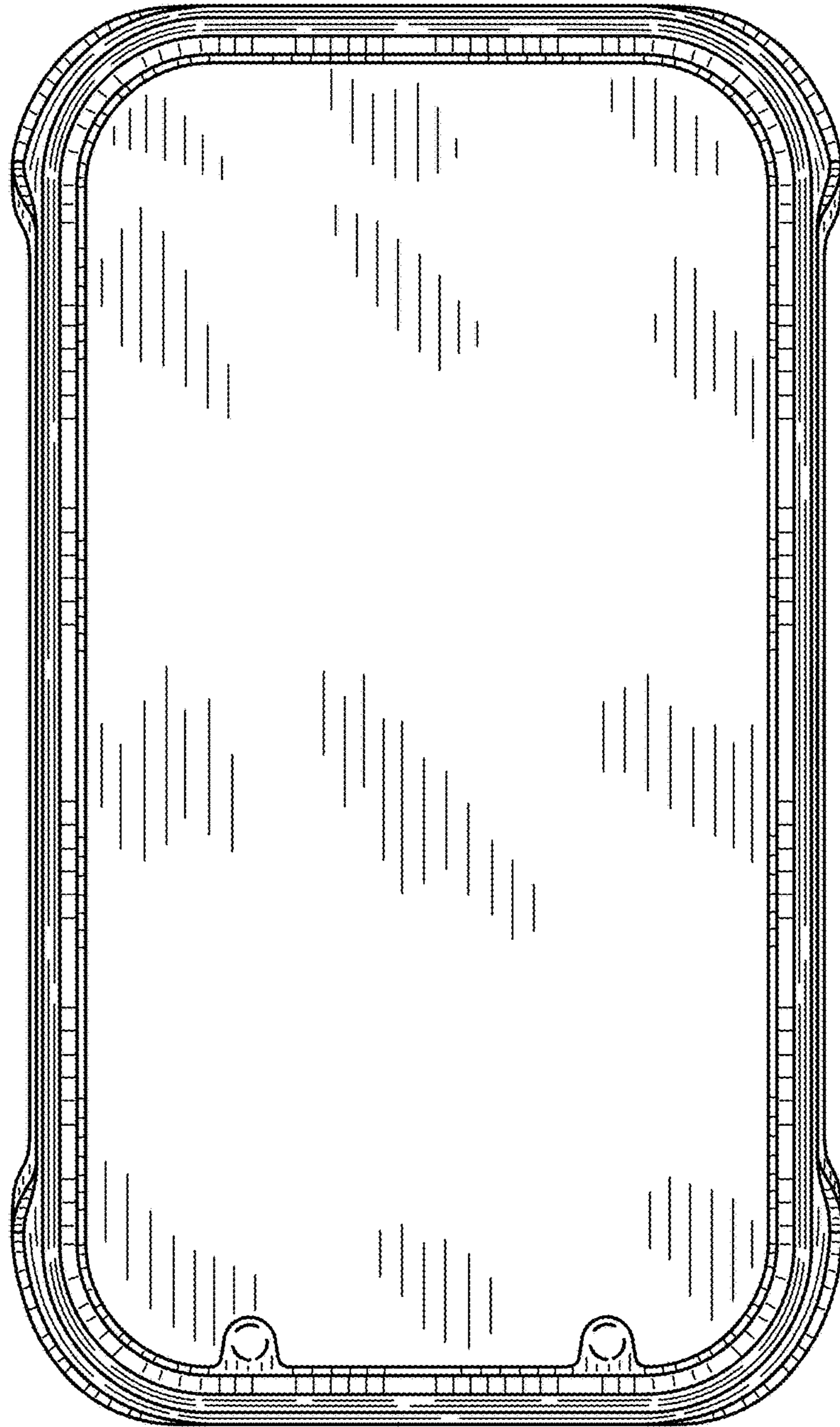


FIG. 24