



US00D867281S

(12) **United States Design Patent**  
**Berry et al.**

(10) **Patent No.:** **US D867,281 S**

(45) **Date of Patent:** **\*\* Nov. 19, 2019**

(54) **ELECTRONIC DEVICE**

(71) Applicant: **Intel Corporation**, Santa Clara, CA  
(US)

(72) Inventors: **Stephen D. Berry**, Bastrop, TX (US);  
**David M. Collins**, Portland, OR (US);  
**Randall W. Martin**, Conroe, TX (US)

(73) Assignee: **Intel Corporation**, Santa Clara, CA  
(US)

(\*\*) Term: **15 Years**

(21) Appl. No.: **29/630,872**

(22) Filed: **Dec. 22, 2017**

(51) **LOC (12) Cl.** ..... **13-02**

(52) **U.S. Cl.**  
USPC ..... **D13/108**; D14/439

(58) **Field of Classification Search**  
USPC ..... D13/102, 107-110, 118-119, 184;  
D14/251, 253, 432, 434, 439  
CPC ..... B60L 11/182; H01M 10/44; H01M 10/46;  
H01M 10/425; H01M 2/1022; H01M  
2/1055; H02J 7/025; H02J 7/0042; H02J  
7/0044; Y02T 90/14; Y02T 90/122; Y02T  
90/128; Y02T 90/163; H01R 13/6675  
See application file for complete search history.

(56) **References Cited**

U.S. PATENT DOCUMENTS

D479,191 S \* 9/2003 Peress ..... D13/102  
D620,431 S \* 7/2010 Sasada ..... D13/102  
D628,148 S \* 11/2010 English ..... D13/102  
D705,219 S \* 5/2014 Martin ..... D14/315

D729,163 S \* 5/2015 Meyer ..... D13/107  
D793,958 S \* 8/2017 Rautiainen ..... D13/108  
D808,902 S \* 1/2018 Qiu ..... D13/108  
D814,411 S \* 4/2018 Lahiri ..... D13/108  
D824,381 S \* 7/2018 Collins ..... D14/315  
D837,146 S \* 1/2019 Kong ..... D13/108  
D851,646 S \* 6/2019 Huebner ..... D14/434

\* cited by examiner

*Primary Examiner* — Austin Murphy

(74) *Attorney, Agent, or Firm* — Schwegman Lundberg &  
Woessner, P.A.

(57) **CLAIM**

The ornamental design for an electronic device, as shown  
and described.

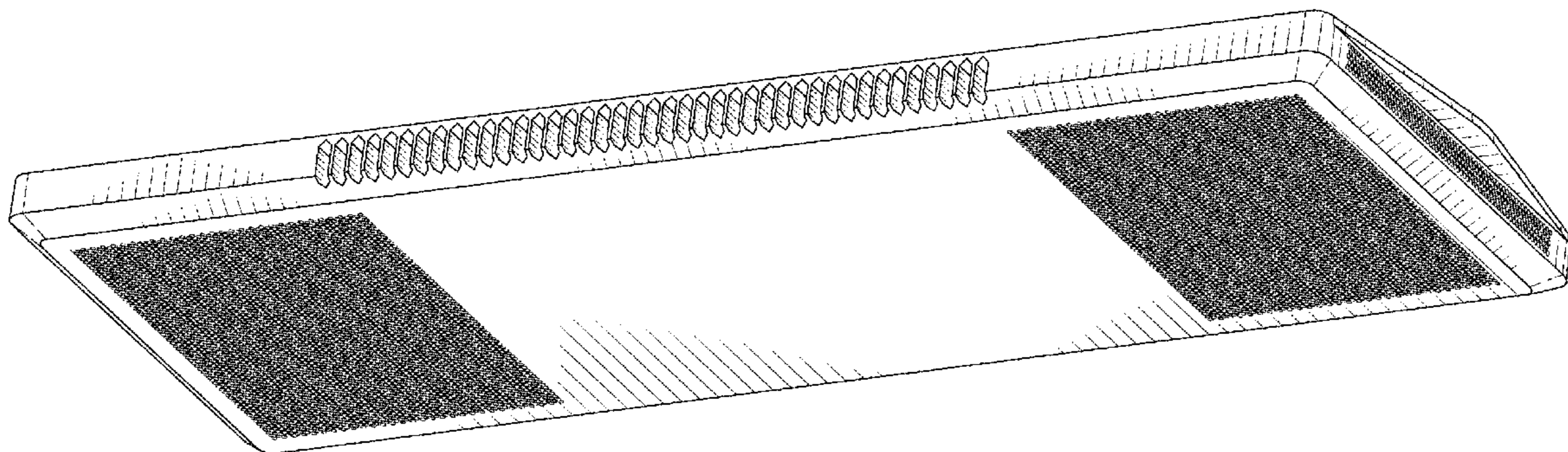
**DESCRIPTION**

FIG. 1 is a front view of an electronic device (e.g., an  
electronic module), showing our new design.  
FIG. 2 is a rear view thereof.  
FIG. 3 is a left side view thereof.  
FIG. 4 is a right side view thereof.  
FIG. 5 is a top view thereof.  
FIG. 6 is a bottom view thereof.  
FIG. 7 is a top-front-right perspective view thereof.  
FIG. 8 is a bottom-front-left perspective view thereof.  
FIG. 9 is a bottom-rear-right perspective view thereof; and,  
FIG. 10 is a top-rear-left perspective view thereof.

The broken line showings of internal edges within the  
hexagonal holes are for the purpose of illustrating environ-  
mental structure or unclaimed portions of the electronic  
device, and the broken lines form no part of the claimed  
design.

The shade lines show surface contour and not surface  
ornamentation.

**1 Claim, 6 Drawing Sheets**



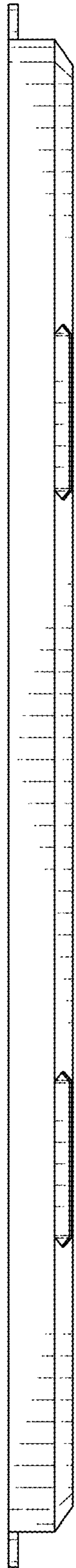


FIG. 1

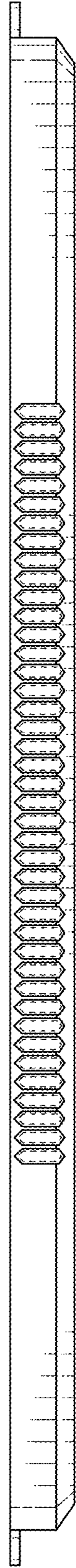


FIG. 2

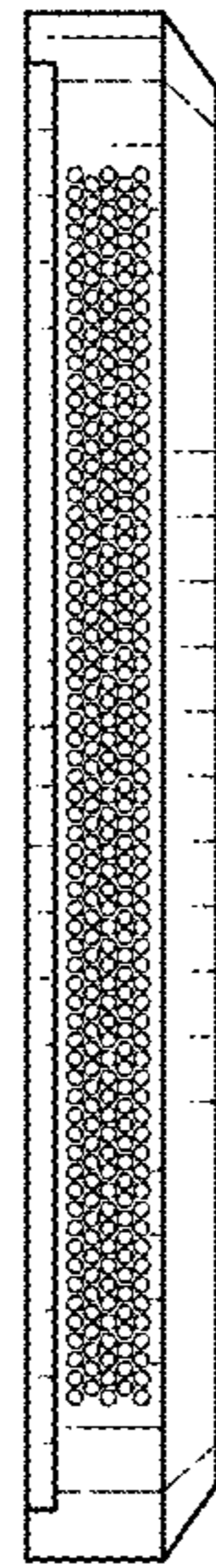


FIG. 3

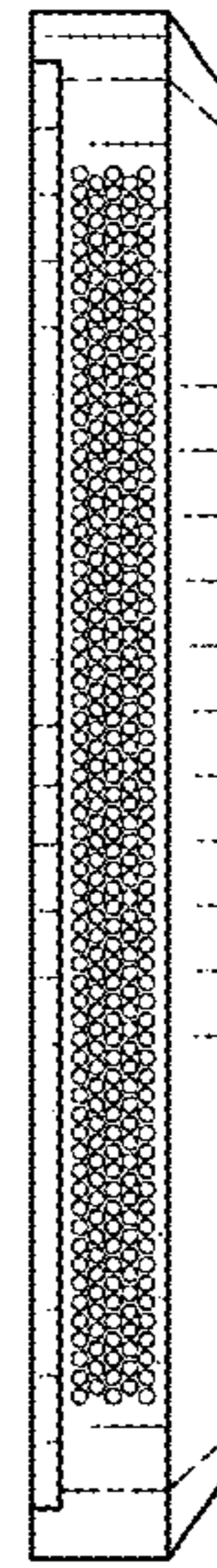


FIG. 4



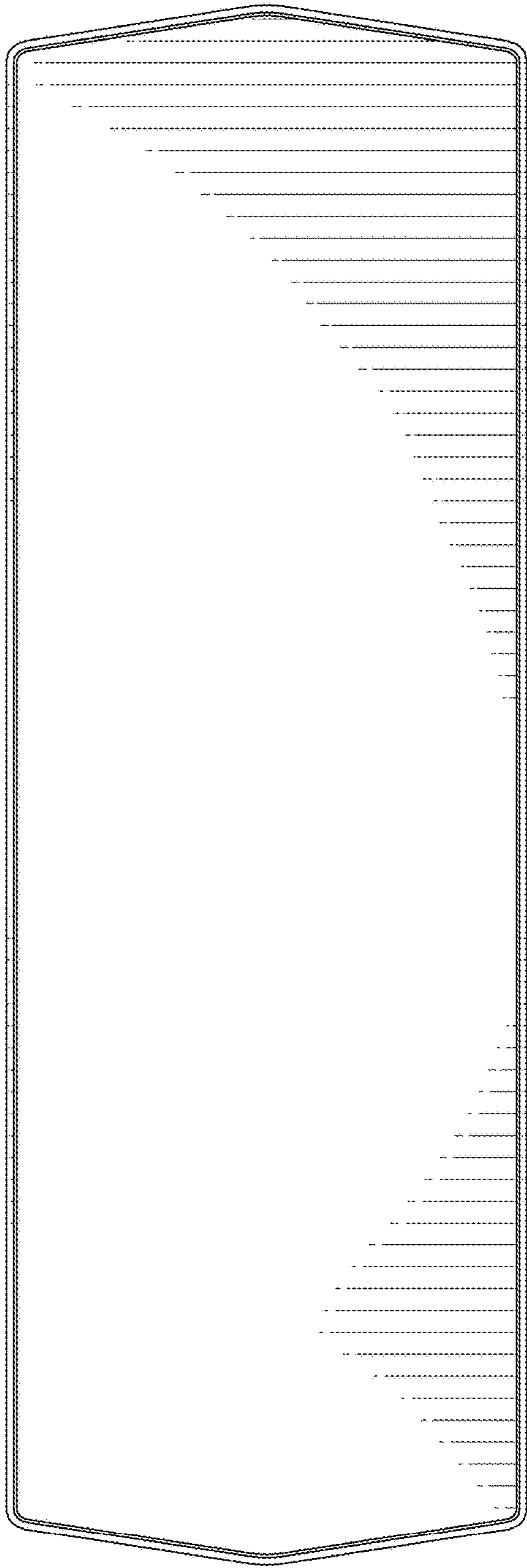


FIG. 5

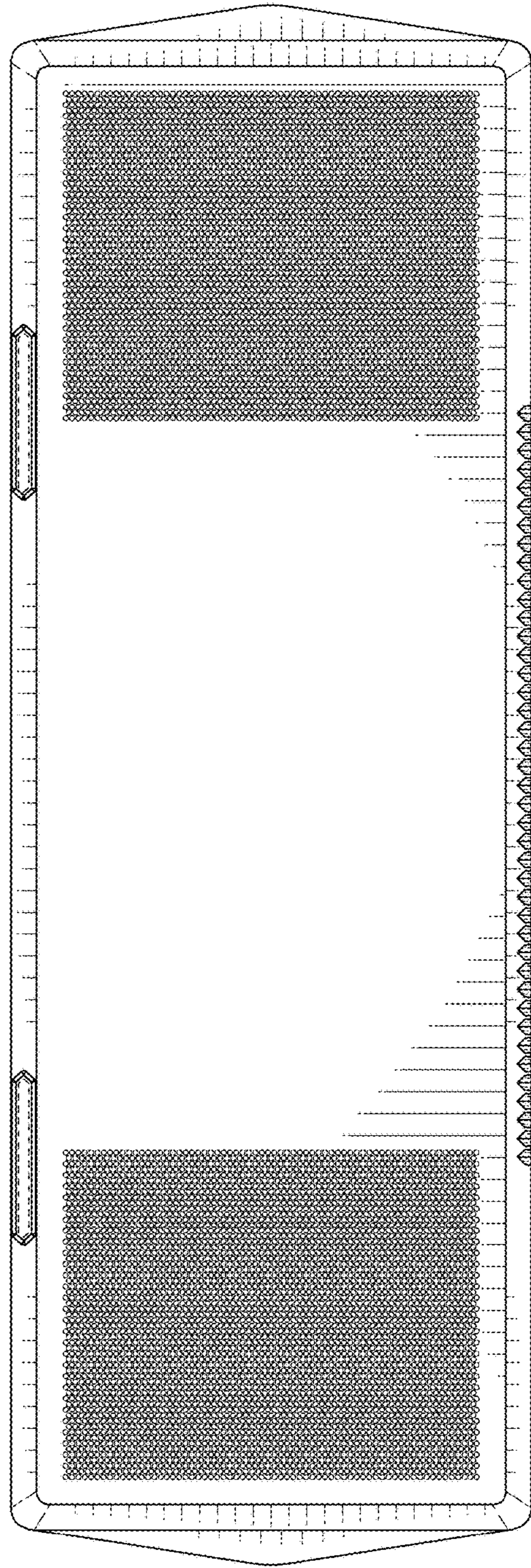


FIG. 6

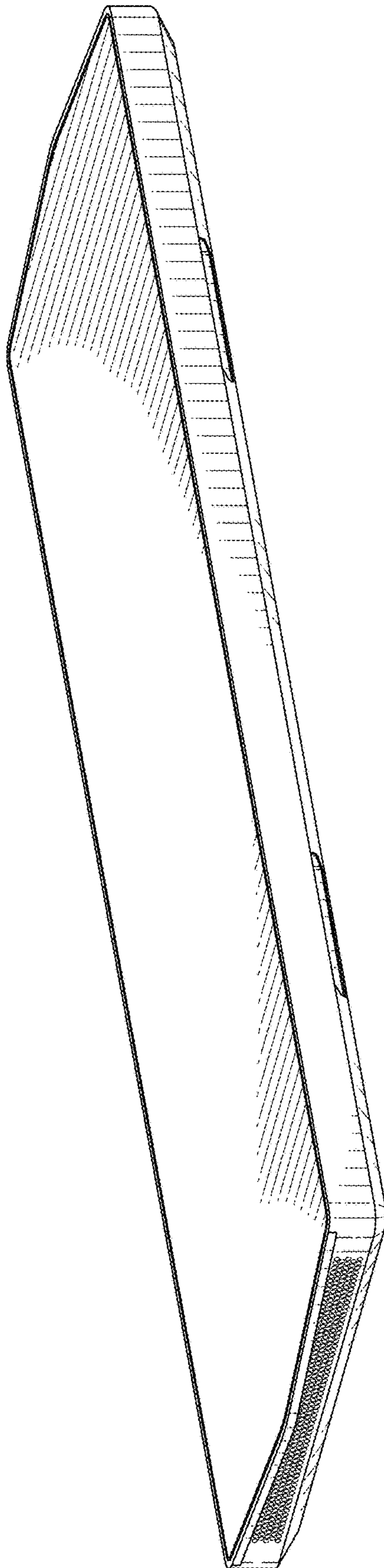


FIG. 7



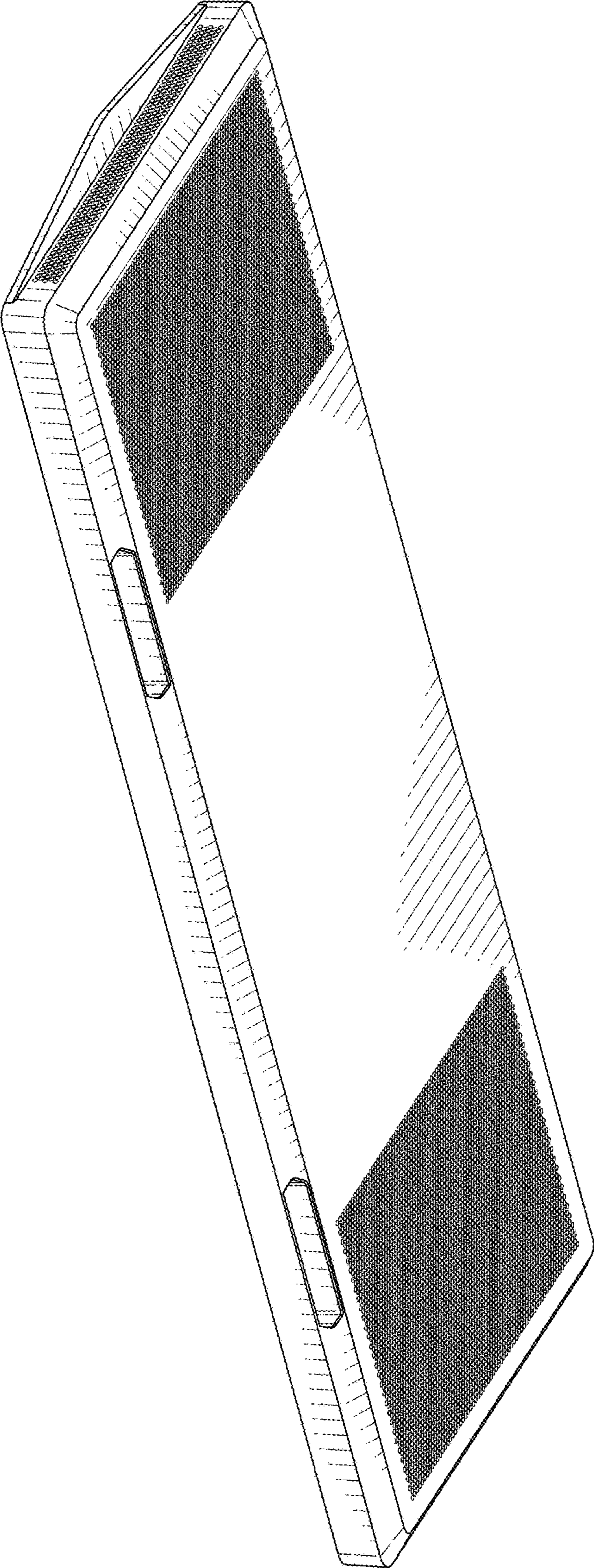


FIG. 8

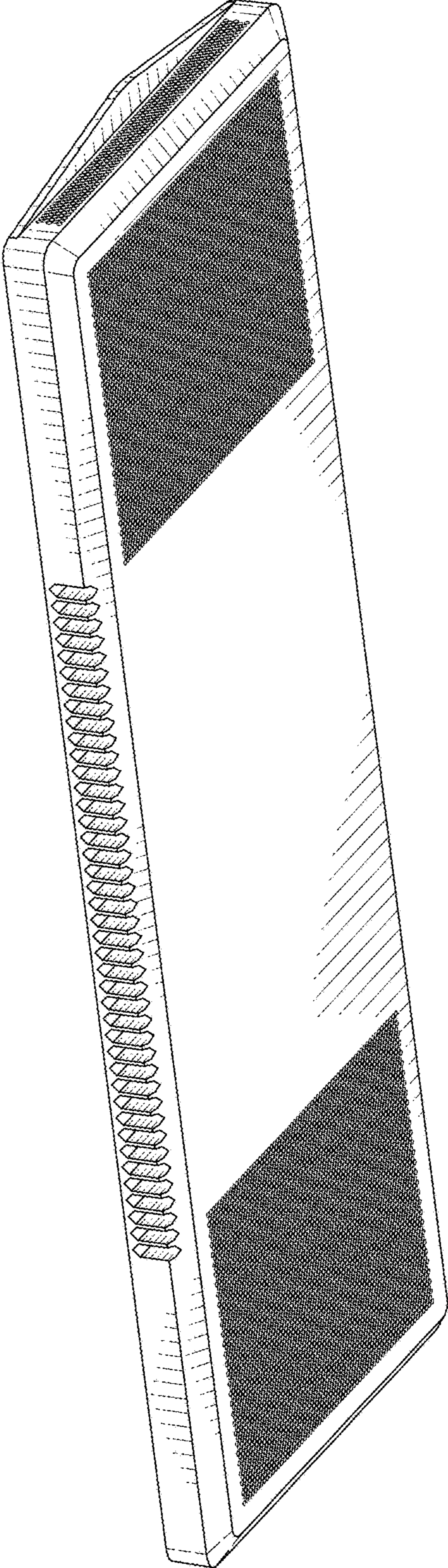


FIG. 9



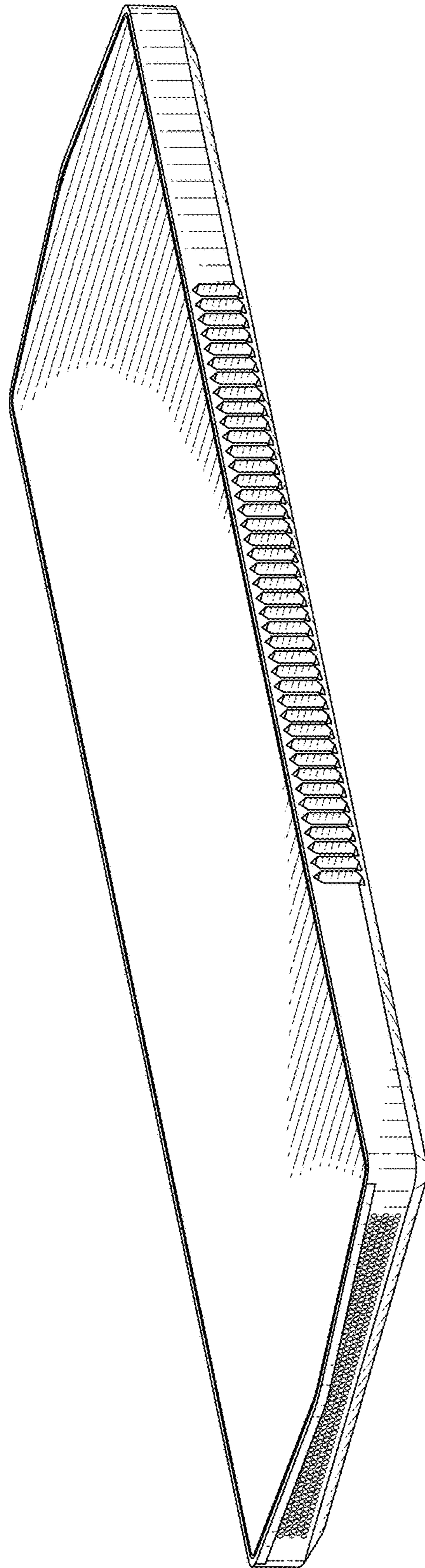


FIG. 10