



US00D867262S

(12) **United States Design Patent**
Eriksson et al.

(10) **Patent No.:** **US D867,262 S**

(45) **Date of Patent:** **** Nov. 19, 2019**

(54) **RACK**

D718,217 S * 11/2014 Detweiler D12/414
D831,562 S * 10/2018 Salsi D12/412

(71) Applicant: **Thule Sweden AB**, Hillerstorp (SE)

* cited by examiner

(72) Inventors: **Henrik Eriksson**, Jönköping (SE);
Johan Larsson, Jönköping (SE)

Primary Examiner — Abraham Bahta
(74) *Attorney, Agent, or Firm* — Sterne, Kessler,
Goldstein & Fox P.L.L.C.

(73) Assignee: **Thule Sweden AB**, Hillerstorp (SE)

(57) **CLAIM**

(**) Term: **15 Years**

The ornamental design for a rack, as shown and described.

(21) Appl. No.: **29/653,569**

DESCRIPTION

(22) Filed: **Jun. 15, 2018**

(51) **LOC (12) Cl.** **12-16**

(52) **U.S. Cl.**

USPC **D12/412**

(58) **Field of Classification Search**

USPC D12/414, 406–413, 415–417, 419–425,
D12/190–192, 96, 99; D32/35, 58;
D6/552; D3/304–306; 224/309–310,
224/323–329, 400; 280/760–762, 769,
280/727, 848; 296/37.1

CPC . B60R 2011/0042; B60R 11/06; B60R 9/048;
B60R 9/045; B60R 9/00; B60R 9/058;
B60R 9/12; B60R 9/02; B60R 9/08;
B60R 9/042; B60R 9/0423; B60R 9/0426;
B60R 9/05; B60R 9/052; B60R 7/04;
B60R 7/08

See application file for complete search history.

FIG. 1 is a top perspective view of a rack showing the claimed design;

FIG. 2 is a front view thereof;

FIG. 3 is a rear view thereof;

FIG. 4 is a left side view thereof;

FIG. 5 is a right side view thereof;

FIG. 6 is a top view thereof;

FIG. 7 is a bottom view thereof;

FIG. 8 is a bottom perspective view thereof;

FIG. 9 is an enlarged top perspective view of the portion of the rack shown within the dot-dot-dash broken line in FIG. 1;

FIG. 10 is an enlarged front view thereof;

FIG. 11 is an enlarged rear view thereof;

FIG. 12 is an enlarged left side view thereof;

FIG. 13 is an enlarged top view thereof;

FIG. 14 is an enlarged bottom view thereof; and,

FIG. 15 is an enlarged bottom perspective view thereof.

The dashed broken lines in the figures show portions of the rack that form no part of the claimed design.

The dot-dash broken lines in the figures show boundaries that form no part of the claimed design.

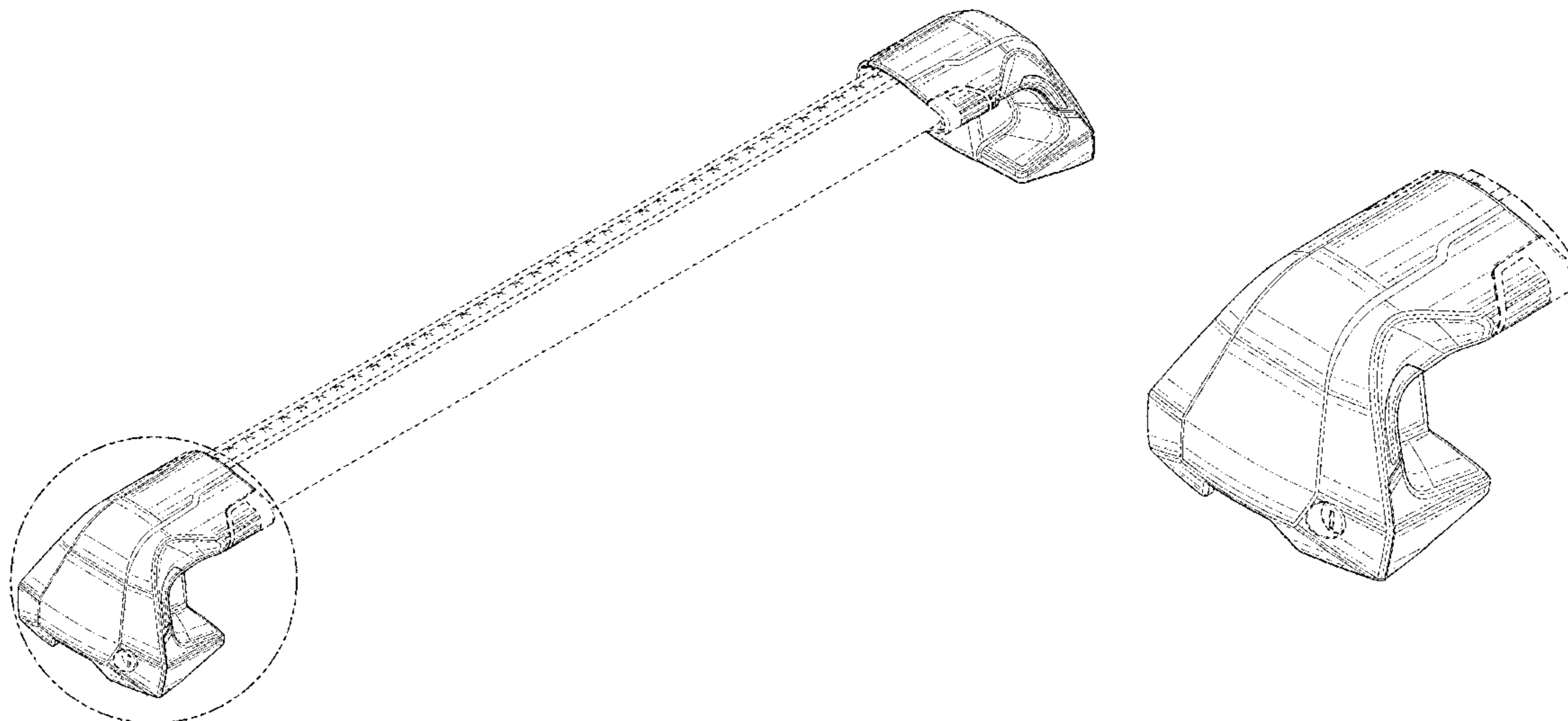
The dot-dot-dash broken lines in the figures show portions of the rack from which enlarged views have been taken.

(56) **References Cited**

U.S. PATENT DOCUMENTS

D694,170 S 11/2013 Eriksson
D695,206 S 12/2013 Eriksson

1 Claim, 10 Drawing Sheets



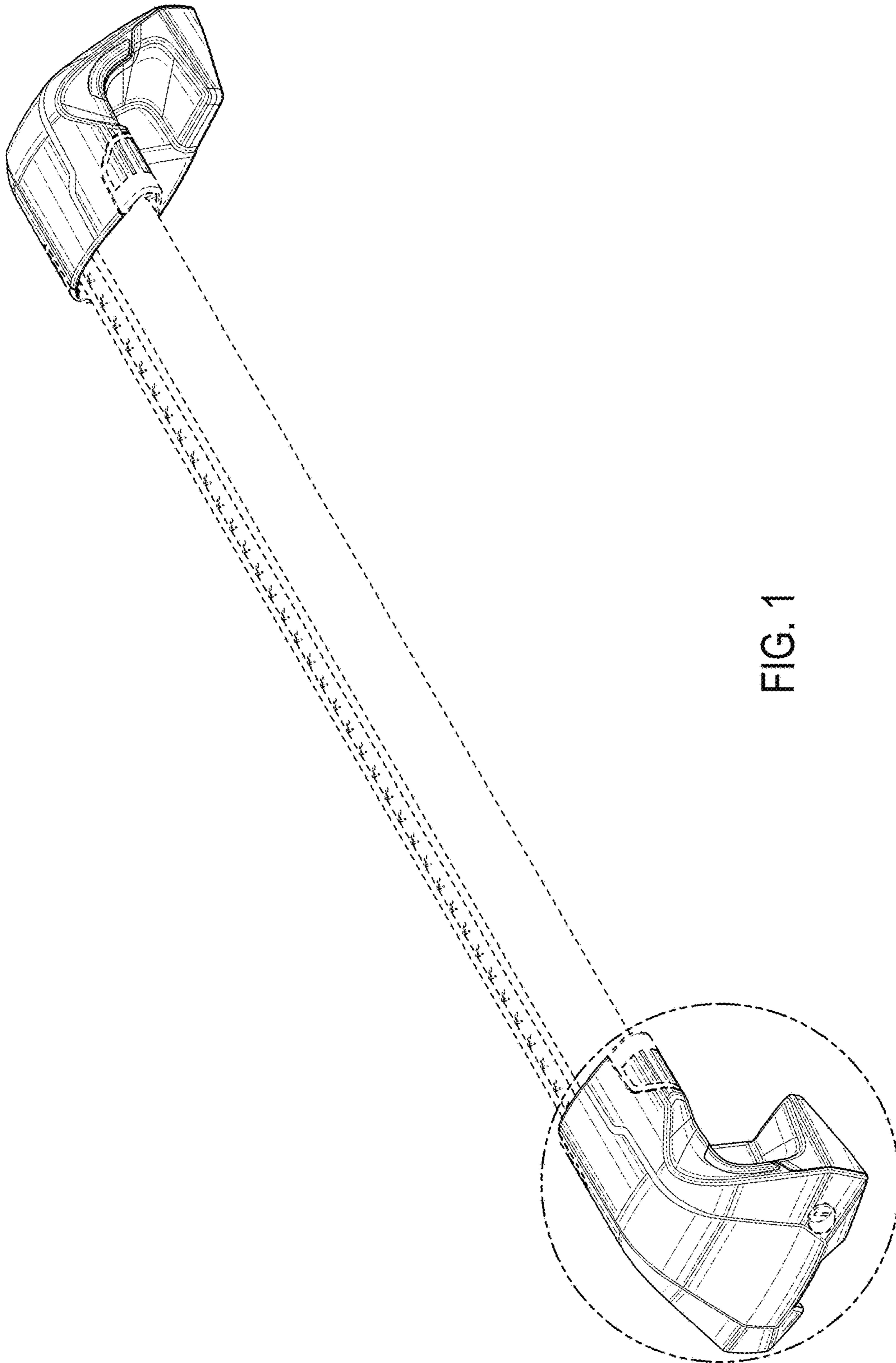


FIG. 1

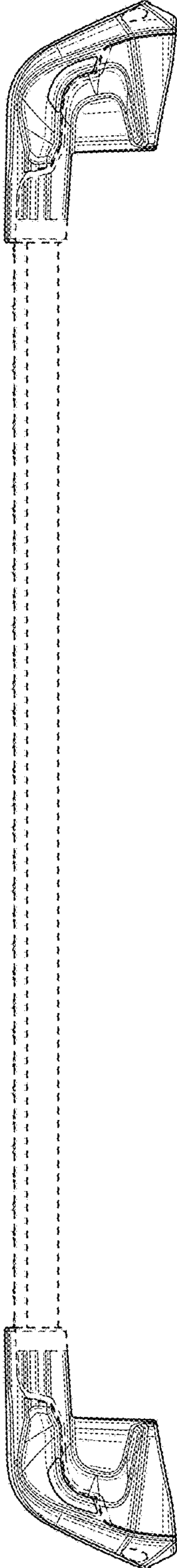


FIG. 2

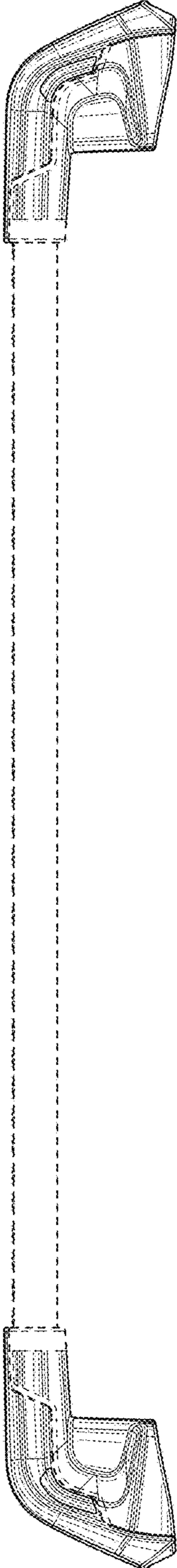


FIG. 3

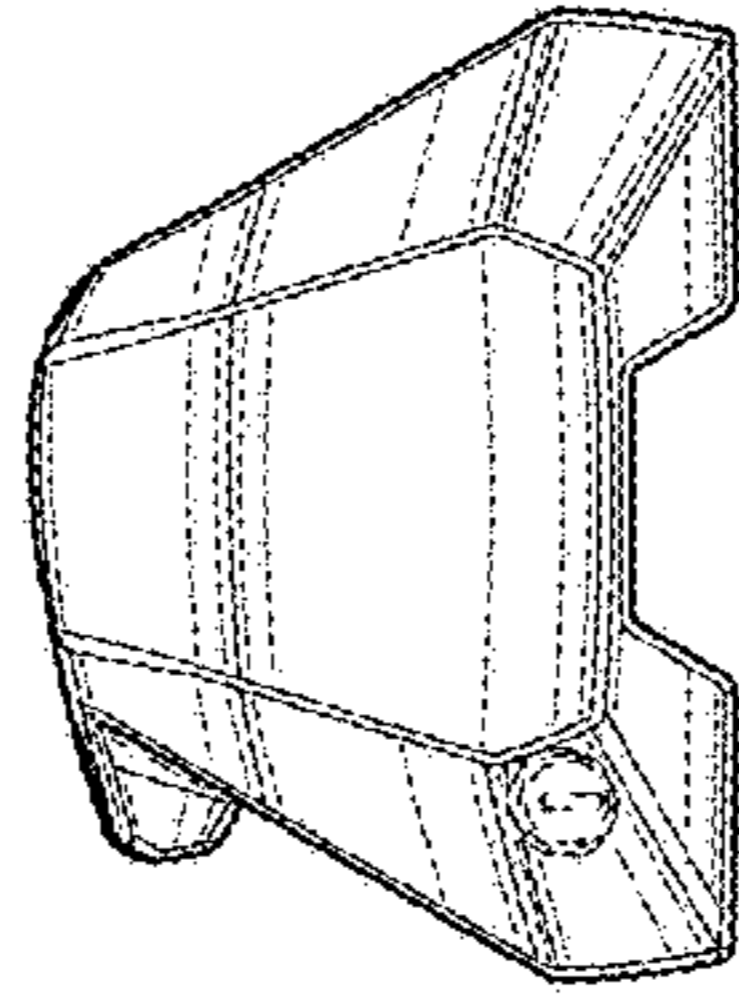


FIG. 5

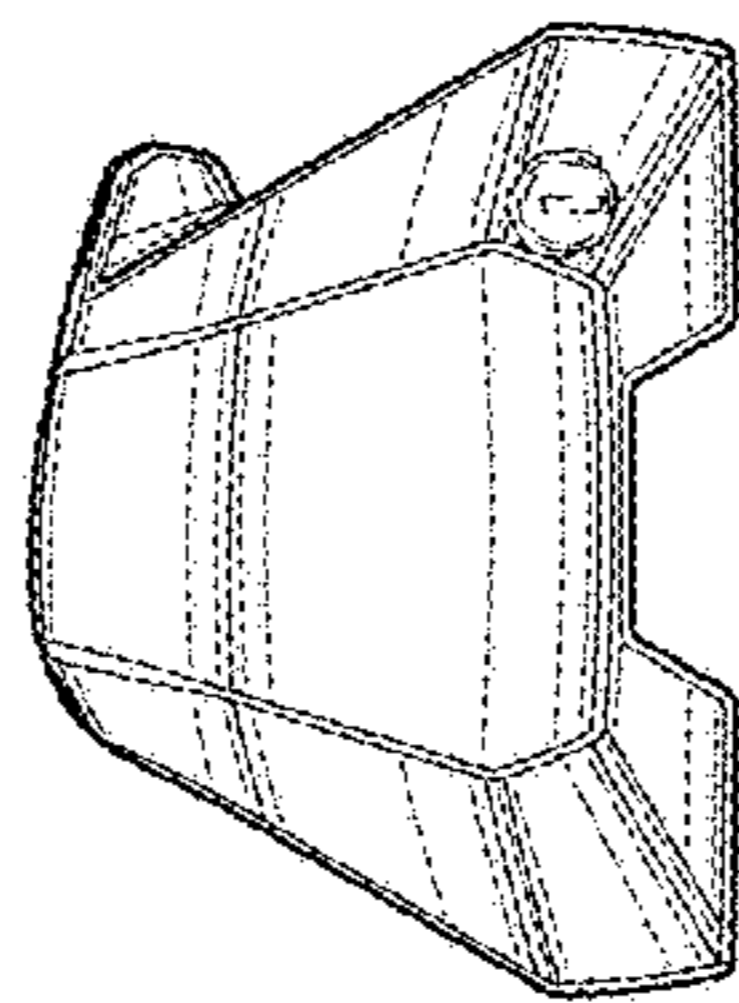


FIG. 4

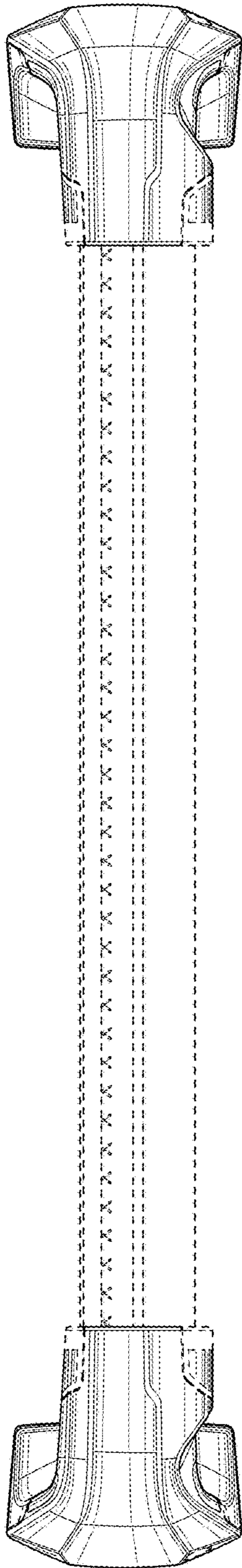


FIG. 6

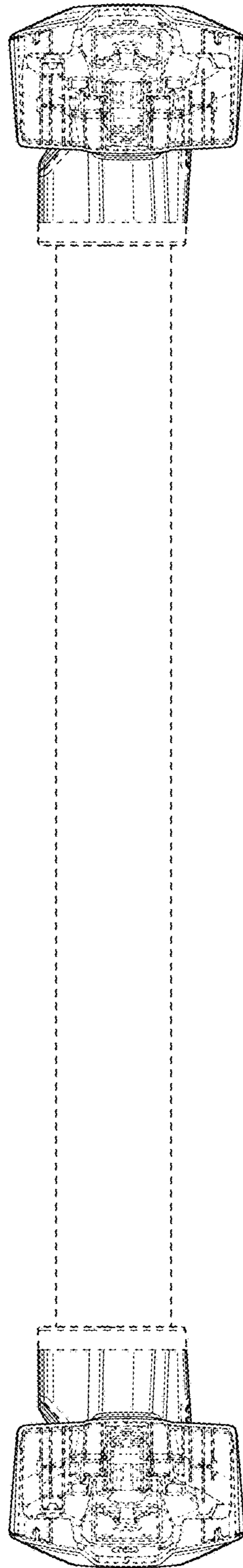


FIG. 7

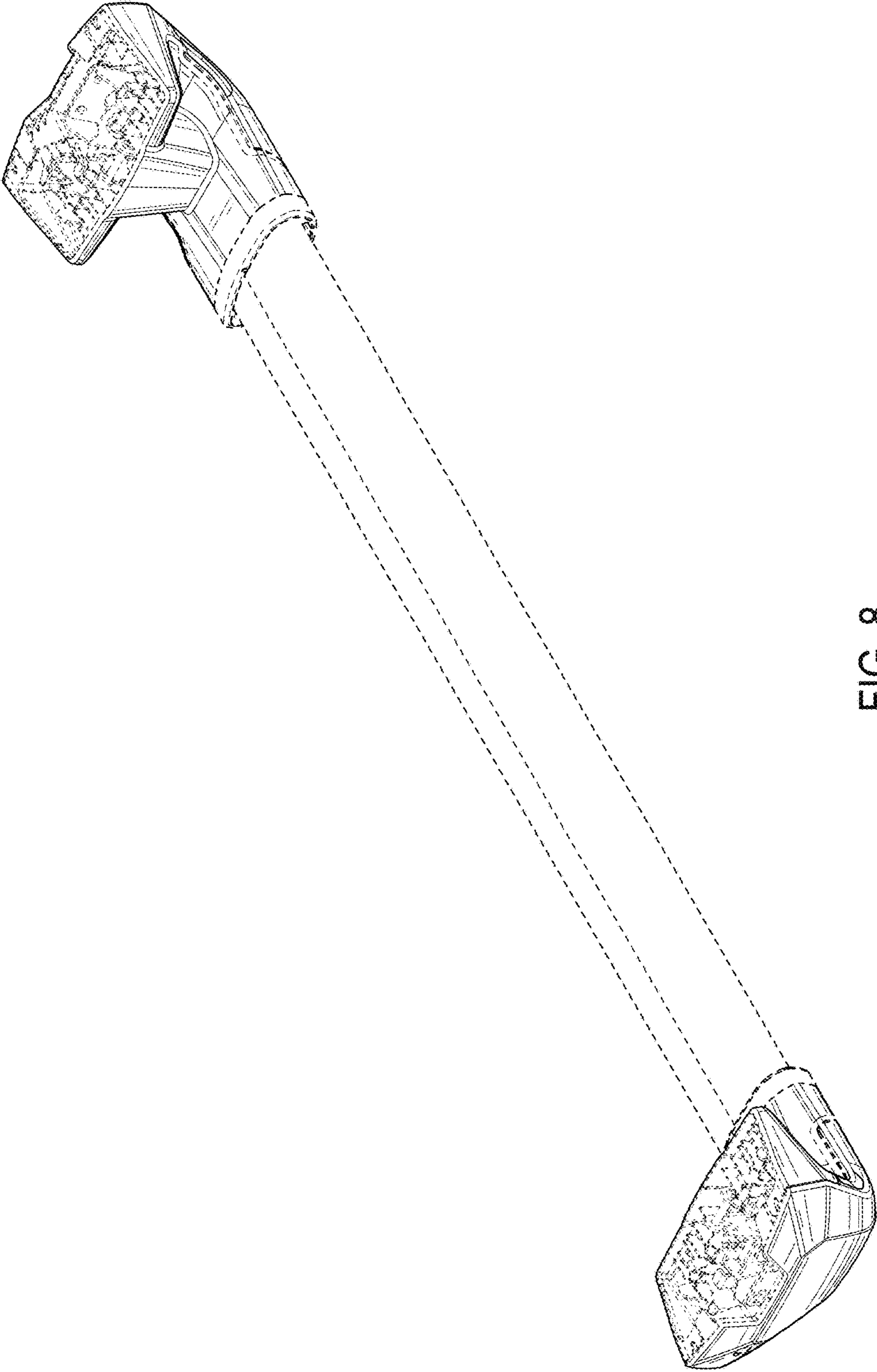


FIG. 8

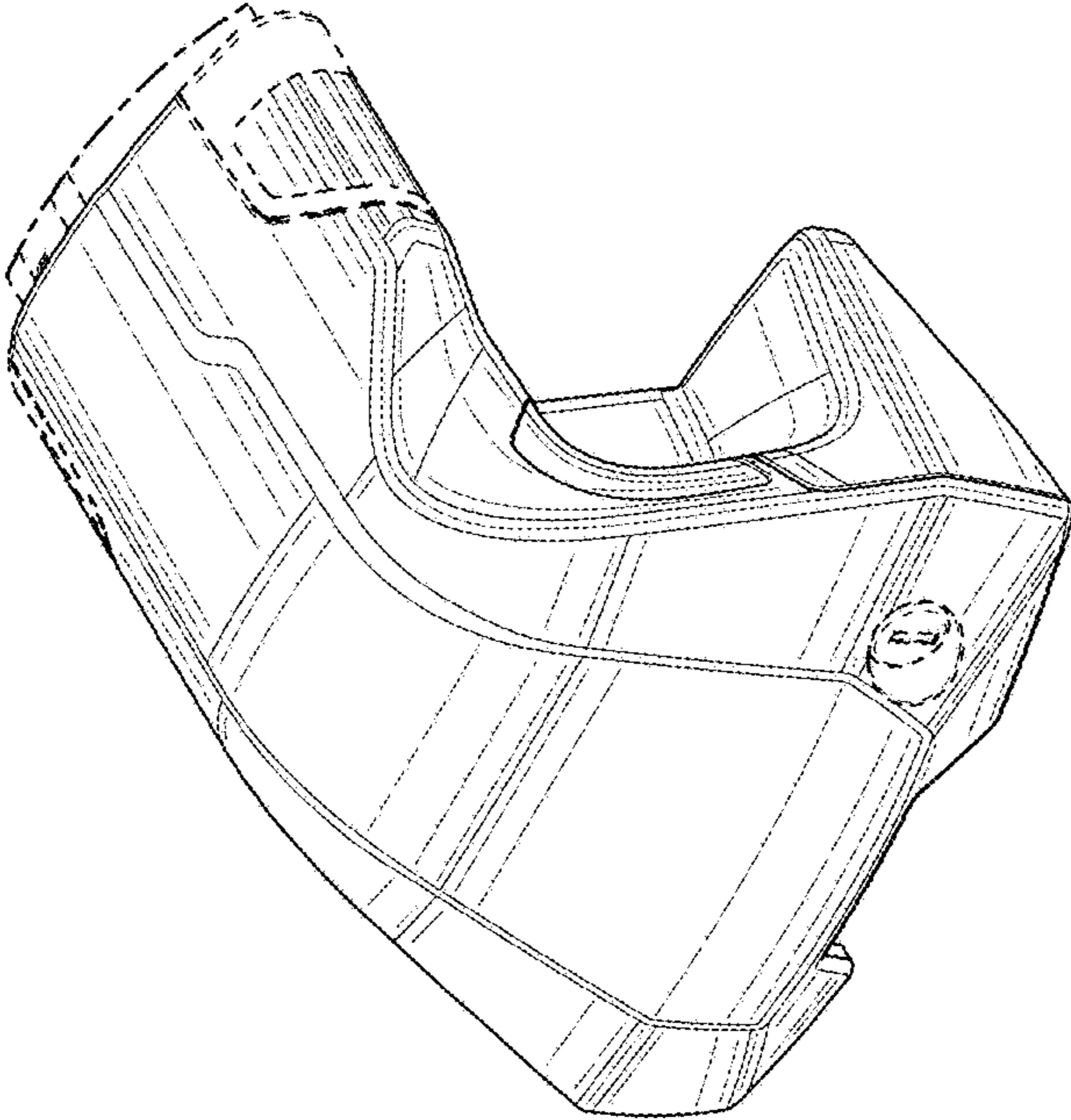


FIG. 9

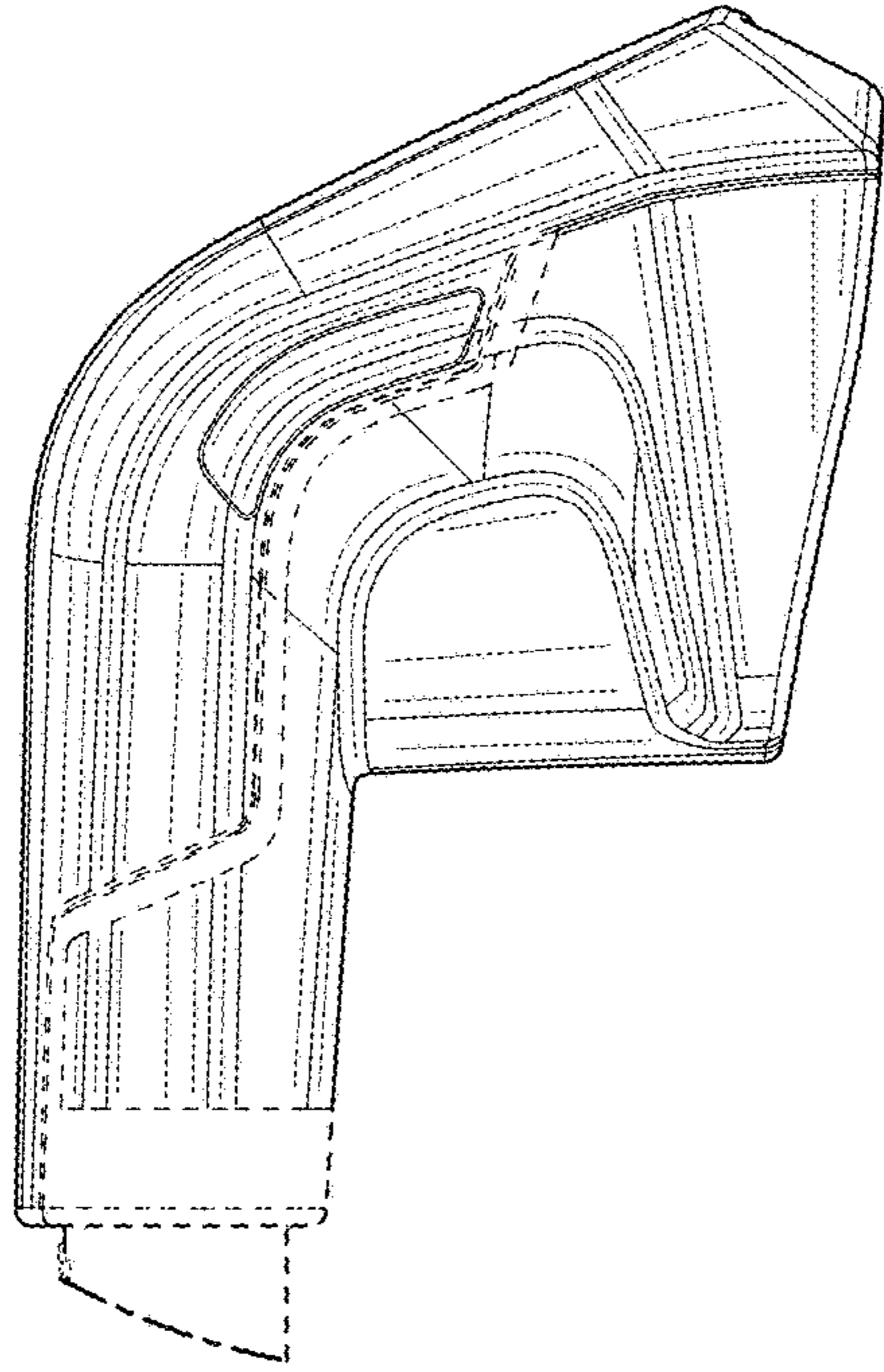


FIG. 10

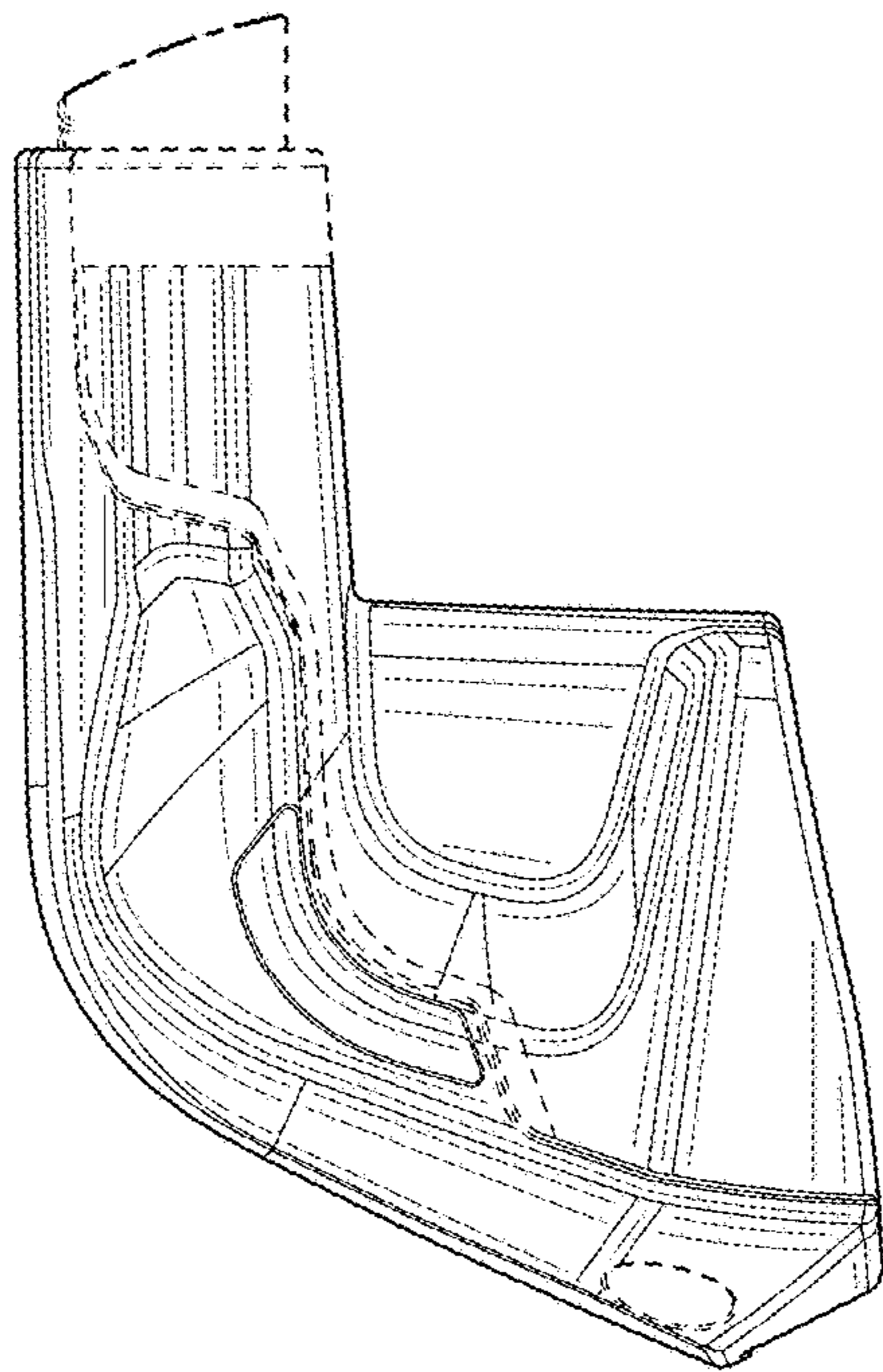


FIG. 11

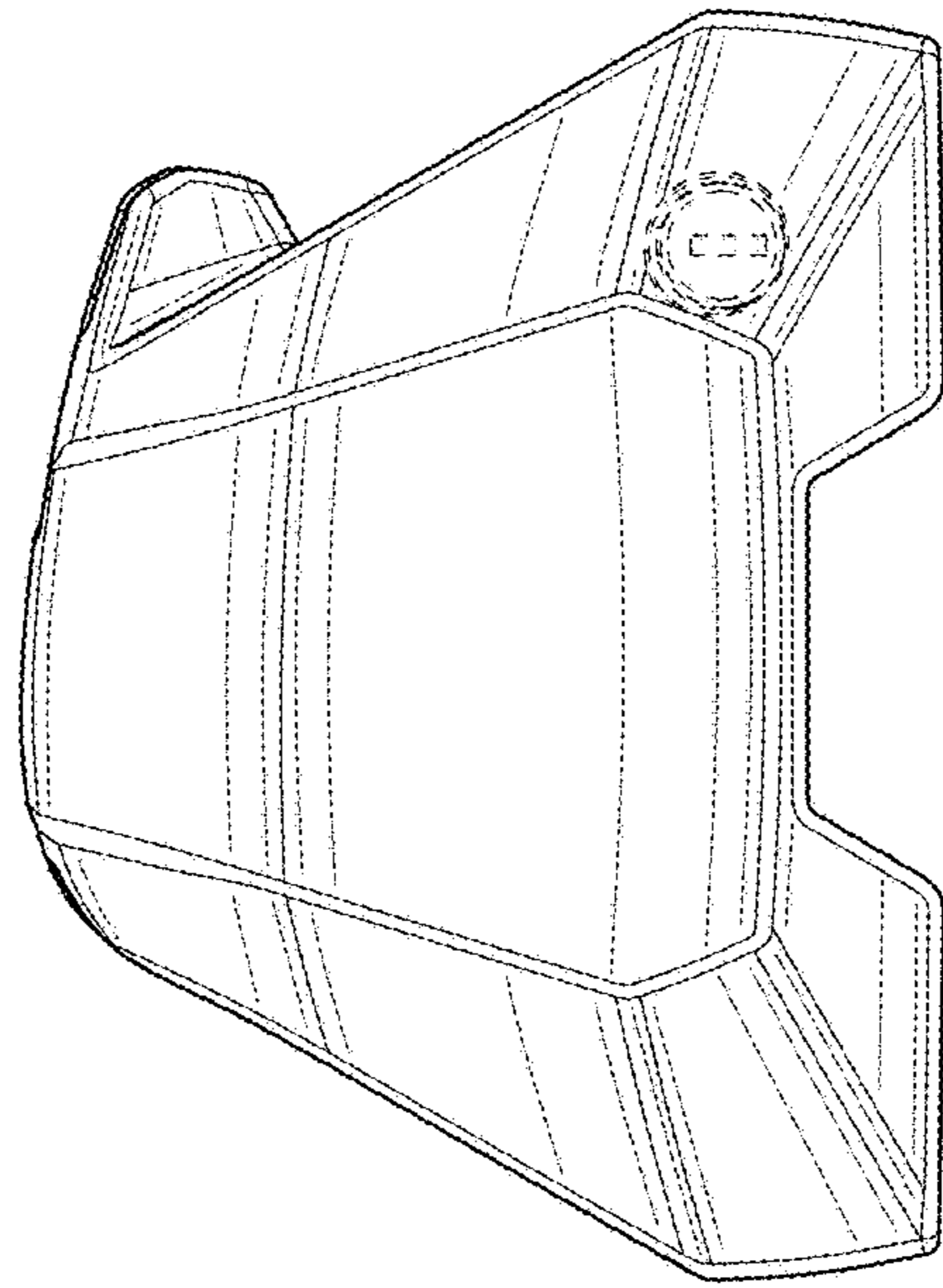


FIG. 12

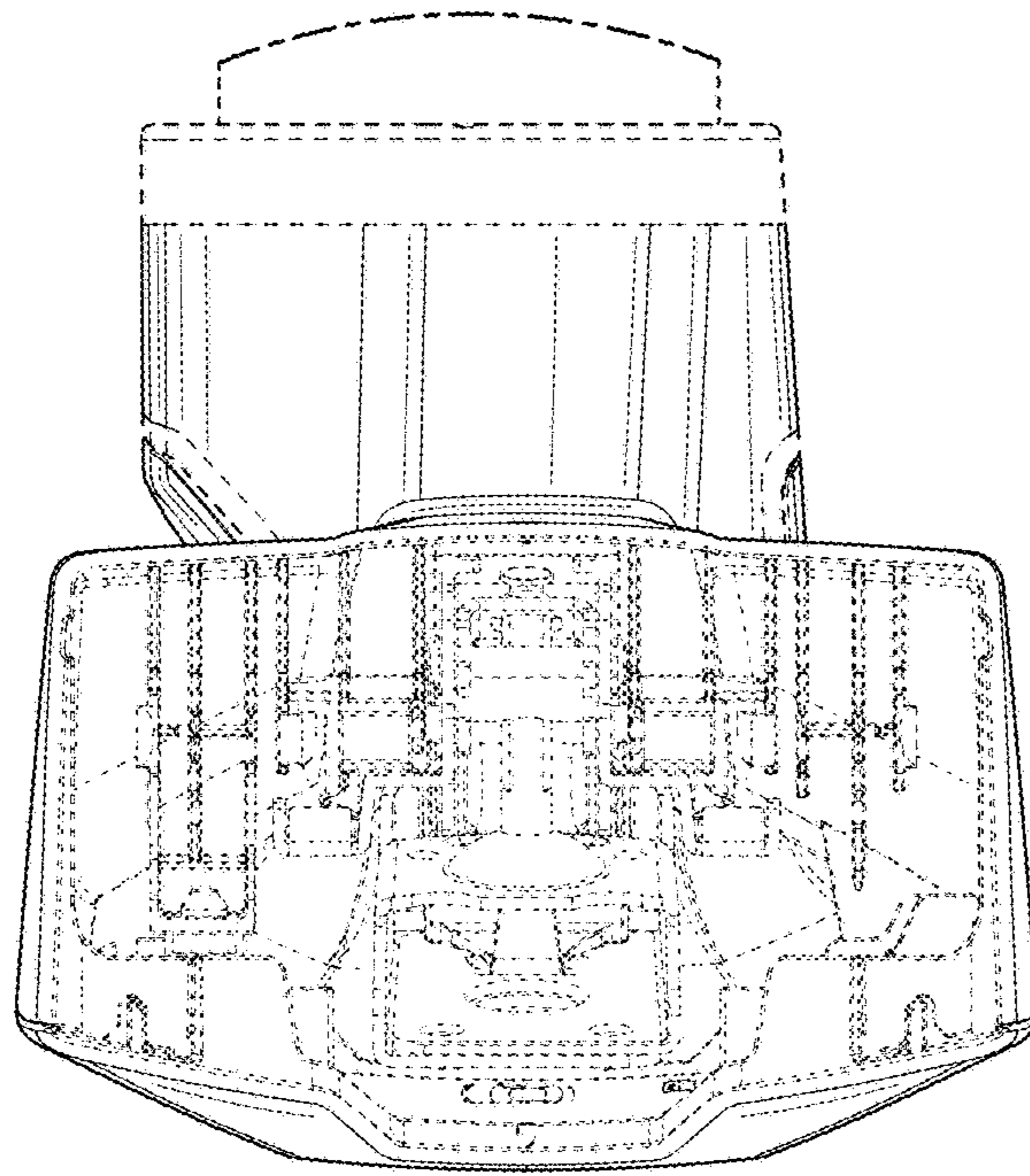


FIG. 14

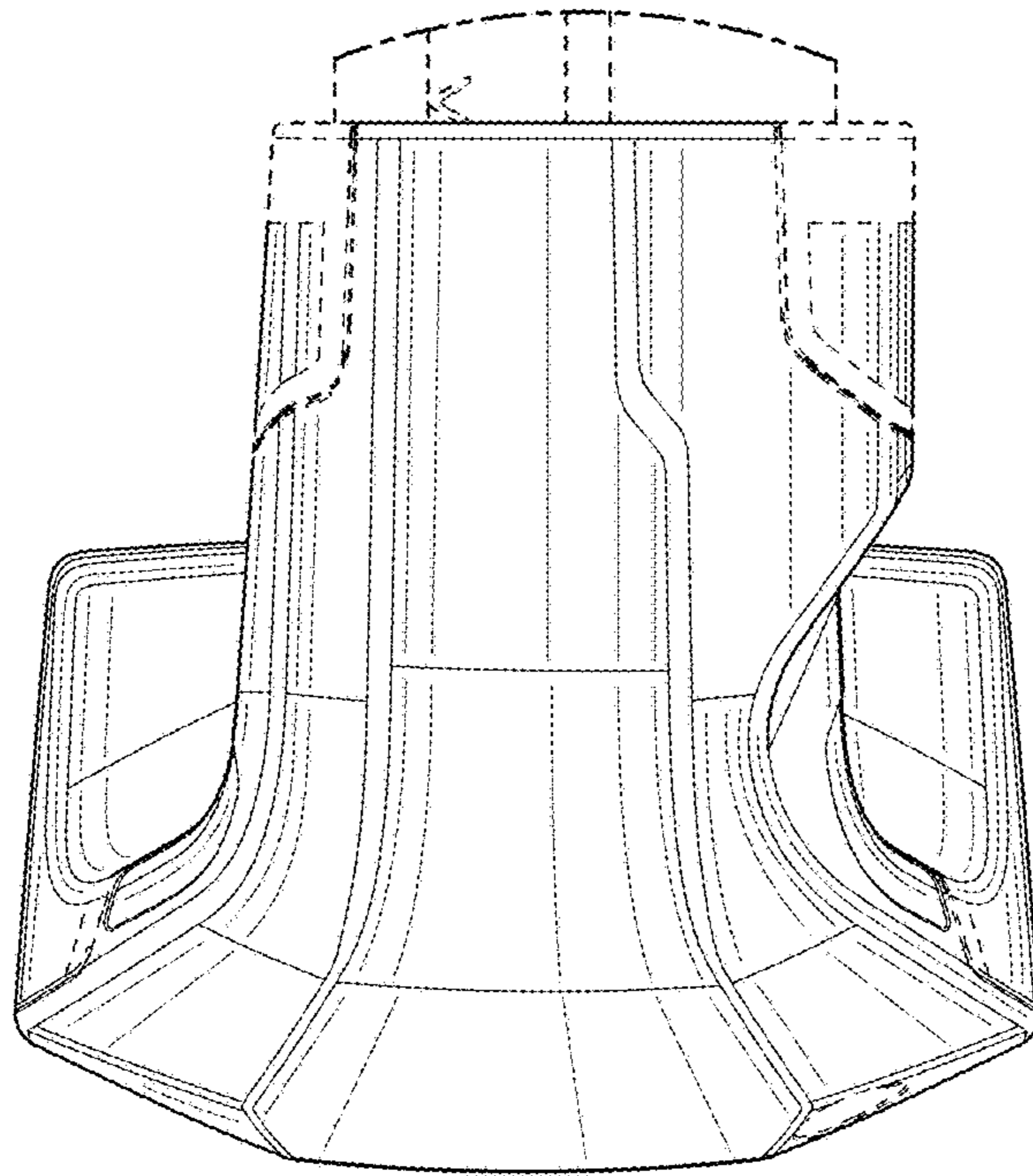


FIG. 13

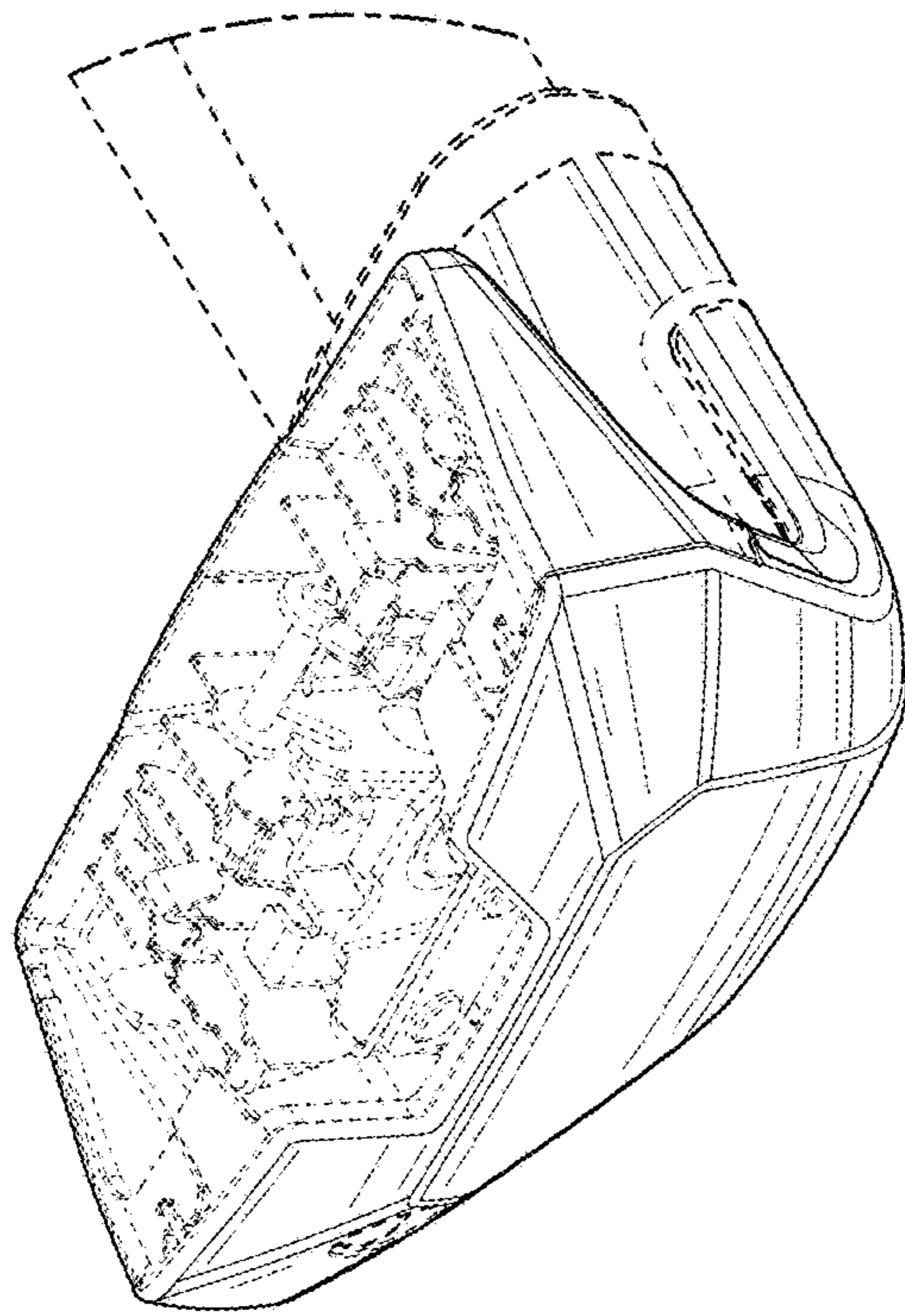


FIG. 15