



US00D867260S

(12) **United States Design Patent**
Brunkhurst

(10) **Patent No.:** **US D867,260 S**

(45) **Date of Patent:** **** Nov. 19, 2019**

(54) **VEHICLE DIFFERENTIAL
REINFORCEMENT BRACKET**

(71) Applicant: **Brayton Wayne Brunkhurst**, Lebanon,
PA (US)

(72) Inventor: **Brayton Wayne Brunkhurst**, Lebanon,
PA (US)

(**) Term: **15 Years**

(21) Appl. No.: **29/681,571**

(22) Filed: **Feb. 26, 2019**

(51) **LOC (12) Cl.** **12-06**

(52) **U.S. Cl.**
USPC **D12/223**

(58) **Field of Classification Search**
USPC D12/400, 159, 160, 223, 114, 162;
D8/14, 349, 354, 382, 499; D15/143
CPC F16H 48/38; F16H 2048/387; F16H 48/40;
F16H 48/42; F16H 48/08; F16H 57/02;
F16H 2057/02026; F16H 57/037; B62D
21/11; B60D 1/02; B60G 7/02
See application file for complete search history.

(56) **References Cited**

U.S. PATENT DOCUMENTS

| | | | | |
|--------------|---------|---------------|-------|---------|
| D279,570 S * | 7/1985 | Gentile | | D12/160 |
| D297,942 S * | 10/1988 | Somarakis | | D15/143 |
| D321,520 S | 11/1991 | Macomber | | |
| D327,280 S | 6/1992 | Macomber | | |
| D330,380 S | 10/1992 | Secrest | | |
| D363,500 S * | 10/1995 | Ichihara | | D15/143 |
| D367,249 S * | 2/1996 | Ott | | D12/114 |
| D376,751 S | 12/1996 | Hanson | | |
| D407,357 S | 3/1999 | Ratcliff | | |
| D424,988 S | 5/2000 | Rothlisberger | | |
| D454,828 S * | 3/2002 | Alder | | D12/223 |
| D464,013 S | 10/2002 | Adams | | |
| D473,775 S | 4/2003 | Janiszewski | | |

| | | | | |
|----------------|--------|------------|-------|--------------------------|
| D486,763 S | 2/2004 | Nunez | | |
| 6,793,227 B1 * | 9/2004 | Weisgerber | | B60G 7/02 280/124.119 |

| | | | | |
|--------------|---------|----------|-------|---------|
| D504,363 S | 4/2005 | McGaughy | | |
| D505,098 S | 5/2005 | McGaughy | | |
| D608,718 S | 1/2010 | Nas | | |
| D613,591 S * | 4/2010 | Lee | | D12/114 |
| D624,461 S * | 9/2010 | Noble | | D12/159 |
| D648,249 S * | 11/2011 | Noble | | D12/159 |
| D656,452 S * | 3/2012 | Calvert | | D12/223 |
| D691,459 S | 10/2013 | Waugh | | |
| D693,277 S | 11/2013 | Waugh | | |

(Continued)

Primary Examiner — Sandra S Snapp

Assistant Examiner — Ieisha N Price

(74) *Attorney, Agent, or Firm* — Quickpatents, LLC;
Kevin Prince

(57) **CLAIM**

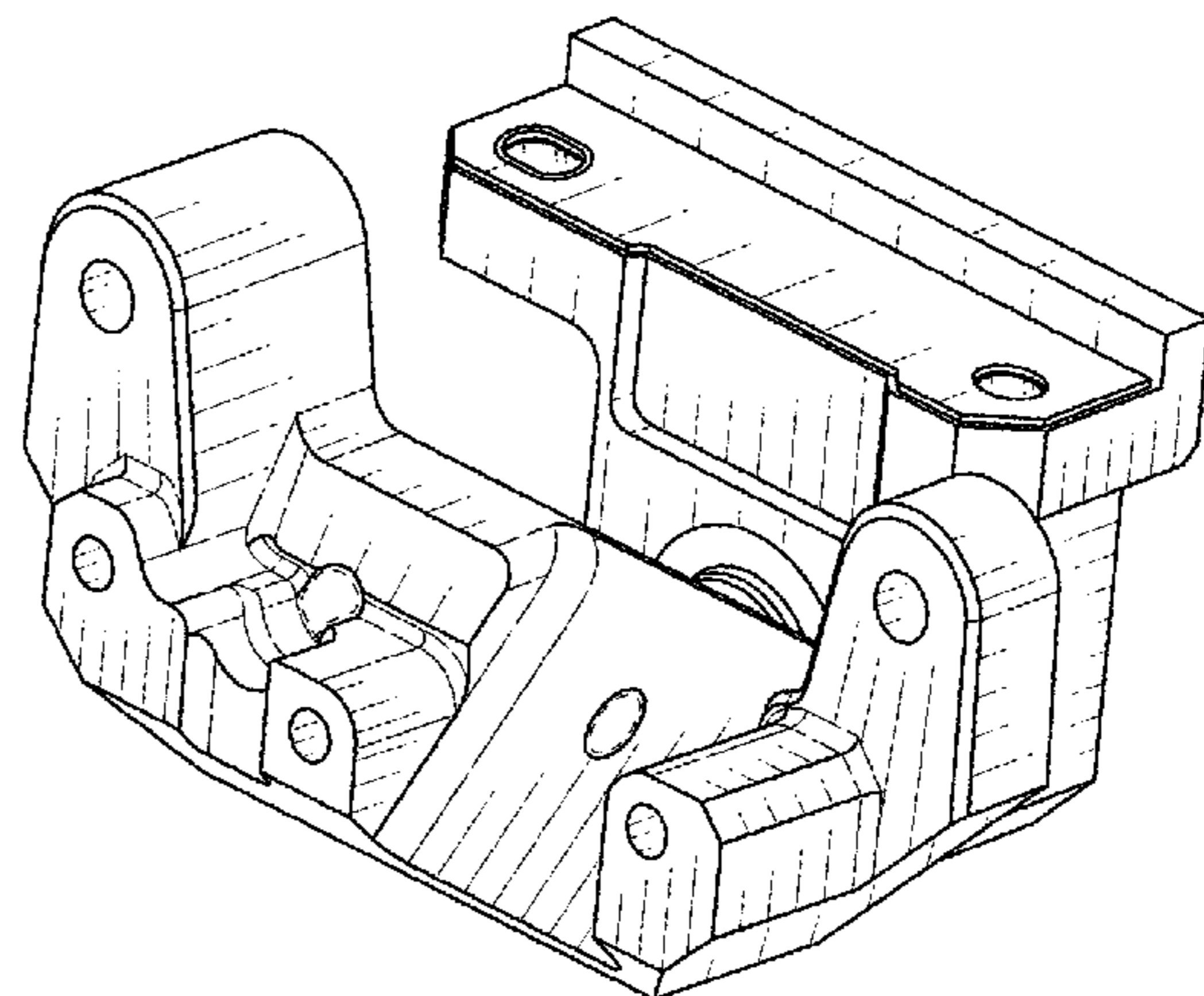
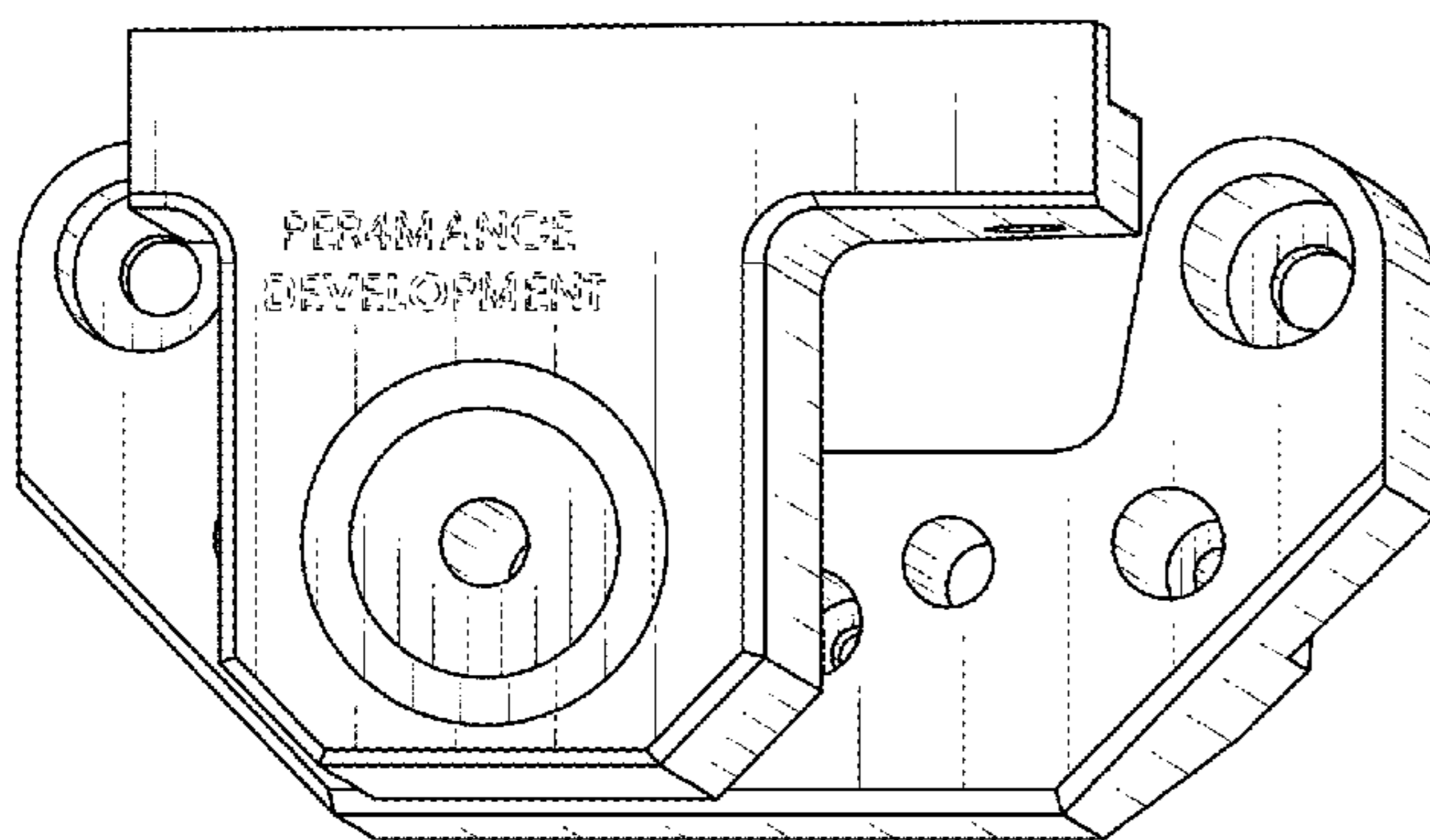
The ornamental design for a vehicle differential reinforcement bracket, as shown and described.

DESCRIPTION

FIG. 1 is a front elevational view of a vehicle differential reinforcement bracket, showing my new design; FIG. 2 is an enlarged front perspective view thereof; FIG. 3 is a rear perspective view of FIG. 2; FIG. 4 is a front elevational view of FIG. 2; FIG. 5 is a rear elevational view of FIG. 2; FIG. 6 is a left-side elevational view of FIG. 2; FIG. 7 is a right-side elevational view of FIG. 2; FIG. 8 is a top plan view of FIG. 2; FIG. 9 is a bottom plan view of FIG. 2; and, FIG. 10 is a bottom perspective view thereof.

The broken lines showing a vehicle in FIG. 1 depict environmental matter and form no part of the claimed design. The remaining broken lines depict portions of the vehicle differential reinforcement bracket that form no part of the claimed design.

1 Claim, 6 Drawing Sheets



(56)

References Cited

U.S. PATENT DOCUMENTS

D712,816 S 9/2014 Maholick
D717,216 S 11/2014 Dunn
D736,681 S * 8/2015 Awasa D12/160
D743,306 S 11/2015 Clouss
D760,581 S * 7/2016 Pace D8/382
D772,774 S 11/2016 Yuan
D779,923 S * 2/2017 Del Rossa D12/223
D787,916 S 5/2017 Yuan
D797,544 S * 9/2017 Attanasio D8/349
D812,725 S 3/2018 Sato
D821,957 S * 7/2018 Wan D12/400
D828,238 S 9/2018 Williams
D831,463 S * 10/2018 Granberg D8/349
D834,463 S 11/2018 Brunkhurst
D840,282 S * 2/2019 Coste D12/162
2005/0245342 A1 * 11/2005 Pontanari F16H 48/08
475/230
2011/0001303 A1 * 1/2011 Brewer B60D 1/02
280/495

* cited by examiner

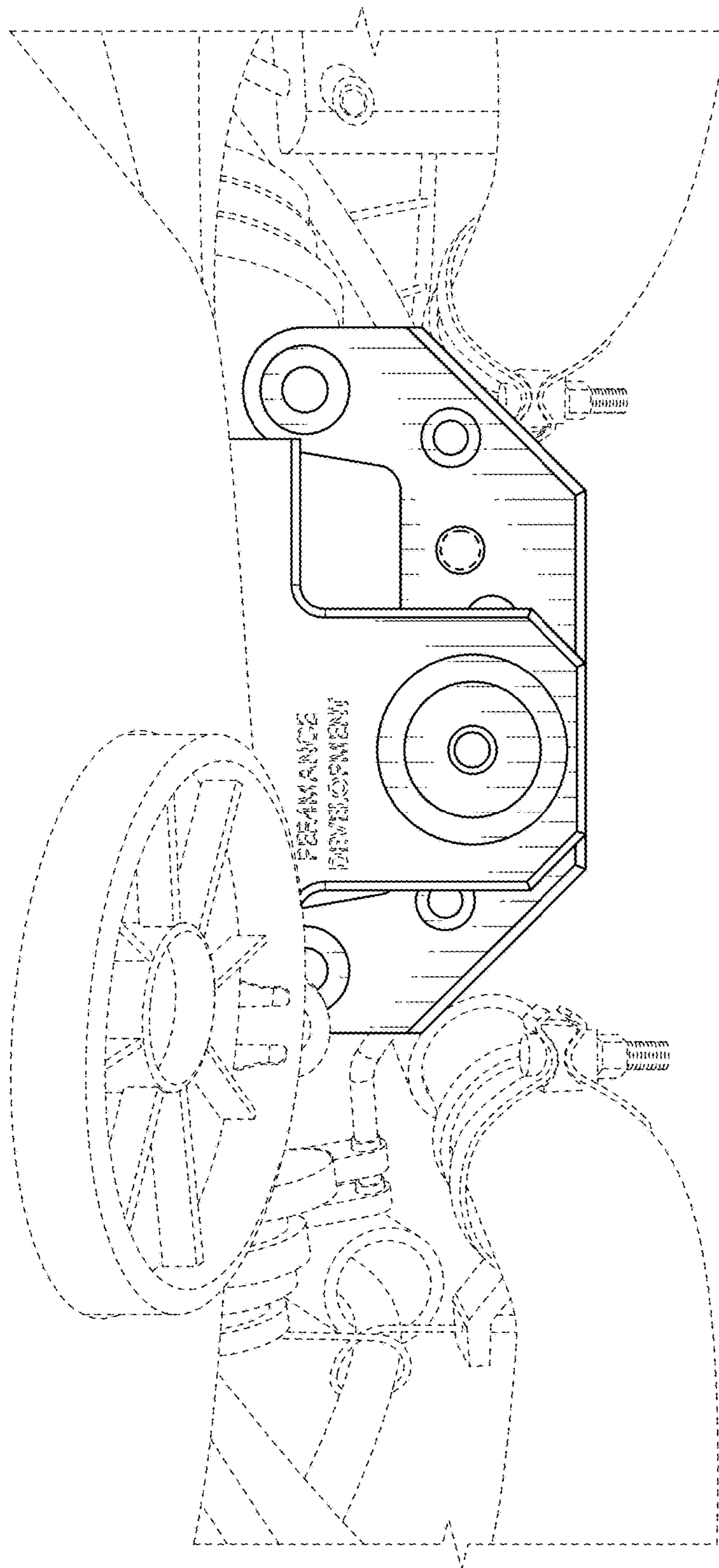


FIG. 1

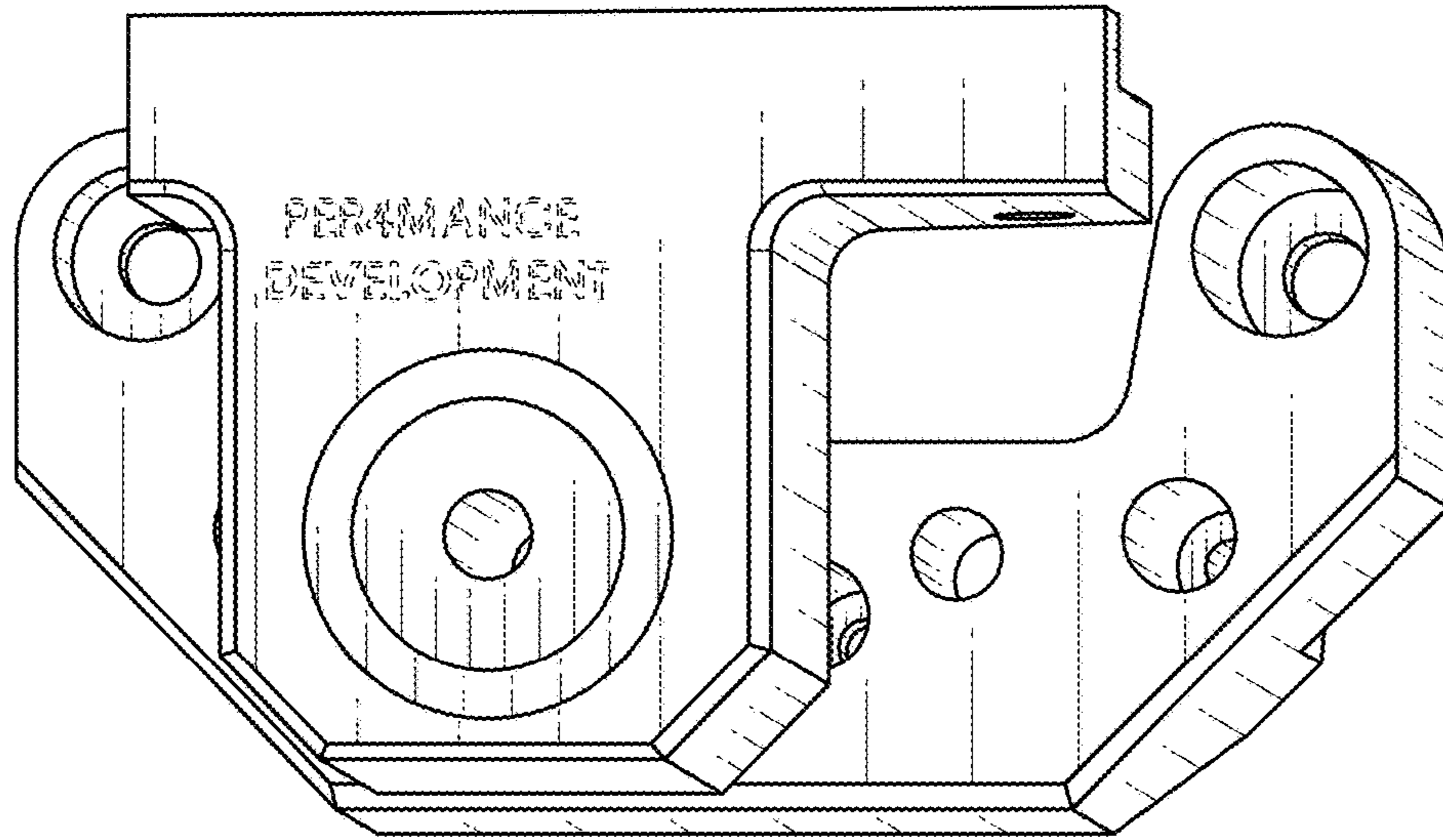


FIG. 2

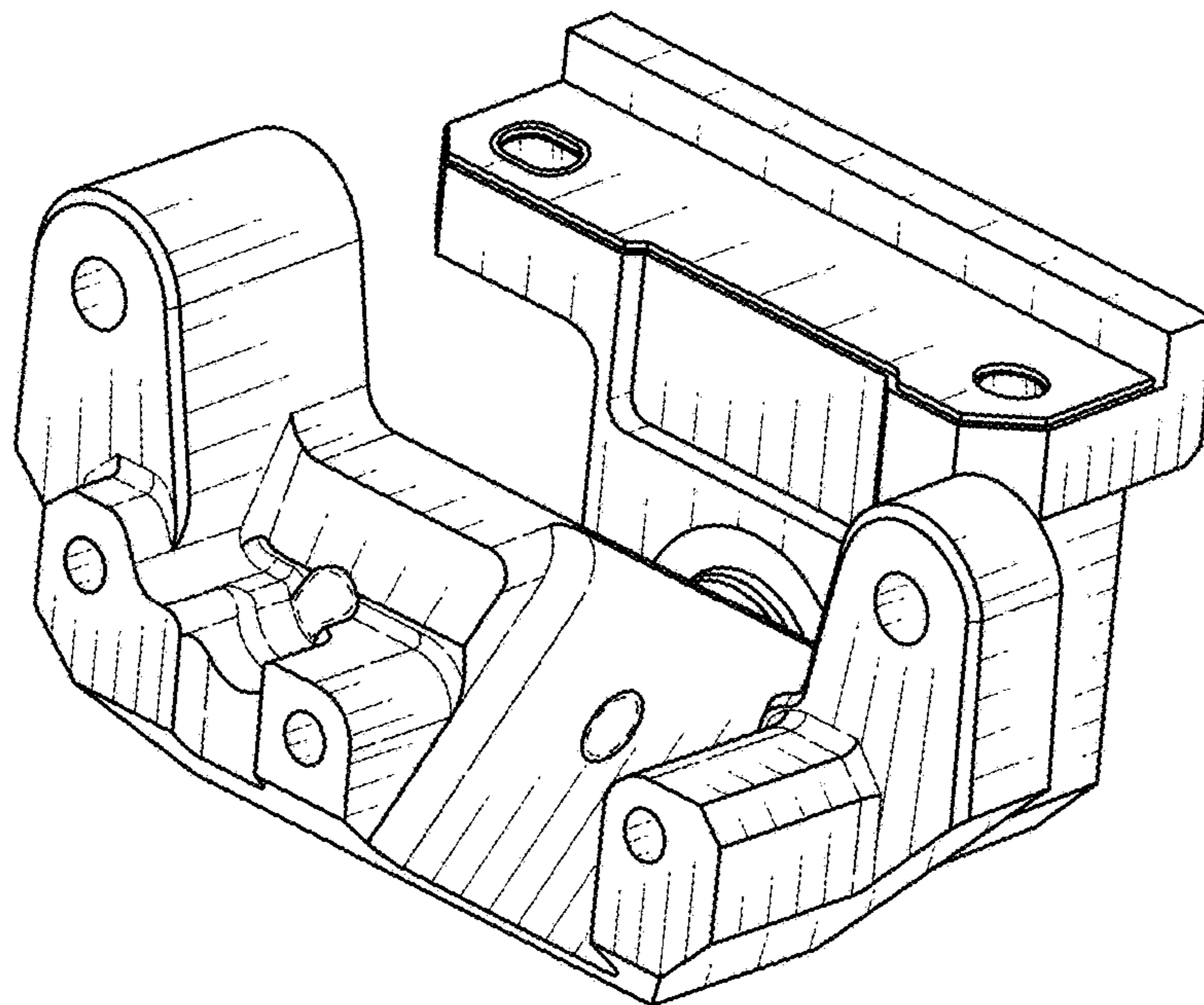


FIG. 3

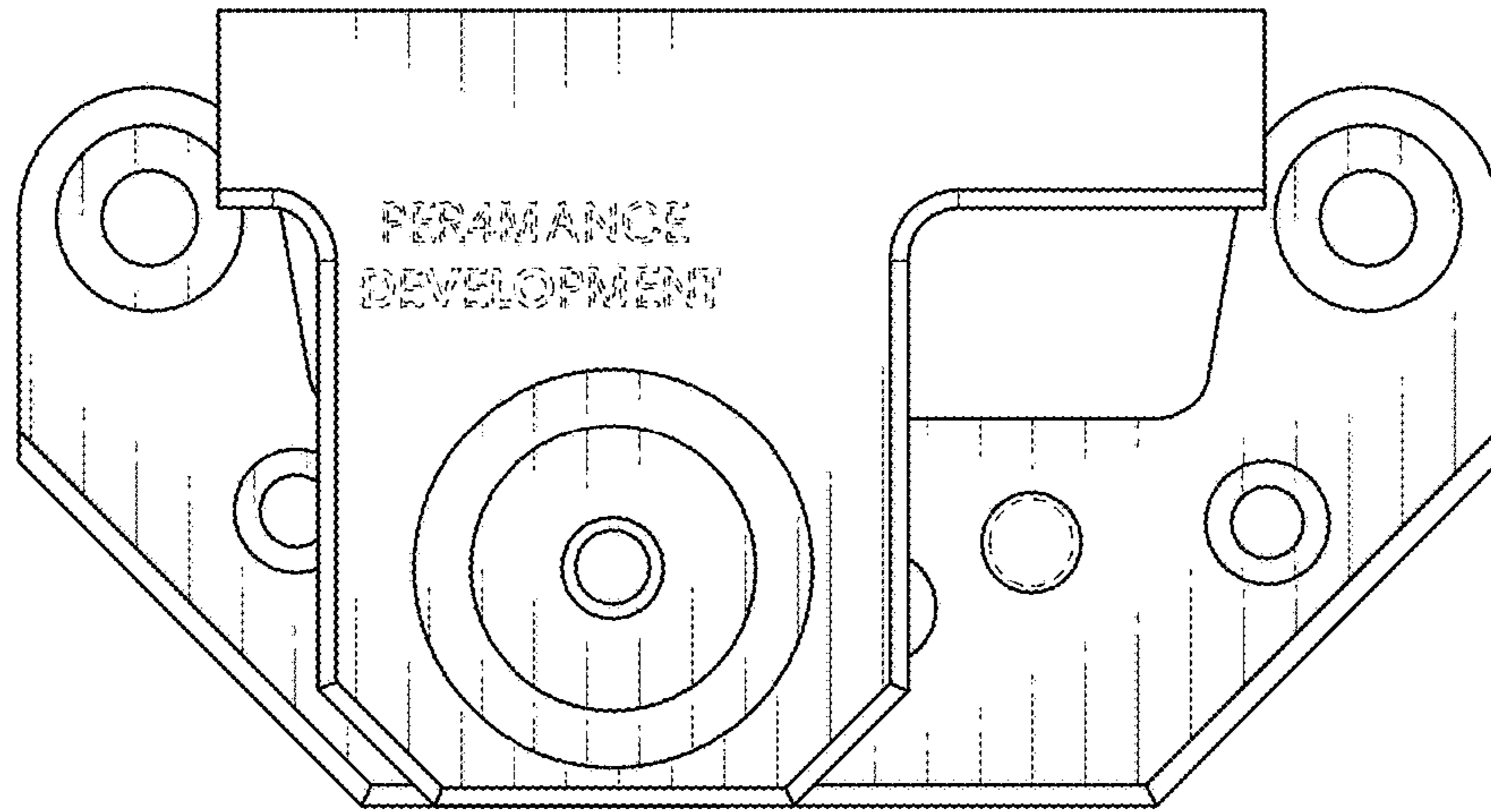


FIG. 4

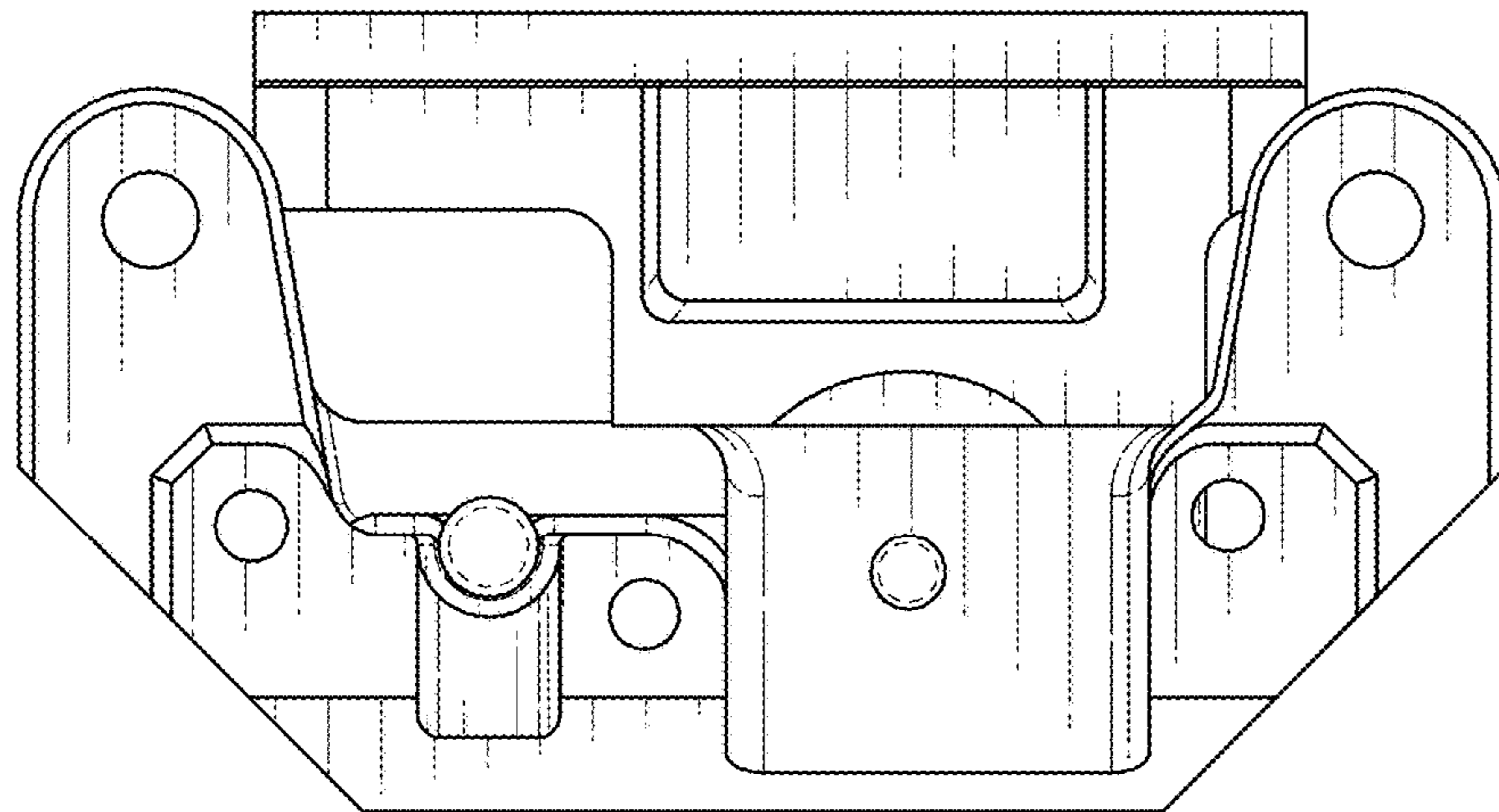


FIG. 5

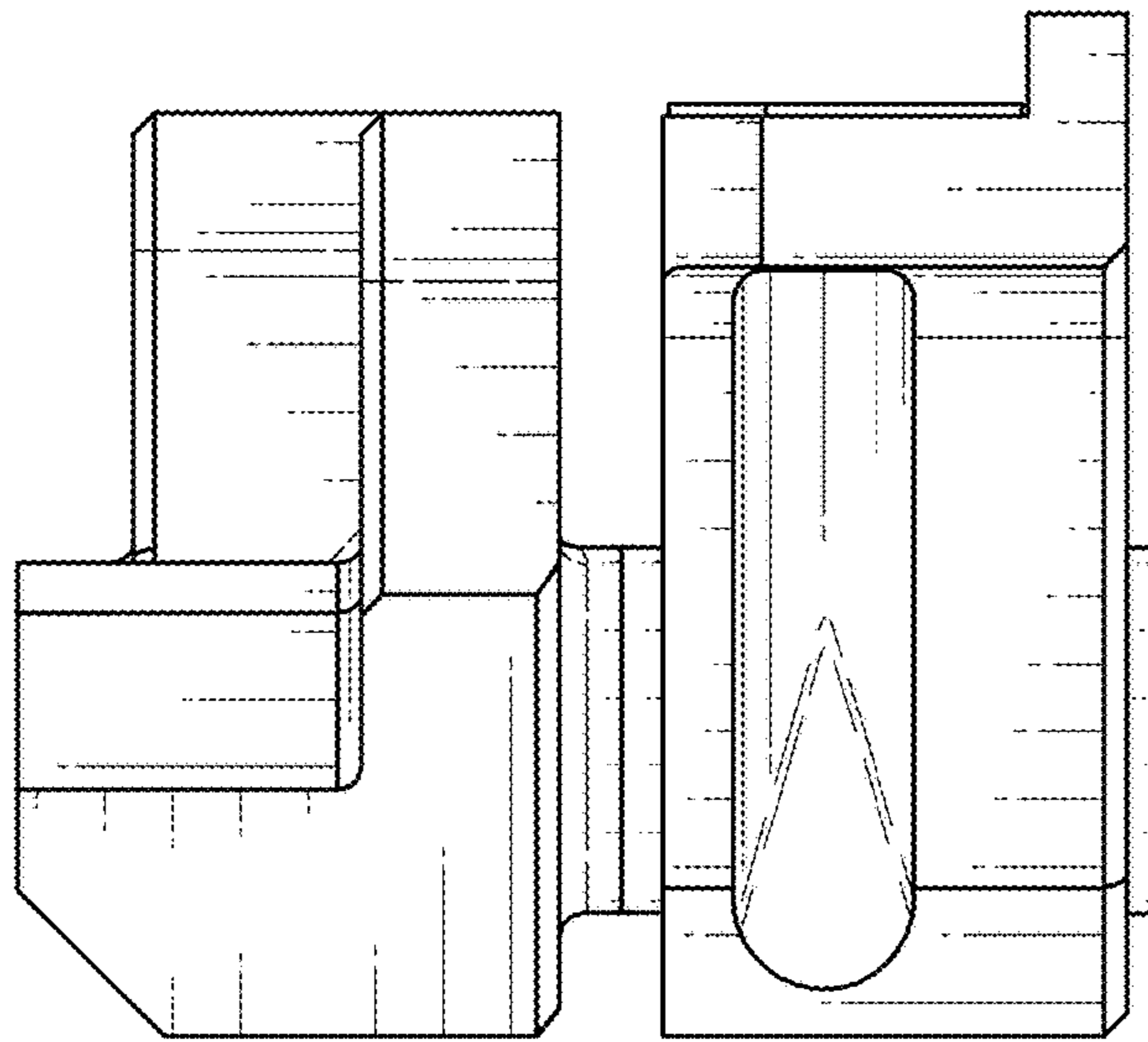


FIG. 6

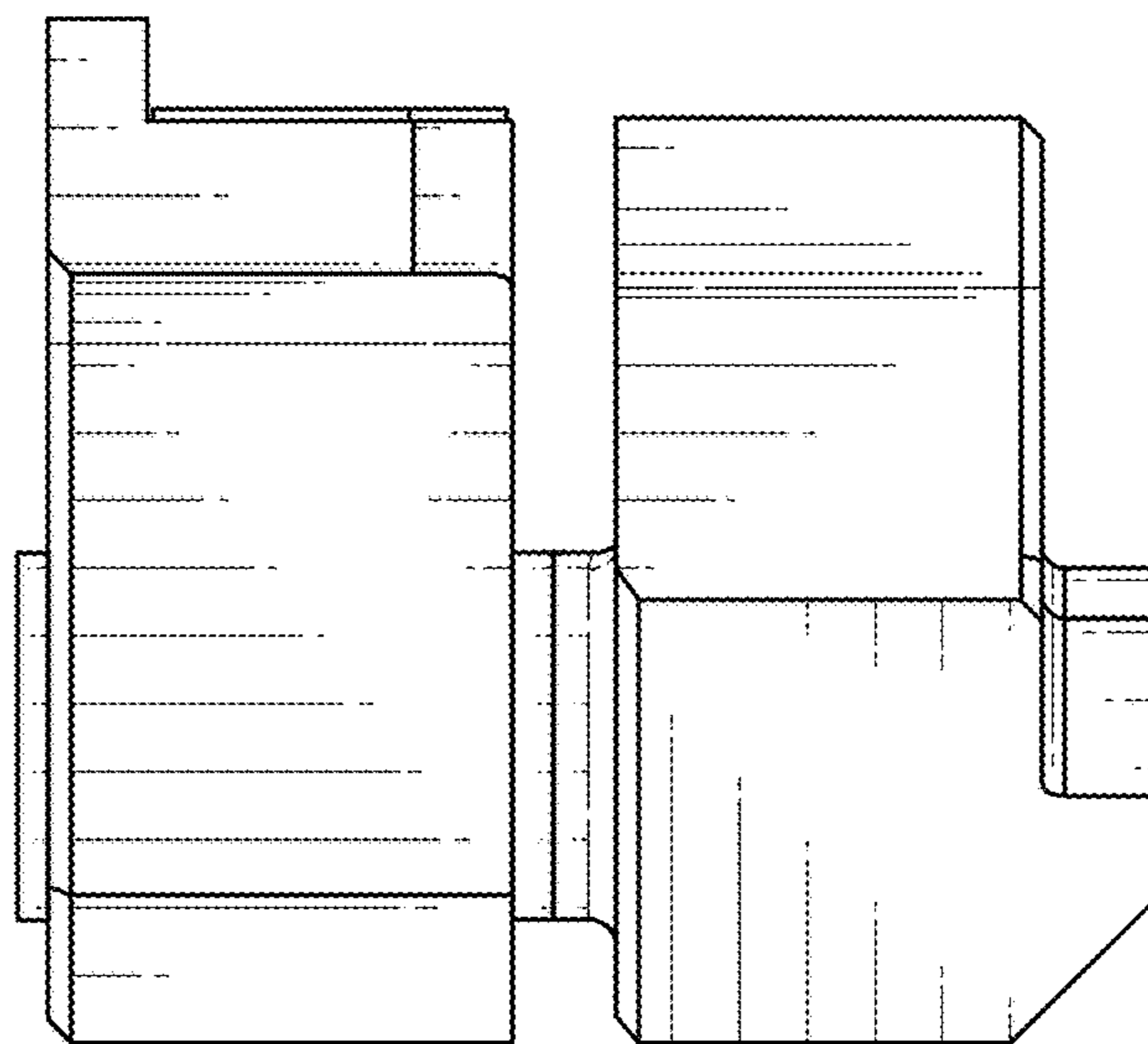


FIG. 7

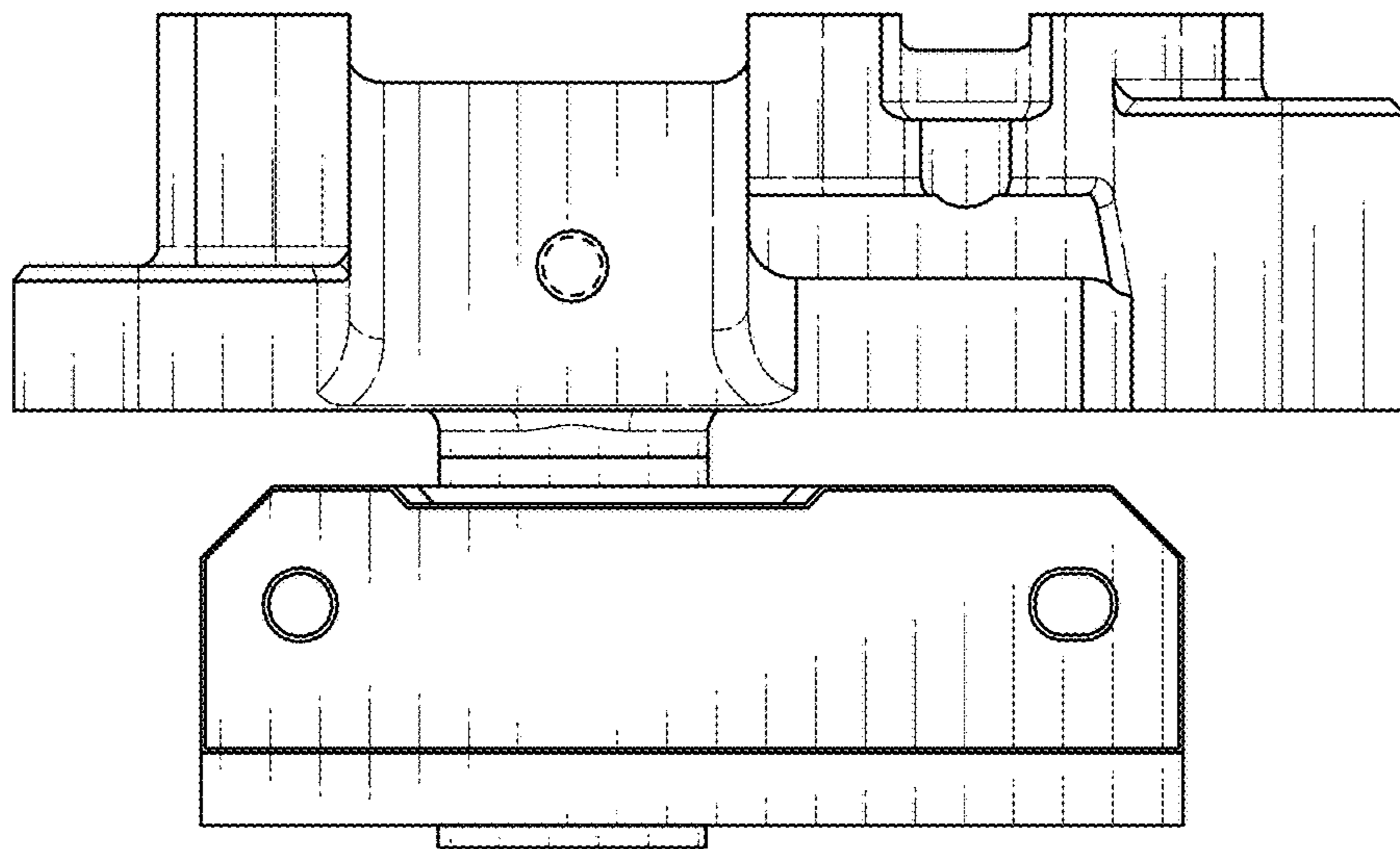


FIG. 8

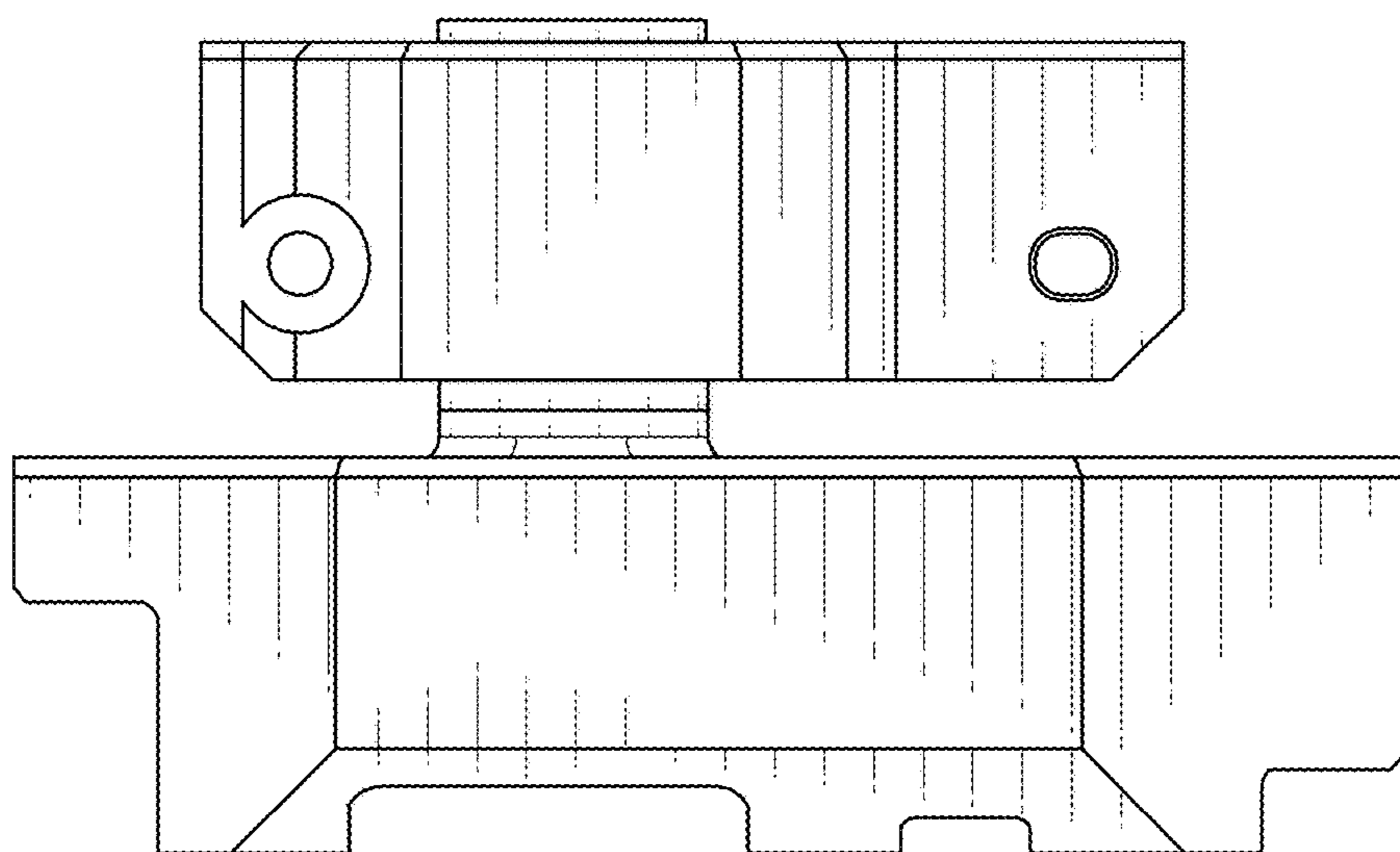


FIG. 9

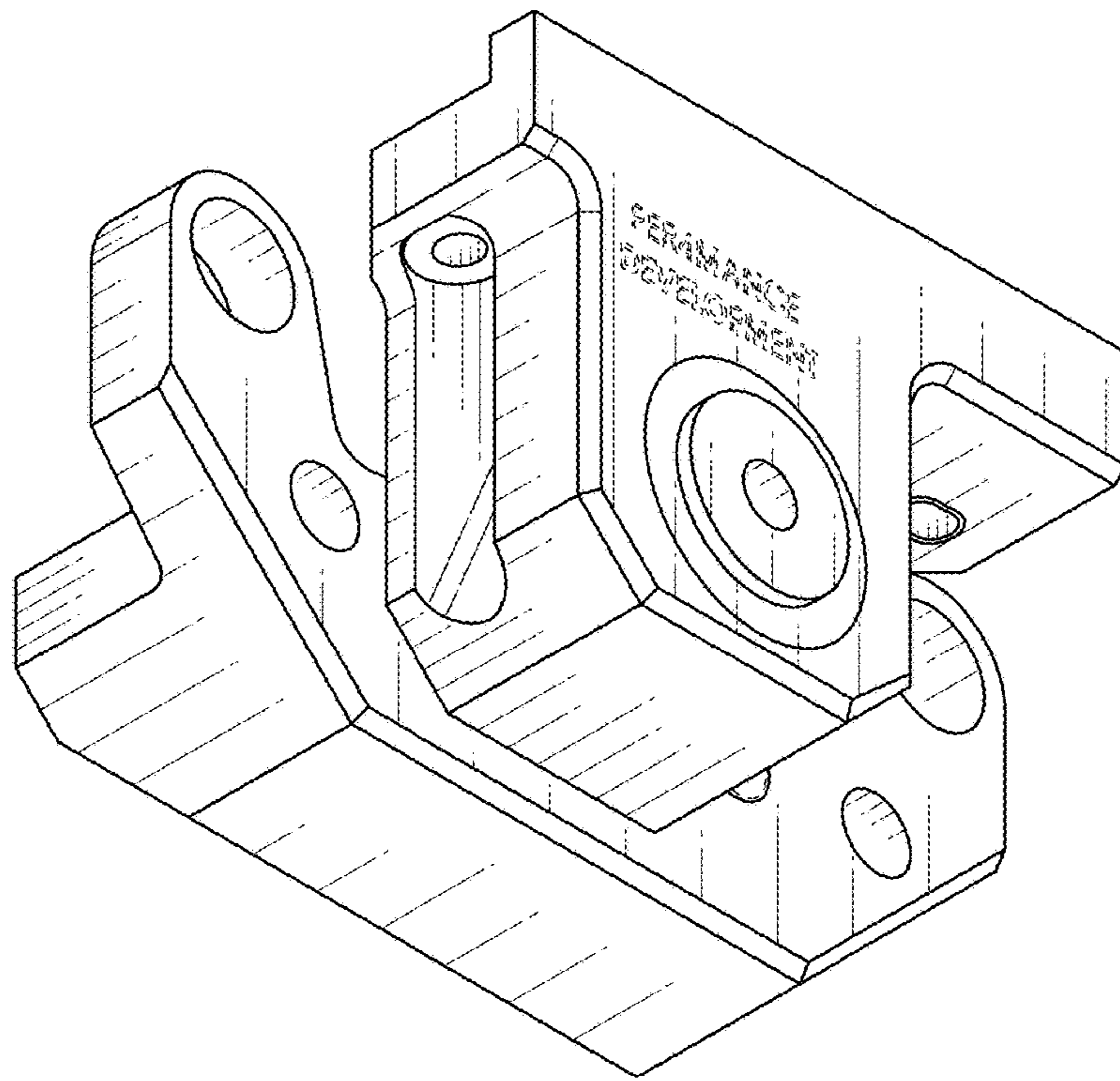


FIG. 10