



US00D867258S

(12) **United States Design Patent**
Wheel

(10) **Patent No.:** **US D867,258 S**

(45) **Date of Patent:** **** Nov. 19, 2019**

(54) **WHEEL**

(71) Applicant: **Jaguar Land Rover Limited**, Whitley
Coventry (GB)

(72) Inventor: **Andrew Wheel**, Whitley Coventry
(GB)

(73) Assignee: **Jaguar Land Rover Limited**, Whitley,
Coventry (GB)

(**) Term: **15 Years**

(21) Appl. No.: **29/682,274**

(22) Filed: **Mar. 4, 2019**

Related U.S. Application Data

(62) Division of application No. 29/603,244, filed on May
8, 2017, now Pat. No. Des. 844,528.

(30) **Foreign Application Priority Data**

Nov. 11, 2016 (EM) 003459288-0001

(51) **LOC (12) Cl.** **12-16**

(52) **U.S. Cl.**
USPC **D12/211**

(58) **Field of Classification Search**

USPC D12/204–213; D21/533, 561, 563
CPC B60B 7/00; B60B 7/02; B60B 7/04; B60B
7/06; B60B 3/02; B60B 3/04; B60B 3/06;
B60B 3/10; B60B 1/00; B60B 1/08;
B60B 1/10; B60B 1/12

See application file for complete search history.

(56) **References Cited**

U.S. PATENT DOCUMENTS

D727,822 S * 4/2015 Wheel D12/209
D734,233 S * 7/2015 Wheel D12/209

D740,734 S * 10/2015 Wheel D12/209
D745,842 S * 12/2015 Wheel D12/209
D752,499 S * 3/2016 Sze D12/211
D759,565 S * 6/2016 Cybulski D12/209
D764,373 S * 8/2016 Valencia Pollex D12/211
D774,440 S * 12/2016 Johnson D12/211
D781,762 S * 3/2017 Setter D12/209
D798,216 S * 9/2017 Snyder D12/211
D806,633 S * 1/2018 Setter D12/211
D844,528 S * 4/2019 Wheel D12/209
D850,347 S * 6/2019 Yoneyama D12/209

* cited by examiner

Primary Examiner — Sheryl Lane

Assistant Examiner — Calvin E Vansant

(74) *Attorney, Agent, or Firm* — Wood Herron & Evans
LLP

(57) **CLAIM**

The ornamental design for a wheel, as shown and described.

DESCRIPTION

FIG. 1 is a front left perspective view of a wheel for a vehicle
according to the present invention.

FIG. 2 is a front right perspective view of the wheel shown
in FIG. 1

FIG. 3 is a front view thereof.

FIG. 4 is a left side view thereof, the right side being a mirror
image thereof.

FIG. 5 is a rear view thereof.

FIG. 6 is a rear right perspective view thereof; and,

FIG. 7 is a rear left perspective view thereof.

In FIGS. 1, 2, 3, 6, and 7, the broken lines show environ-
mental structure, namely an air valve hole, and form no part
of the claimed design.

1 Claim, 5 Drawing Sheets

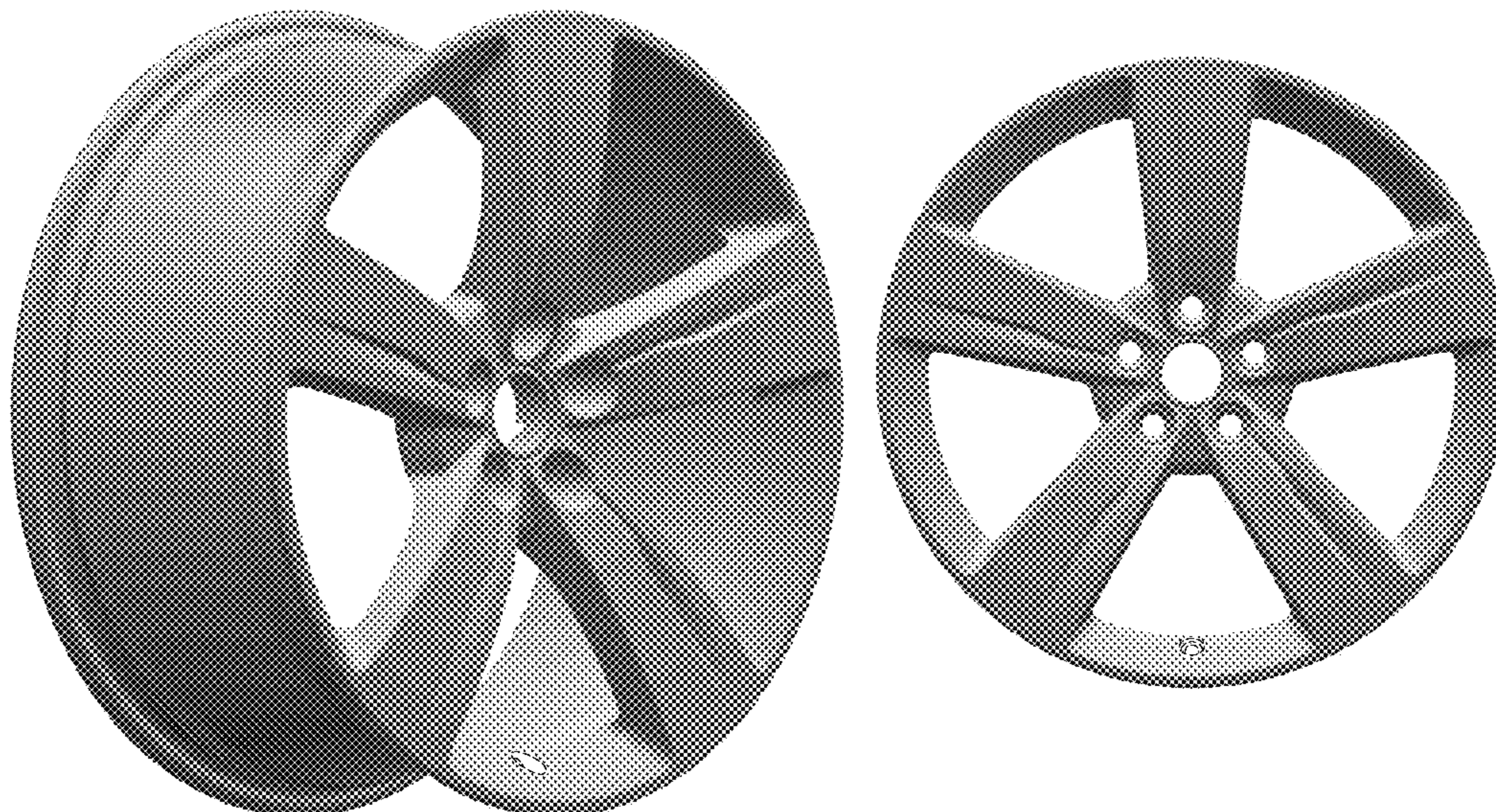




FIG. 1



FIG. 2



FIG. 3

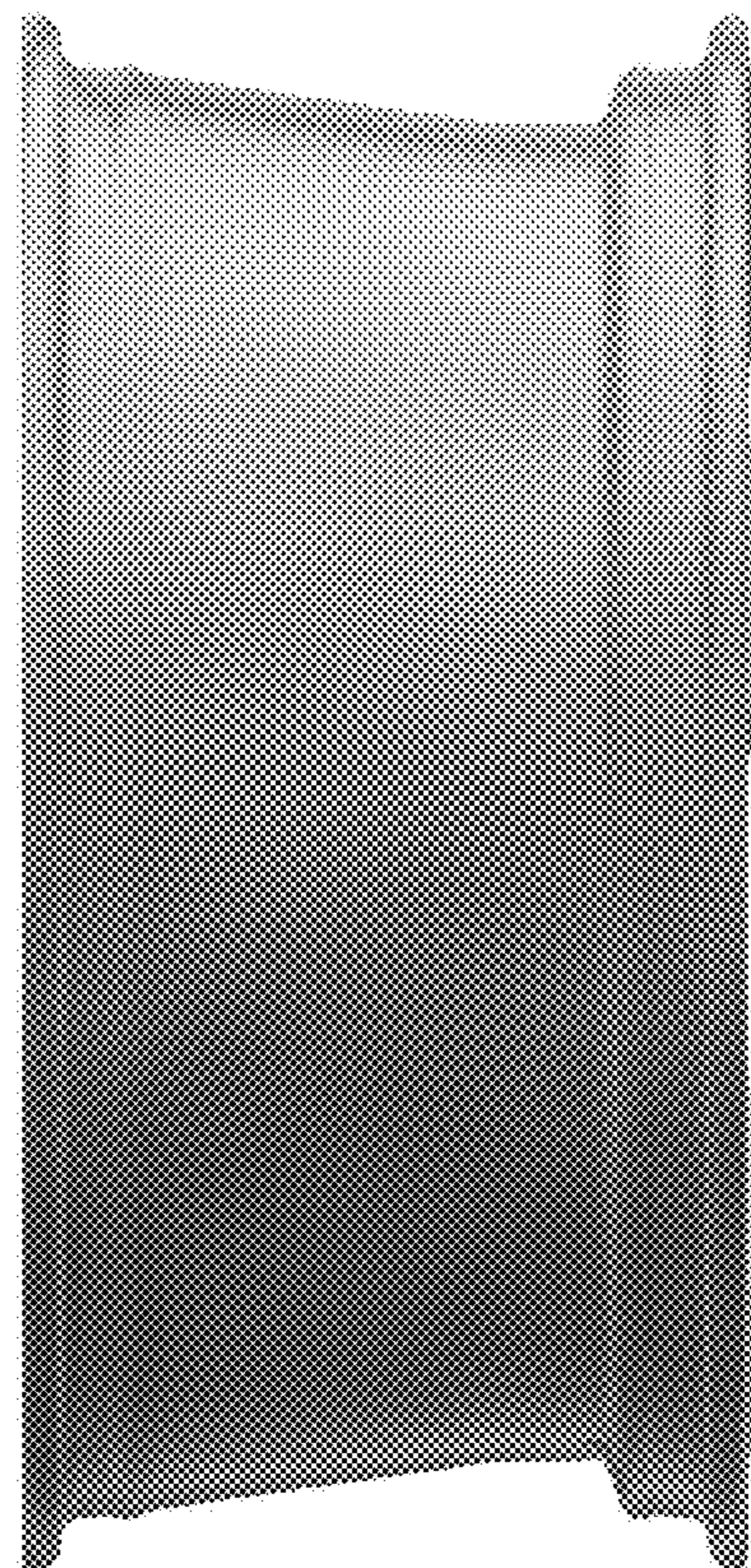


FIG. 4



FIG. 5

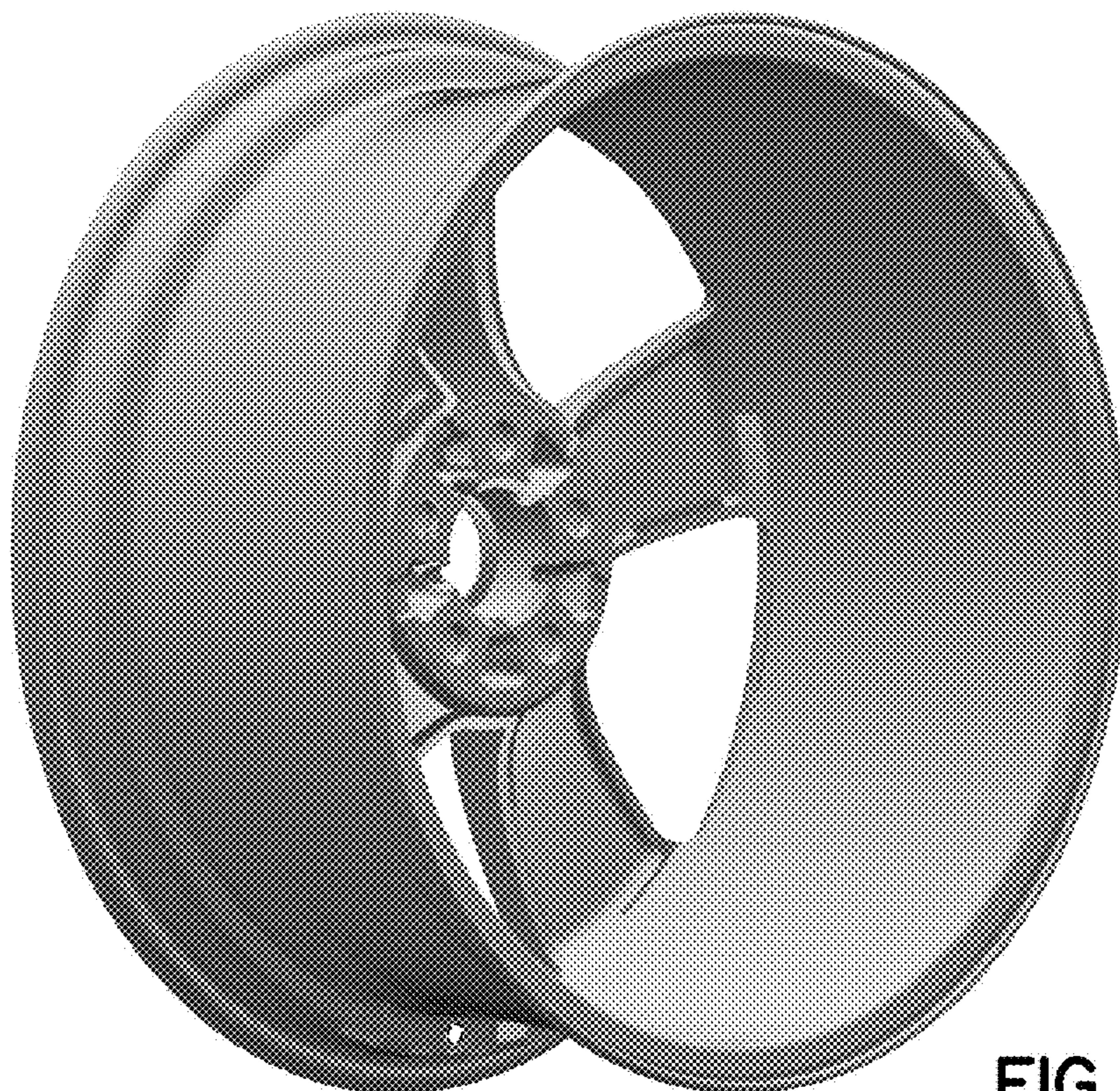


FIG. 6



FIG. 7