



US00D867257S

(12) **United States Design Patent**
Battams

(10) **Patent No.:** **US D867,257 S**

(45) **Date of Patent:** **** Nov. 19, 2019**

(54) **WHEEL**

(71) Applicant: **Jaguar Land Rover Limited**, Whitley
Coventry (GB)

(72) Inventor: **Robert Battams**, Coventry (GB)

(73) Assignee: **Jaguar Land Rover Limited**, Whitley,
Coventry (GB)

(**) Term: **15 Years**

(21) Appl. No.: **29/684,598**

(22) Filed: **Mar. 22, 2019**

Related U.S. Application Data

(62) Division of application No. 29/622,358, filed on Oct.
17, 2017, now Pat. No. Des. 848,335.

(30) **Foreign Application Priority Data**

Apr. 21, 2017 (EM) 003866789

(51) **LOC (12) Cl.** **12-16**

(52) **U.S. Cl.**
USPC **D12/209**

(58) **Field of Classification Search**

USPC D12/204-213; D21/533, 561, 563
CPC B60B 7/00; B60B 7/02; B60B 7/04; B60B
7/06; B60B 3/02; B60B 3/04; B60B 3/06;
B60B 3/10; B60B 1/00; B60B 1/08;
B60B 1/10; B60B 1/12

See application file for complete search history.

(56) **References Cited**

U.S. PATENT DOCUMENTS

D522,433 S * 6/2006 Szavits D12/209
D752,496 S * 3/2016 Smith D12/209
D754,047 S * 4/2016 Frascella D12/209
D775,044 S * 12/2016 Smith D12/209

D775,574 S * 1/2017 Maher D12/209
D780,083 S * 2/2017 Wheel D12/209
D784,233 S * 4/2017 Hejtmanek D12/209
D790,421 S * 6/2017 Grewer D12/209
D805,989 S * 12/2017 Grewer D12/209
D825,424 S * 8/2018 Setter D12/209
D848,335 S * 5/2019 Battams D12/209
D848,925 S * 5/2019 Myrberg D12/209

(Continued)

Primary Examiner — Sheryl Lane

Assistant Examiner — Calvin E Vansant

(74) *Attorney, Agent, or Firm* — Wood Herron & Evans
LLP

(57) **CLAIM**

The ornamental design for a wheel, as shown and described.

DESCRIPTION

FIG. 1 is a front left perspective view of a wheel for a vehicle
according to the present invention.

FIG. 2 is a front right perspective view of the wheel shown
in FIG. 1.

FIG. 3 is a front view thereof.

FIG. 4 is a left side view thereof, the right side view being
a mirror image thereof.

FIG. 5 is a rear view thereof.

FIG. 6 is a rear right perspective view thereof.

FIG. 7 is a rear left perspective view thereof.

FIG. 8 is a front left perspective view of a wheel for a vehicle
according to an alternative embodiment of the present
invention.

FIG. 9 is a front right perspective view of the wheel shown
in FIG. 8.

FIG. 10 is a front view thereof.

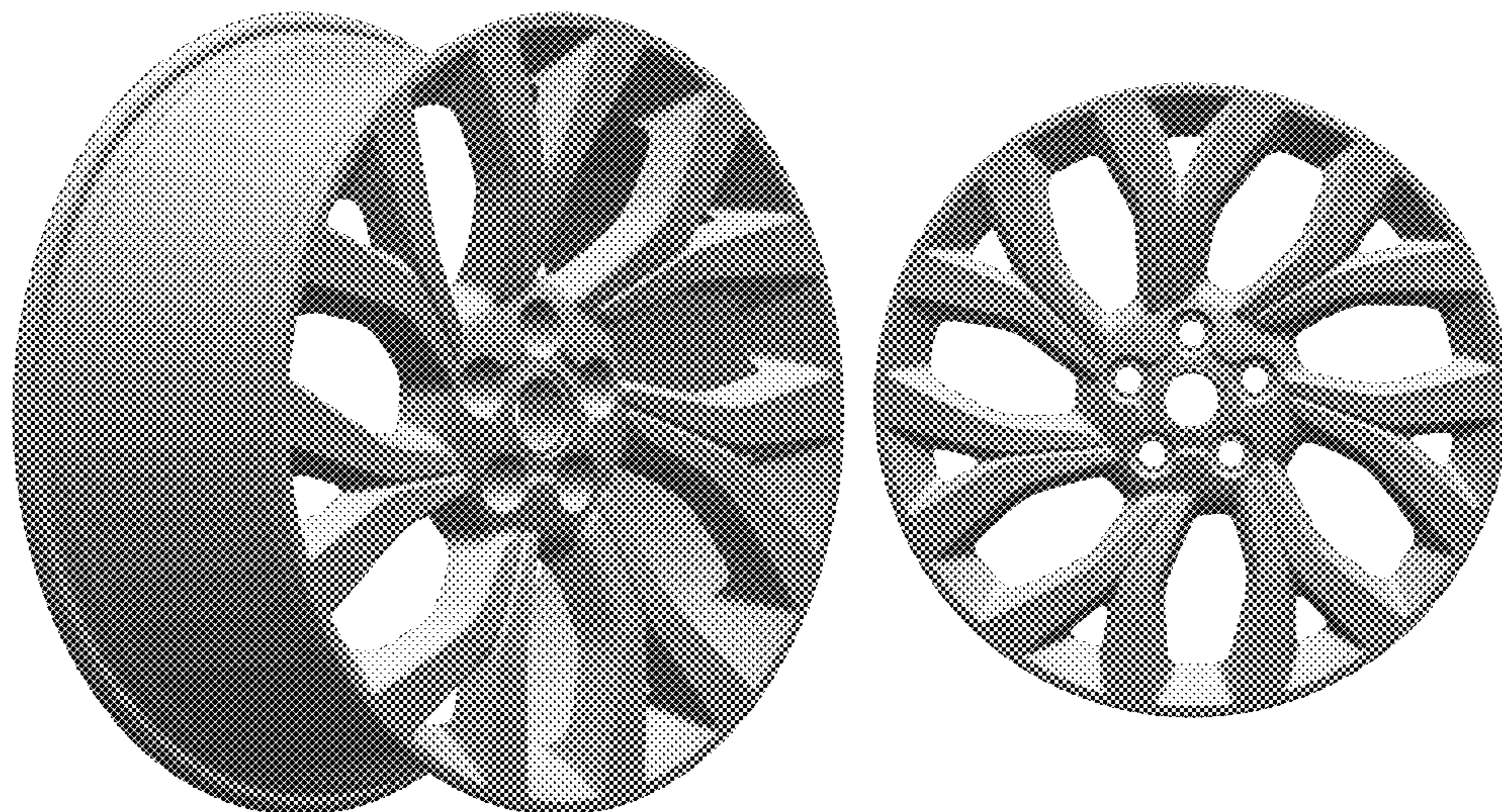
FIG. 11 is a left side view thereof, the right side view being
a mirror image thereof.

FIG. 12 is a rear view thereof.

FIG. 13 is a rear right perspective view thereof; and,

FIG. 14 is a rear left perspective view thereof.

1 Claim, 10 Drawing Sheets



(56)

References Cited

U.S. PATENT DOCUMENTS

D850,348 S * 6/2019 Smith D12/209
D852,705 S * 7/2019 Smith D12/209

* cited by examiner



FIG. 1



FIG. 2

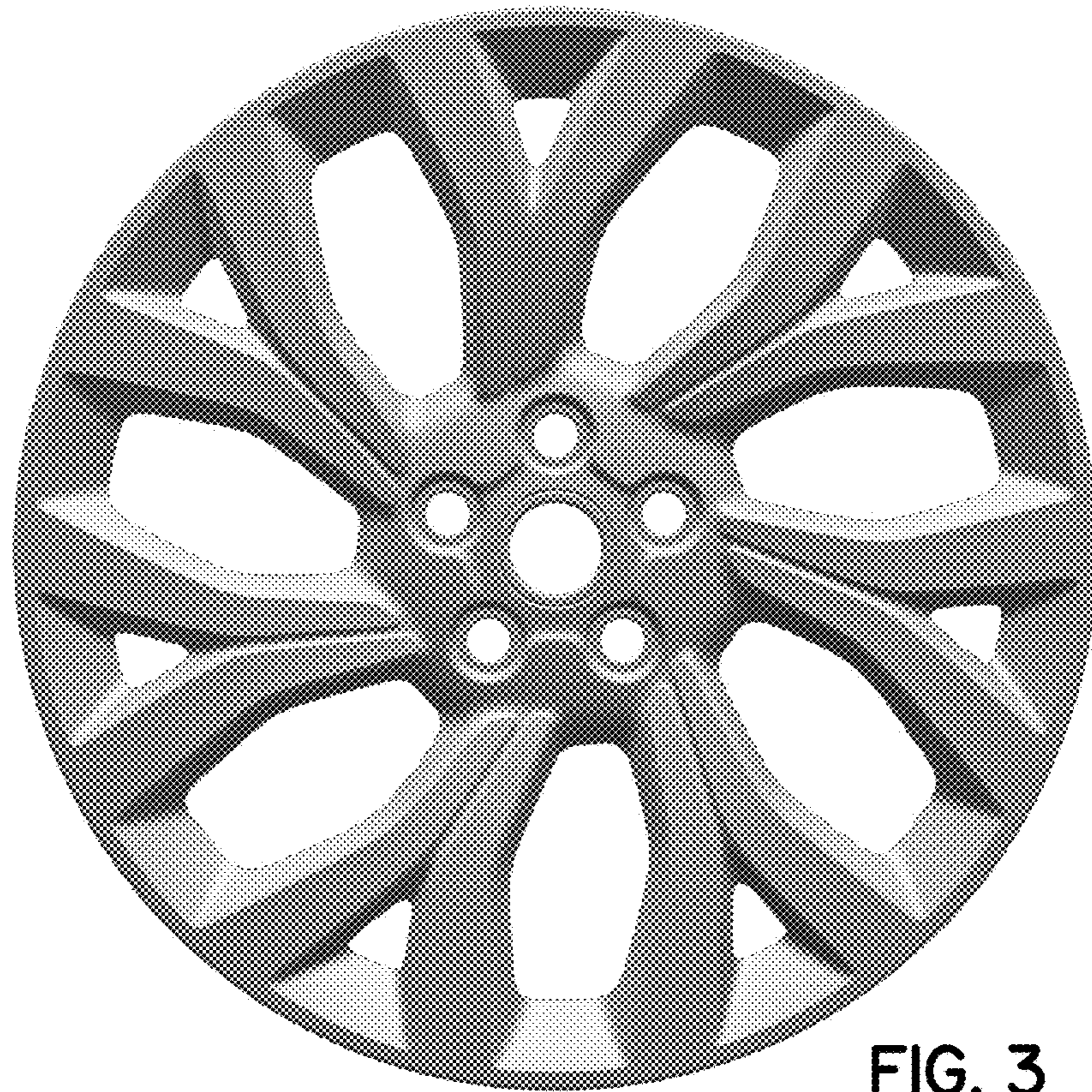


FIG. 3

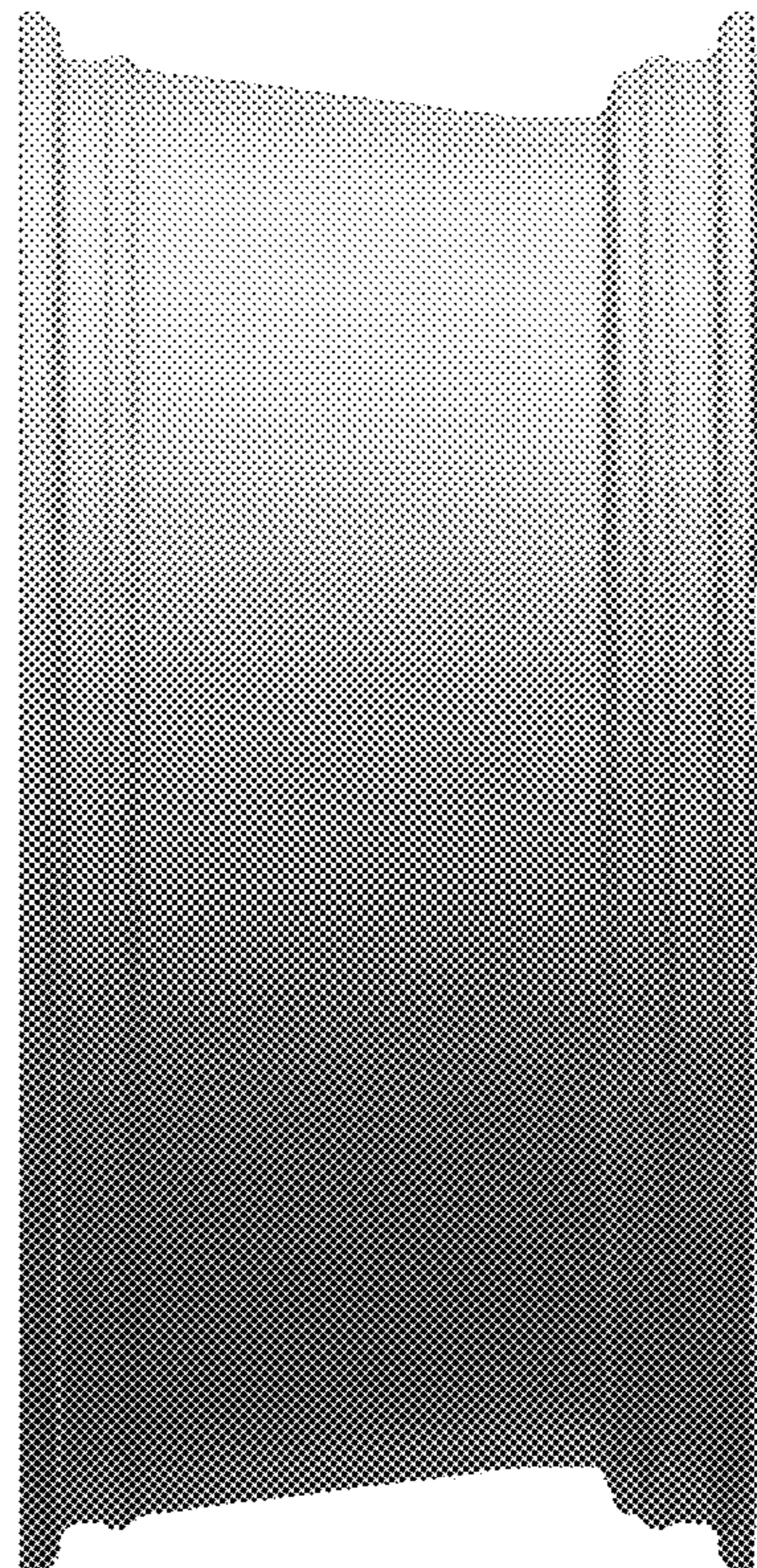


FIG. 4



FIG. 5



FIG. 6



FIG. 7



FIG. 8



FIG. 9



FIG. 10

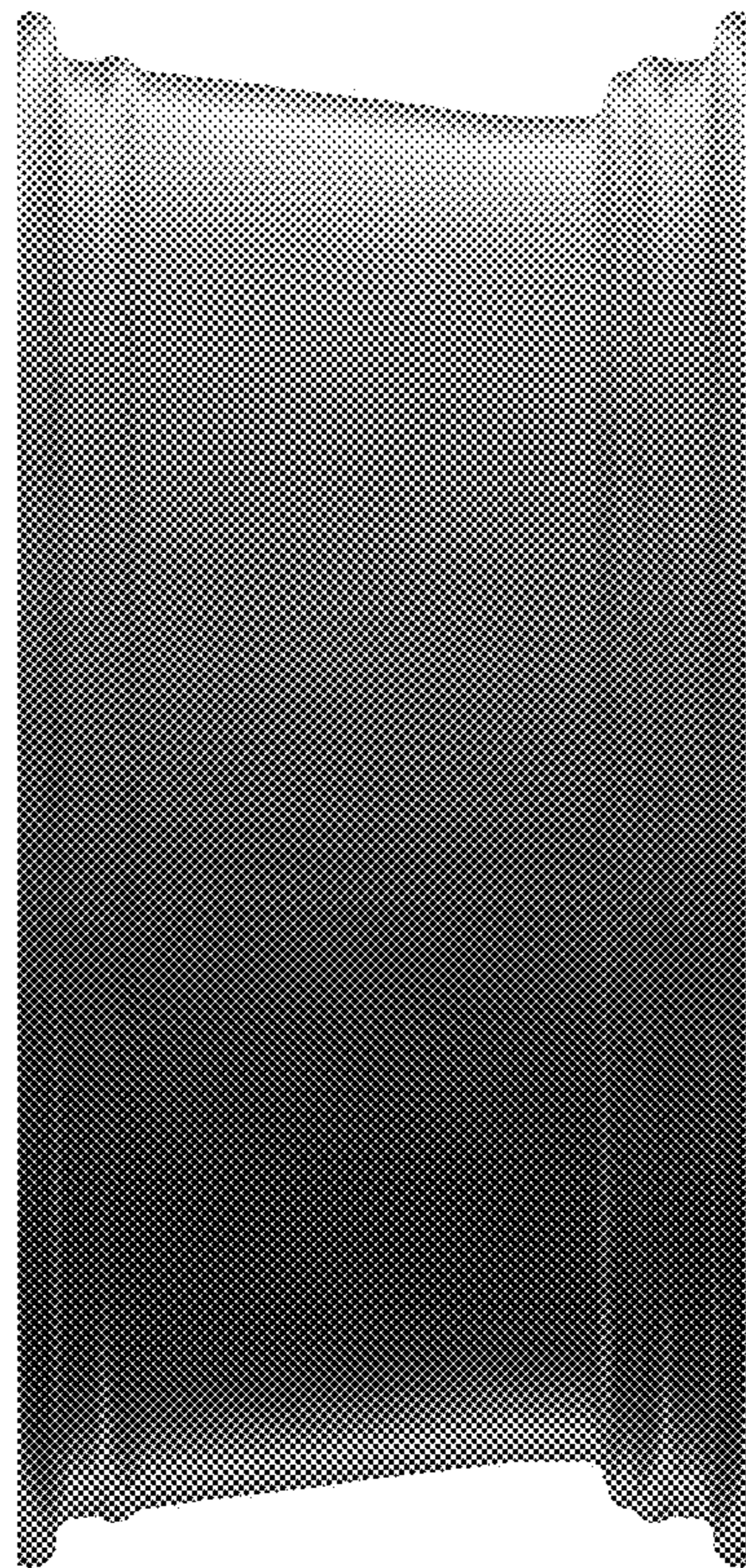


FIG. 11



FIG. 12



FIG. 13



FIG. 14