



US00D867253S

(12) **United States Design Patent**  
**Smock et al.**

(10) **Patent No.:** **US D867,253 S**

(45) **Date of Patent:** **\*\* Nov. 19, 2019**

(54) **WHEEL**

(71) Applicant: **HONDA MOTOR CO., LTD.**, Tokyo (JP)

(72) Inventors: **Randall Smock**, Redondo Beach, CA (US); **Lili Melikian**, Sun Valley, CA (US)

(73) Assignee: **HONDA MOTOR CO., LTD.**, Tokyo (JP)

(\*\*) Term: **15 Years**

(21) Appl. No.: **29/622,669**

(22) Filed: **Oct. 18, 2017**

(51) **LOC (12) Cl.** ..... **12-16**

(52) **U.S. Cl.**  
USPC ..... **D12/209**

(58) **Field of Classification Search**  
USPC ..... D12/204–213  
CPC .... B60B 7/00; B60B 7/02; B60B 7/04; B60B 7/01; B60B 7/06; B60B 3/02; B60B 3/04; B60B 3/06; B60B 3/10; B60B 1/00; B60B 1/08; B60B 1/10; B60B 1/12  
See application file for complete search history.

(56) **References Cited**

**U.S. PATENT DOCUMENTS**

D537,026 S *	2/2007	Nordmann	.....	D12/209
D587,177 S *	2/2009	Scheu	.....	D12/209
D593,474 S *	6/2009	Flueckiger	.....	D12/209
D608,713 S *	1/2010	Bucher	.....	D12/209
D613,657 S *	4/2010	Cortes	.....	D12/209
D625,675 S *	10/2010	Juergens	.....	D12/209
D626,052 S *	10/2010	Majdandzic	.....	D12/209
D631,813 S *	2/2011	Nissl	.....	D12/209
D639,225 S *	6/2011	Forschner	.....	D12/211
D651,956 S *	1/2012	Ectors	.....	D12/209
D654,843 S *	2/2012	Futschik	.....	D12/211

D660,770 S *	5/2012	Mueller-Stolz	.....	D12/211
D669,833 S *	10/2012	Pollmann	.....	D12/209
D670,630 S *	11/2012	Flueckiger	.....	D12/209
D673,098 S *	12/2012	Fetherston	.....	D12/211
D673,104 S *	12/2012	Lemke	.....	D12/211
D686,965 S *	7/2013	Pollmann	.....	D12/211
D688,182 S *	8/2013	Gotschke	.....	D12/209
D705,152 S *	5/2014	Nakamura	.....	D12/209
D713,313 S *	9/2014	Stucki	.....	D12/209
D739,324 S *	9/2015	Mueller-Stolz	.....	D12/209
D744,402 S *	12/2015	Watkin	.....	D12/211
D748,030 S *	1/2016	Heizmann	.....	D12/209
D764,999 S *	8/2016	Song	.....	D12/209
D786,767 S *	5/2017	Bjerke	.....	D12/209
D789,866 S *	6/2017	Giolito	.....	D12/211
D796,411 S *	9/2017	Chung	.....	D12/211

(Continued)

*Primary Examiner* — Stacia A Cadmus

(74) *Attorney, Agent, or Firm* — Arent Fox LLP

(57) **CLAIM**

The ornamental design for a wheel, as shown and described.

**DESCRIPTION**

FIG. 1 is a front left perspective view of a wheel showing our new design;

FIG. 2 is a rear left perspective view of the design shown in FIG. 1;

FIG. 3 is a rear right perspective view of the design shown in FIG. 1;

FIG. 4 is a front view of the design shown in FIG. 1;

FIG. 5 is a rear view of the design shown in FIG. 1;

FIG. 6 is a left side view of the design shown in FIG. 1;

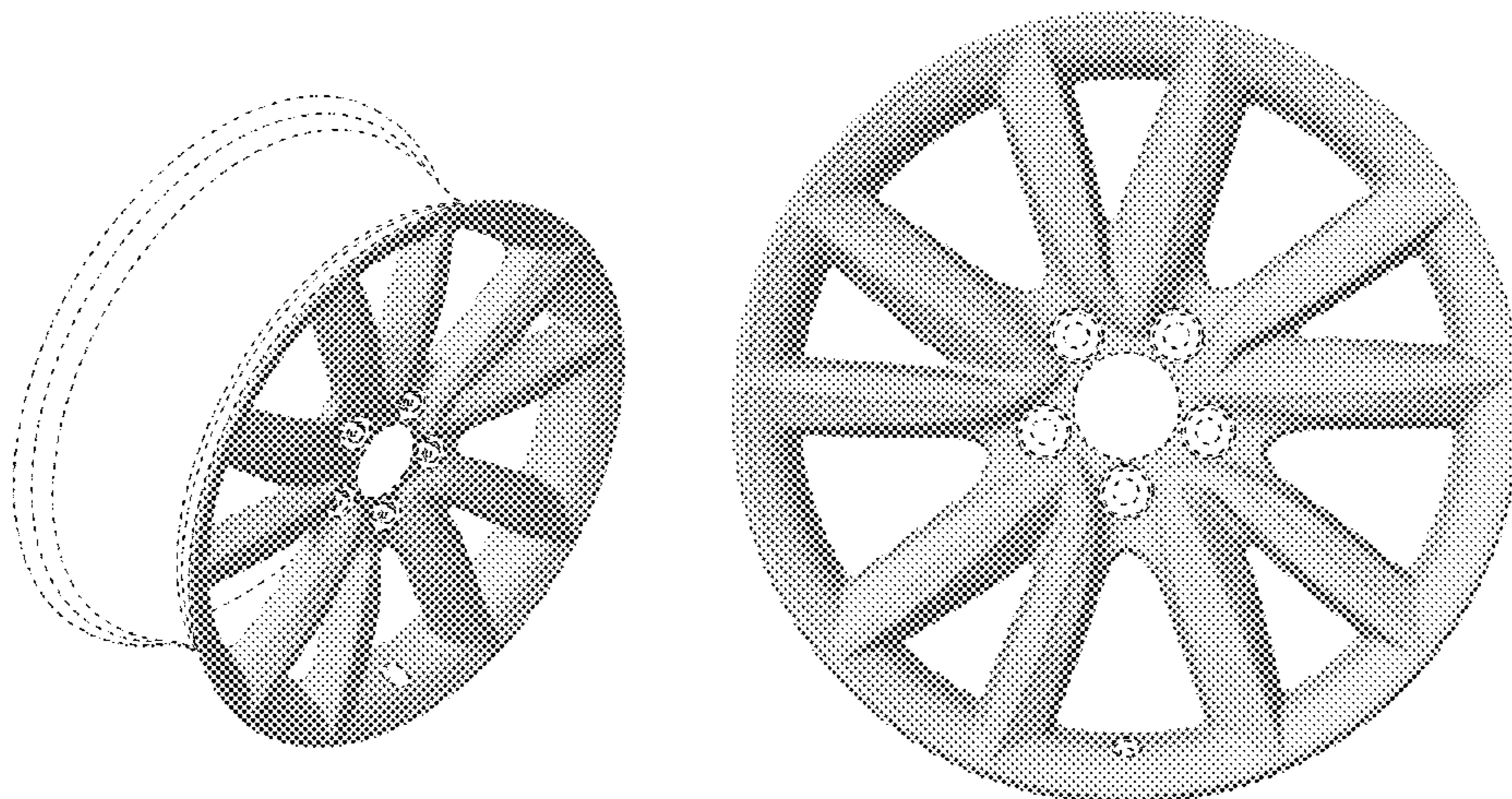
FIG. 7 is a right side view of the design shown in FIG. 1;

FIG. 8 is a top view of the design shown in FIG. 1; and,

FIG. 9 is a bottom view of the design shown in FIG. 1.

The broken lines shown in the figures are included for the purpose of illustrating portions of the wheel and form no part of the claimed design.

**1 Claim, 9 Drawing Sheets**



(56)

**References Cited**

U.S. PATENT DOCUMENTS

D808,326 S \* 1/2018 Chung ..... D12/211  
D843,916 S \* 3/2019 Wheel ..... D12/211  
D847,072 S \* 4/2019 Badstuebner ..... D12/209

\* cited by examiner

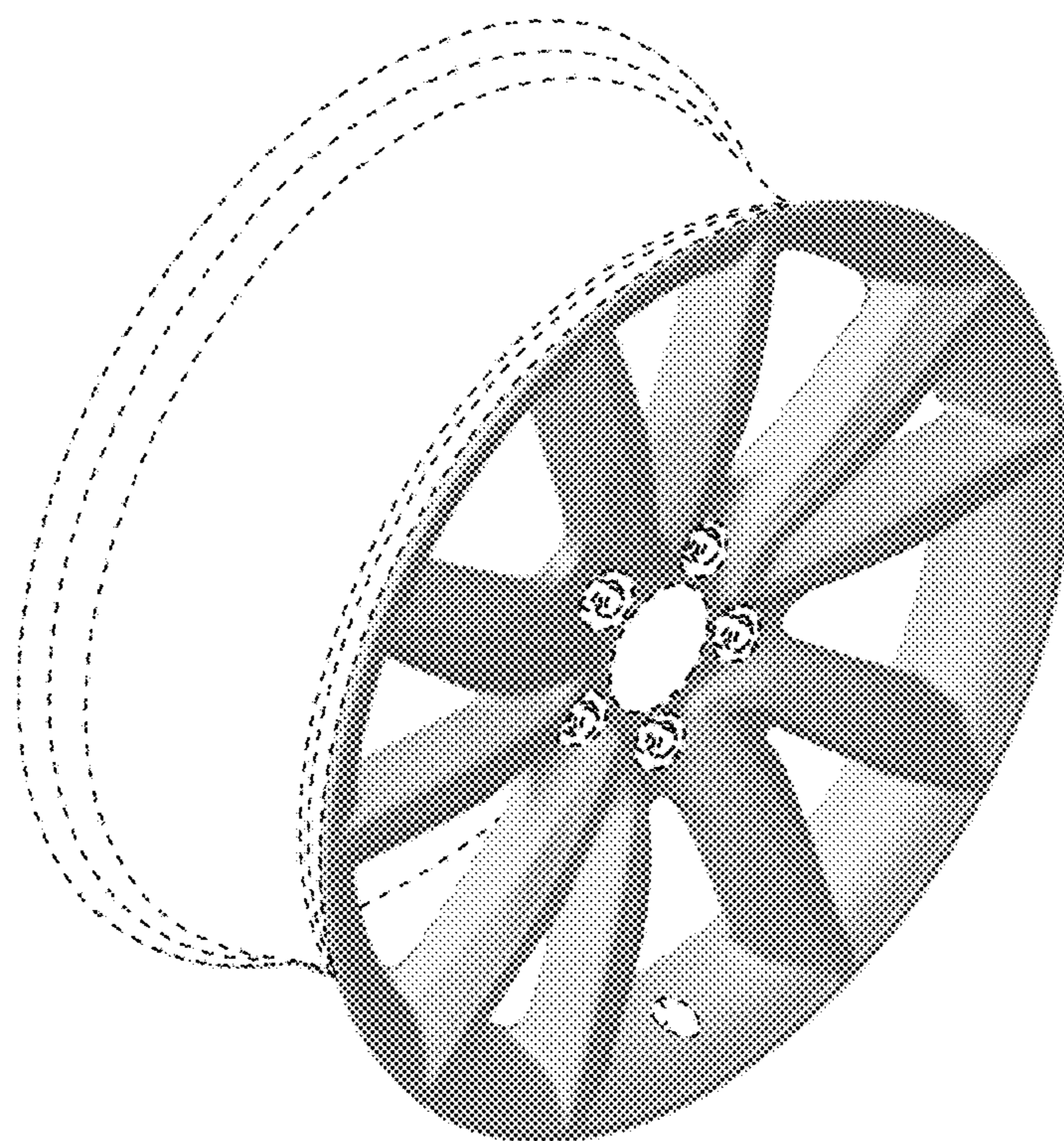


FIG. 1



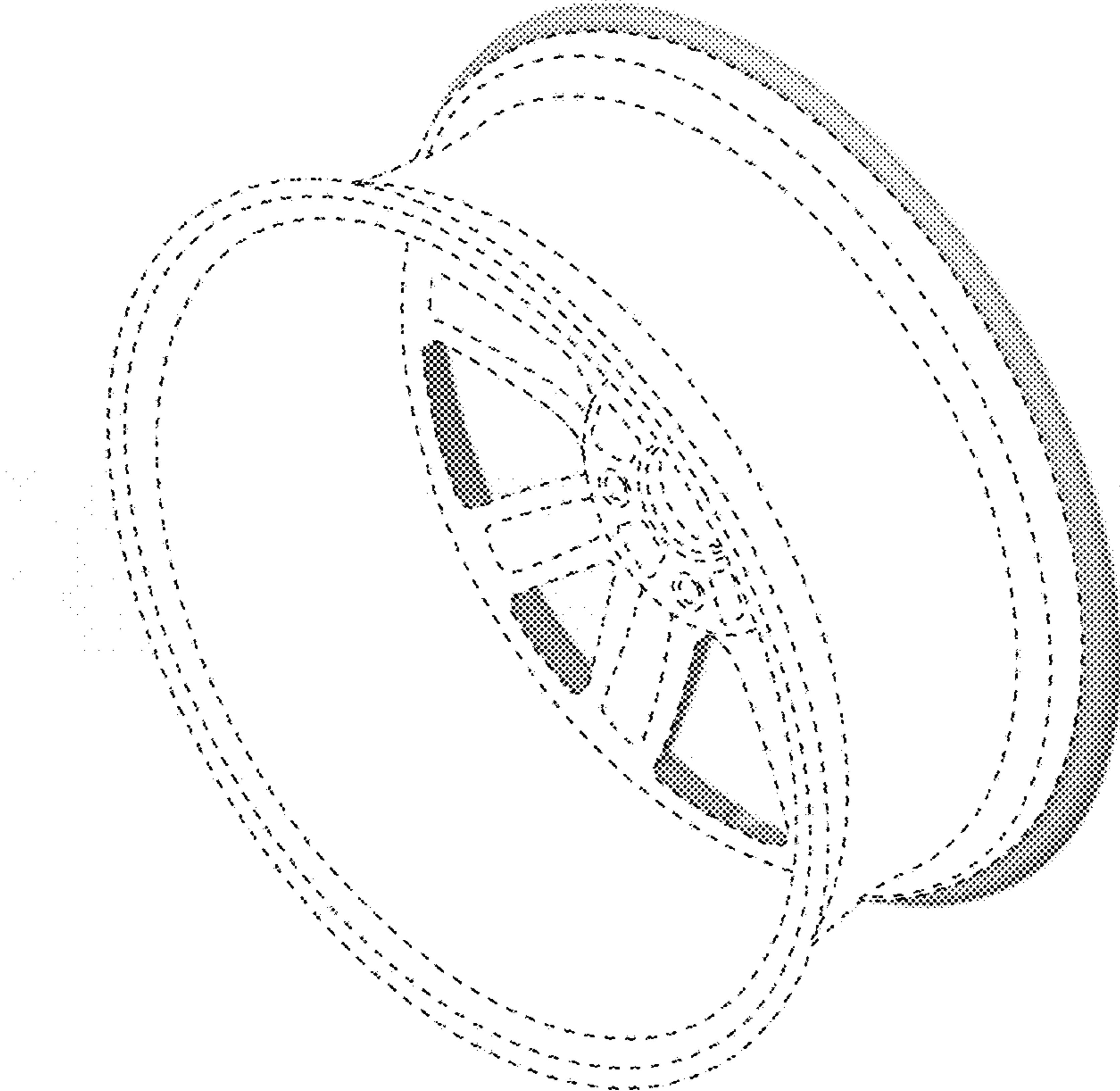


FIG. 2

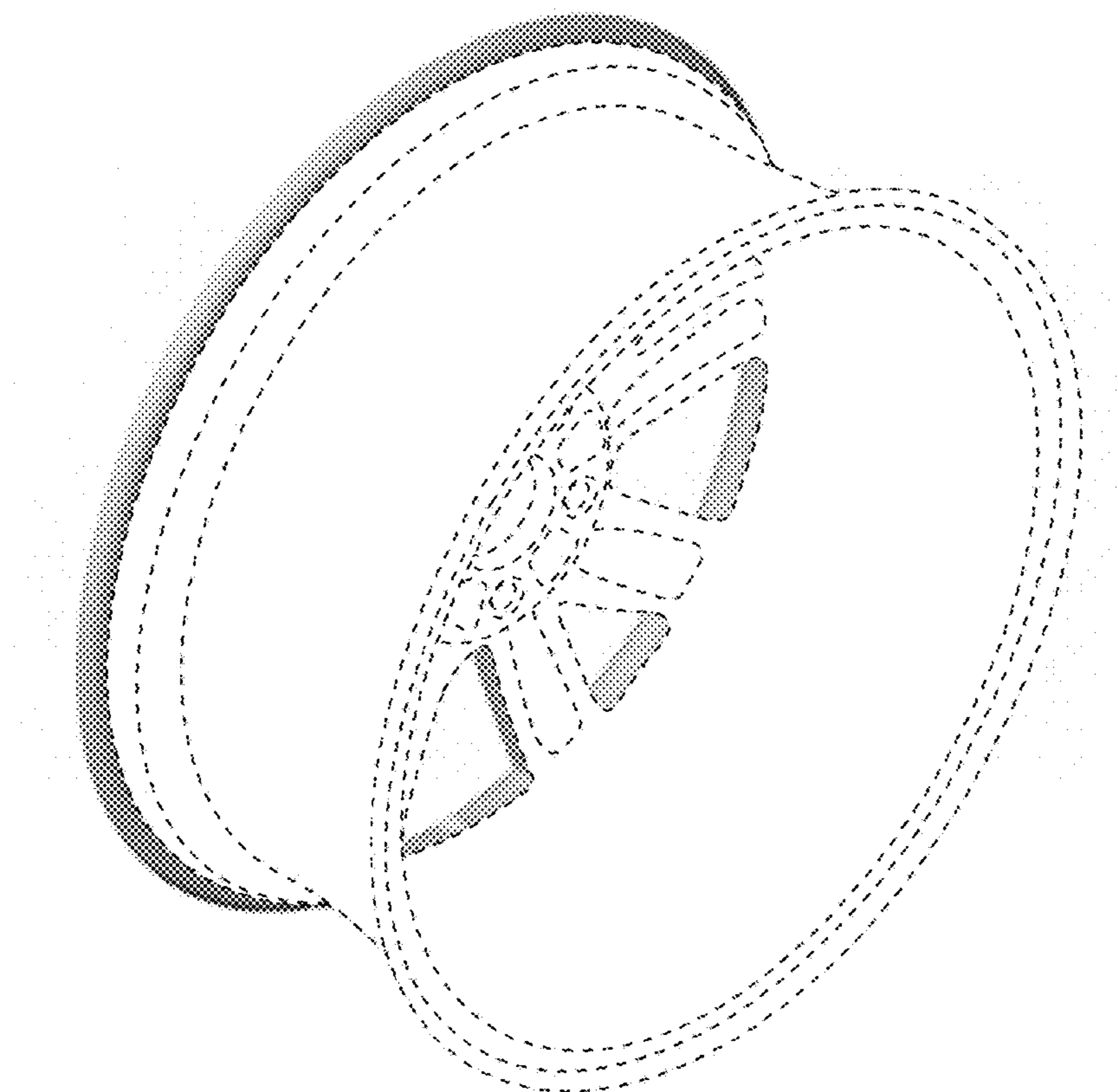


FIG. 3



FIG. 4

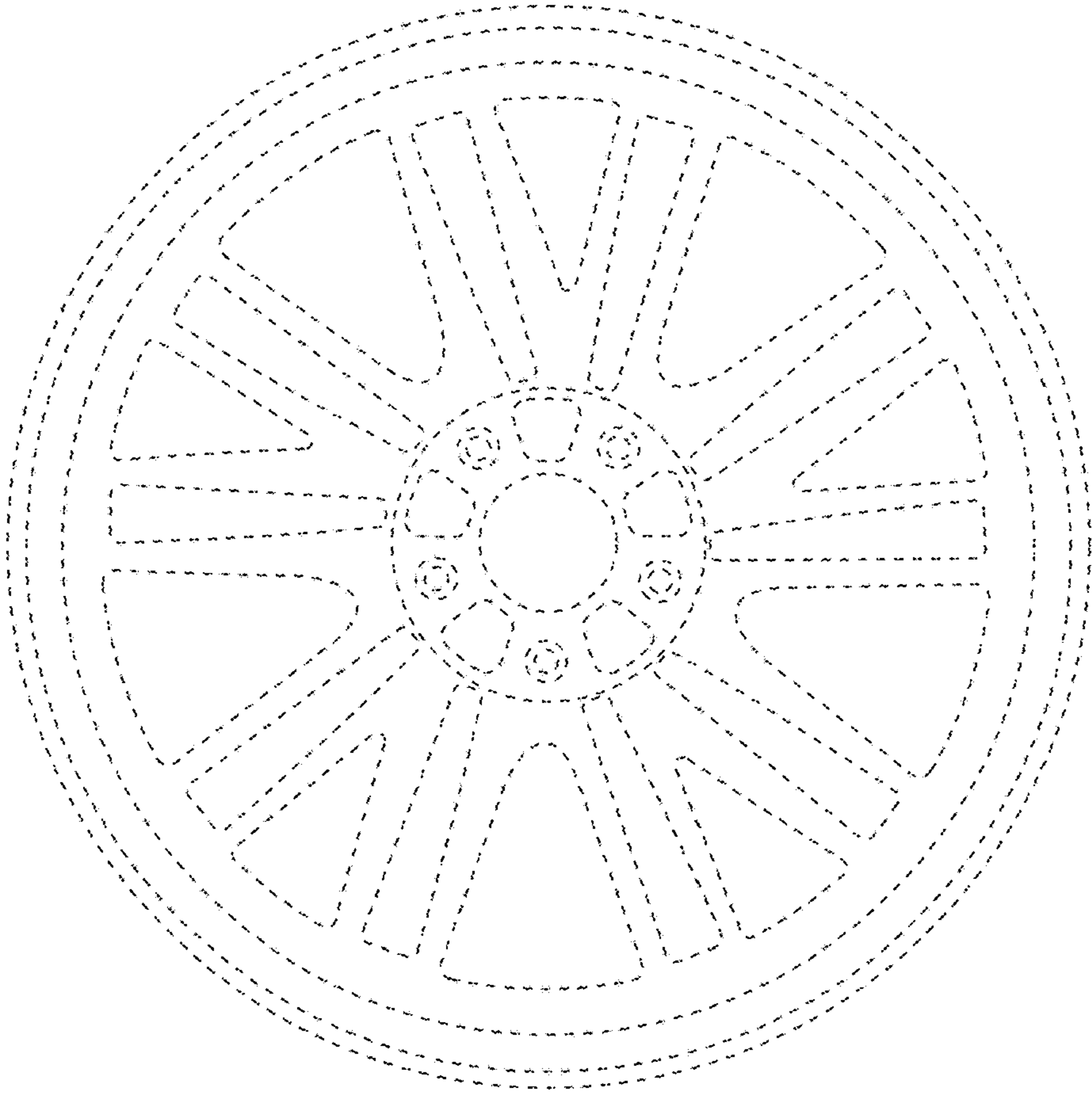


FIG. 5



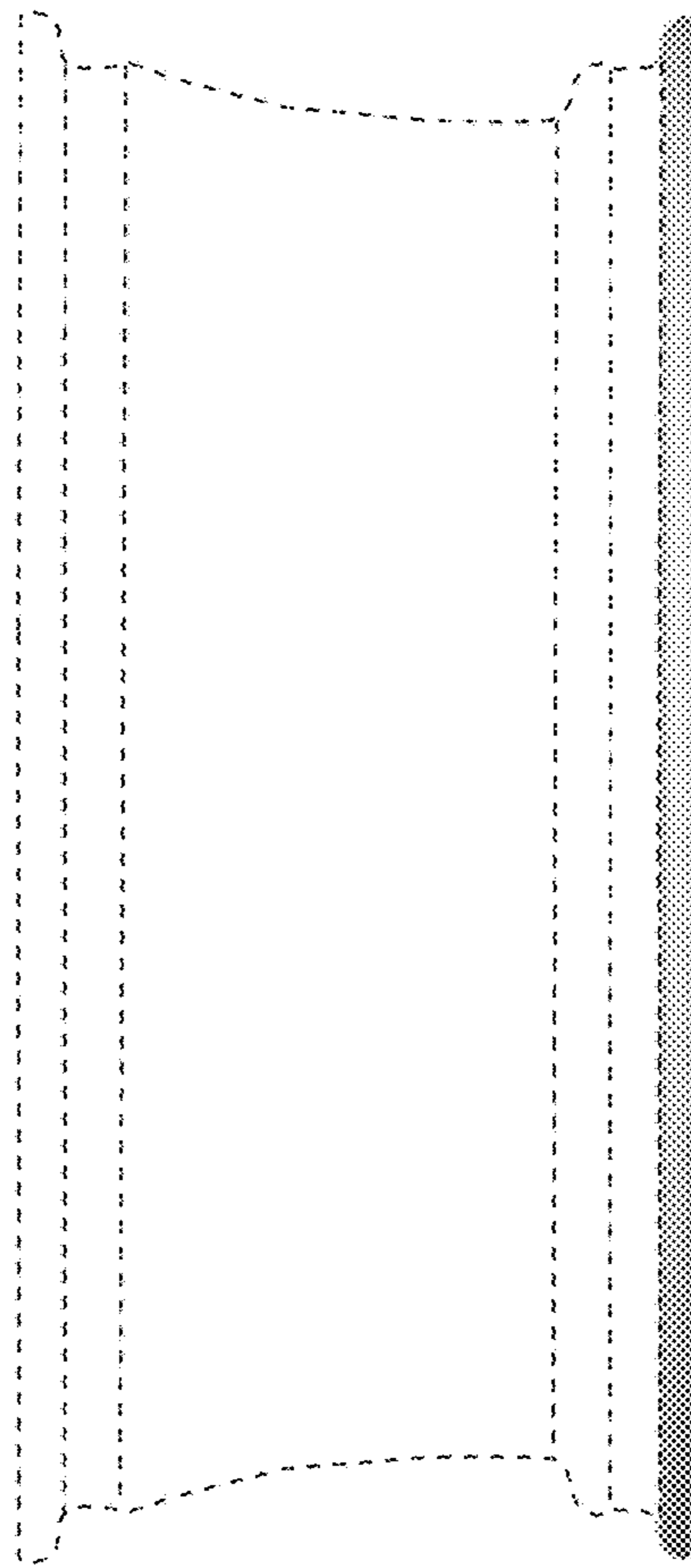


FIG. 6



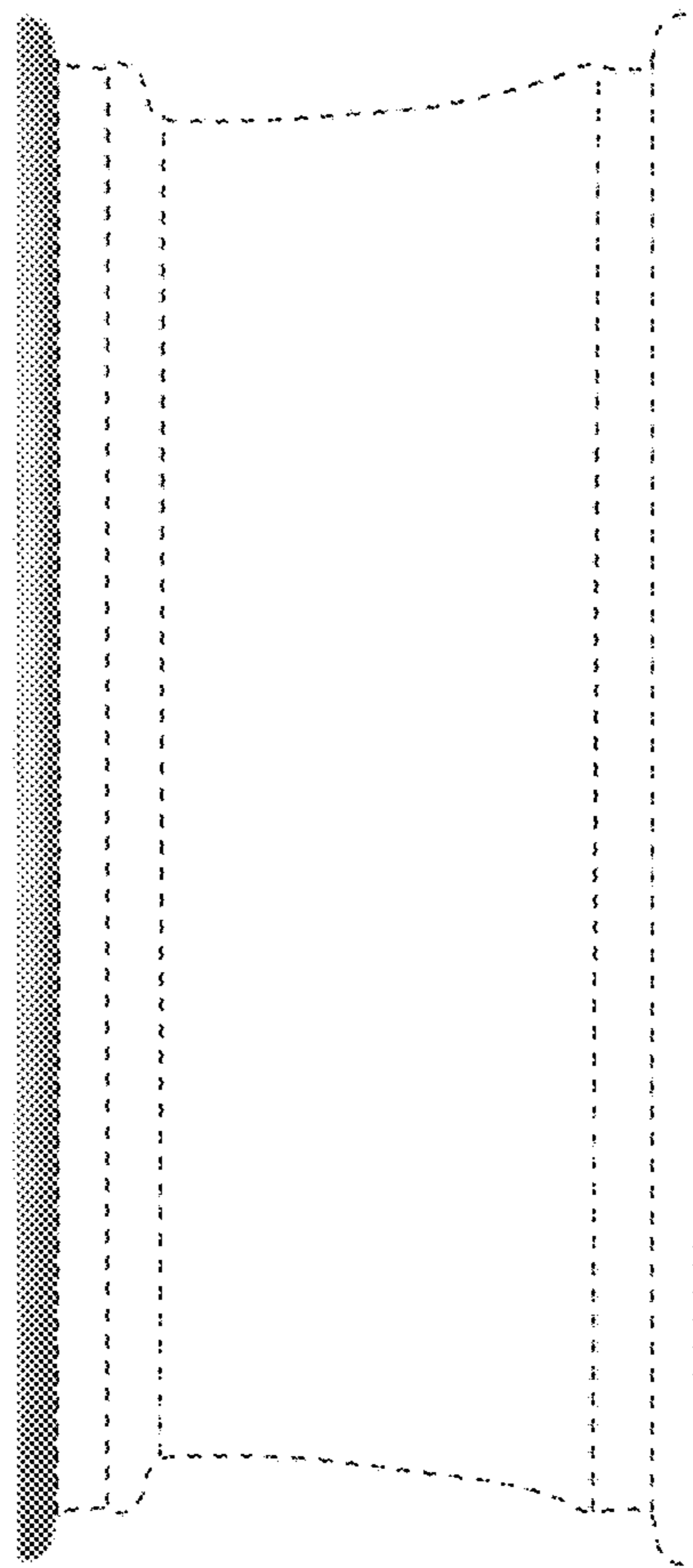


FIG. 7

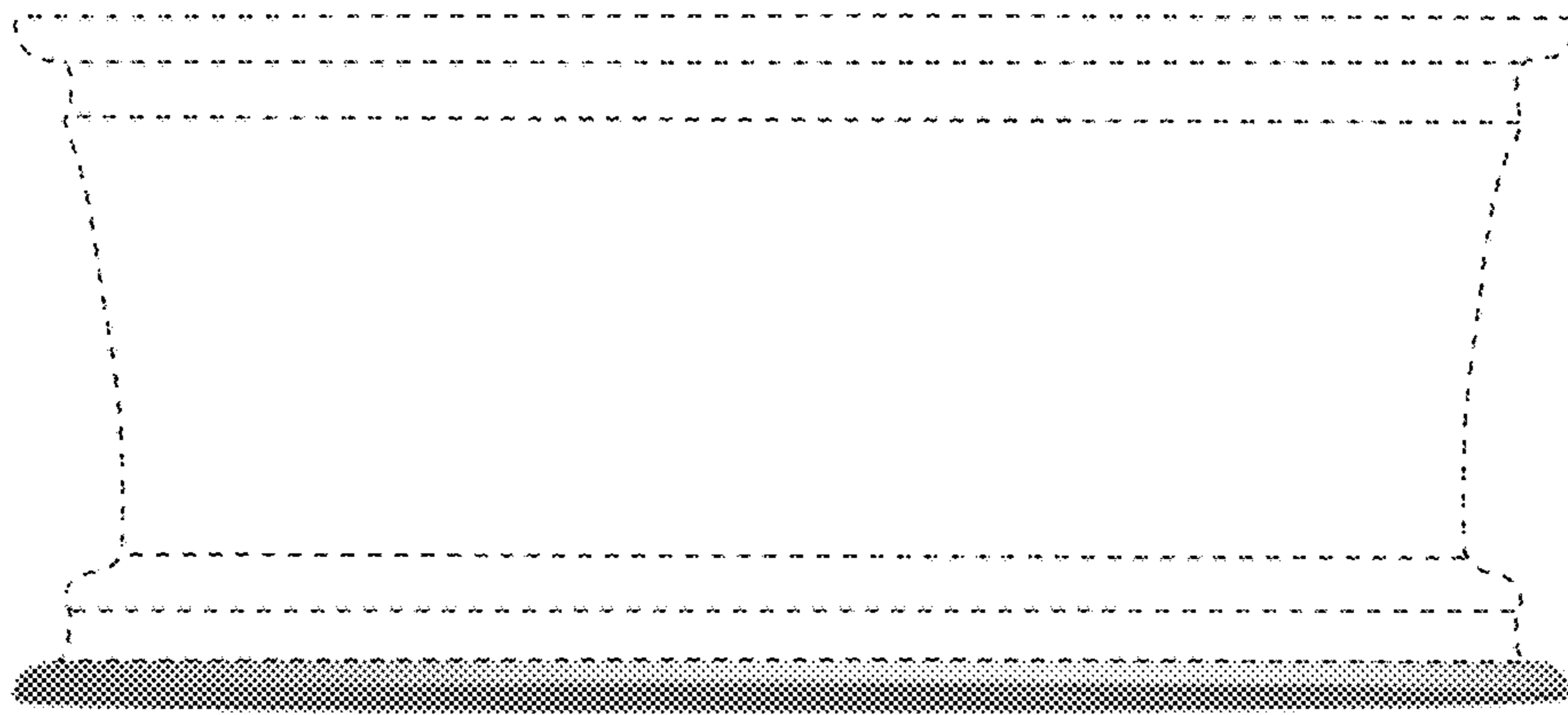


FIG. 8

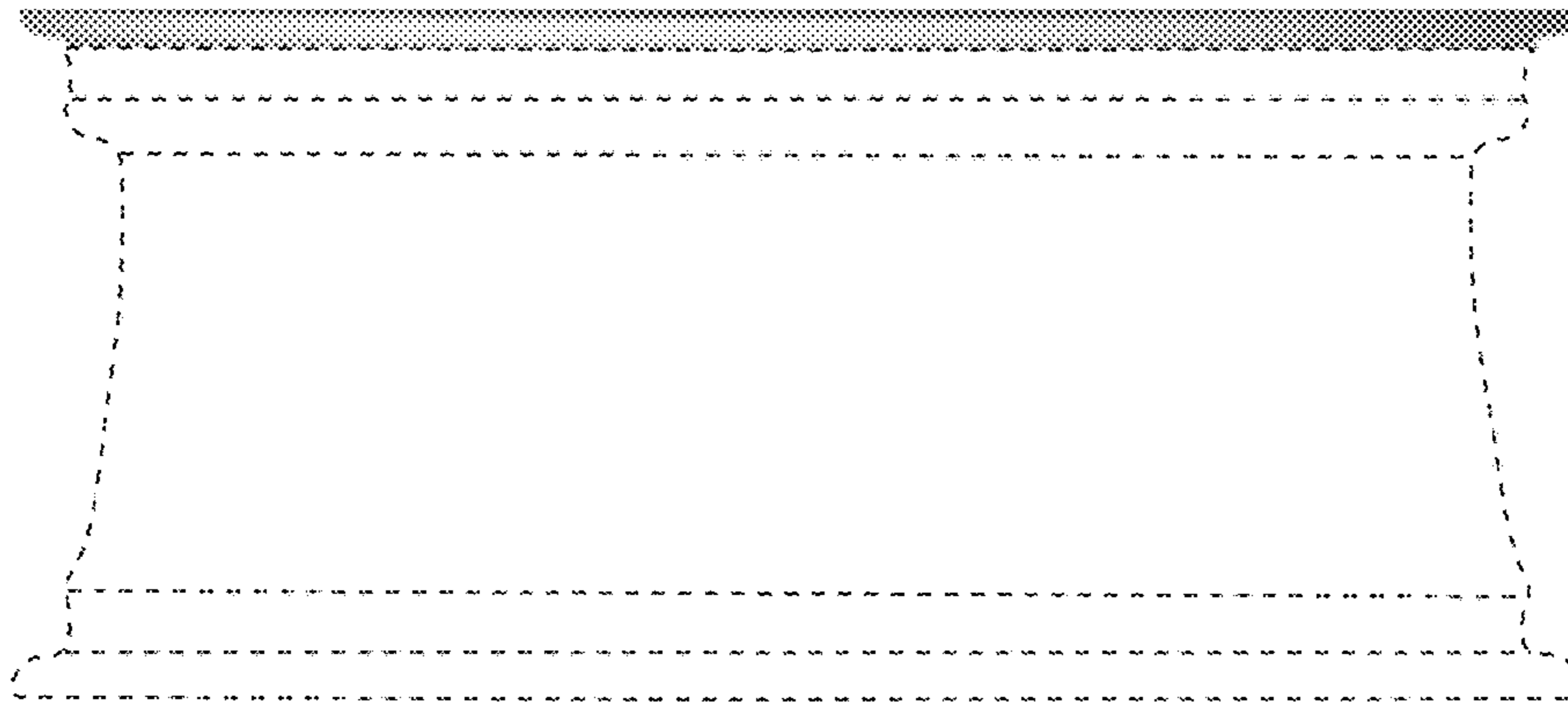


FIG. 9