

US00D867252S

(12) **United States Design Patent**  
**Lanini et al.**

(10) **Patent No.:** **US D867,252 S**

(45) **Date of Patent:** **\*\* Nov. 19, 2019**

(54) **RUNNING BOARD FOR VEHICLES**

(71) Applicant: **Westin Automotive Products, Inc.**,  
San Dimas, CA (US)

(72) Inventors: **Jeremy Lanini**, Alta Loma, CA (US);  
**Paul Zavala**, Glendora, CA (US); **Jose**  
**Eduardo Lopez Moctezuma**, Imperial,  
CA (US)

(73) Assignee: **Westin Automotive Products, Inc.**,  
San Dimas, CA (US)

(\*\*) Term: **15 Years**

(21) Appl. No.: **29/634,891**

(22) Filed: **Jan. 25, 2018**

(51) **LOC (12) Cl.** ..... **12-16**

(52) **U.S. Cl.**  
USPC ..... **D12/203**

(58) **Field of Classification Search**  
USPC ..... D12/203, 89, 98, 314, 162, 190, 196  
CPC .. B60R 3/002; B60R 3/02; B60R 3/00; B60R  
3/005; B60R 3/007  
See application file for complete search history.

(56) **References Cited**

**U.S. PATENT DOCUMENTS**

D436,336 S *	1/2001	Sadr .....	D12/203
D473,178 S *	4/2003	Schumacher .....	D12/203
D535,928 S *	1/2007	Crandall .....	D12/203
7,287,770 B2 *	10/2007	Drabant .....	B60R 3/002 280/163
D588,514 S *	3/2009	Kudelko .....	D12/203
D632,627 S *	2/2011	Huang-Tsai .....	D12/203

D676,368 S *	2/2013	Cover .....	D12/203
D738,803 S *	9/2015	Zhu .....	D12/203
9,409,520 B1 *	8/2016	Wang .....	F16B 5/126
D794,525 S *	8/2017	Chen .....	D12/203
D807,804 S *	1/2018	Huang .....	D12/203
D817,838 S *	5/2018	Dionisopoulos .....	D12/203
D818,923 S *	5/2018	Baeza .....	D12/203
D818,924 S *	5/2018	Baeza .....	D12/203
2005/0067741 A1 *	3/2005	Chapman .....	B29C 49/20 264/516
2012/0104718 A1 *	5/2012	Alvarez .....	B60R 3/00 280/163

\* cited by examiner

*Primary Examiner* — Michelle E. Wilson

*Assistant Examiner* — Clese Moore, Jr.

(74) *Attorney, Agent, or Firm* — The Dobrusin Law Firm,  
PC

(57) **CLAIM**

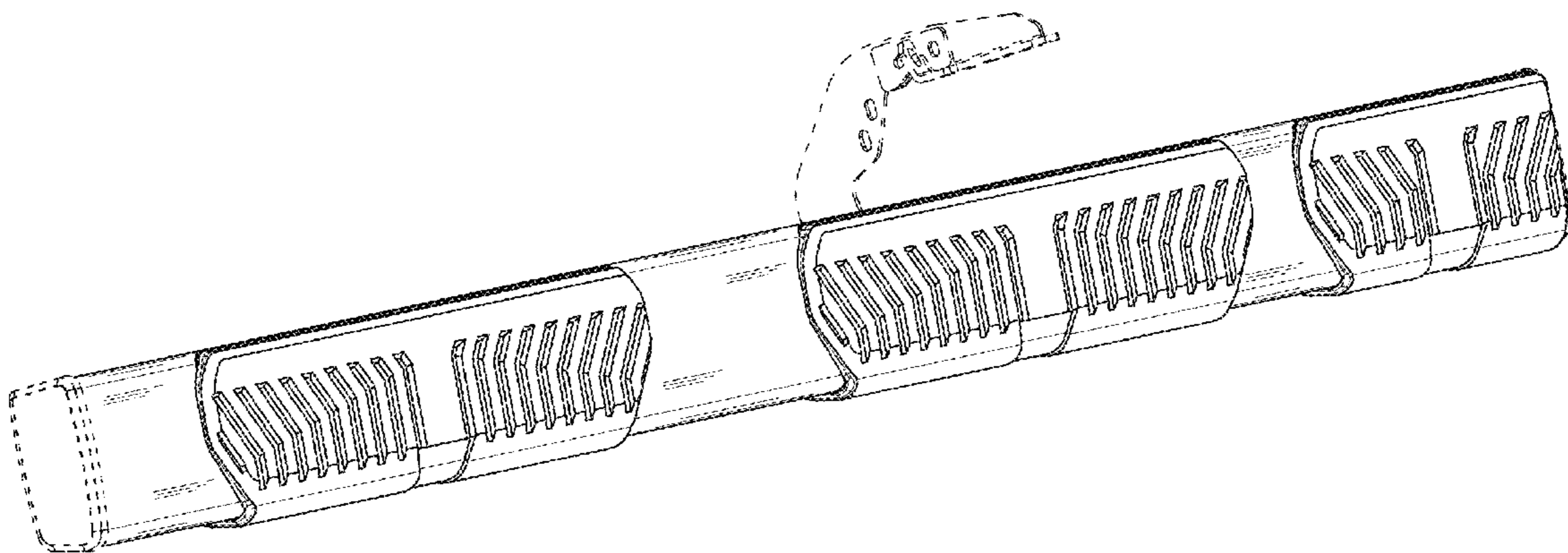
The ornamental design for a running board for vehicles, as shown and described.

**DESCRIPTION**

FIG. 1 is a top perspective view of a running board for vehicles showing our new design;  
FIG. 2 is a top view thereof;  
FIG. 3 is a rear view thereof;  
FIG. 4 is a front view thereof; and,  
FIG. 5 is an exploded top perspective view of the running board for vehicles shown in FIG. 1.

The ornamental design which is claimed is shown in the solid lines in the drawings. The broken lines shown in the drawings are for the purpose of illustrating environmental structure and form no part of the claimed design.

**1 Claim, 5 Drawing Sheets**



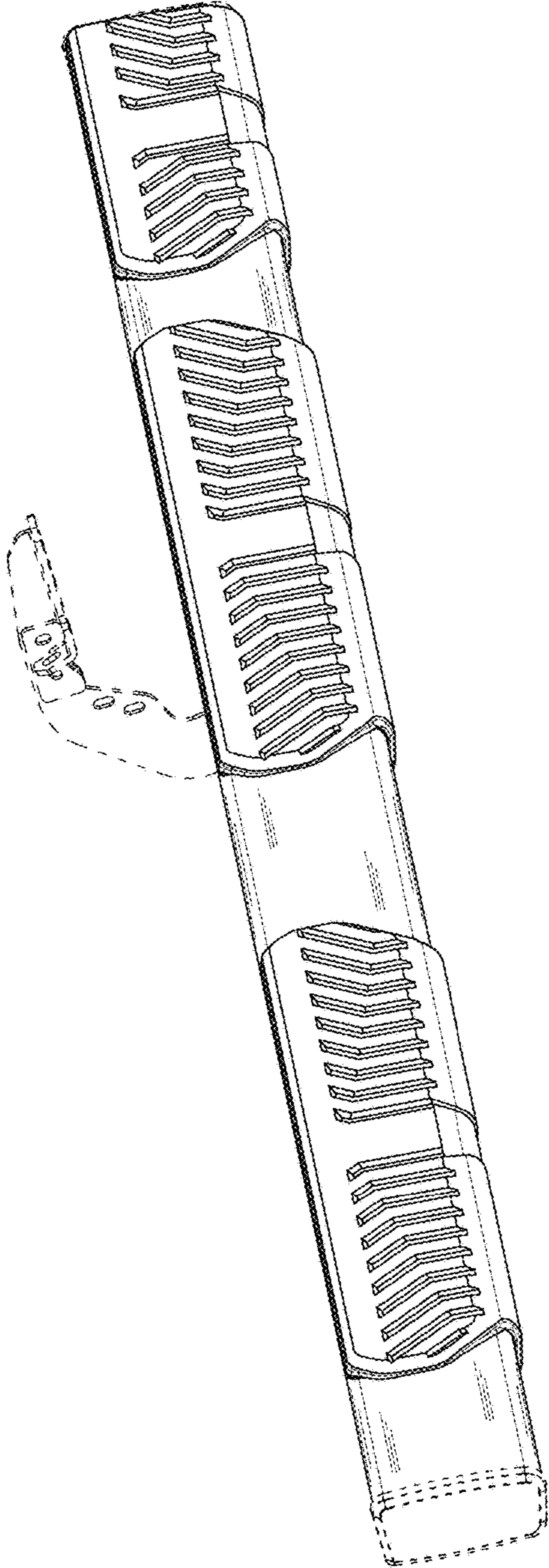


FIG. 1

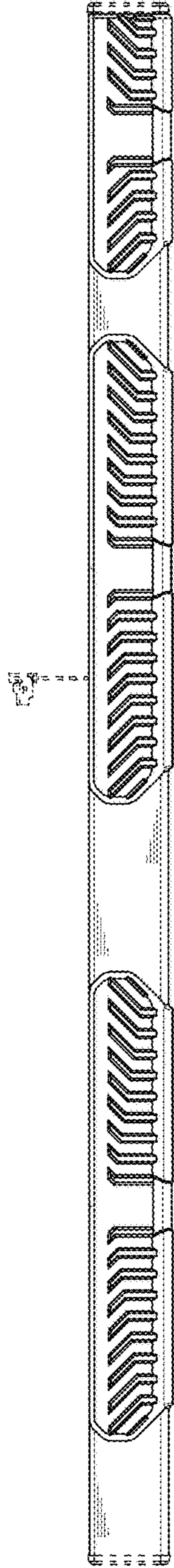


FIG. 2

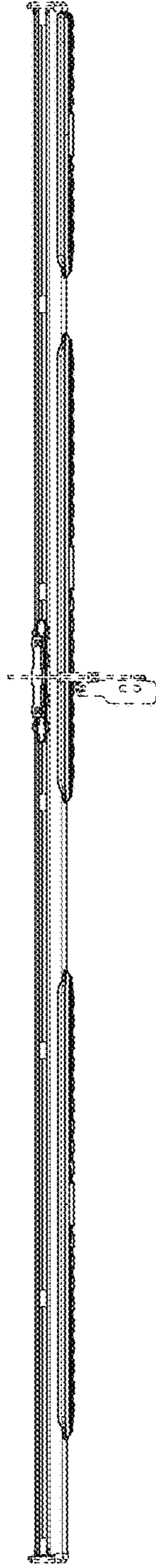


FIG. 3

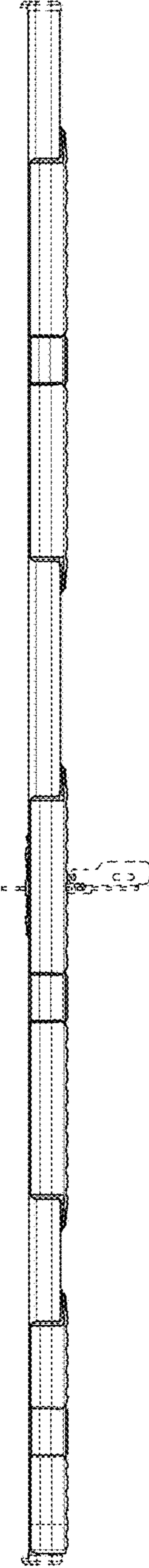


FIG. 4

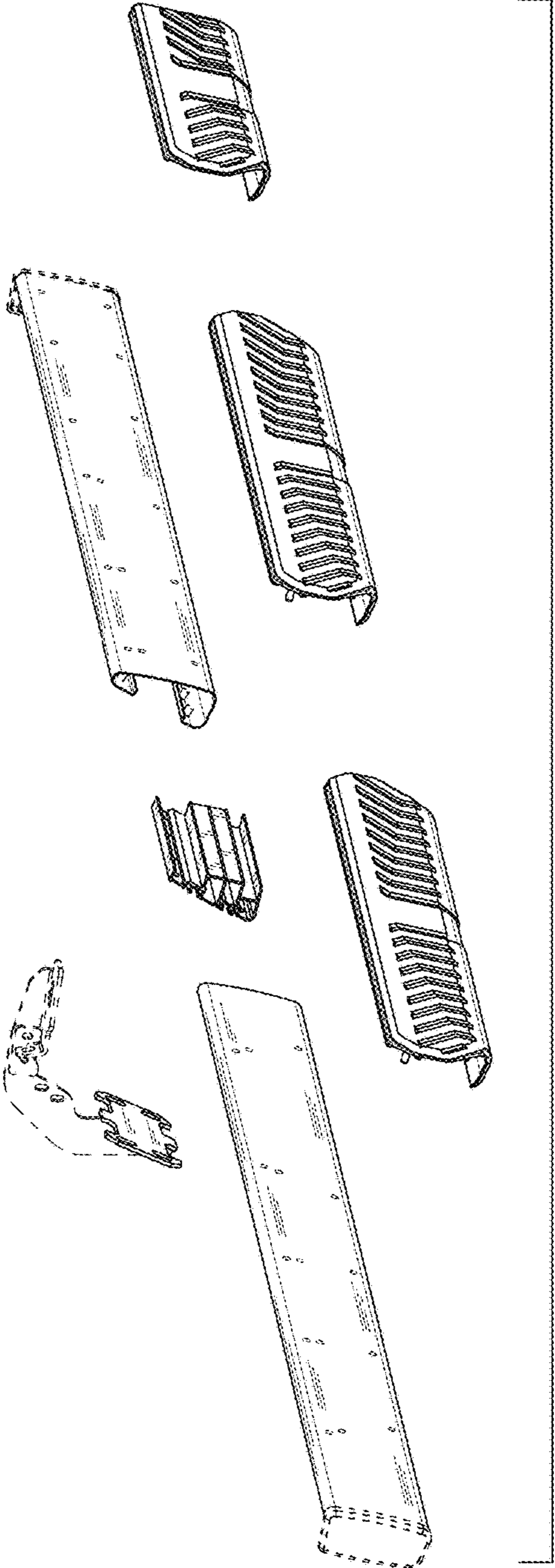


FIG. 5