

US00D867251S

(12) **United States Design Patent** (10) **Patent No.:** **US D867,251 S**
Sarreméjean (45) **Date of Patent:** **** Nov. 19, 2019**

(54) **TAILGATE FOR A VEHICLE**
(71) Applicant: **Bayerische Motoren Werke Aktiengesellschaft, Munich (DE)**
(72) Inventor: **Julien Thibaut Thomas Sarreméjean, Munich (DE)**
(73) Assignee: **Bayerische Motoren Werke Aktiengesellschaft, Munich (DE)**

D788,645 S * 6/2017 Mueller D12/91
D790,400 S * 6/2017 Zavatski D12/91
D797,632 S * 9/2017 Zipfel D12/196
D799,375 S * 10/2017 Zavatski D12/91
D799,376 S * 10/2017 Telaak D12/91
D801,858 S * 11/2017 Hagino D12/91
D801,861 S * 11/2017 Hubers D12/91
D801,862 S * 11/2017 Brendel D12/91

(Continued)

(**) Term: **15 Years**

(21) Appl. No.: **29/630,703**

(22) Filed: **Dec. 22, 2017**

(30) **Foreign Application Priority Data**

Jun. 30, 2017 (DE) 40 2017 100 780

(51) **LOC (12) Cl.** **12-16**

(52) **U.S. Cl.**
USPC **D12/196**

(58) **Field of Classification Search**
USPC D12/86, 90, 91, 92, 163, 169, 171, 183, D12/196, 216
CPC B62D 24/02; B62D 25/00; B62D 25/003; B62D 25/02; B62D 25/08; B62D 33/0273; B62D 33/03; B62D 33/037
See application file for complete search history.

(56) **References Cited**

U.S. PATENT DOCUMENTS

D499,357 S * 12/2004 Velazco D12/91
D507,219 S 7/2005 Boyer
D558,658 S 1/2008 Leclercq
D663,665 S * 7/2012 Hakamata D12/196
D736,128 S * 8/2015 Blanski D12/196
D749,480 S * 2/2016 Yu D12/196
D766,795 S * 9/2016 Kim D12/196
D783,482 S * 4/2017 Smith D12/196
D788,644 S * 6/2017 Mueller D12/91

FOREIGN PATENT DOCUMENTS

EM 004521342-0001 11/2017
WO WO DM/065279 5/2004

(Continued)

Primary Examiner — Susan Bennett Hattan
Assistant Examiner — Suzanne E Tisdell
(74) *Attorney, Agent, or Firm* — Crowell & Moring LLP

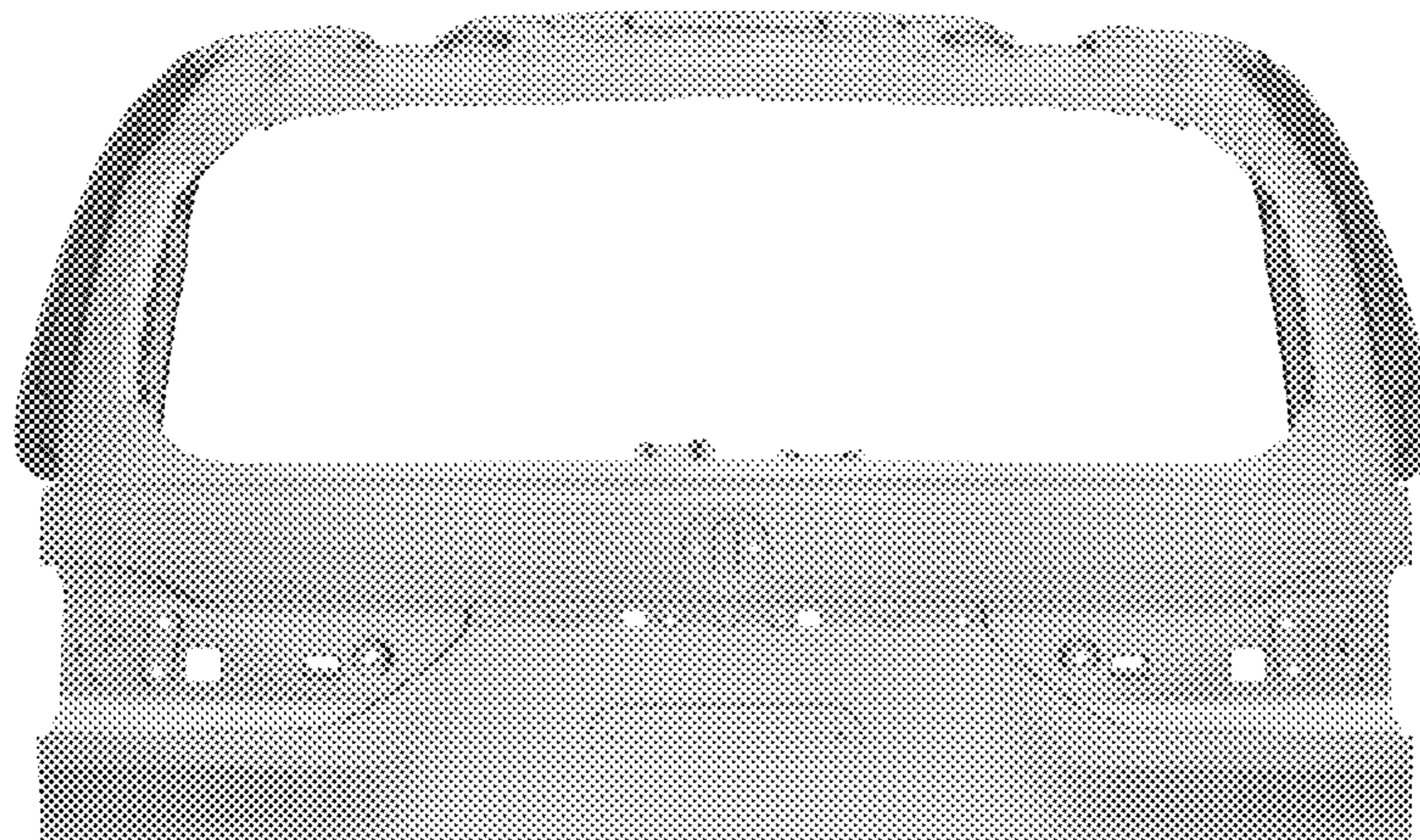
(57) **CLAIM**

The ornamental design for a tailgate for a vehicle, as shown and described.

DESCRIPTION

This application contains subject matter related to the following co-pending U.S. design patent applications: Application Ser. No. 29/630,692, filed herewith and entitled “Vehicle, Toy, and/or Replicas Thereof”; and Application Ser. No. 29/630,695, filed herewith and entitled “Vehicle, Toy, and/or Replicas Thereof”. FIG. 1 is a front view of a tailgate for a vehicle according to the design; FIG. 2 is a left, front perspective view thereof; FIG. 3 is a right, front perspective view thereof; FIG. 4 is a left side view thereof; FIG. 5 is a right side view thereof; FIG. 6 is a top view thereof; FIG. 7 is a bottom view thereof; and, FIG. 8 is a rear view thereof.

1 Claim, 8 Drawing Sheets



(56)

References Cited

U.S. PATENT DOCUMENTS

D802,478 S * 11/2017 Perkins D12/91
D802,482 S * 11/2017 Sterner D12/91
D803,123 S * 11/2017 Granlund D12/196
D804,359 S * 12/2017 Ishii D12/91
D805,433 S * 12/2017 Scheinhutte D12/91
D805,434 S * 12/2017 Bischoff D12/91
D805,959 S * 12/2017 Wheel D12/91
D805,985 S * 12/2017 Nakamura D12/196
D807,227 S * 1/2018 Chen D12/91
D807,228 S * 1/2018 Woolley D12/91
D807,788 S * 1/2018 Hatton D12/91
D808,321 S * 1/2018 Kim D12/196
2017/0210428 A1 * 7/2017 Hallik B60R 19/34

FOREIGN PATENT DOCUMENTS

WO WO DM/067951 7/2006
WO WO DM/084222 2/2015

* cited by examiner



Fig. 1



Fig. 2



Fig. 3

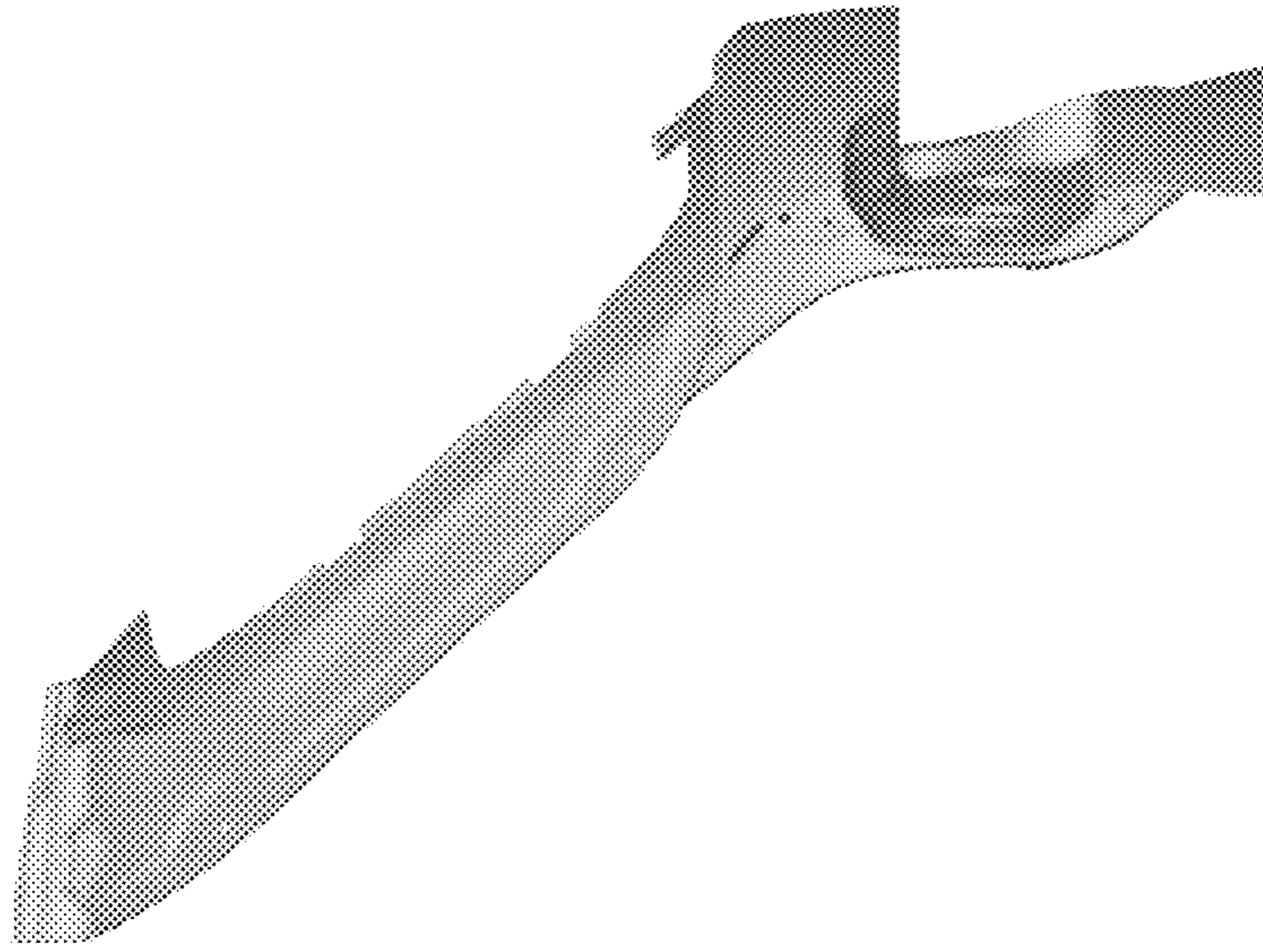


Fig. 4

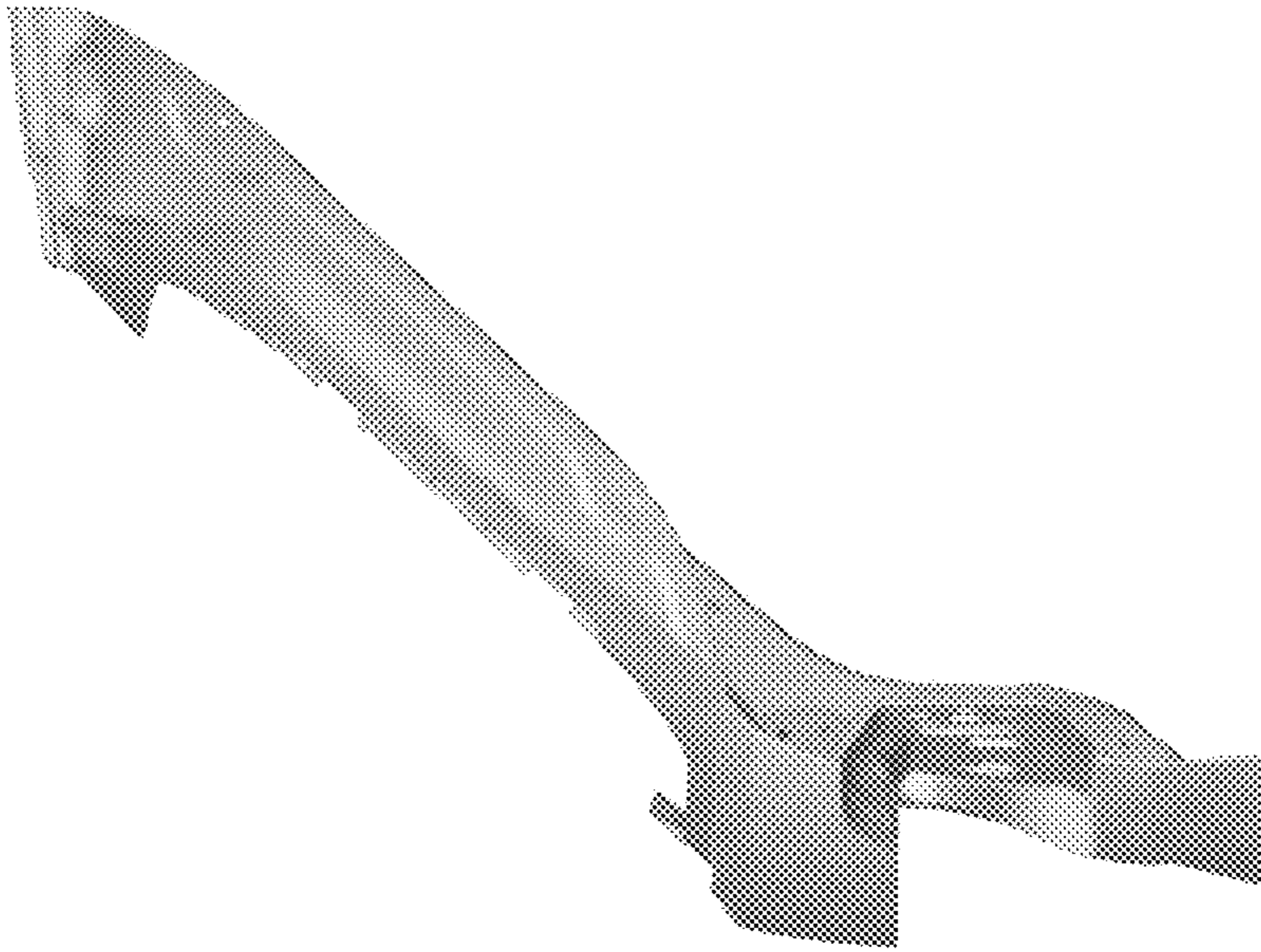


Fig. 5

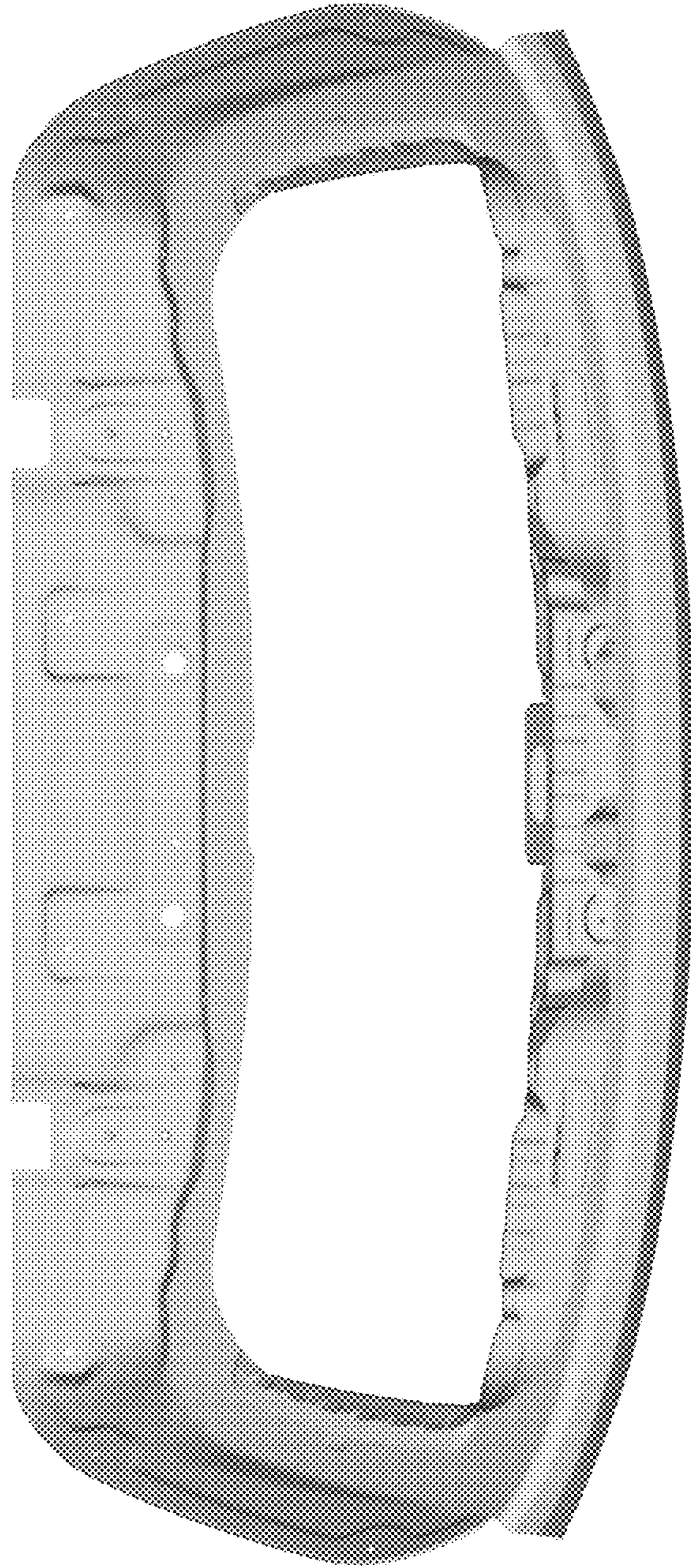


Fig. 6

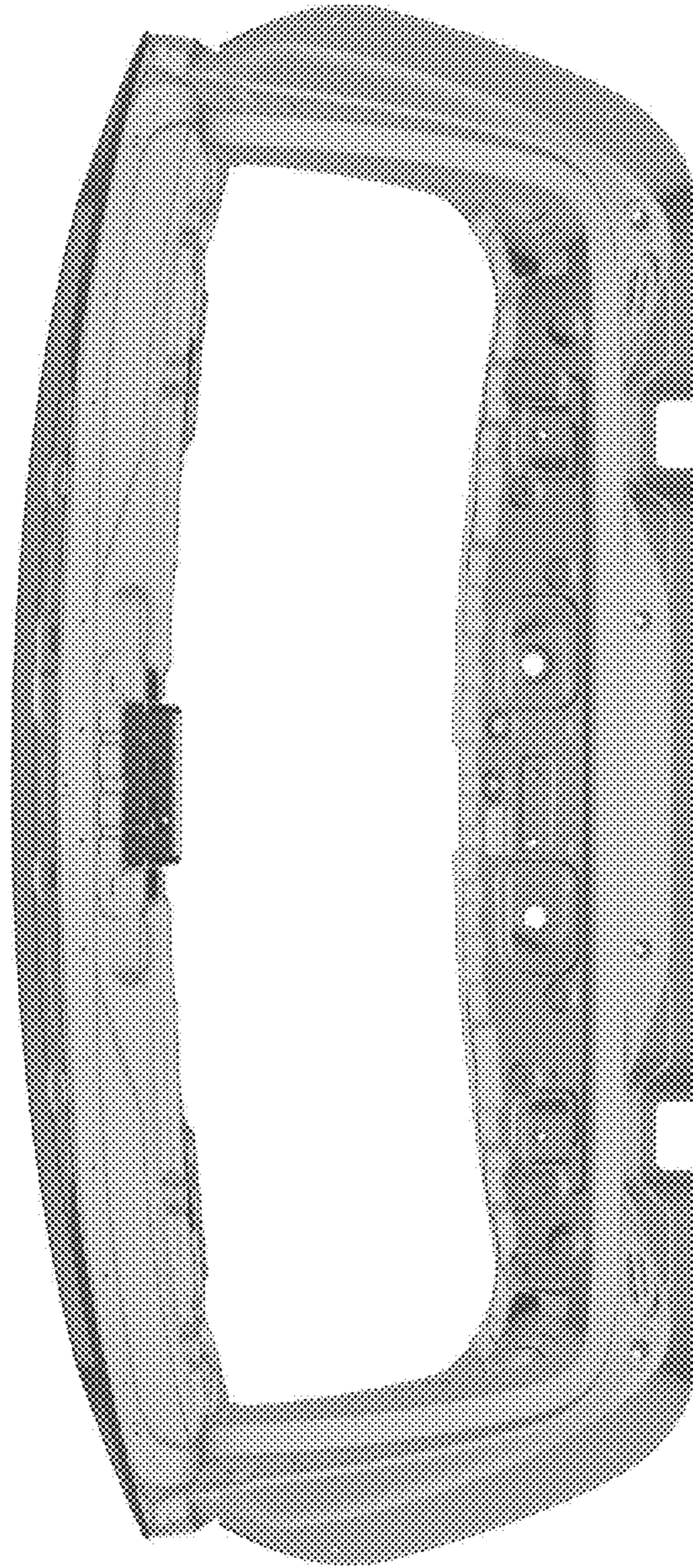


Fig. 7

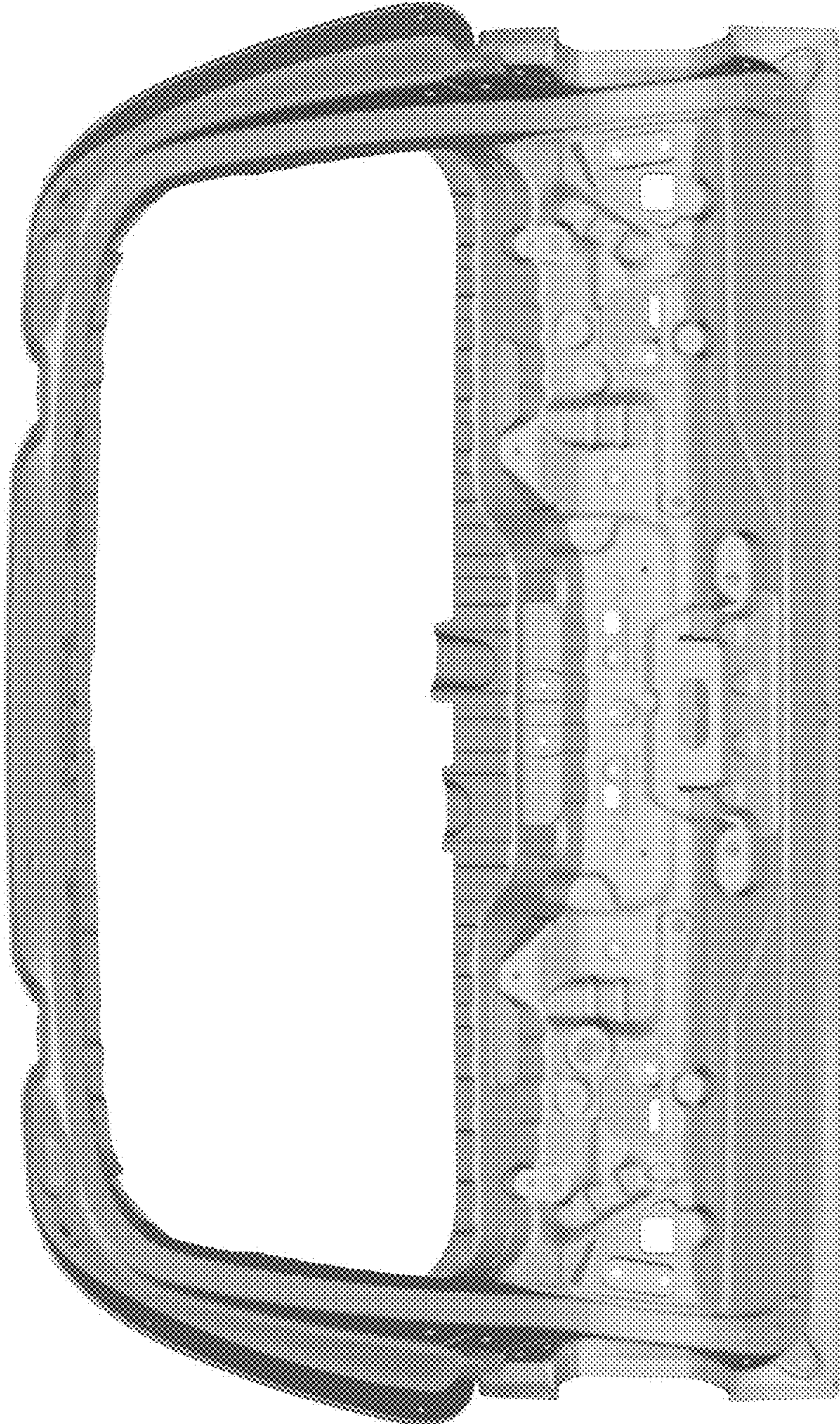


Fig. 8