



US00D867250S

(12) **United States Design Patent** (10) **Patent No.:** **US D867,250 S**
Goodrich et al. (45) **Date of Patent:** **** Nov. 19, 2019**

(54) **FENDER AIR VENT**
(71) Applicants: **Stephen Goodrich**, Clawson, MI (US);
Brian H. Nielander, Royal Oak, MI
(US); **Mark T. Allen**, Oxford, MI (US)
(72) Inventors: **Stephen Goodrich**, Clawson, MI (US);
Brian H. Nielander, Royal Oak, MI
(US); **Mark T. Allen**, Oxford, MI (US)
(73) Assignee: **FCA US LLC**, Auburn Hills, MI (US)
(**) Term: **15 Years**

D545,258 S * 6/2007 Teng D12/190
D565,477 S * 4/2008 Ishibashi D12/163
D609,149 S * 2/2010 Larson D12/181
D659,059 S * 5/2012 Elmitt D12/190
D713,765 S * 9/2014 Peltola D12/163
D743,850 S * 11/2015 Howell D12/163
D748,548 S * 2/2016 Battams D12/190
D788,659 S * 6/2017 Jelec D12/163
D807,264 S * 1/2018 Henstridge D12/190
D808,316 S * 1/2018 Piscitelli D12/190
D808,317 S * 1/2018 Piscitelli D12/190
D829,624 S * 10/2018 Jamieson D12/196
D837,113 S * 1/2019 Kaplan D12/190
D842,767 S * 3/2019 Hjorten D12/163
D848,331 S * 5/2019 Numberger D12/190

(21) Appl. No.: **29/661,905**
(22) Filed: **Aug. 31, 2018**

* cited by examiner

Primary Examiner — Susan E Krakower
Assistant Examiner — Jerry Shiuan-Hua Hsu
(74) *Attorney, Agent, or Firm* — Ralph E. Smith

Related U.S. Application Data

(63) Continuation-in-part of application No. 29/616,446,
filed on Sep. 6, 2017, now Pat. No. Des. 840,270.

(51) **LOC (12) Cl.** **12-16**
(52) **U.S. Cl.**
USPC **D12/190**

(57) **CLAIM**

The ornamental design for a fender air vent, as shown and described.

(58) **Field of Classification Search**
USPC D12/163, 164, 166, 167, 169, 171, 172,
D12/173, 181, 190, 191, 196, 216, 400,
D12/86, 88, 91, 93
CPC B60K 11/08; B60R 19/52; B62B 9/16;
B62D 25/08
See application file for complete search history.

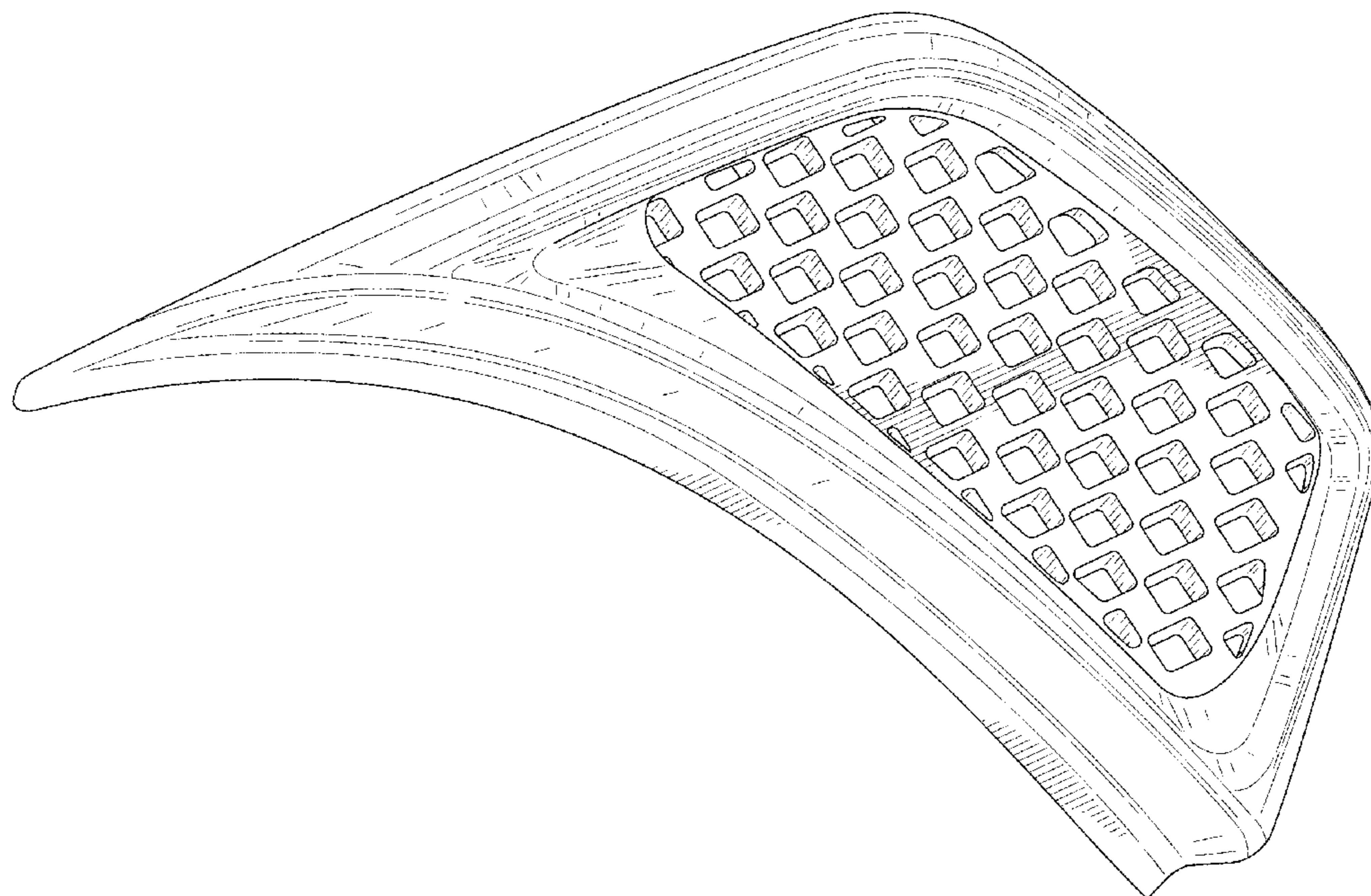
DESCRIPTION

FIG. 1 is a front perspective view or a fender air vent showing our new design;
FIG. 2 is a front view thereof;
FIG. 3 is a rear view thereof;
FIG. 4 is a side view thereof;
FIG. 5 is a top view thereof; and,
FIG. 6 is a bottom view thereof.
The broken lines illustrate portions of the fender air vent that form no part of claimed design.

(56) **References Cited**
U.S. PATENT DOCUMENTS

D502,898 S * 3/2005 Delashaw D12/163
D504,849 S * 5/2005 Pfeiffer D12/163

1 Claim, 4 Drawing Sheets



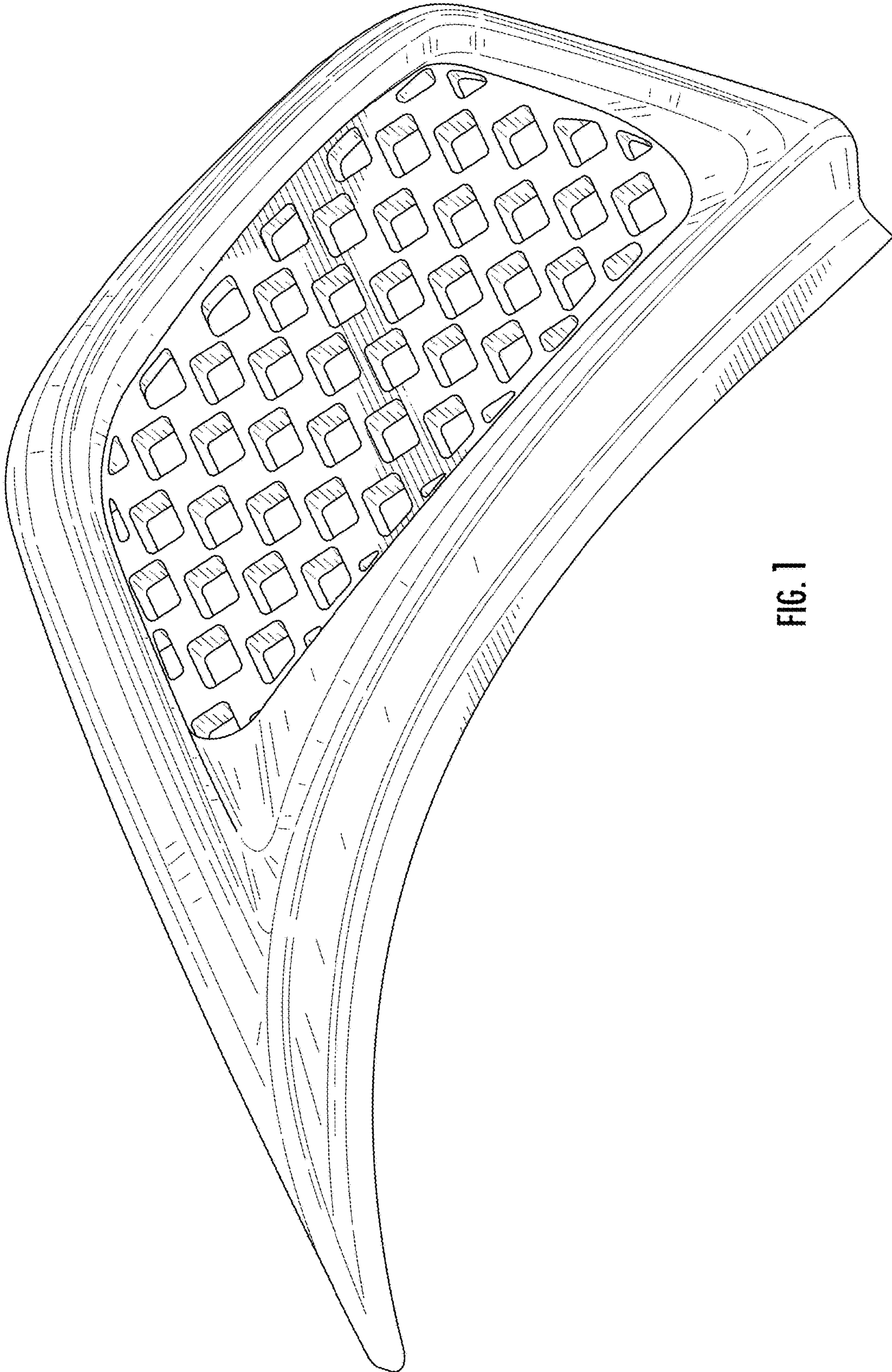


FIG. 1

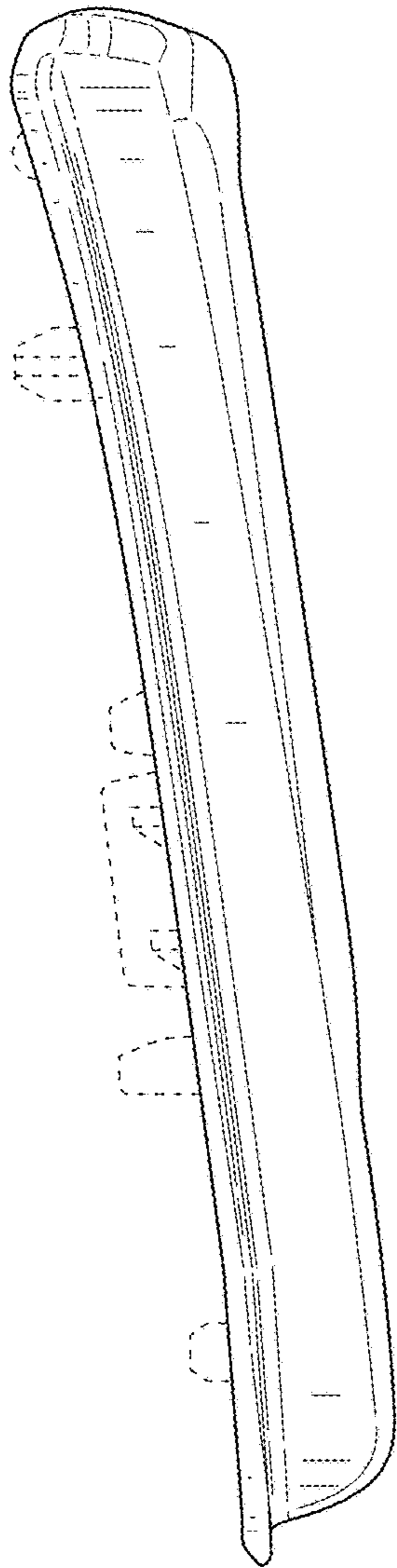


FIG. 2

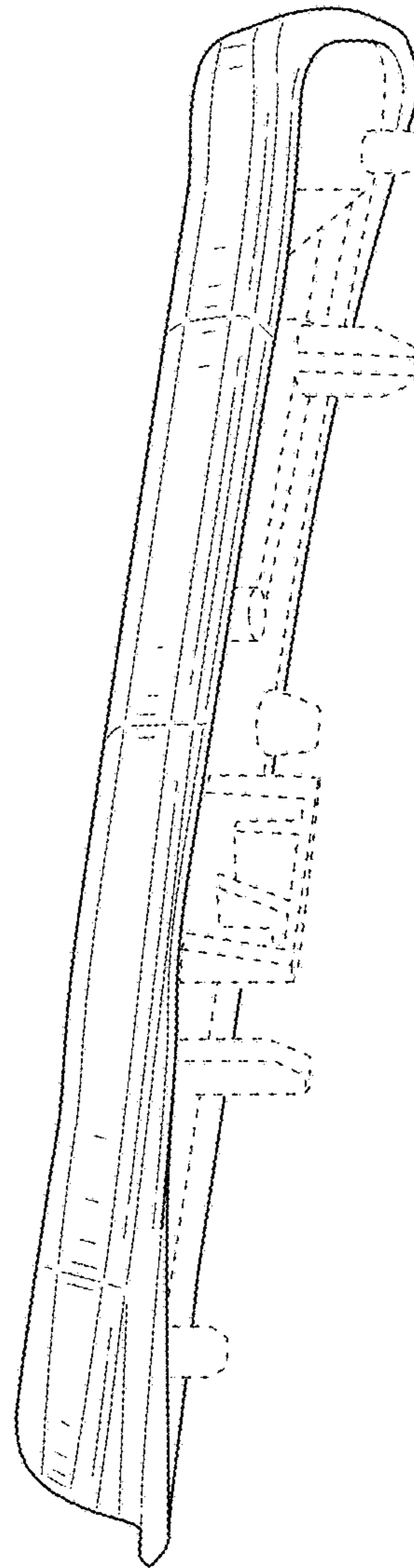


FIG. 3

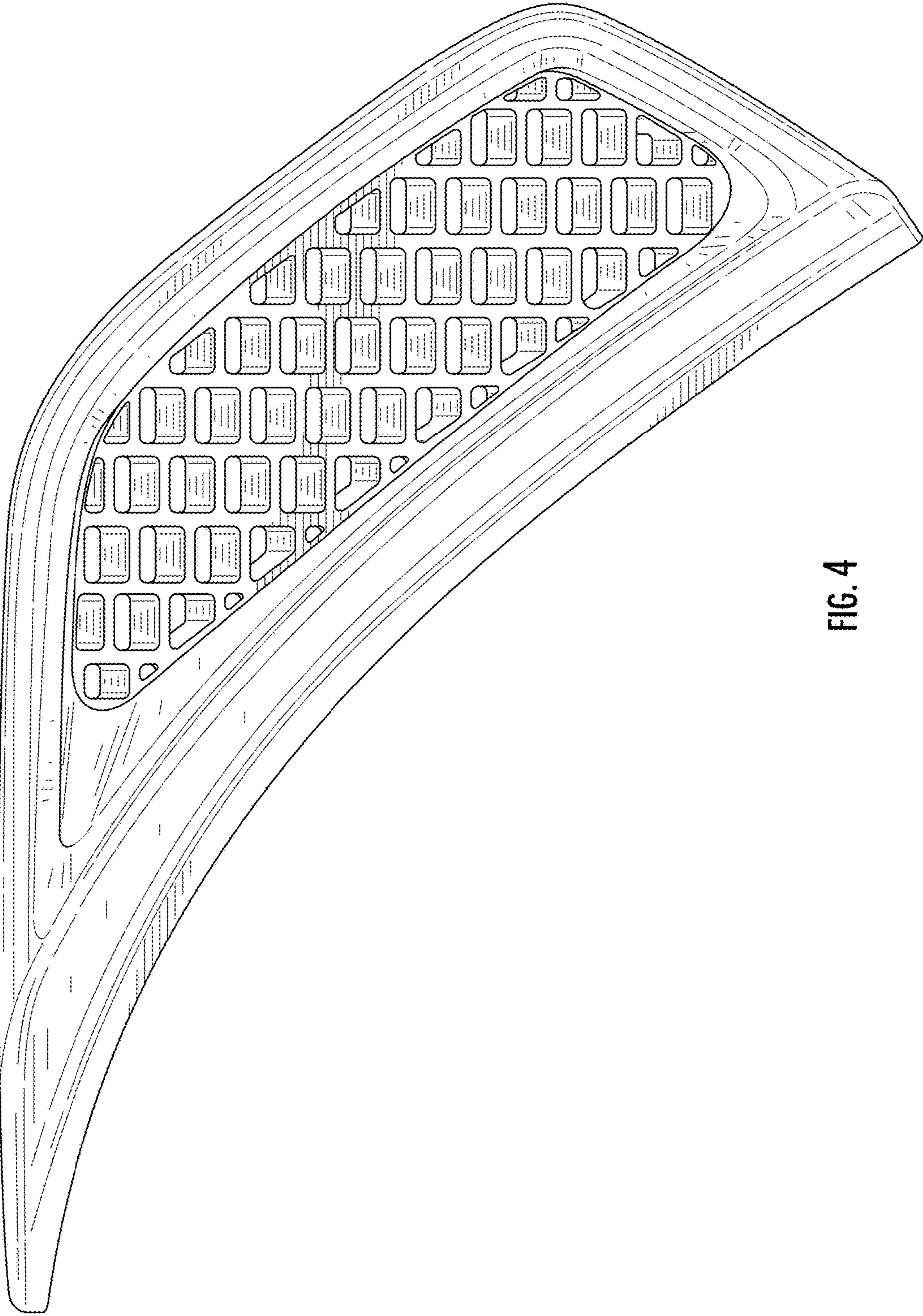


FIG. 4

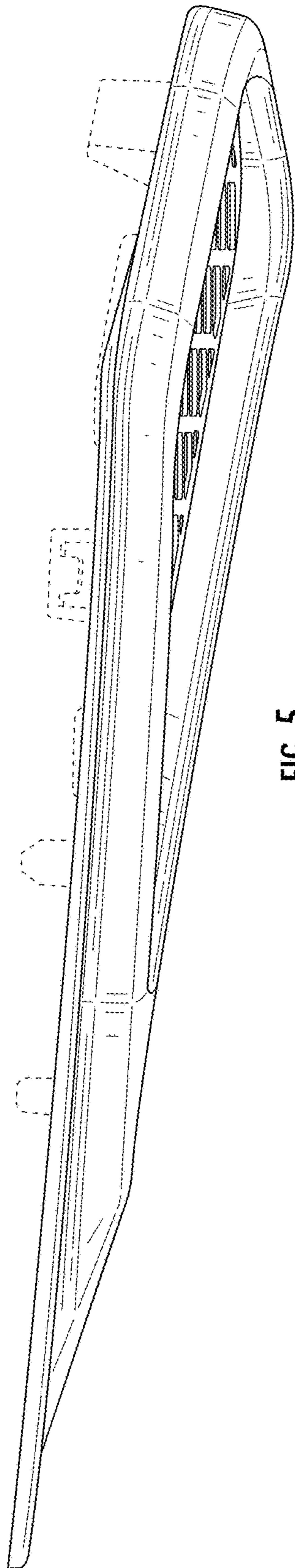


FIG. 5

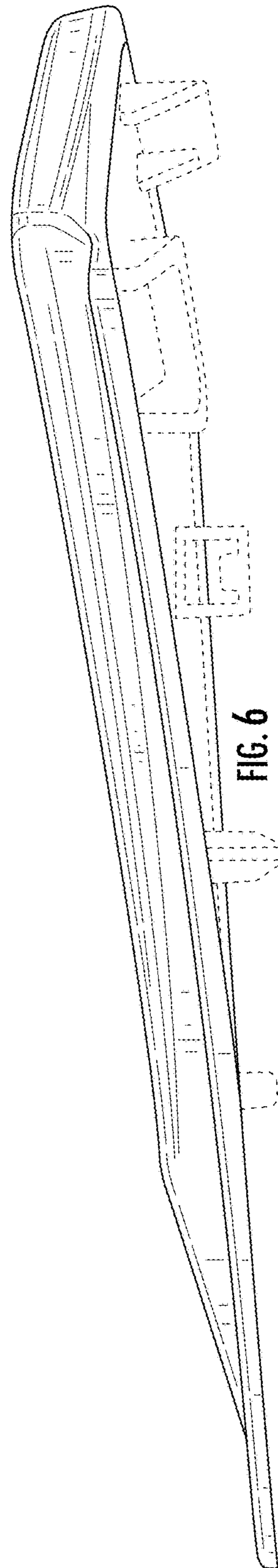


FIG. 6