

US00D867249S

(12) **United States Design Patent** (10) **Patent No.:** **US D867,249 S**  
**Chen** (45) **Date of Patent:** **\*\* Nov. 19, 2019**

(54) **VEHICLE SIDE VIEW MIRROR**  
(71) Applicant: **Cheng-Chung Chen**, Tainan (TW)  
(72) Inventor: **Cheng-Chung Chen**, Tainan (TW)  
(\*\*) Term: **15 Years**  
(21) Appl. No.: **29/636,608**  
(22) Filed: **Feb. 9, 2018**  
(51) **LOC (12) Cl.** ..... **12-16**  
(52) **U.S. Cl.**  
USPC ..... **D12/187**  
(58) **Field of Classification Search**  
USPC ..... D12/187, 188, 189, 191, 195, 179, 192;  
D6/300, 309; D8/87; D3/309, 308, 273,  
D3/272, 318, 905, 304, 307  
CPC ..... B60R 1/06; B60R 1/074; B60R 1/076;  
B60R 1/082; B60R 1/081; B60R 1/08;  
B60R 1/078; B60R 1/007; B60R 1/003;  
B60R 1/0605  
See application file for complete search history.

D786,756 S \* 5/2017 Chen ..... D12/187  
D786,757 S \* 5/2017 Chen ..... D12/187  
D794,521 S \* 8/2017 Tseng ..... D12/187  
D815,001 S \* 4/2018 Banceu ..... D12/187  
2003/0026009 A1\* 2/2003 Vandenbrink ..... B60R 1/078  
359/841  
2005/0200988 A1\* 9/2005 Olijnyk ..... B60R 1/078  
359/877  
2006/0103957 A1\* 5/2006 Olijnyk ..... B60R 1/0605  
359/872  
2015/0360615 A1\* 12/2015 Peterson ..... B60R 1/078  
359/841  
2017/0015256 A1\* 1/2017 Henion ..... B60R 1/003

\* cited by examiner

*Primary Examiner* — Susan E Krakower  
*Assistant Examiner* — Jerry Shiuan-Hua Hsu  
(74) *Attorney, Agent, or Firm* — Rosenberg, Klein & Lee

(57) **CLAIM**

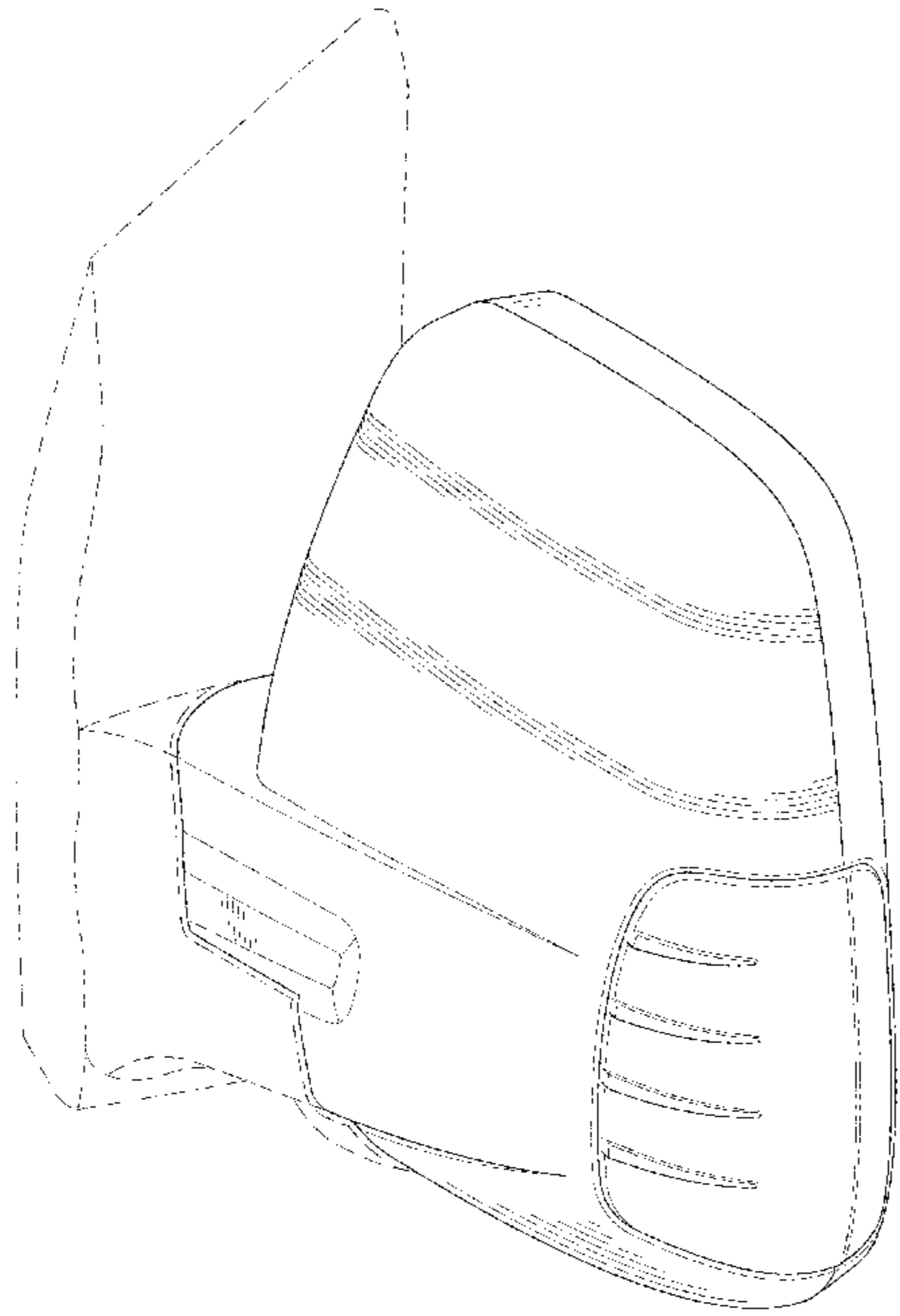
The ornamental design for a vehicle side view mirror, as shown and described.

**DESCRIPTION**

FIG. 1 is a perspective view of a vehicle side view mirror showing my new design;  
FIG. 2 is a front elevational view thereof;  
FIG. 3 is a rear elevational view thereof;  
FIG. 4 is a left side elevational view thereof;  
FIG. 5 is a right side elevational view thereof;  
FIG. 6 is a top plan view thereof; and,  
FIG. 7 is a bottom plan view thereof.  
The broken lines shown in the figures are included for illustrating unclaimed portions of the vehicle side view mirror and form no part of the claimed design.

**1 Claim, 7 Drawing Sheets**

(56) **References Cited**  
U.S. PATENT DOCUMENTS  
D545,740 S \* 7/2007 Schiavone ..... D12/187  
D577,639 S \* 9/2008 Choi ..... D12/187  
D631,804 S \* 2/2011 Chen ..... D12/187  
D636,309 S \* 4/2011 Matei ..... D12/187  
D661,635 S \* 6/2012 Svensson ..... D12/187  
D709,413 S \* 7/2014 Platto ..... D12/187  
D709,414 S \* 7/2014 Platto ..... D12/187  
D709,811 S \* 7/2014 Platto ..... D12/187  
D725,015 S \* 3/2015 Kovach ..... D12/187  
D731,379 S \* 6/2015 Behmer ..... D12/187  
D748,546 S \* 2/2016 Whitehead ..... D12/187  
D776,588 S \* 1/2017 Chen ..... D12/187



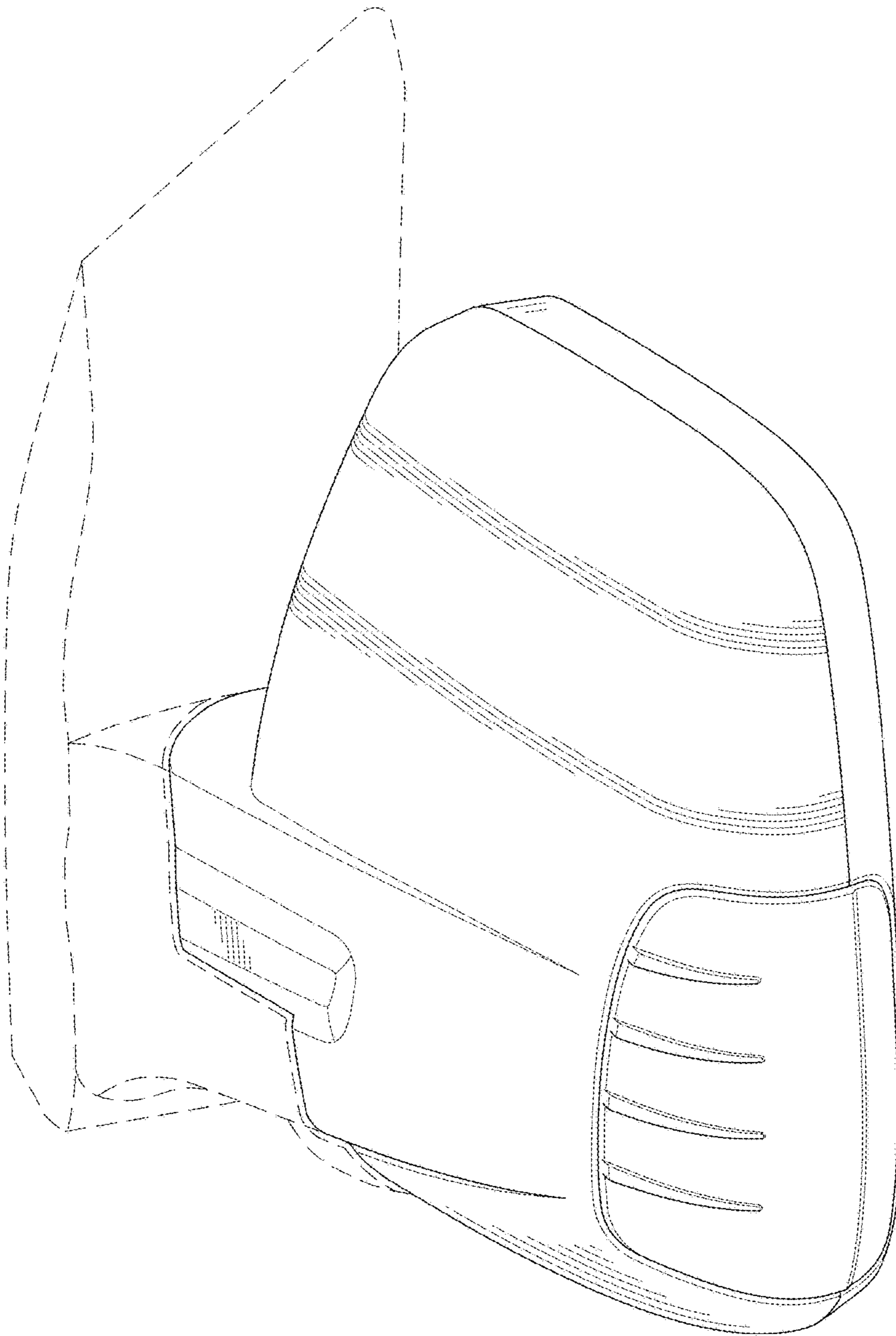


FIG. 1

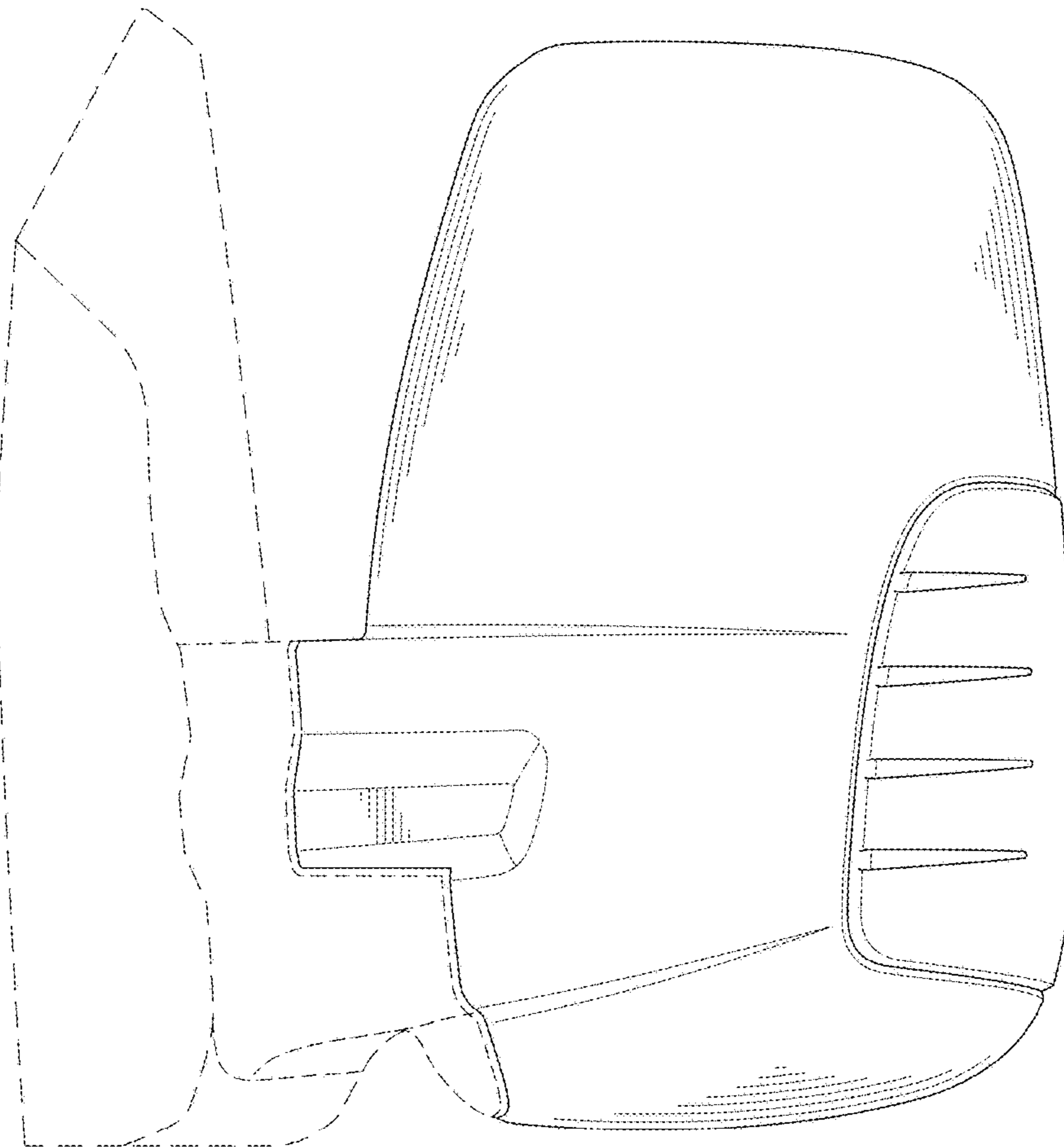


FIG. 2

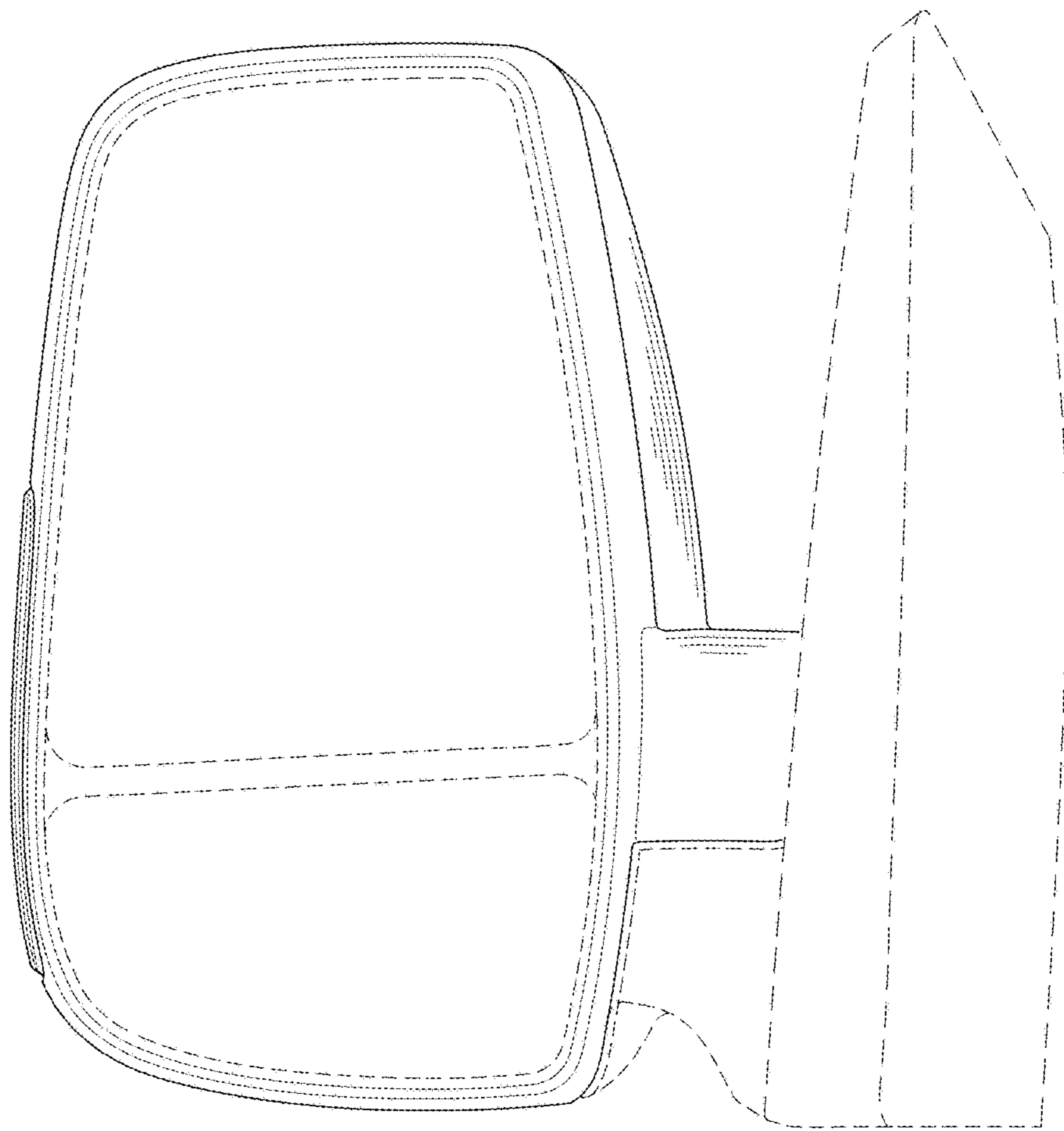


FIG. 3

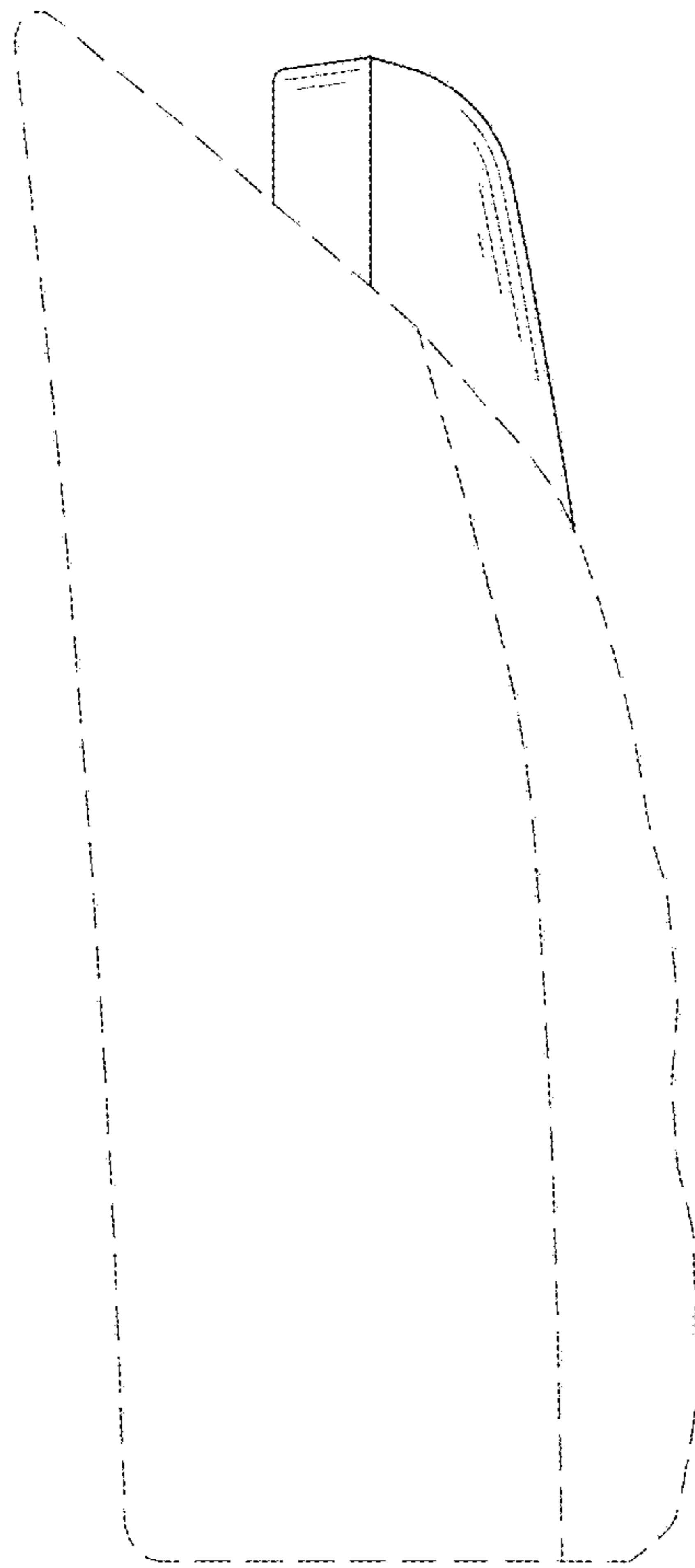


FIG. 4

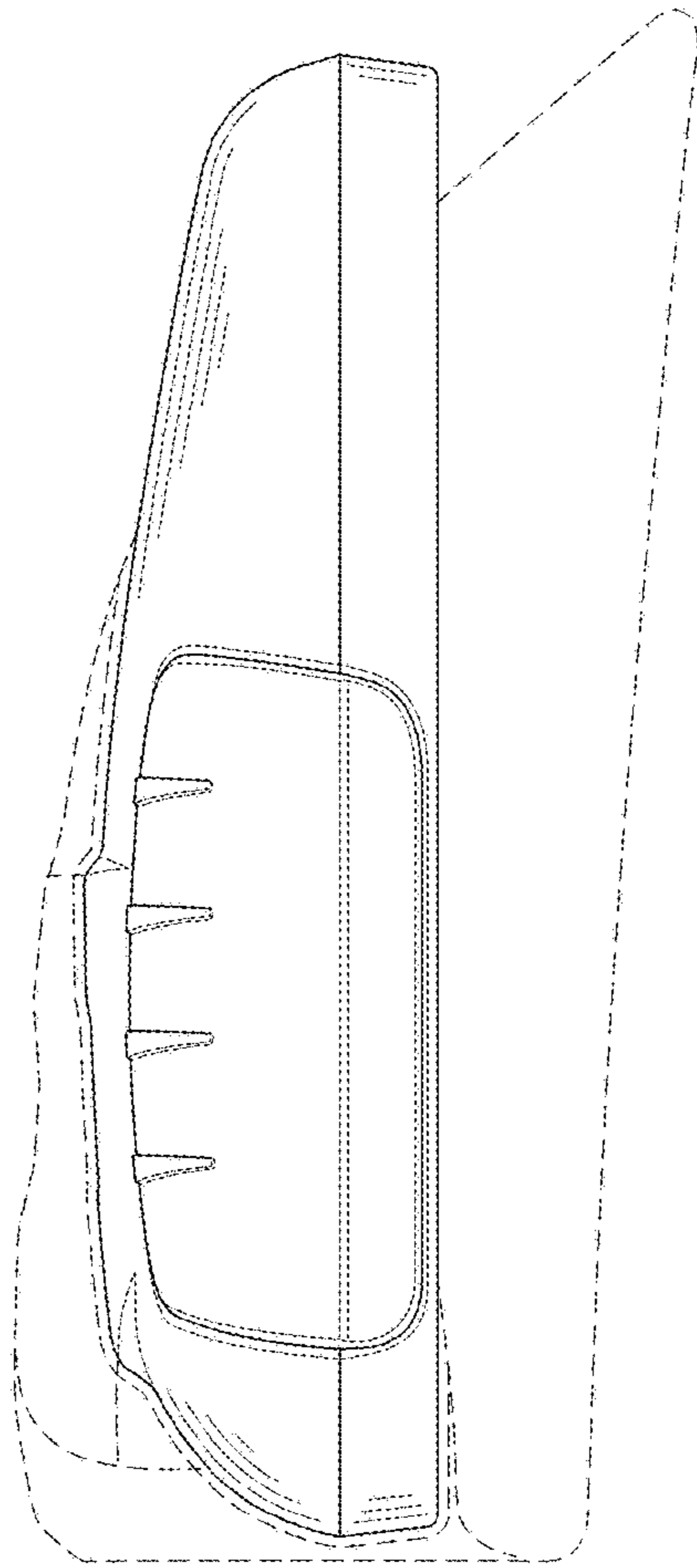


FIG. 5

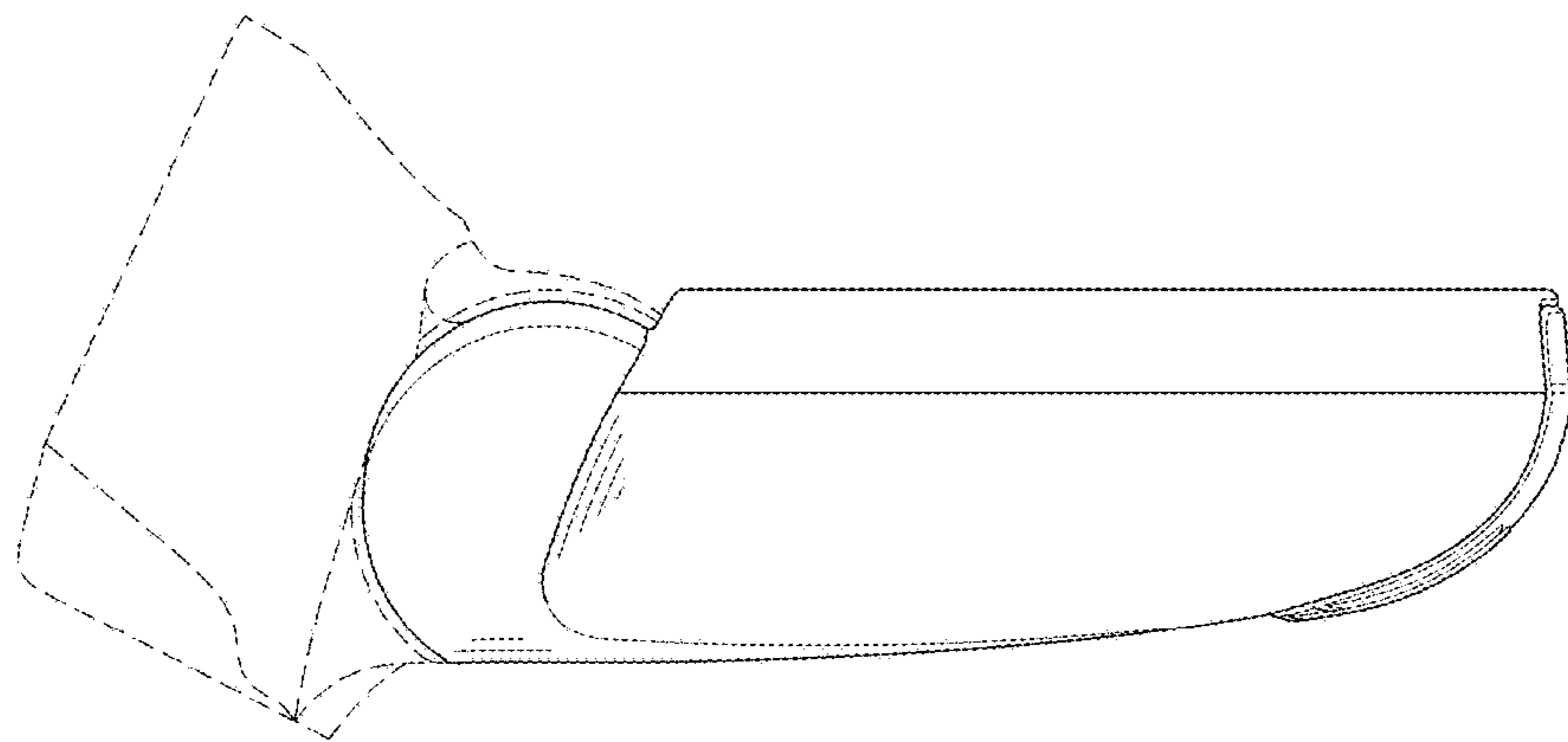


FIG. 6

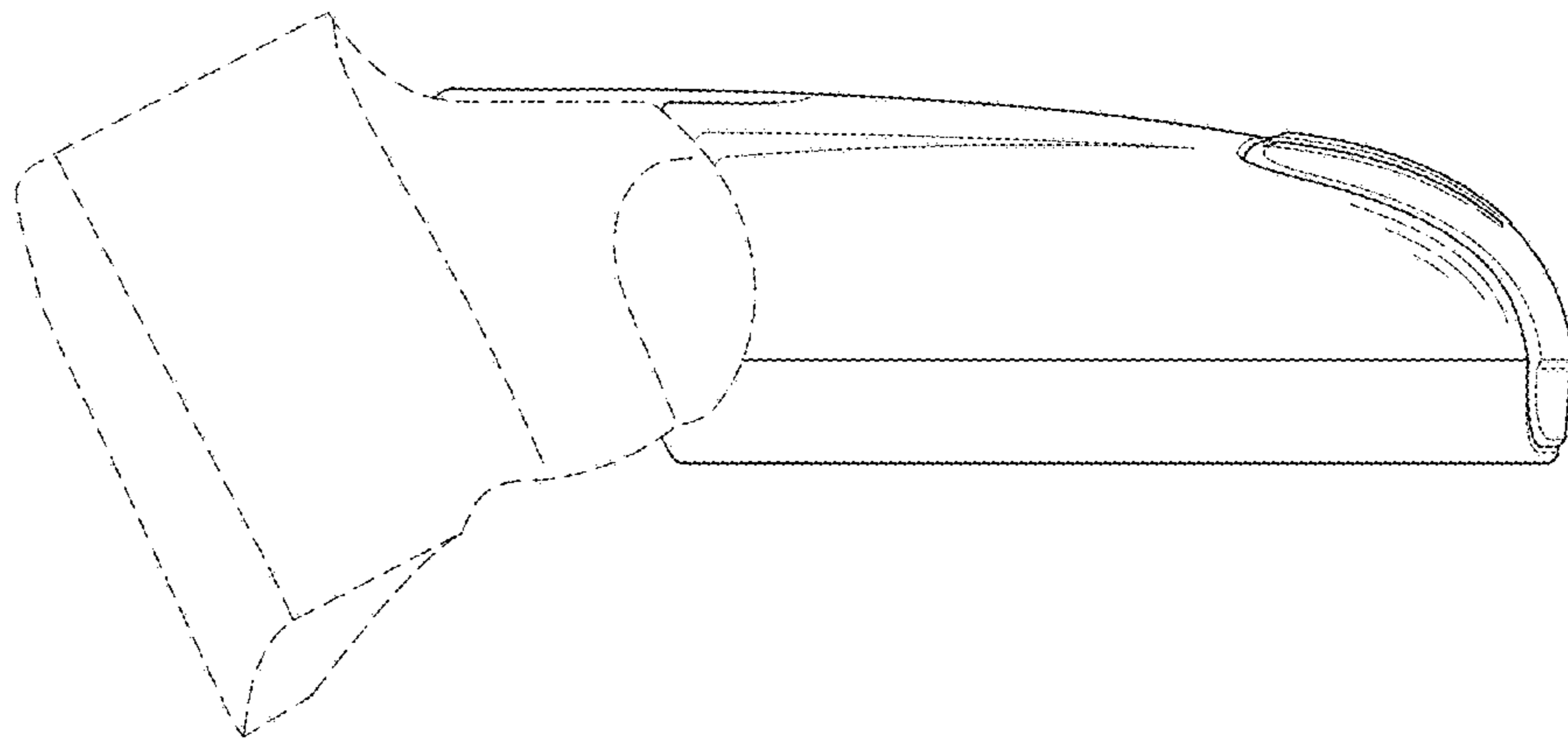


FIG. 7