



US00D867248S

(12) **United States Design Patent** (10) **Patent No.:** **US D867,248 S**
Li (45) **Date of Patent:** **** Nov. 19, 2019**

(54) **MOTORCYCLE FRONT BODY PANEL SET**

(71) Applicant: **William Li**, Norwalk, CA (US)

(72) Inventor: **William Li**, Norwalk, CA (US)

(**) Term: **15 Years**

(21) Appl. No.: **29/653,536**

(22) Filed: **Jun. 15, 2018**

Related U.S. Application Data

(63) Continuation-in-part of application No. 29/649,076, filed on May 25, 2018.

(51) **LOC (12) Cl.** **12-11**

(52) **U.S. Cl.**
USPC **D12/186**; D12/110; D12/126

(58) **Field of Classification Search**
USPC D12/110, 114, 126, 182, 184, 186
CPC ... B62J 17/00; B62J 17/02; B62J 17/04; B62J 23/00; B62K 11/00; B62K 11/02; B62K 11/04

See application file for complete search history.

(56) **References Cited**

U.S. PATENT DOCUMENTS

D252,923 S *	9/1979	Montenare	D12/186
D279,974 S *	8/1985	Komori	D12/186
D485,519 S *	1/2004	Hoshino	D12/186
D496,614 S *	9/2004	Everitt	D12/186
D514,487 S *	2/2006	Asao	D12/186
D557,188 S *	12/2007	Xu	D12/186
D557,189 S *	12/2007	Xu	D12/186
D581,846 S *	12/2008	Longpre	D12/107
D583,737 S *	12/2008	Kitayama	D12/126
D594,392 S *	6/2009	Nishihara	D12/186
D626,900 S *	11/2010	Guay	D12/173

D627,283 S *	11/2010	Ilmberger	D12/186
D635,496 S *	4/2011	Serbinski	D12/186
D652,772 S *	1/2012	Ishikawa	D12/186
8,123,273 B2 *	2/2012	Tsuda	B62J 17/04 296/180.1
D702,166 S *	4/2014	Deluy	D12/186
D777,611 S *	1/2017	Griffin	D12/114
D781,755 S *	3/2017	Watanabe	D12/114
D793,288 S *	8/2017	Rudwal	D12/126
D803,106 S *	11/2017	Tsuji	D12/126
D814,362 S *	4/2018	Mori	D12/114
D826,790 S *	8/2018	Sears, Jr.	D12/126
D827,505 S *	9/2018	Tsukui	D12/126
D829,134 S *	9/2018	Katagiri	D12/126
D833,335 S *	11/2018	Seo	D12/114
D850,985 S *	6/2019	Tsuji	D12/114

* cited by examiner

Primary Examiner — Darlington Ly

(74) *Attorney, Agent, or Firm* — Clement Cheng

(57) **CLAIM**

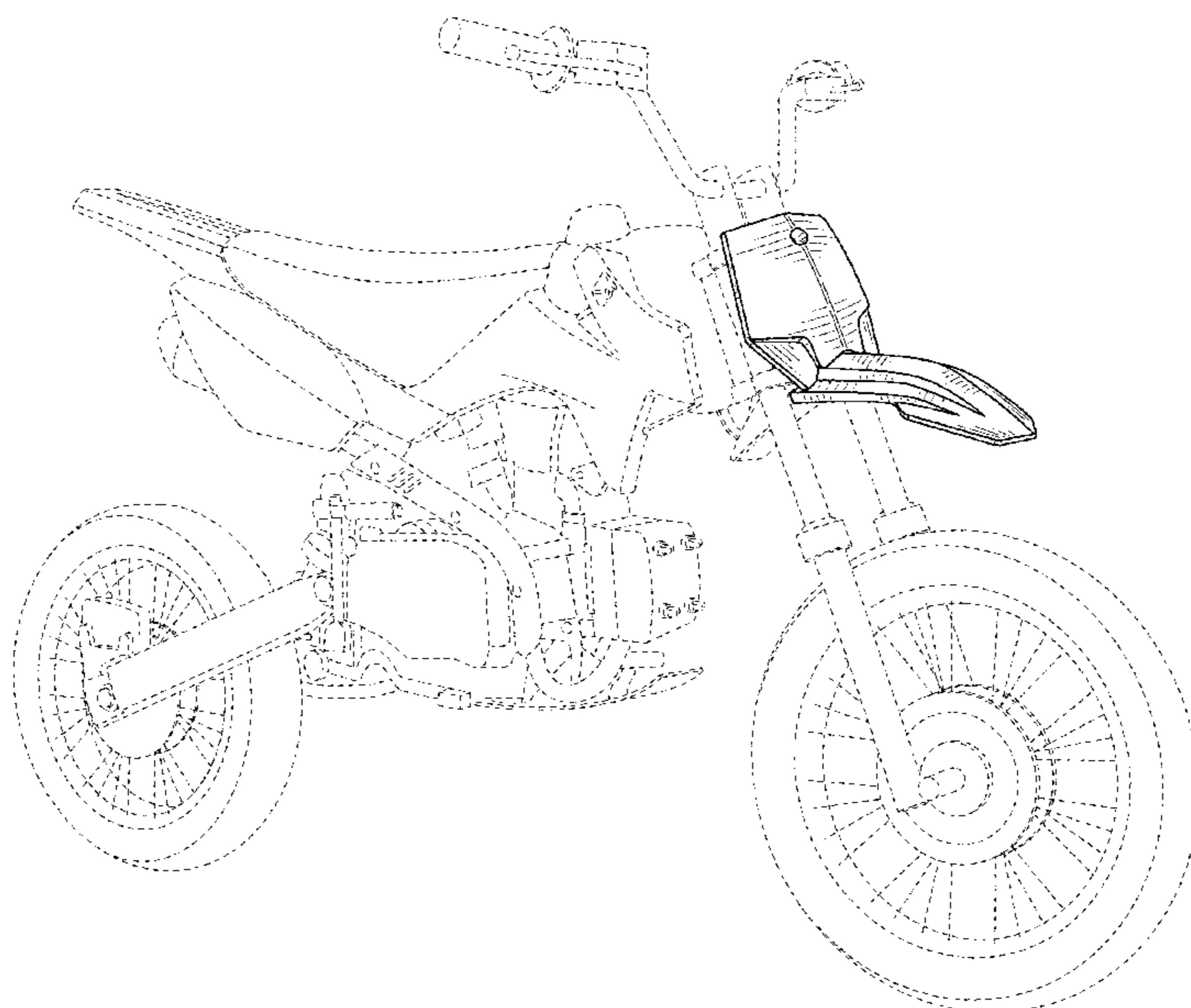
The ornamental design for a motorcycle front body panel set, as shown and described.

DESCRIPTION

FIG. 1 is a front and right side perspective view of a motorcycle front body panel set showing my new design; FIG. 2 is a front elevation view thereof; FIG. 3 is a rear elevation view thereof; FIG. 4 is a left side elevation view thereof; FIG. 5 is a right side elevation view thereof; FIG. 6 is a top plan view thereof; and, FIG. 7 is a bottom plan view thereof.

The broken line showing portions of the motorcycle are provided for the purpose of illustrating environmental structure and form no part of the claimed design.

1 Claim, 7 Drawing Sheets



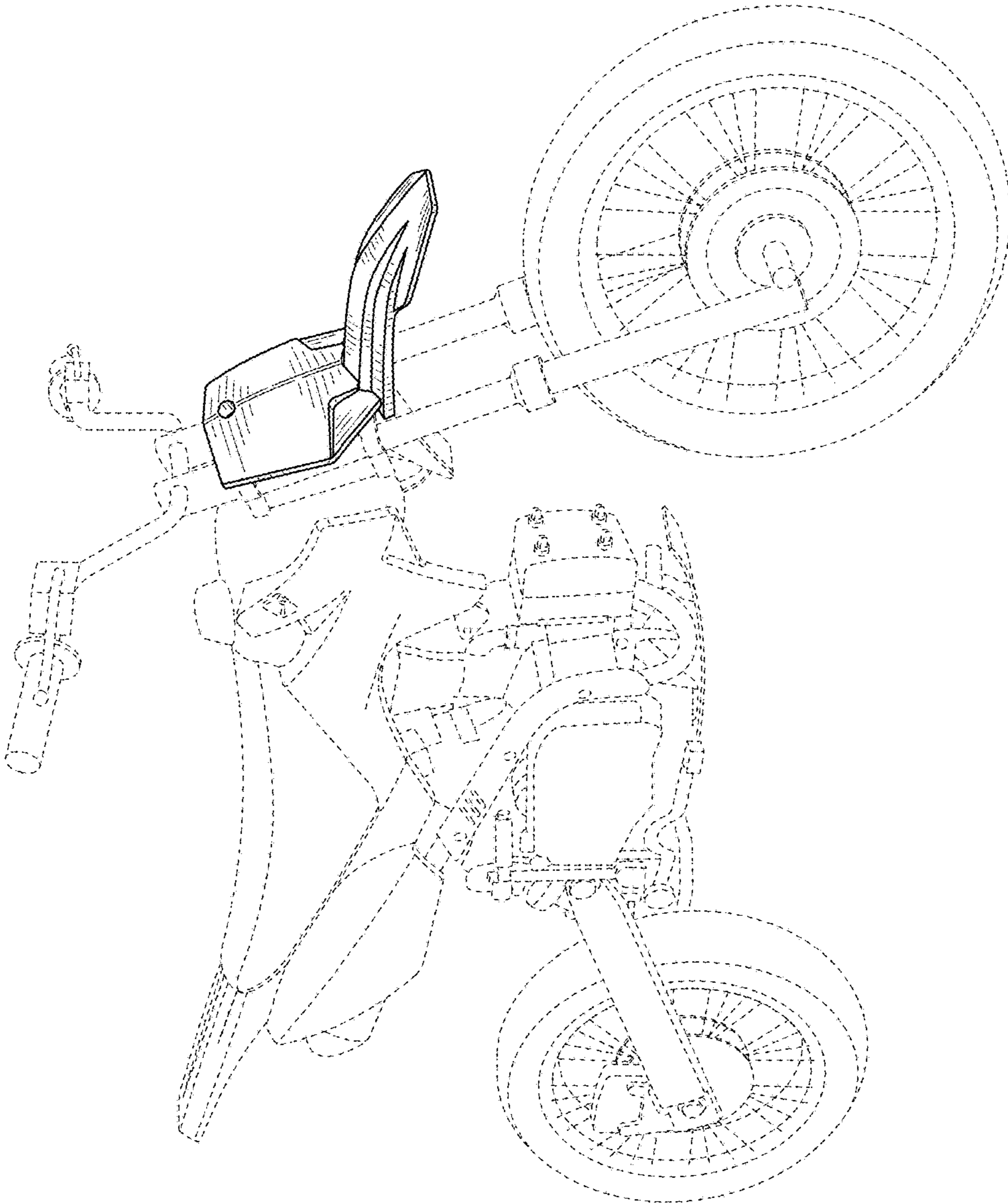


FIG. 1

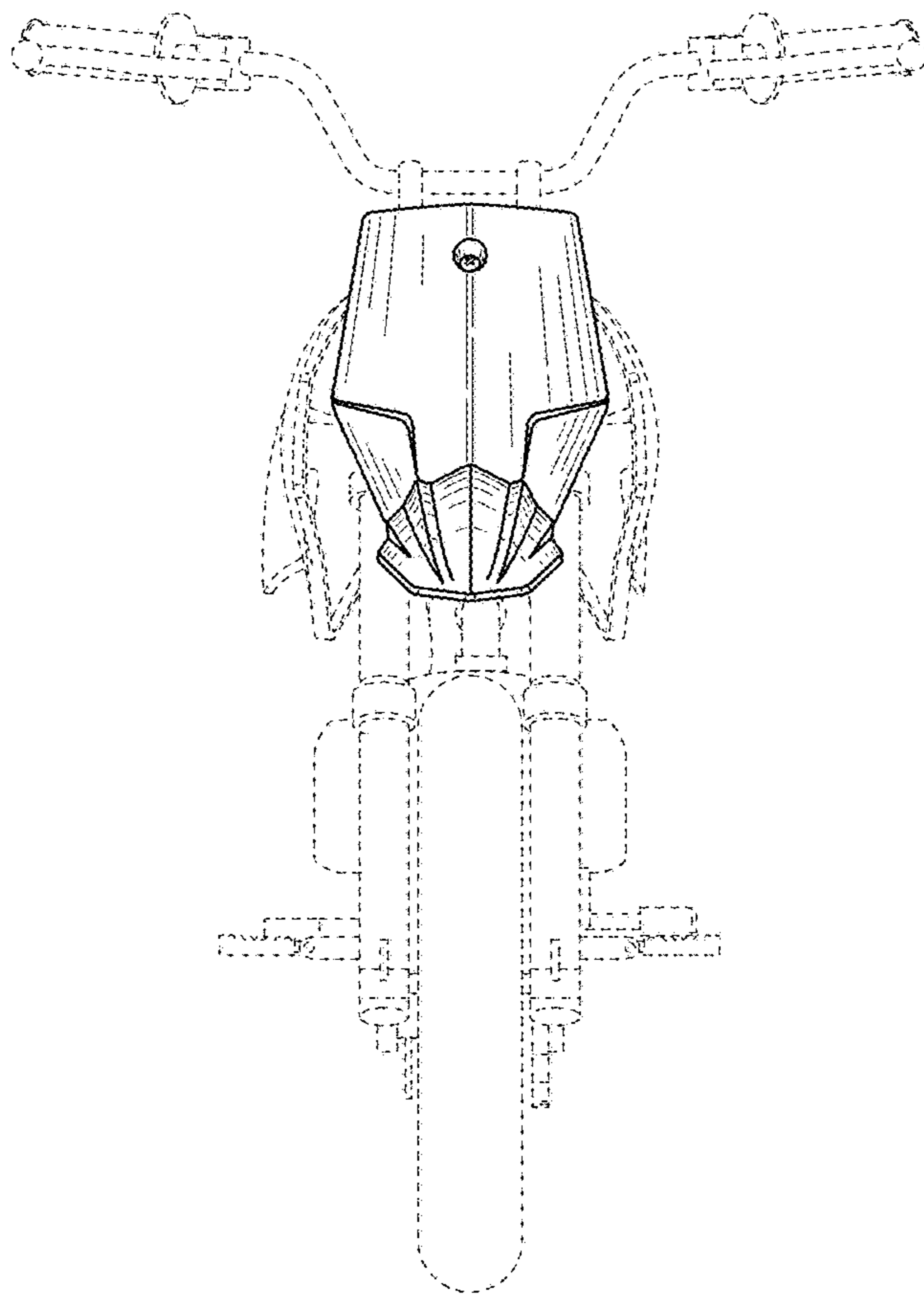


FIG. 2

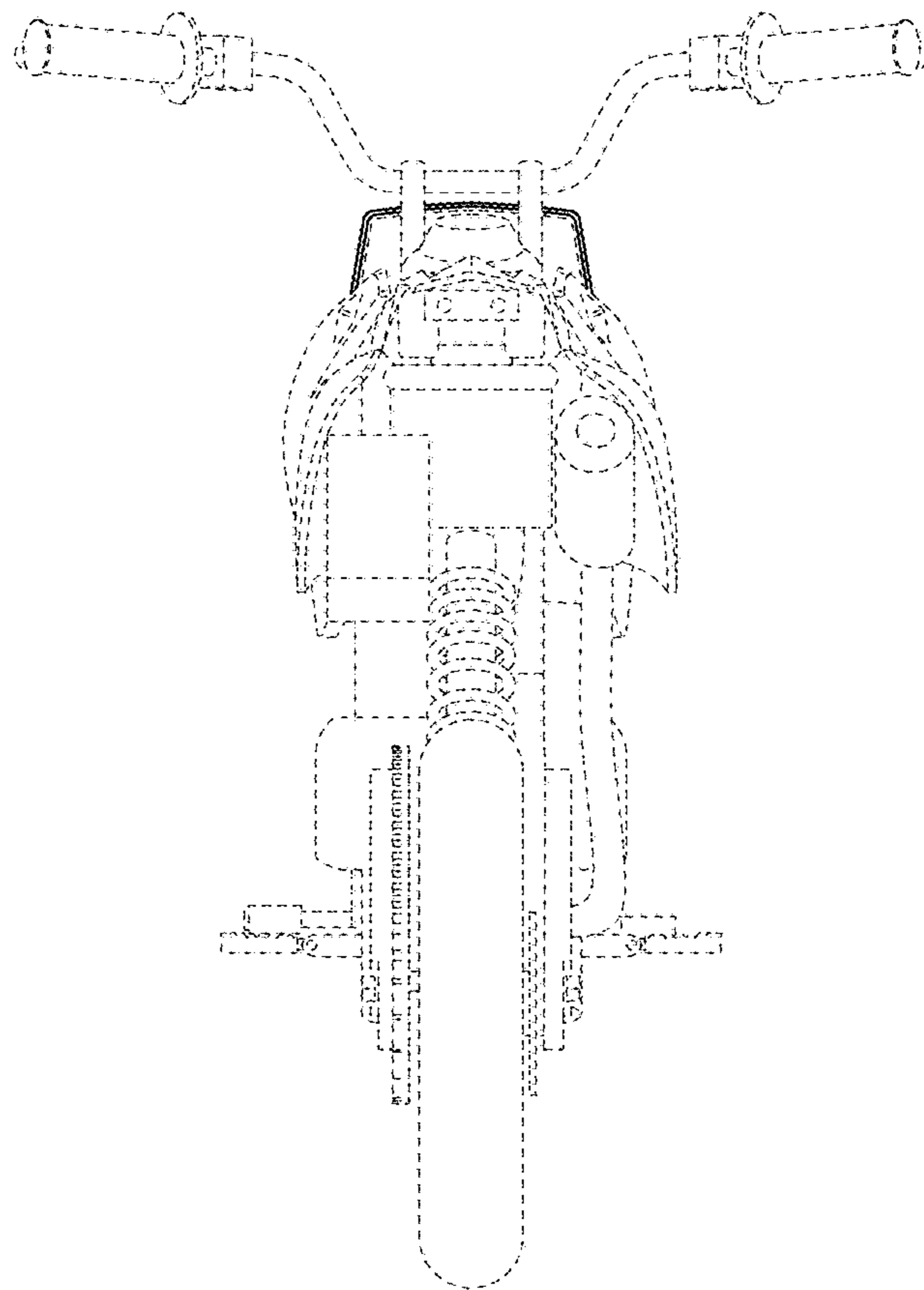


FIG. 3

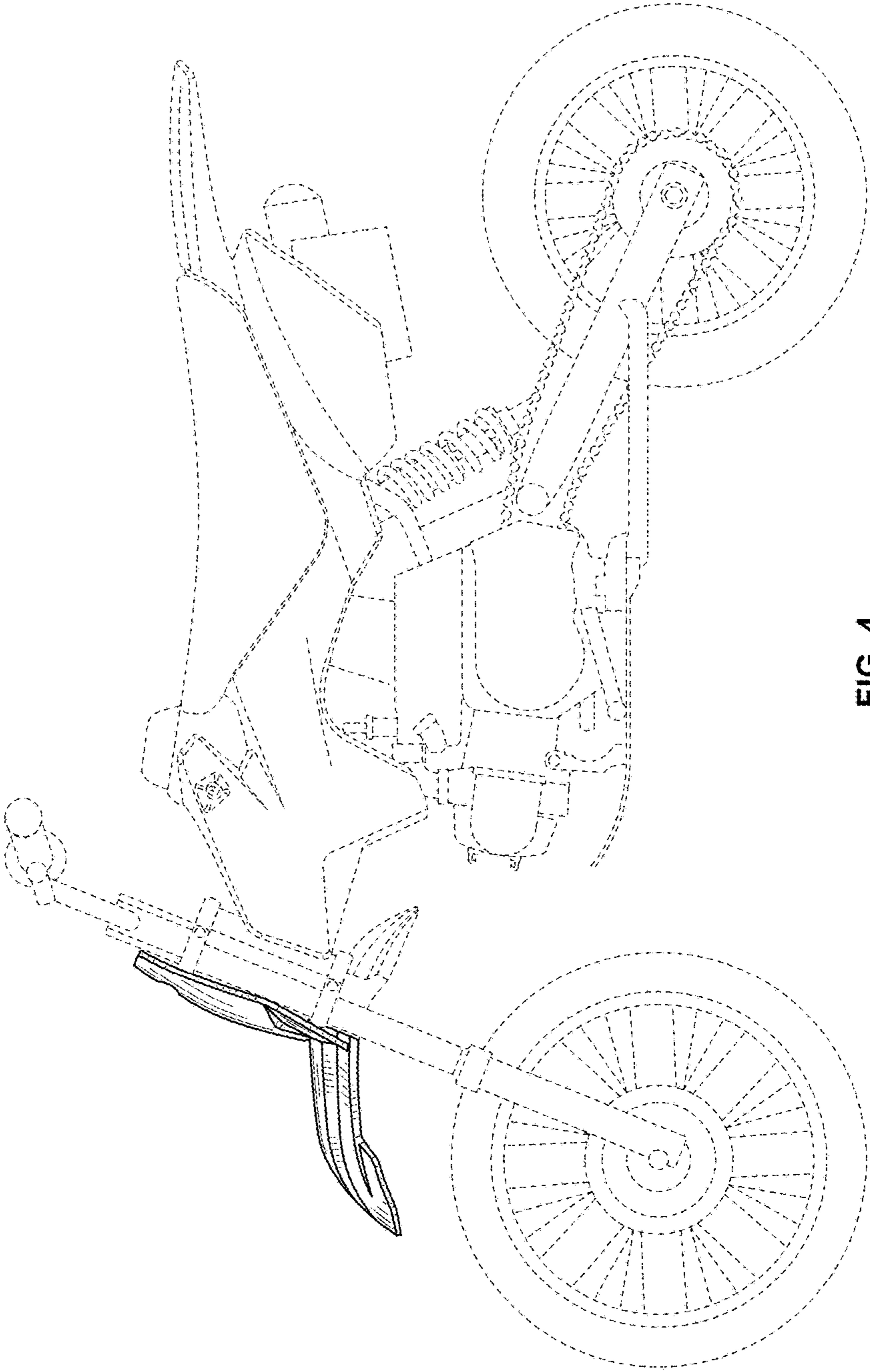


FIG. 4

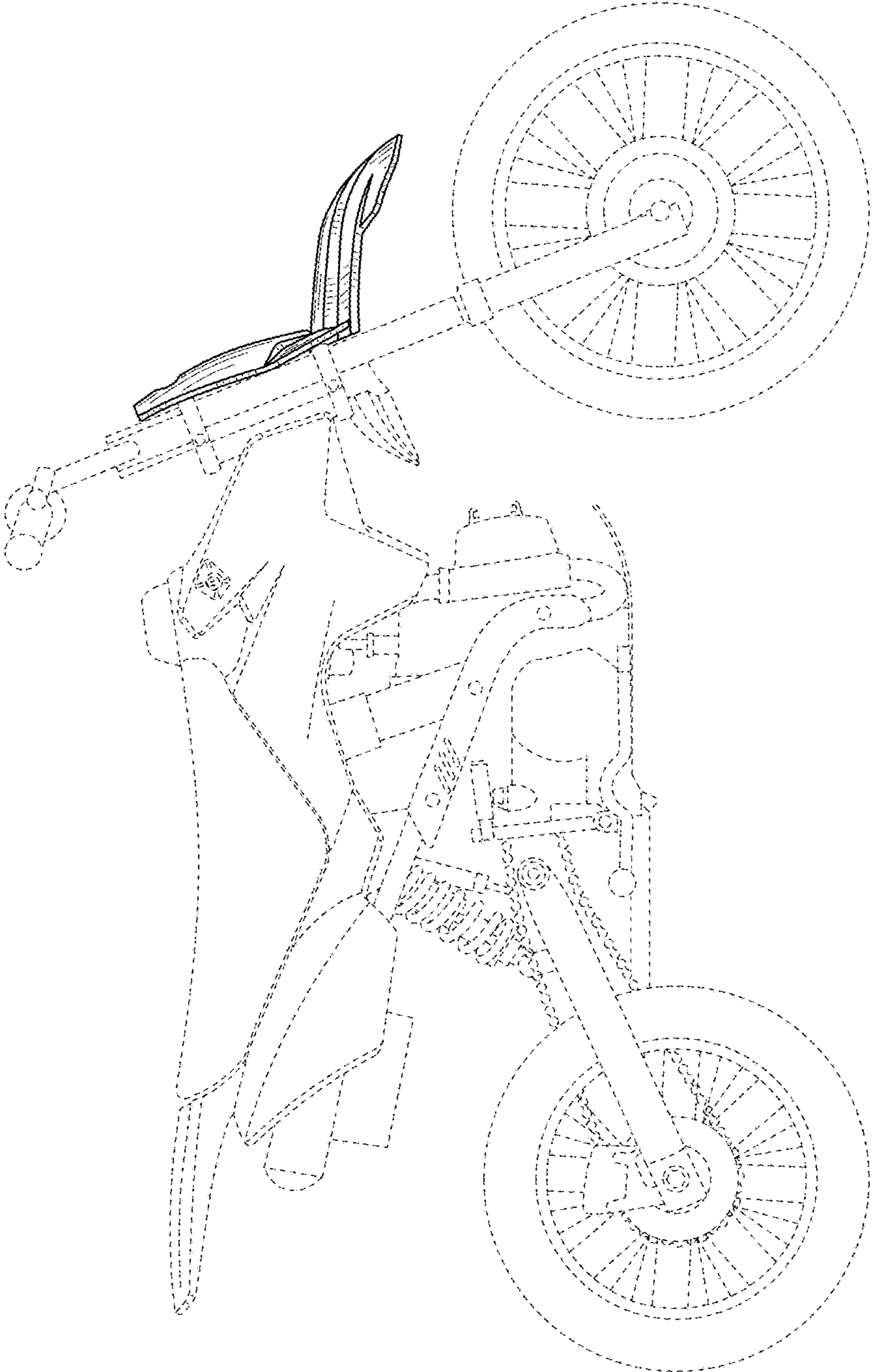


FIG. 5

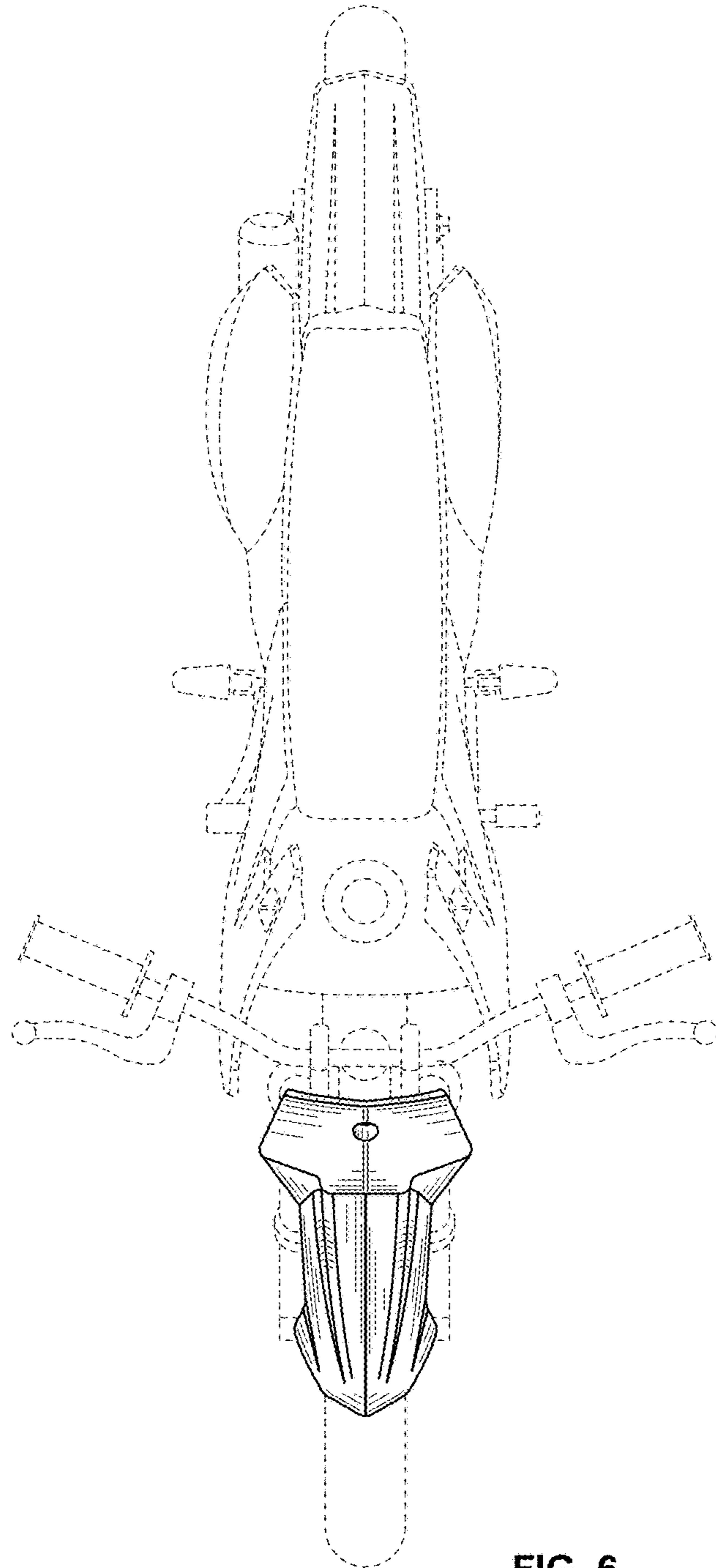


FIG. 6

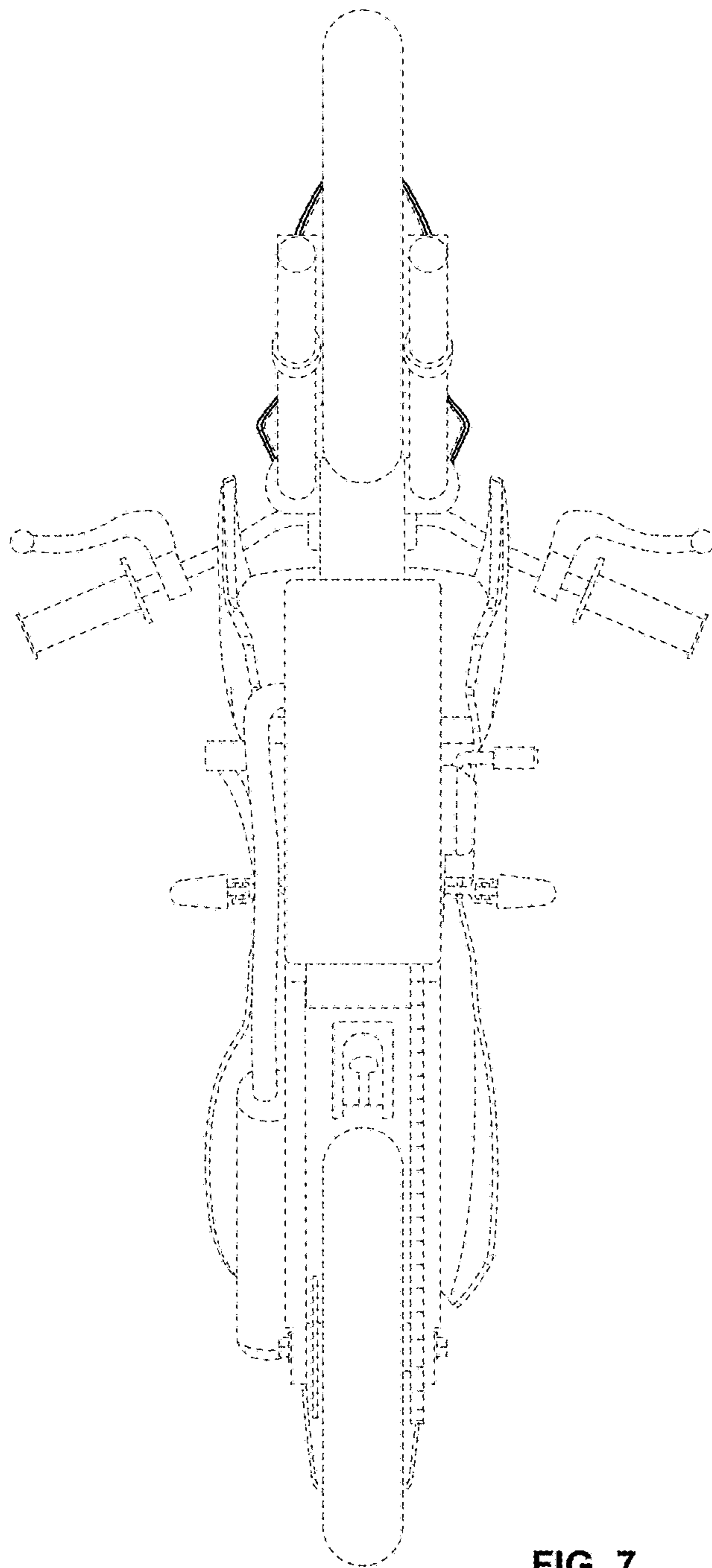


FIG. 7