



US00D867243S

(12) **United States Design Patent** (10) **Patent No.:** **US D867,243 S**  
**Schmölz** (45) **Date of Patent:** **\*\* Nov. 19, 2019**

(54) **SPOILER FOR MOTOR VEHICLE**

D498,720 S \* 11/2004 Dyson ..... D12/181  
D519,891 S \* 5/2006 Lai ..... D12/181  
D546,742 S \* 7/2007 Lai ..... D12/181  
D573,070 S \* 7/2008 Akasawa ..... D12/181

(71) Applicant: **Dr. Ing. h.c. F. Porsche**  
**Aktiengesellschaft, Stuttgart (DE)**

(Continued)

(72) Inventor: **Fabian Schmölz, Althengstett (DE)**

**FOREIGN PATENT DOCUMENTS**

(73) Assignee: **Dr. Ing. h.c. F. Porsche**  
**Aktiengesellschaft (DE)**

KR 19980049008 \* 10/1998

(\*\*) Term: **15 Years**

**OTHER PUBLICATIONS**

(21) Appl. No.: **29/645,864**

06-ON Porsche 997 Turbo BTR Rear Spoiler (P97HSATUR),  
GMPperformance.com, [online], [site visited Aug. 27, 2019]. <URL:  
https://www.gmpperformance.com/product/163131/06-on-porsche-  
997-turbo-btr-rear-spoiler> (Year: 2019).\*

(22) Filed: **Apr. 30, 2018**

2017 Porsche 911 Carrera GTS Coupe Rear Spoiler, Motortrend.  
com, Elly—Jan. 26, 2017, [online], [site visited Aug. 27, 2019].  
<URL: https://www.motortrend.com/2017-porsche-911-carrera-gts-  
coupe-rear-spoiler/> (Year: 2017).\*

(30) **Foreign Application Priority Data**

Nov. 9, 2017 (DE) ..... 40 2017 101 213

(51) **LOC (12) Cl.** ..... **12-16**

(52) **U.S. Cl.**  
USPC ..... **D12/181**

(58) **Field of Classification Search**  
USPC .... D12/91, 96, 99, 400, 181, 182, 183, 184,  
D12/185, 190, 191, 192, 195, 414-426,  
D12/106, 345  
CPC .... B62D 35/02; B62D 35/005; B62D 35/007;  
B29C 65/06; B60J 1/20; B60R 7/04;  
B60R 7/18

See application file for complete search history.

(56) **References Cited**

**U.S. PATENT DOCUMENTS**

D254,907 S \* 5/1980 Envall ..... D12/181  
D278,046 S \* 3/1985 Kerschbaum ..... D12/181  
D373,558 S \* 9/1996 Saleen ..... D12/181  
D376,341 S \* 12/1996 Kovach ..... D12/181  
D401,199 S \* 11/1998 Kovach ..... D12/181  
D413,560 S \* 9/1999 Sambell ..... D12/181  
D420,314 S \* 2/2000 Kulla ..... D12/181  
D422,544 S \* 4/2000 Carlson ..... D12/181  
D436,905 S \* 1/2001 Bhambra ..... D12/181  
D441,331 S \* 5/2001 Hatter ..... D12/181  
D467,843 S \* 12/2002 Hatter ..... D12/181

(Continued)

*Primary Examiner* — T Chase Nelson

*Assistant Examiner* — Jonathan J. Han

(74) *Attorney, Agent, or Firm* — RatnerPrestia

(57) **CLAIM**

The ornamental design for a spoiler for motor vehicle, as shown and described.

**DESCRIPTION**

FIG. 1 is a rear side perspective view of a spoiler for motor vehicle;

FIG. 2 is a front side perspective view thereof;

FIG. 3 is a front elevation view thereof;

FIG. 4 is a rear elevation view thereof;

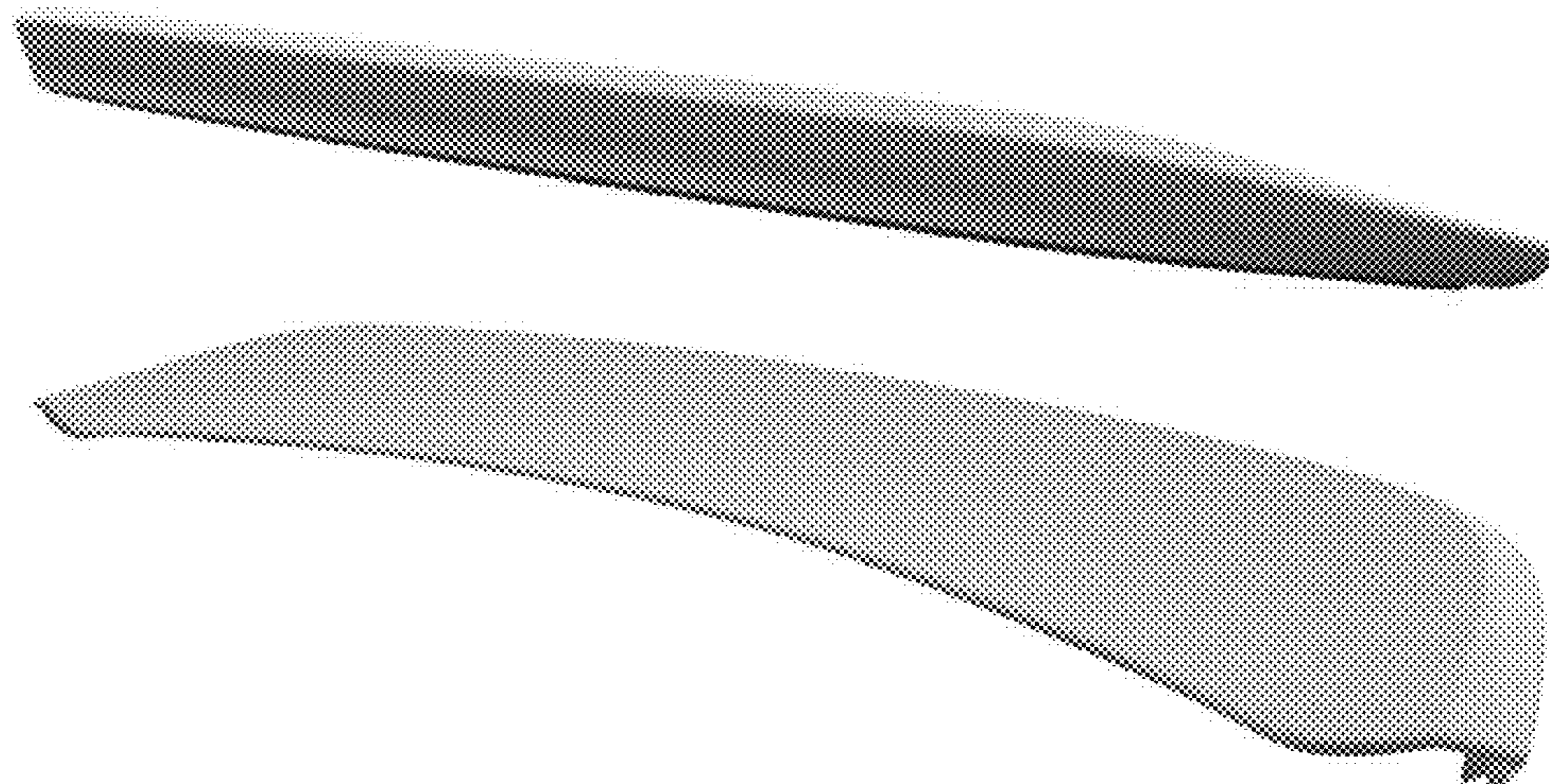
FIG. 5 is an enlarged elevation view thereof from the right side;

FIG. 6 is an enlarged elevation view thereof from the left side;

FIG. 7 is a top plan view thereof; and,

FIG. 8 is a bottom plan view thereof.

**1 Claim, 4 Drawing Sheets**



(56)

References Cited

U.S. PATENT DOCUMENTS

D606,918	S	*	12/2009	Larson	.....	D12/181
D607,385	S	*	1/2010	Krauss	.....	D12/181
D667,763	S		9/2012	Varga		
D669,005	S		10/2012	Varga		
D683,677	S		6/2013	Varga		
D686,124	S	*	7/2013	Kawasaki	.....	D12/181
D699,646	S	*	2/2014	Saracoglu	.....	D12/181
D716,204	S	*	10/2014	Butterworth	.....	D12/181
D717,221	S		11/2014	Borkert		
D722,929	S		2/2015	Hatter		
D725,559	S	*	3/2015	Robinson	.....	D12/181
D727,227	S	*	4/2015	Scheinhutte	.....	D12/181
D731,935	S		6/2015	Robinson		
D754,578	S	*	4/2016	Buck	.....	D12/181
D759,556	S	*	6/2016	Wheel	.....	D12/181
D763,751	S		8/2016	Varga		
D777,627	S	*	1/2017	Patel	.....	D12/181
D777,628	S	*	1/2017	Kozub	.....	D12/181
D782,946	S	*	4/2017	Wheel	.....	D12/181
D784,223	S	*	4/2017	Lee	.....	D12/181
D784,877	S	*	4/2017	Lee	.....	D12/181
D786,156	S	*	5/2017	Kang	.....	D12/181
D824,303	S	*	7/2018	Wheel	.....	D12/181
D827,524	S	*	9/2018	Behmer	.....	D12/181
D845,198	S	*	4/2019	Beaven	.....	D12/181

OTHER PUBLICATIONS

2018 Porsche Panamera S E Hybrid Rear Wing, Motortrend.com, Carol Ngo—Feb. 22, 2017, [online], [site visited Aug. 27, 2019]. <URL: <https://www.motortrend.com/2018-porsche-panamera-s-e-hybrid-rear-wing/>> (Year: 2017).\*

Street Scene Rear Spoiler, AutoAccessoriesGarage.com, [online], [site visited Aug. 27, 2019]. <URL: <https://www.autoaccessoriesgarage.com/Body-Kits/Street-Scene-Rear-Spoiler/>> (Year: 2019).\*

Design U.S. Appl. No. 29/579,465, by Scheinhütte, filed Sep. 30, 2016.

Design U.S. Appl. No. 29/590,061, by Scheinhütte, filed Jan. 6, 2017.

Design U.S. Appl. No. 29/591,933, by Varga, filed Jan. 25, 2017.

Design U.S. Appl. No. 29/592,897, by Yamashita, filed Feb. 3, 2017.

Design U.S. Appl. No. 29/613,579, Scheinhütte et al., filed August 11, 2017.

Design U.S. Appl. No. 29/615,767, by Baum et al., filed August 31, 2017.

Design U.S. Appl. No. 29/621,335, by Burki, filed October 6, 2017.

Design U.S. Appl. No. 29/621,739, by Scheinhütte, filed Oct. 11, 2017.

Design U.S. Appl. No. 29/645,452, by Schmölz, filed April 26, 2018.

Design U.S. Appl. No. 29/645,453, by Schmölz, filed April 26, 2018.

\* cited by examiner

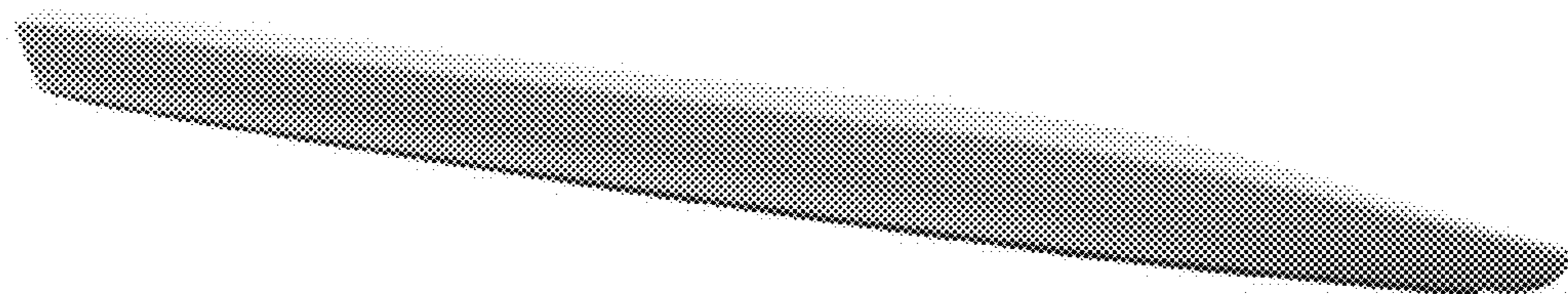


FIG. 1

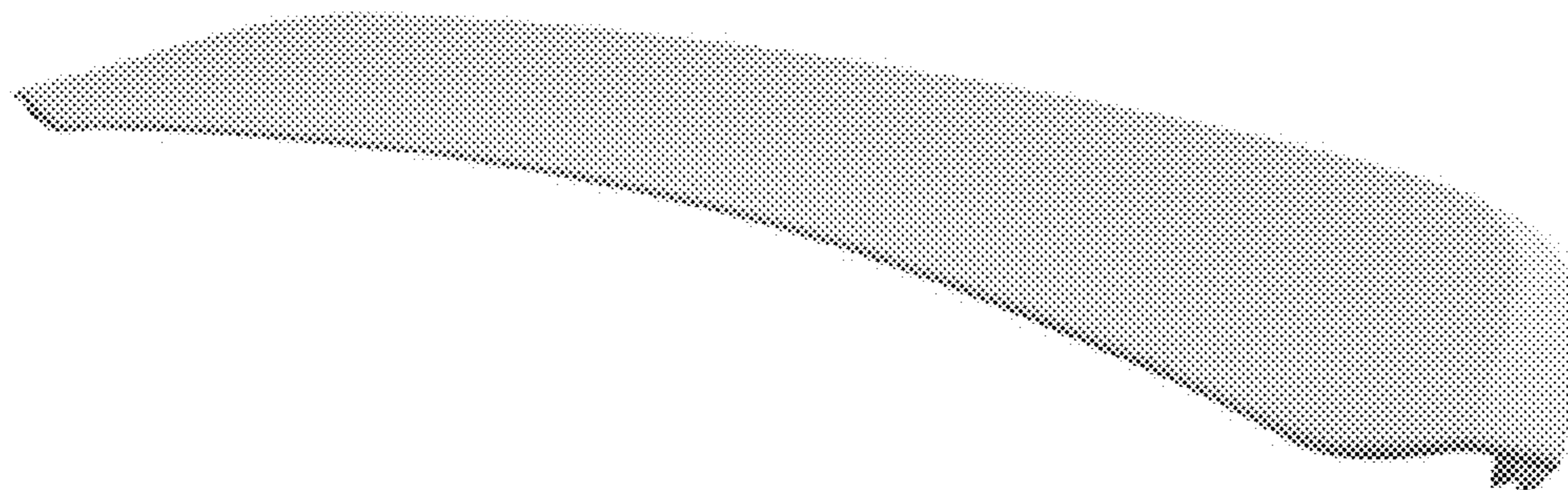


FIG. 2



FIG. 3

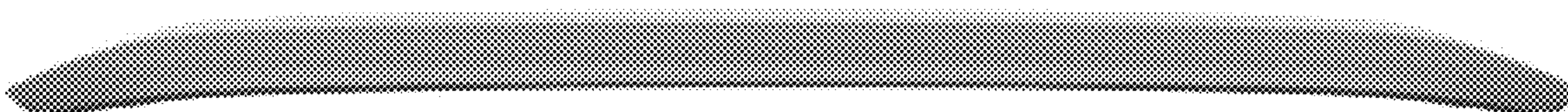


FIG. 4

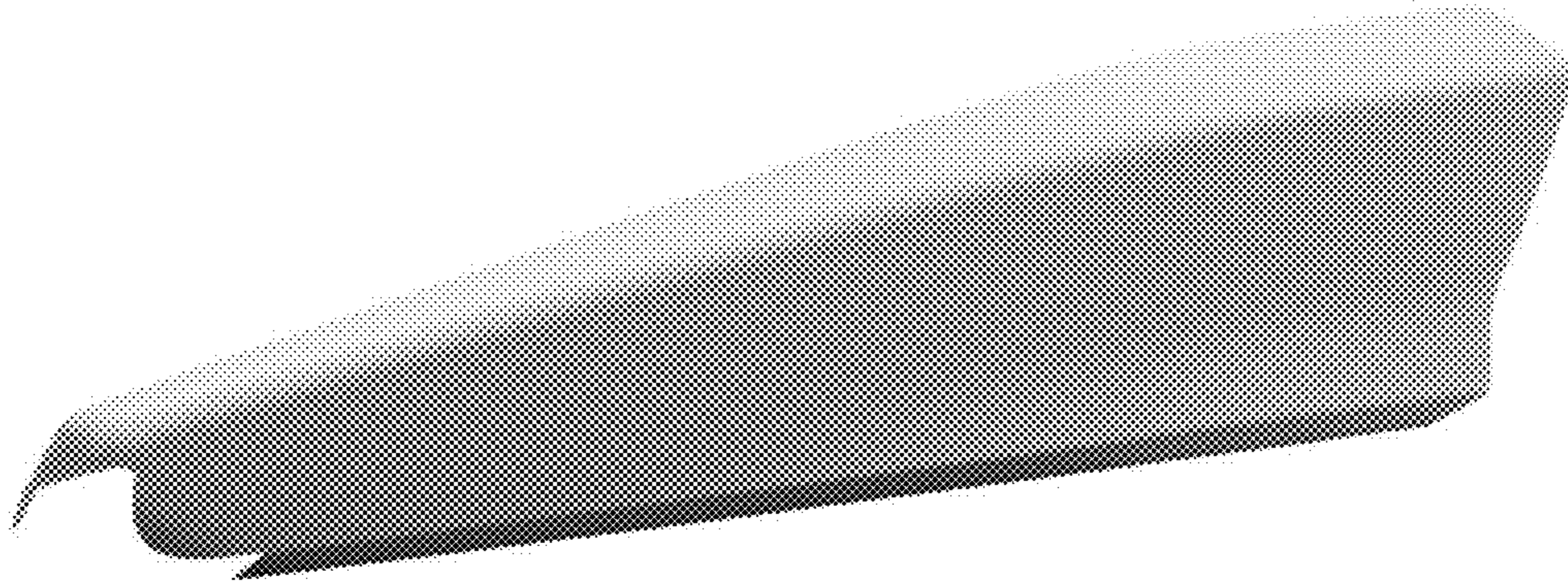


FIG. 5

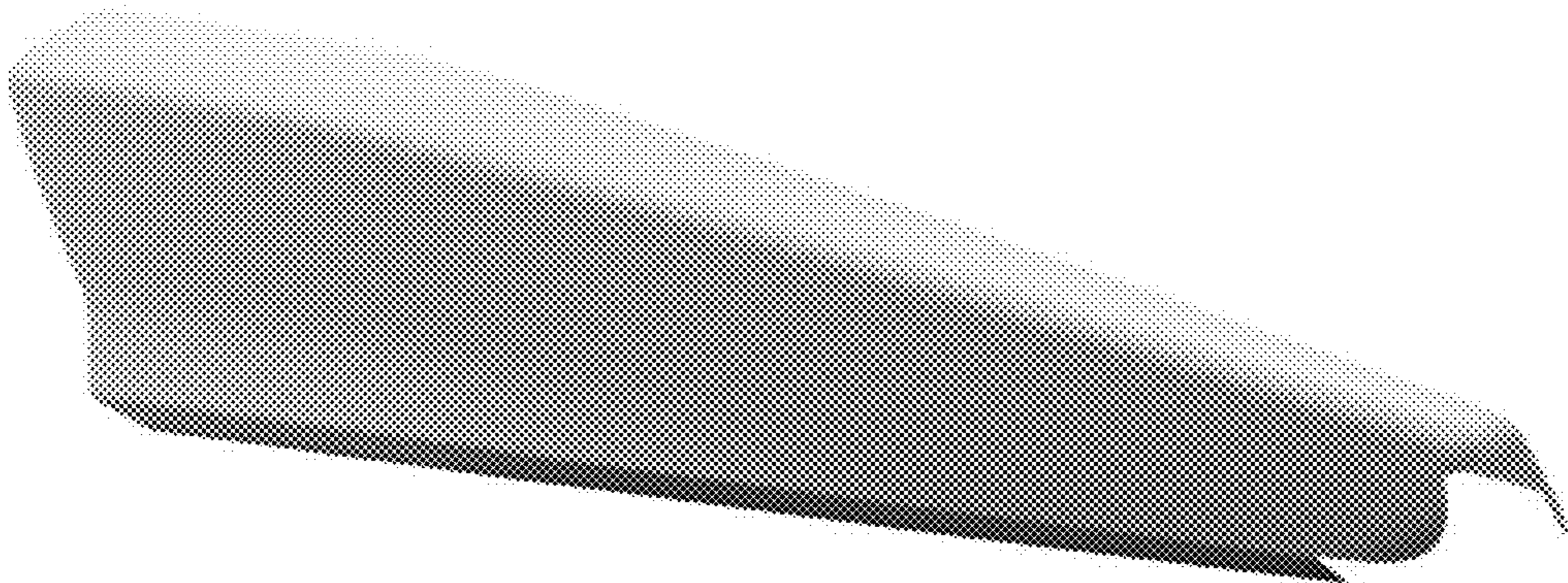


FIG. 6

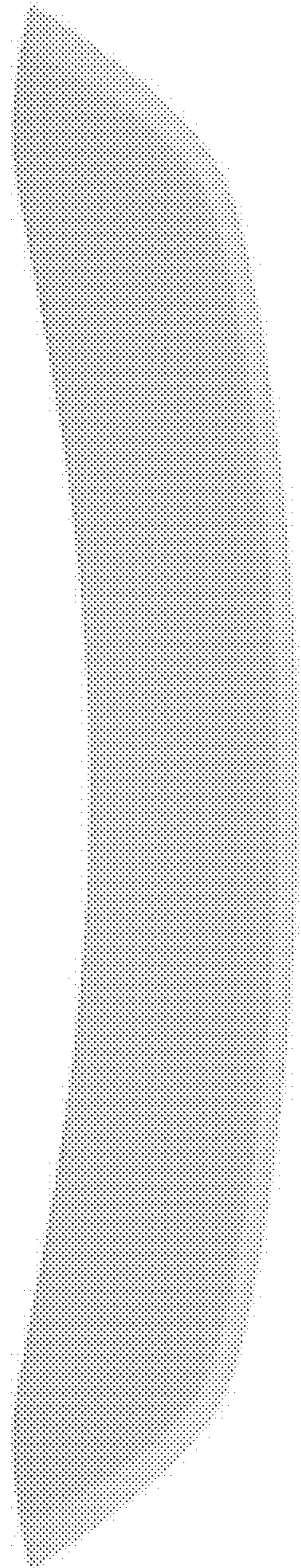


FIG. 7

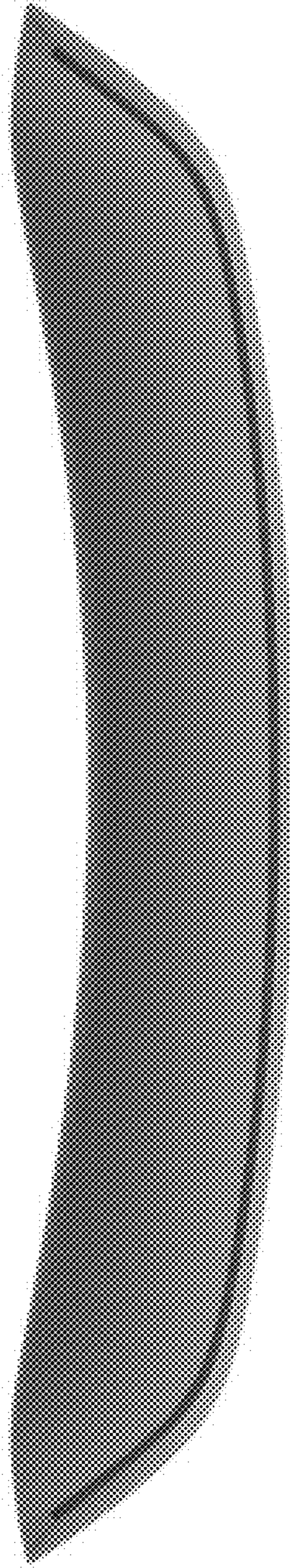


FIG. 8