



US00D867239S

(12) **United States Design Patent** (10) **Patent No.:** **US D867,239 S**  
**Kodama et al.** (45) **Date of Patent:** **\*\* Nov. 19, 2019**

(54) **BRAKE CONTROL UNIT**  
(71) Applicant: **NISSIN KOGYO CO., LTD.**, Tomi, Nagano (JP)  
(72) Inventors: **Takuro Kodama**, Tomi (JP); **Kentaro Chiba**, Tomi (JP)  
(73) Assignee: **NISSIN KOGYO CO., LTD.**, Tomi (JP)  
(\*\*) Term: **15 Years**  
(21) Appl. No.: **29/611,959**  
(22) Filed: **Jul. 27, 2017**

(30) **Foreign Application Priority Data**  
Jan. 31, 2017 (JP) ..... 2017-001713  
Jan. 31, 2017 (JP) ..... 2017-001714

(51) **LOC (12) Cl.** ..... **12-16**  
(52) **U.S. Cl.**  
USPC ..... **D12/180**  
(58) **Field of Classification Search**  
USPC ..... D12/123, 179, 180  
CPC ..... B60T 8/3685; B60T 8/368; B60T 8/344;  
B60T 8/3675; B60T 8/171; B60T 8/3225;  
B60T 8/00; B60T 13/662  
See application file for complete search history.

(56) **References Cited**  
U.S. PATENT DOCUMENTS  
5,449,227 A \* 9/1995 Steinberg ..... B60T 8/3675  
251/129.15  
6,416,139 B2 \* 7/2002 Warner ..... B60T 8/171  
188/181 A  
D546,252 S \* 7/2007 Belisle ..... D12/180  
D586,272 S \* 2/2009 Schulz ..... D12/180

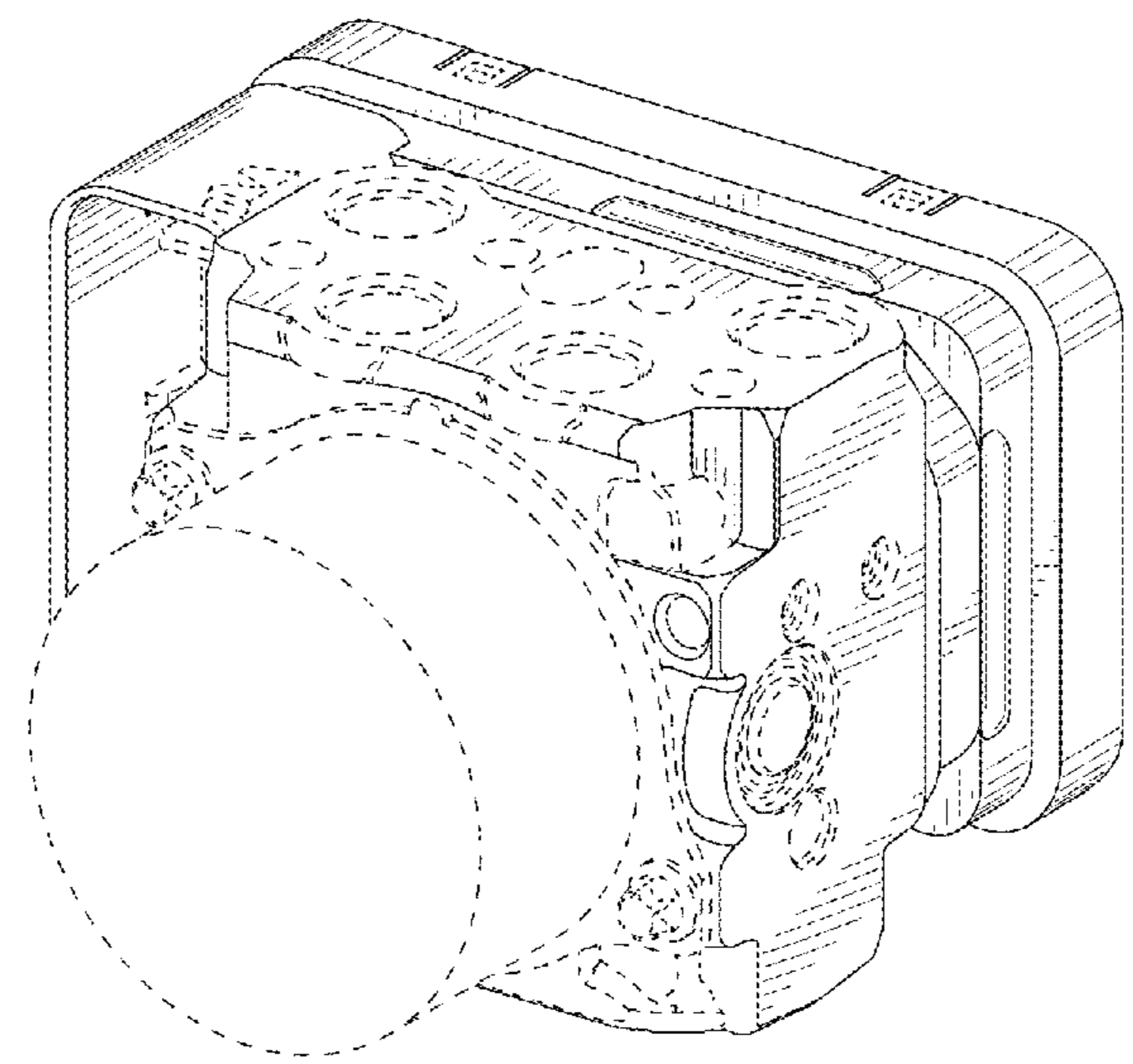
7,720,589 B2 \* 5/2010 Hashiba ..... B60T 8/368  
180/271  
2009/0001808 A1 \* 1/2009 Kodama ..... B60T 8/368  
303/119.1  
2011/0239641 A1 \* 10/2011 Kodama ..... B60T 8/368  
60/585  
2011/0265901 A1 \* 11/2011 Kodama ..... B60T 8/368  
137/899  
2012/0132837 A1 \* 5/2012 Kodama ..... B60T 8/368  
251/129.01  
2012/0241036 A1 \* 9/2012 Kodama ..... B60T 8/3685  
137/899  
2015/0137589 A1 \* 5/2015 Iyatani ..... B60T 8/368  
303/20  
2018/0056966 A1 \* 3/2018 Atsushi ..... B60T 8/3225  
2018/0162332 A1 \* 6/2018 Nakazawa ..... B60T 8/00

\* cited by examiner  
*Primary Examiner* — Susan E Krakower  
*Assistant Examiner* — Jerry Shiuan-Hua Hsu  
(74) *Attorney, Agent, or Firm* — Rankin, Hill & Clark LLP

(57) **CLAIM**  
The ornamental design for a brake control unit, as shown and described.

**DESCRIPTION**  
FIG. 1 is a front right perspective view of a brake control unit, showing our new design;  
FIG. 2 is a rear right perspective view thereof;  
FIG. 3 is a top plan view thereof;  
FIG. 4 is a bottom plan view thereof;  
FIG. 5 is a front elevational view thereof;  
FIG. 6 is a rear elevational view thereof;  
FIG. 7 is a left side elevational view thereof; and,  
FIG. 8 is a right side elevational view thereof.  
The broken lines illustrate portions of the brake control unit that form no part the claimed design.

**1 Claim, 4 Drawing Sheets**



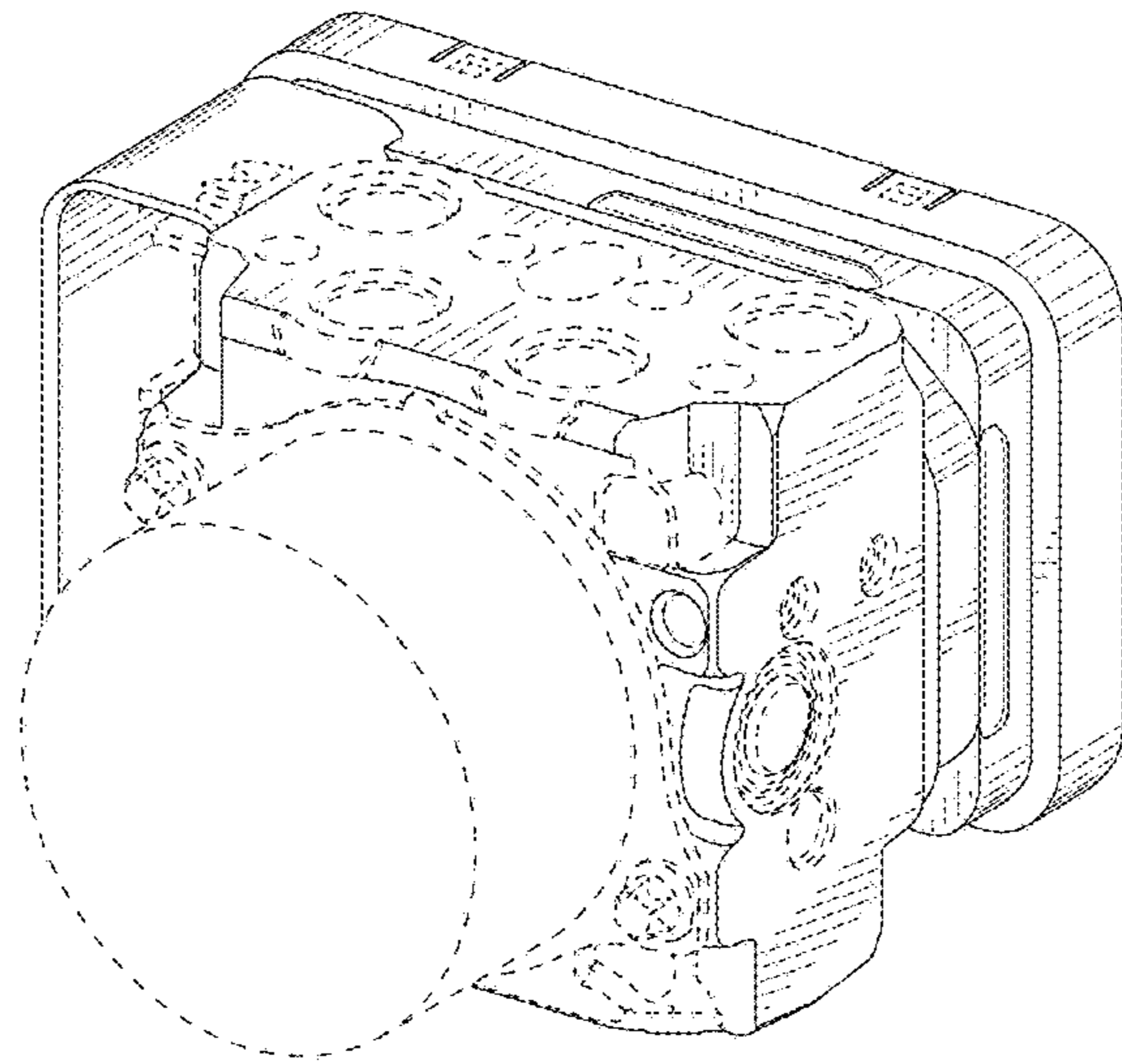


FIG. 1

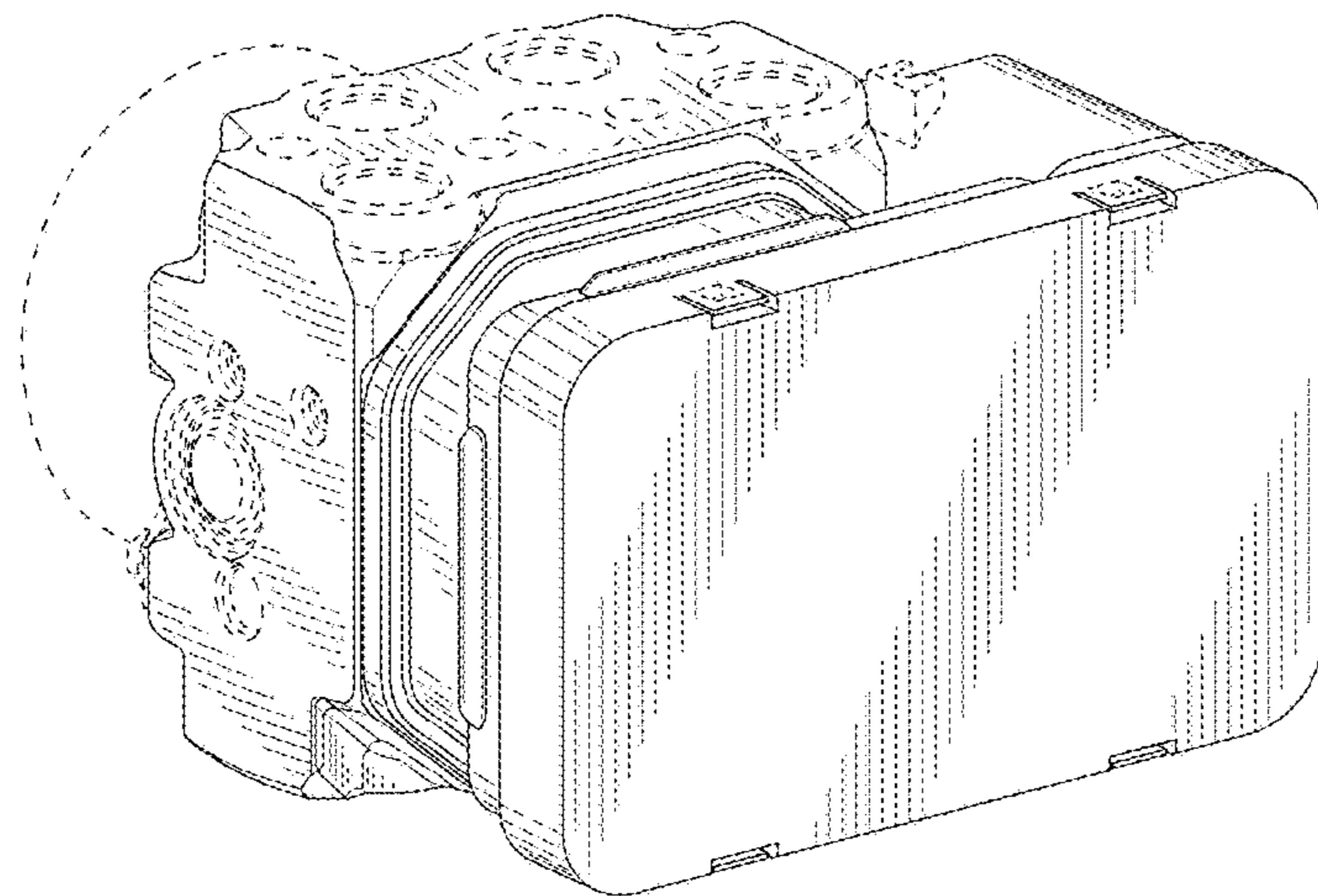


FIG. 2

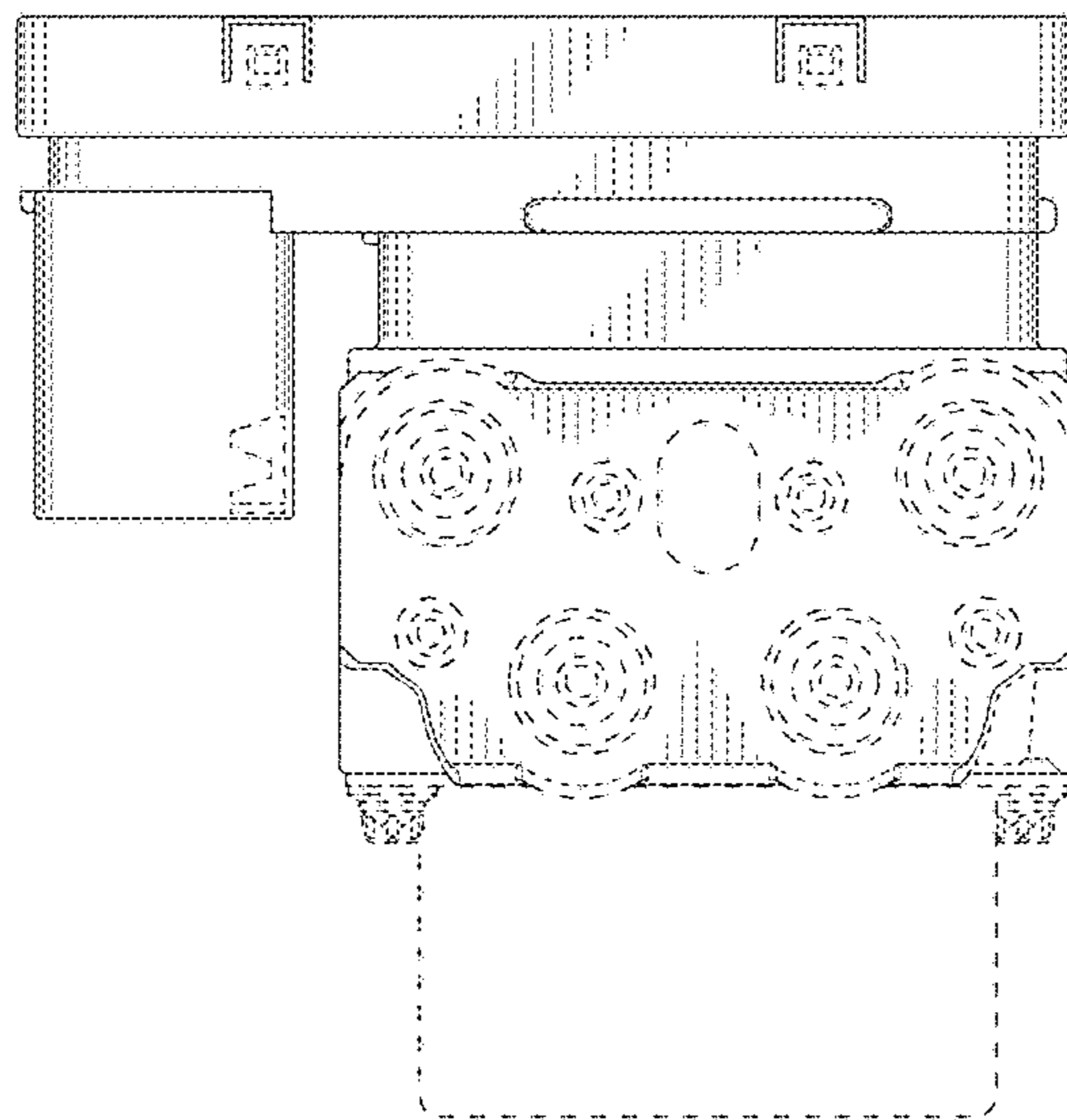


FIG. 3

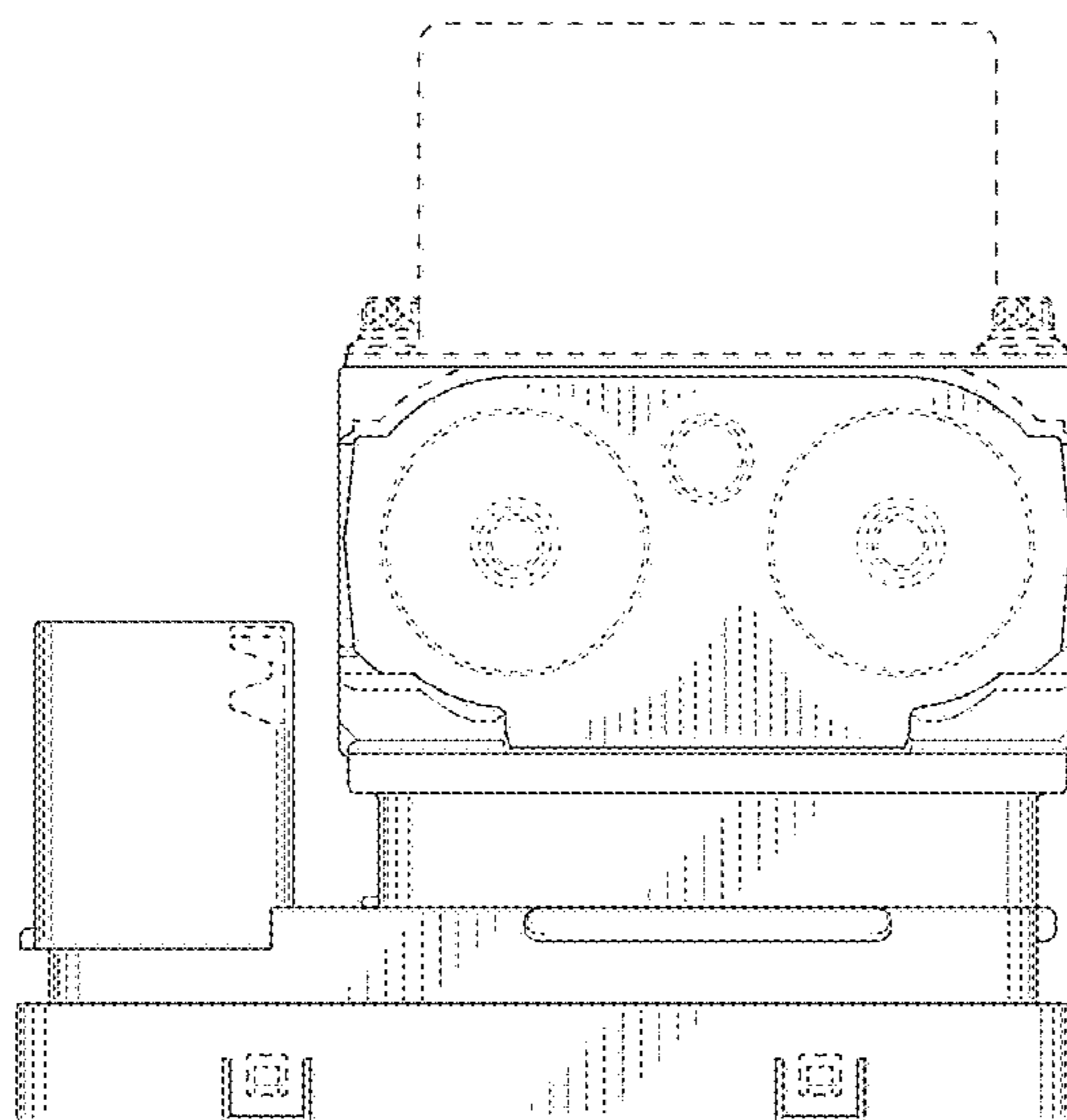


FIG. 4

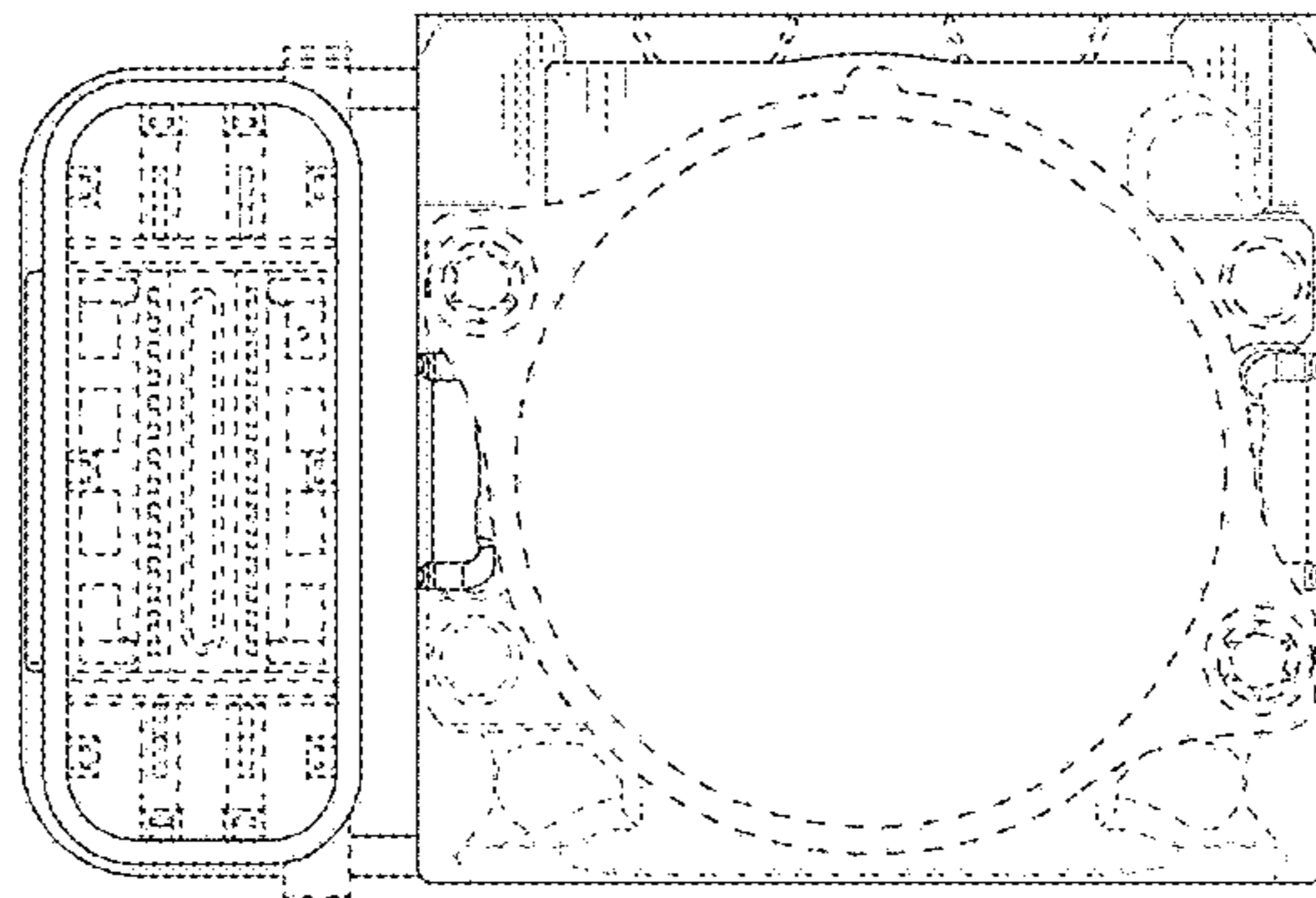


FIG. 5

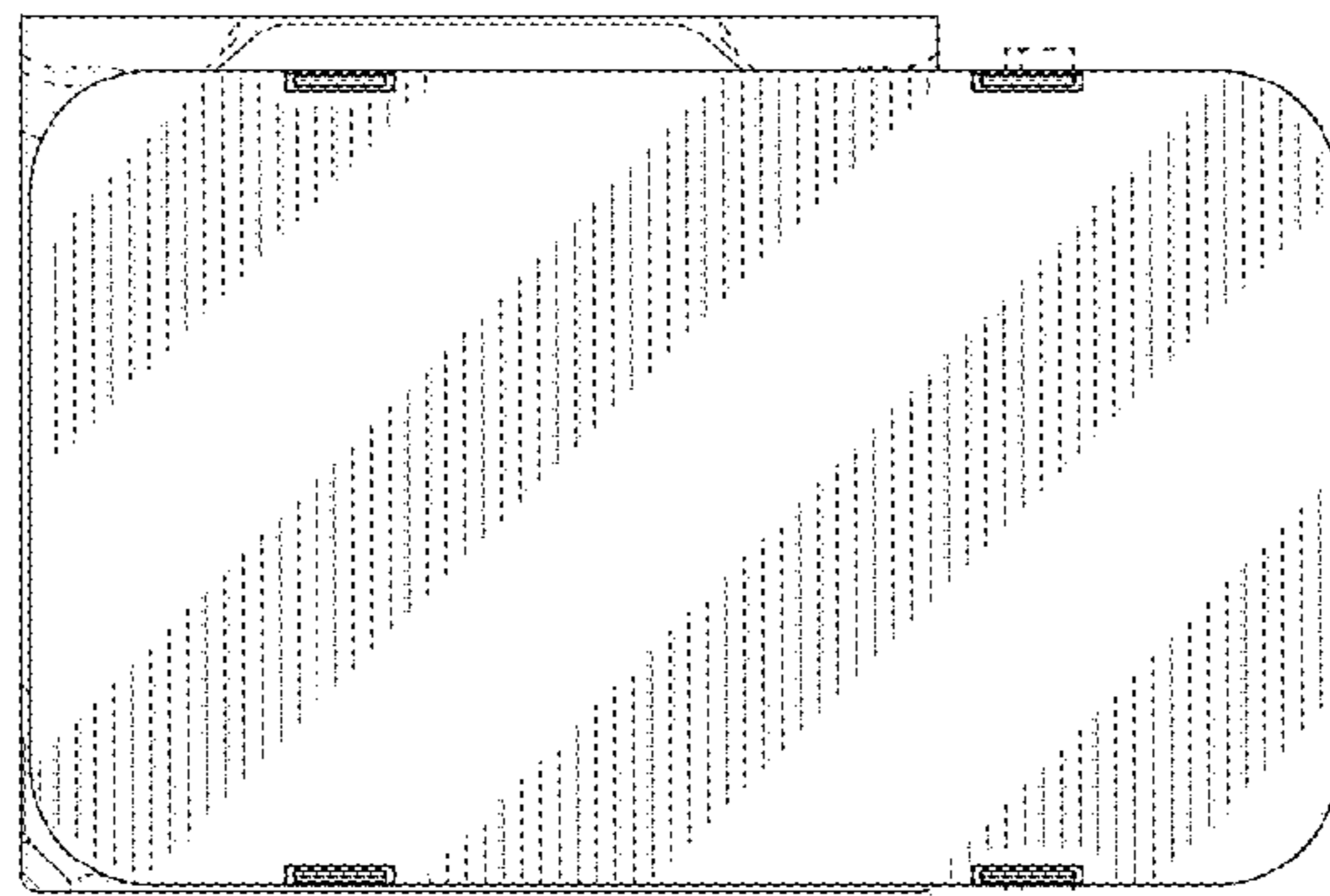


FIG. 6

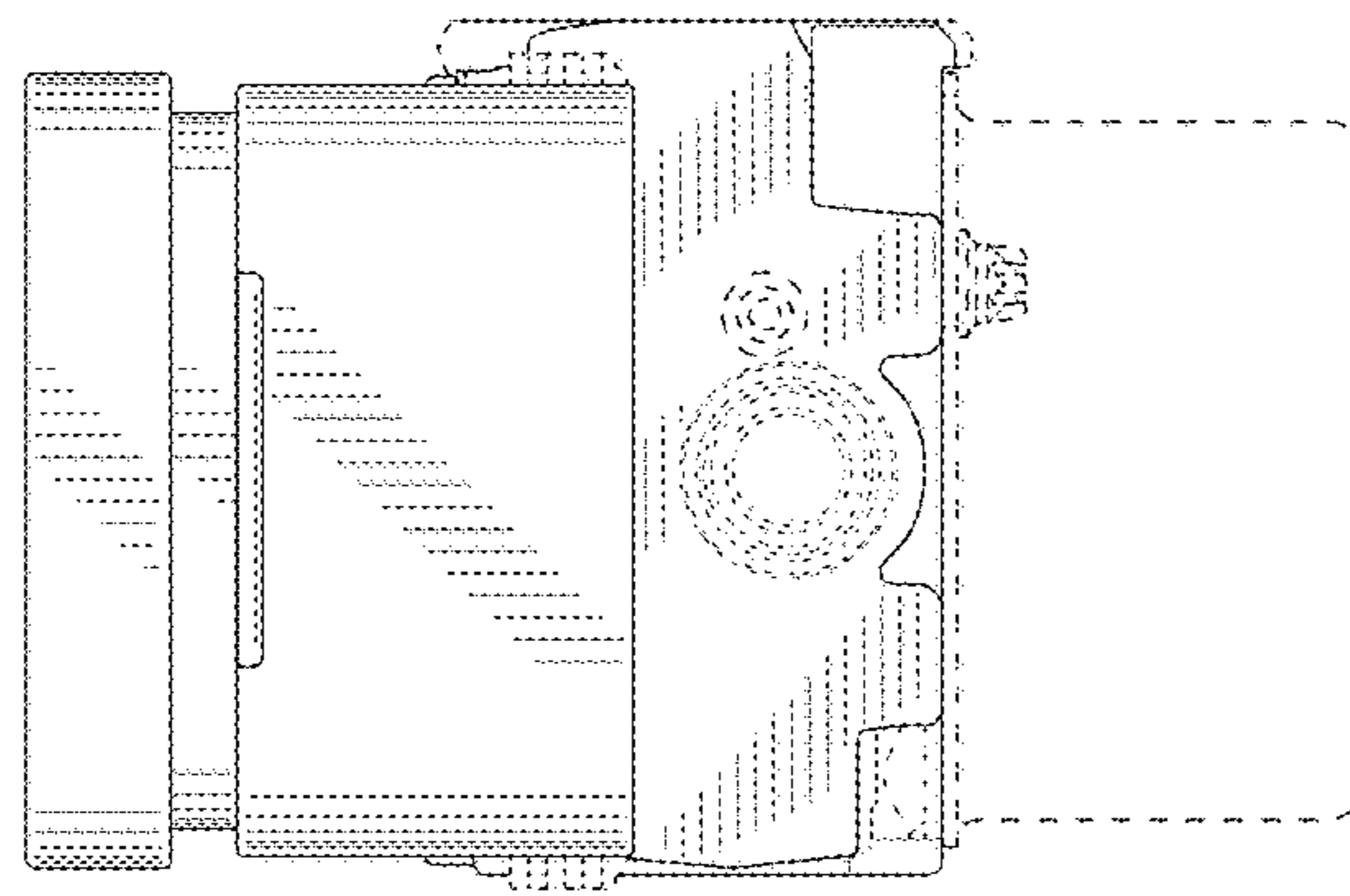


FIG. 7

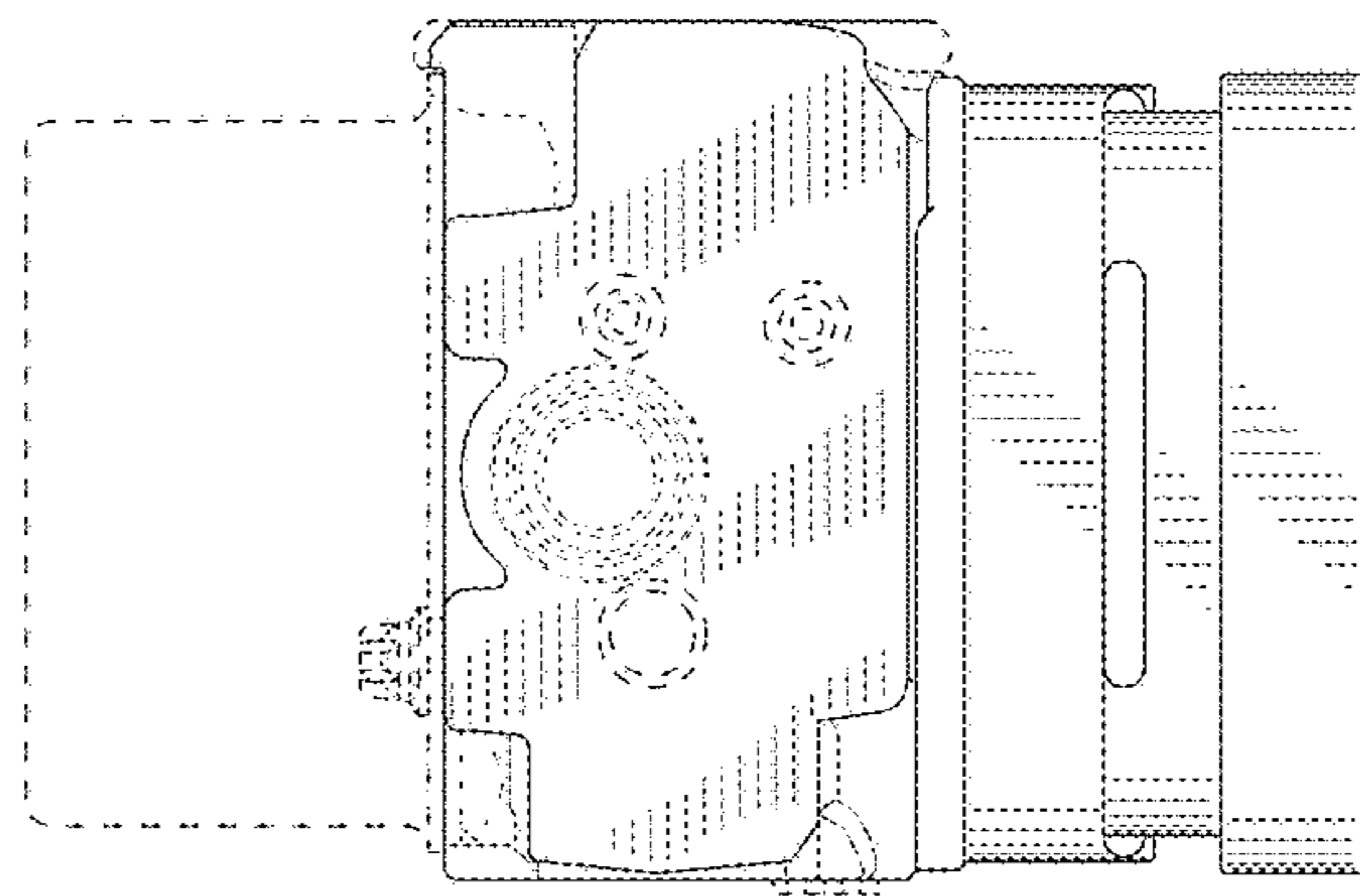


FIG. 8