

US00D867238S

(12) **United States Design Patent** (10) **Patent No.:** **US D867,238 S**
Mariotti et al. (45) **Date of Patent:** **** Nov. 19, 2019**

(54) **CONTROL AND INDICATOR UNIT FOR A FORKLIFT**

CPC B60R 16/037; B62D 1/00; B62D 1/02;
B62D 1/04; B62D 1/16; B62D 5/003;
G05G 1/10

(71) Applicant: **OM Carrelli Elevatori S.p.A.**, Lainate (IT)

See application file for complete search history.

(72) Inventors: **Fabio Mariotti**, Guastalla (IT);
Fabrizio Castagnoli, Suzzara (IT)

(56) **References Cited**

U.S. PATENT DOCUMENTS

(73) Assignee: **STILL S.P.A.**, Lainate (IT)

D362,098 S	9/1995	Heiler
D364,029 S	11/1995	Noonan et al.
D384,478 S	9/1997	Prehn et al.
D393,493 S	4/1998	Lee
D441,515 S	5/2001	Brandt et al.
D445,552 S	7/2001	Pulskamp et al.
D445,553 S	7/2001	Pulskamp et al.
D497,463 S	10/2004	Swetish
D515,770 S	2/2006	Ryan et al.
D563,074 S	2/2008	Standke

(**) Term: **15 Years**

(21) Appl. No.: **29/666,606**

(22) Filed: **Oct. 15, 2018**

(Continued)

Related U.S. Application Data

(62) Division of application No. 29/592,242, filed on Jan. 27, 2017, now Pat. No. Des. 850,336.

Primary Examiner — Mark A Goodwin

(74) *Attorney, Agent, or Firm* — The Webb Law Firm

(30) **Foreign Application Priority Data**

(57) **CLAIM**

Jul. 29, 2016	(EM)	003324011-0001
Jul. 29, 2016	(EM)	003324011-0002
Jul. 29, 2016	(EM)	003324011-0003
Jul. 29, 2016	(EM)	003324011-0004
Jul. 29, 2016	(EM)	003324011-0005
Jul. 29, 2016	(EM)	003324011-0006
Jul. 29, 2016	(EM)	003324011-0007
Jul. 29, 2016	(EM)	003324011-0008
Jul. 29, 2016	(EM)	003324011-0009
Jul. 29, 2016	(EM)	003324011-0010
Jul. 29, 2016	(EM)	003324011-0011
Jul. 29, 2016	(EM)	003324011-0012

The ornamental design for a control and indicator unit for a forklift, as shown and described.

DESCRIPTION

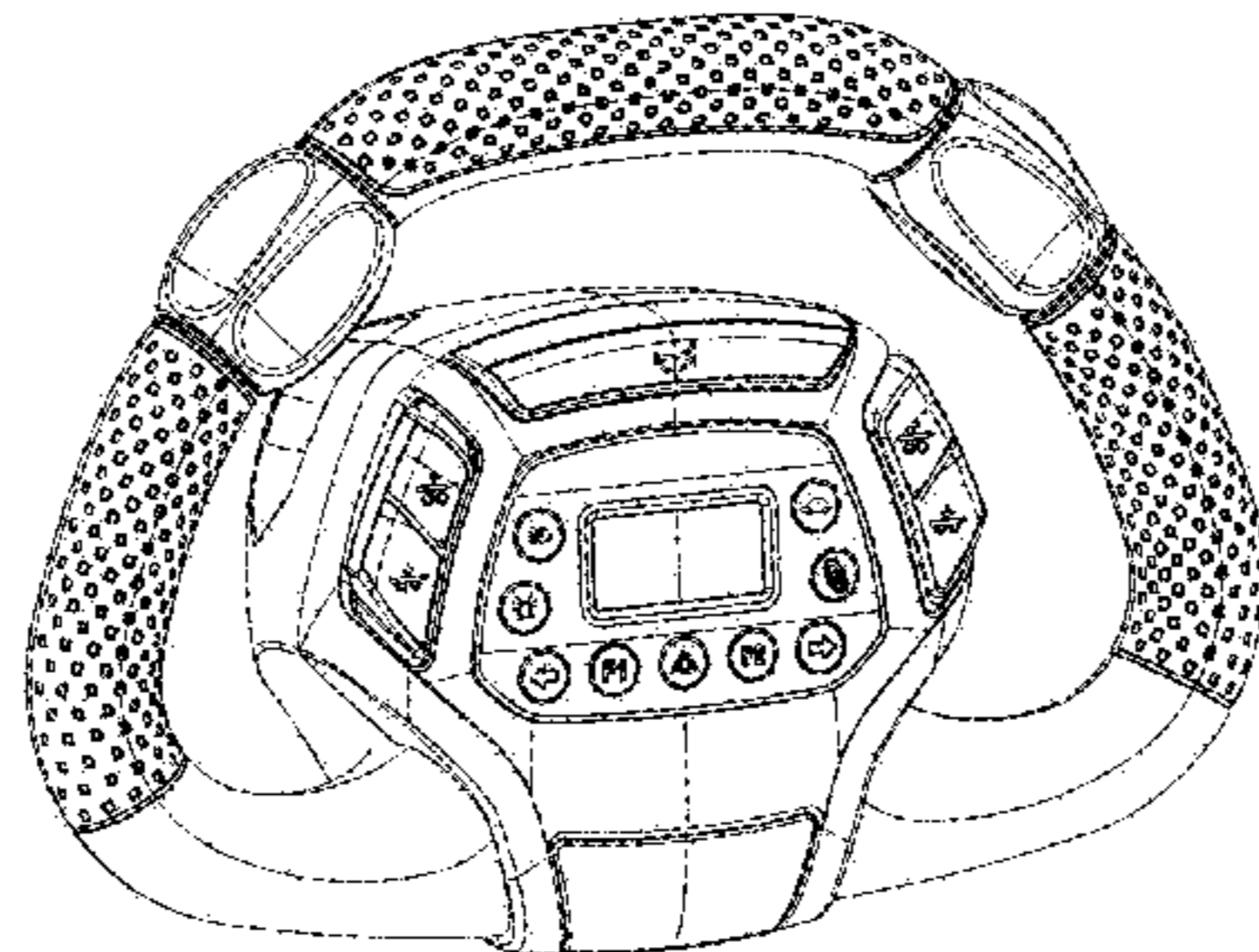
FIG. 1 is a front perspective view of a first embodiment of a control and indicator unit for a forklift in accordance with the present design;
 FIG. 2 is a front elevation view thereof;
 FIG. 3 is a left side elevation view thereof;
 FIG. 4 is a rear elevation view thereof;
 FIG. 5 is a right side elevation view thereof;
 FIG. 6 is a top plan view thereof; and,
 FIG. 7 is a bottom plan view thereof.
 The broken line shown in FIGS. 3-7 depict other components of the control and indicator unit for a forklift and are included for environmental purposes only and forms no part of the claimed design.

(51) **LOC (12) Cl.** **12-16**

(52) **U.S. Cl.**
USPC **D12/175; D34/35**

(58) **Field of Classification Search**
USPC D15/10, 28, 17; D12/175, 176, 177;
D34/35

1 Claim, 7 Drawing Sheets



(56)

References Cited

U.S. PATENT DOCUMENTS

D566,132 S	4/2008	Mack	
D569,773 S	5/2008	Niebuhr	
D590,122 S	4/2009	Shaw et al.	
D593,274 S	5/2009	Knie et al.	
D598,023 S	8/2009	Miller et al.	
D619,516 S	7/2010	Niebuhr	
D626,714 S	11/2010	Standke	
D659,343 S	5/2012	Saitou et al.	
D659,939 S	5/2012	Saitou et al.	
D685,397 S	7/2013	Anderson et al.	
D685,398 S	7/2013	Graham et al.	
D737,184 S *	8/2015	Oosuda	D12/175
D760,632 S	7/2016	Muhl	
2001/0007294 A1	7/2001	Nigrin et al.	
2005/0121889 A1 *	6/2005	Enders	B60R 21/203 280/731
2005/0199436 A1 *	9/2005	Schroder	B62D 1/046 180/402

* cited by examiner

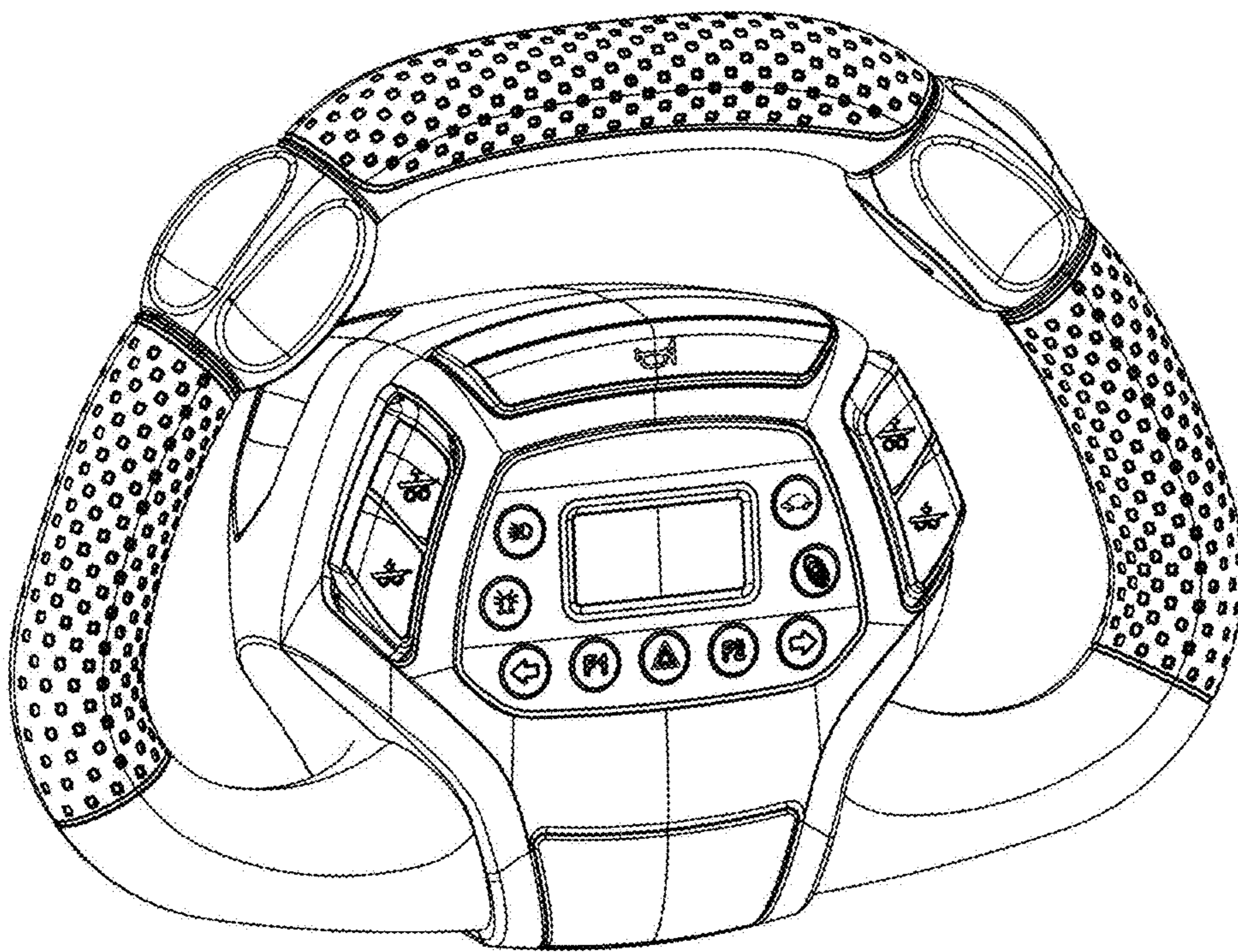


FIG. 1

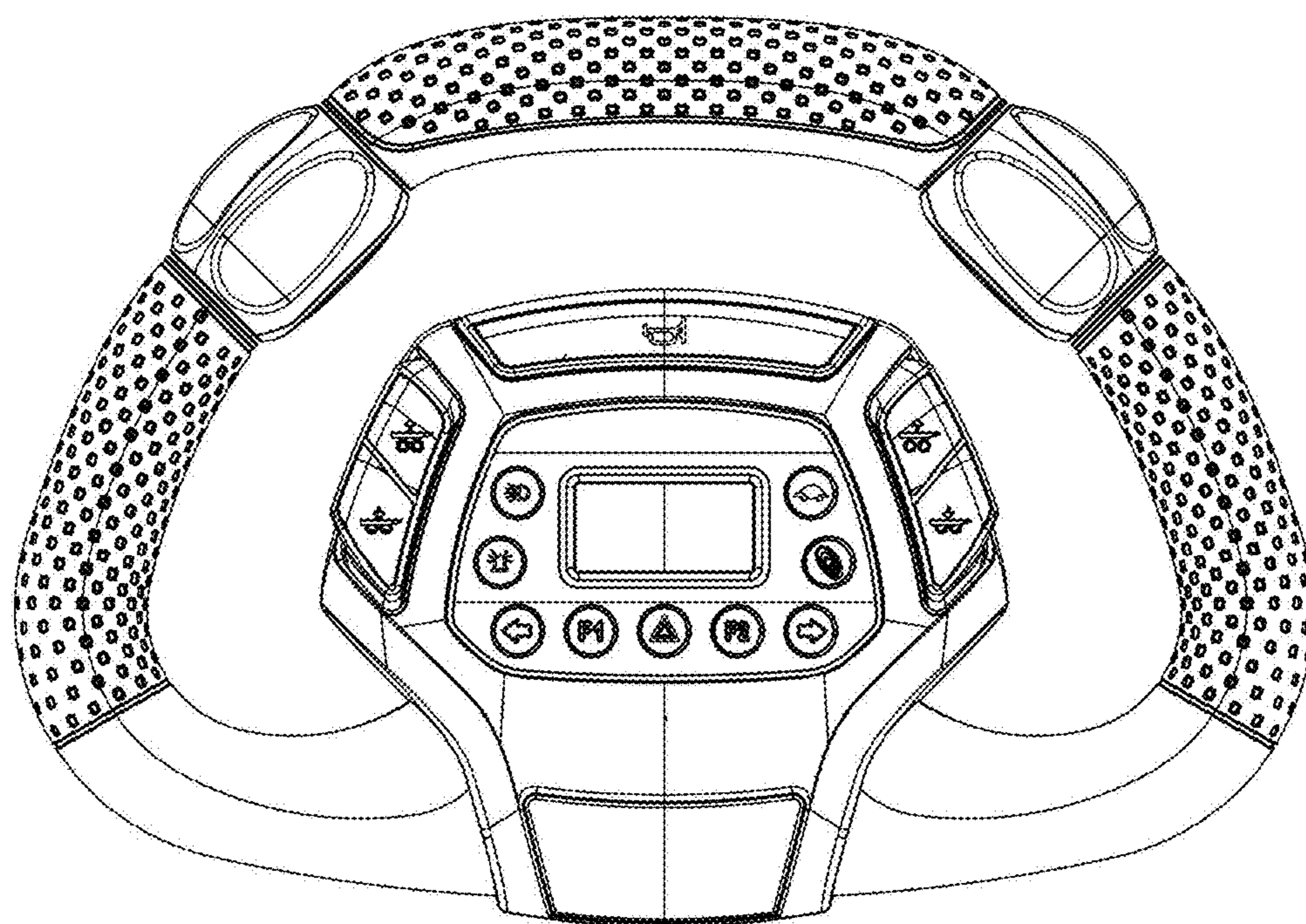


FIG. 2

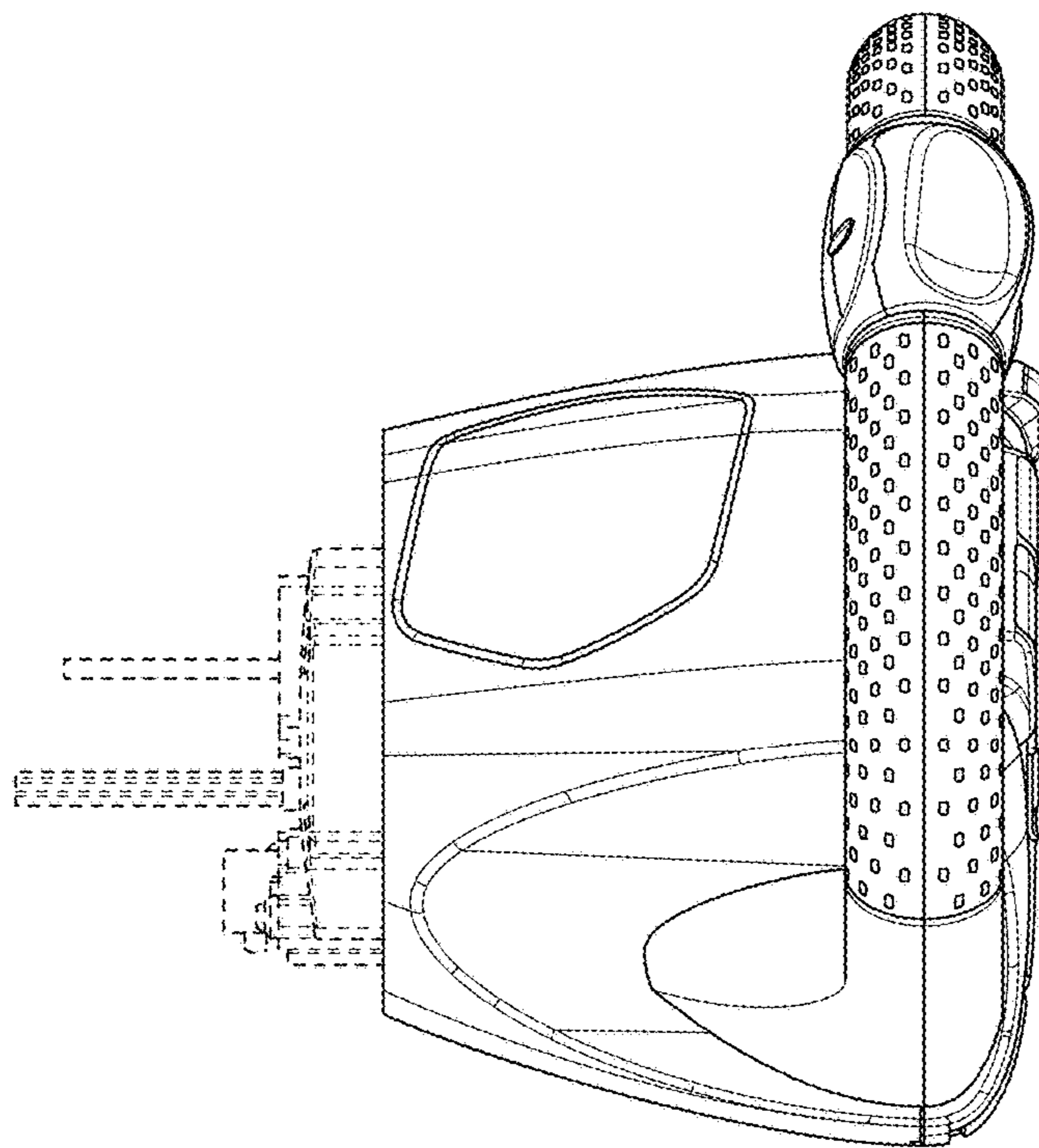


FIG. 3

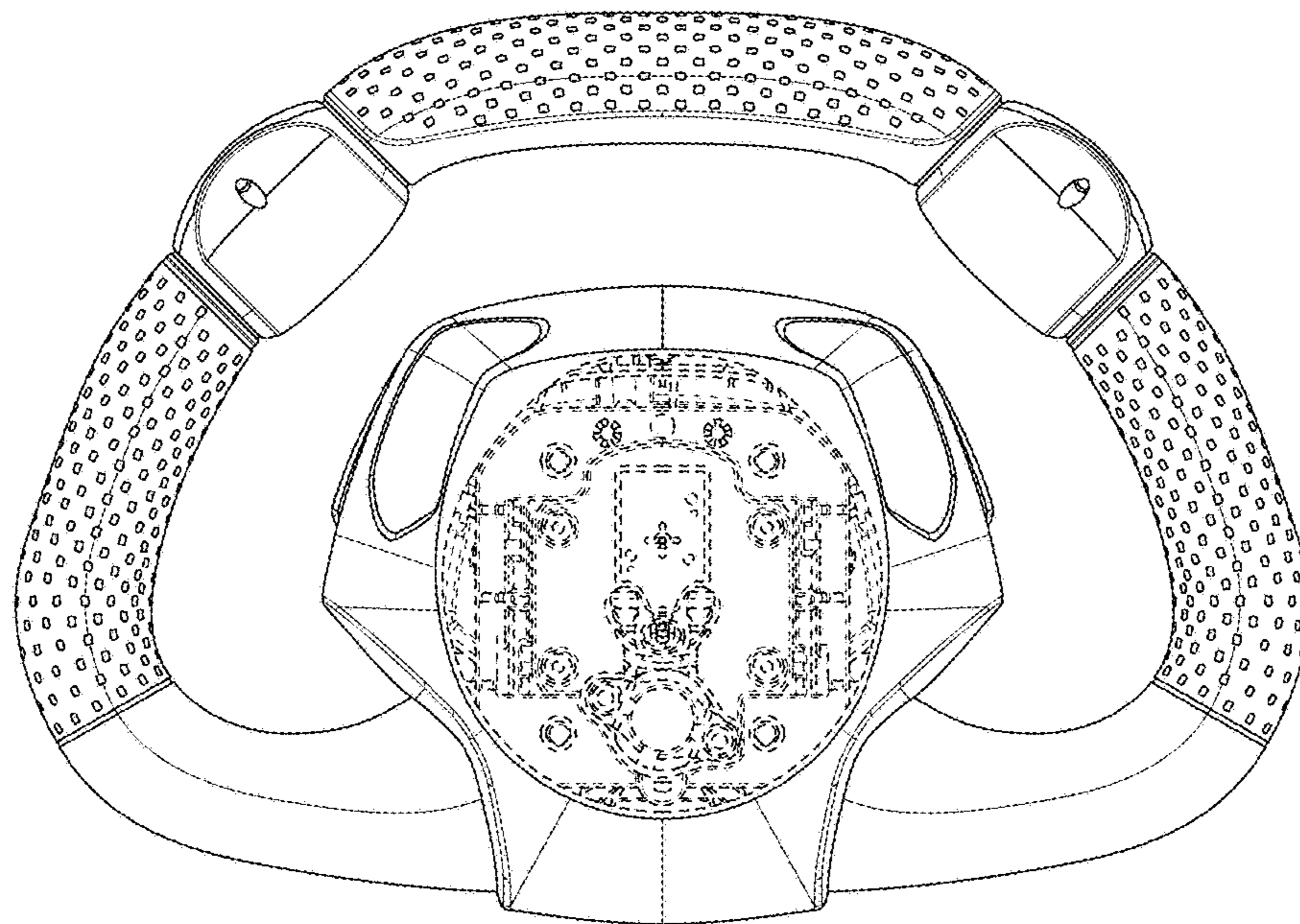


FIG. 4

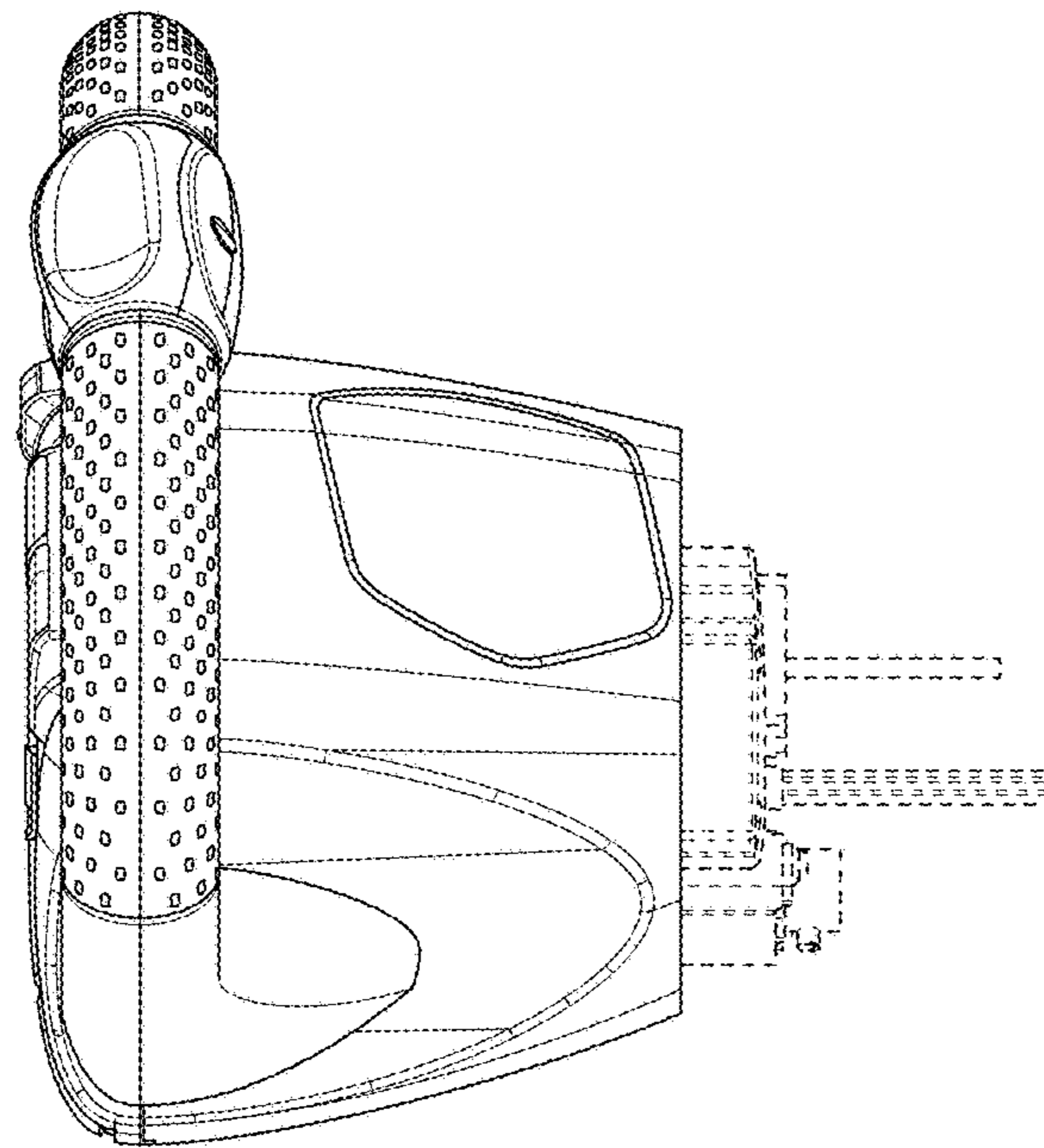


FIG. 5

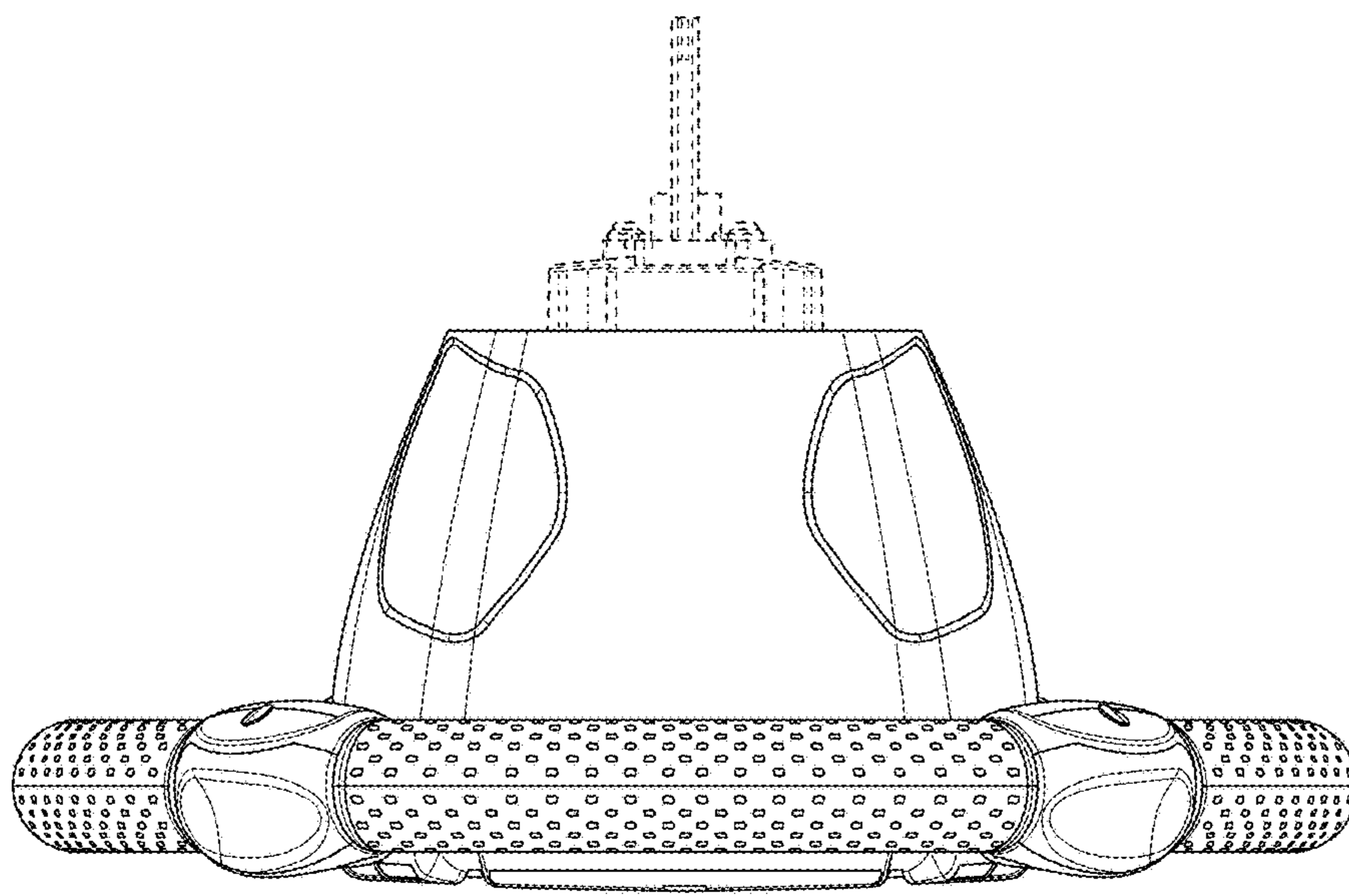


FIG. 6

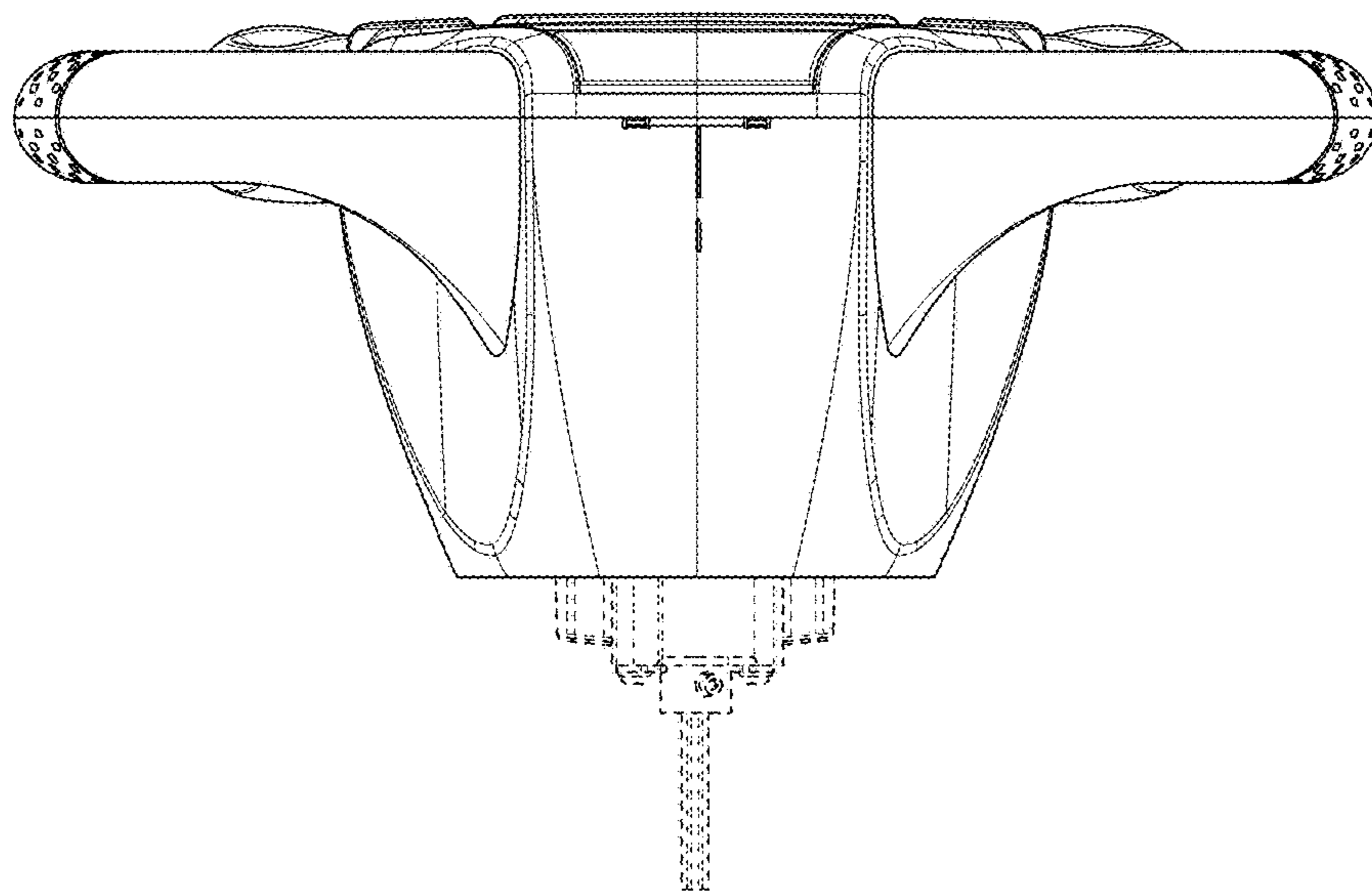


FIG. 7