



US00D867237S

(12) **United States Design Patent**  
**Resta**

(10) **Patent No.:** **US D867,237 S**

(45) **Date of Patent:** **\*\* Nov. 19, 2019**

(54) **STEERING WHEEL FOR CAR, TOY CAR  
REPLICA AND/OR OTHER REPLICA**

D776,023 S \* 1/2017 Allison ..... D12/175  
D787,994 S \* 5/2017 Carbone ..... D12/175  
D813,123 S \* 3/2018 Allison ..... D12/175  
10,080,110 B1 \* 9/2018 McElmurry ..... H04W 4/10

(71) Applicant: **Ferrari S.p.A.**, Modena (IT)

\* cited by examiner

(72) Inventor: **Simone Resta**, Maranello (IT)

*Primary Examiner* — Susan Bennett Hattan

(73) Assignee: **Ferrari S.p.A.**, Modena (IT)

*Assistant Examiner* — Suzanne E Tisdell

(\*\*) Term: **15 Years**

(74) *Attorney, Agent, or Firm* — Cowan, Liebowitz & Latman, P.C.

(21) Appl. No.: **29/614,559**

(22) Filed: **Aug. 21, 2017**

(30) **Foreign Application Priority Data**

Feb. 23, 2017 (EM) ..... 003763465  
Feb. 23, 2017 (EM) ..... 003764083

(51) **LOC (12) Cl.** ..... **12-16**

(52) **U.S. Cl.**  
USPC ..... **D12/175**

(58) **Field of Classification Search**  
USPC ..... D12/174, 175, 176, 177, 192, 196  
CPC ..... H01H 9/02; H01H 9/06; H01H 2009/066;  
H04W 4/10; B64C 13/24; B64D 47/00;  
F16M 13/00; F16M 13/02; F16M 13/022  
See application file for complete search history.

(56) **References Cited**

**U.S. PATENT DOCUMENTS**

2,747,057 A \* 5/1956 Obszarny ..... H01H 9/06  
200/293.1  
D578,940 S \* 10/2008 Tsay ..... D12/175

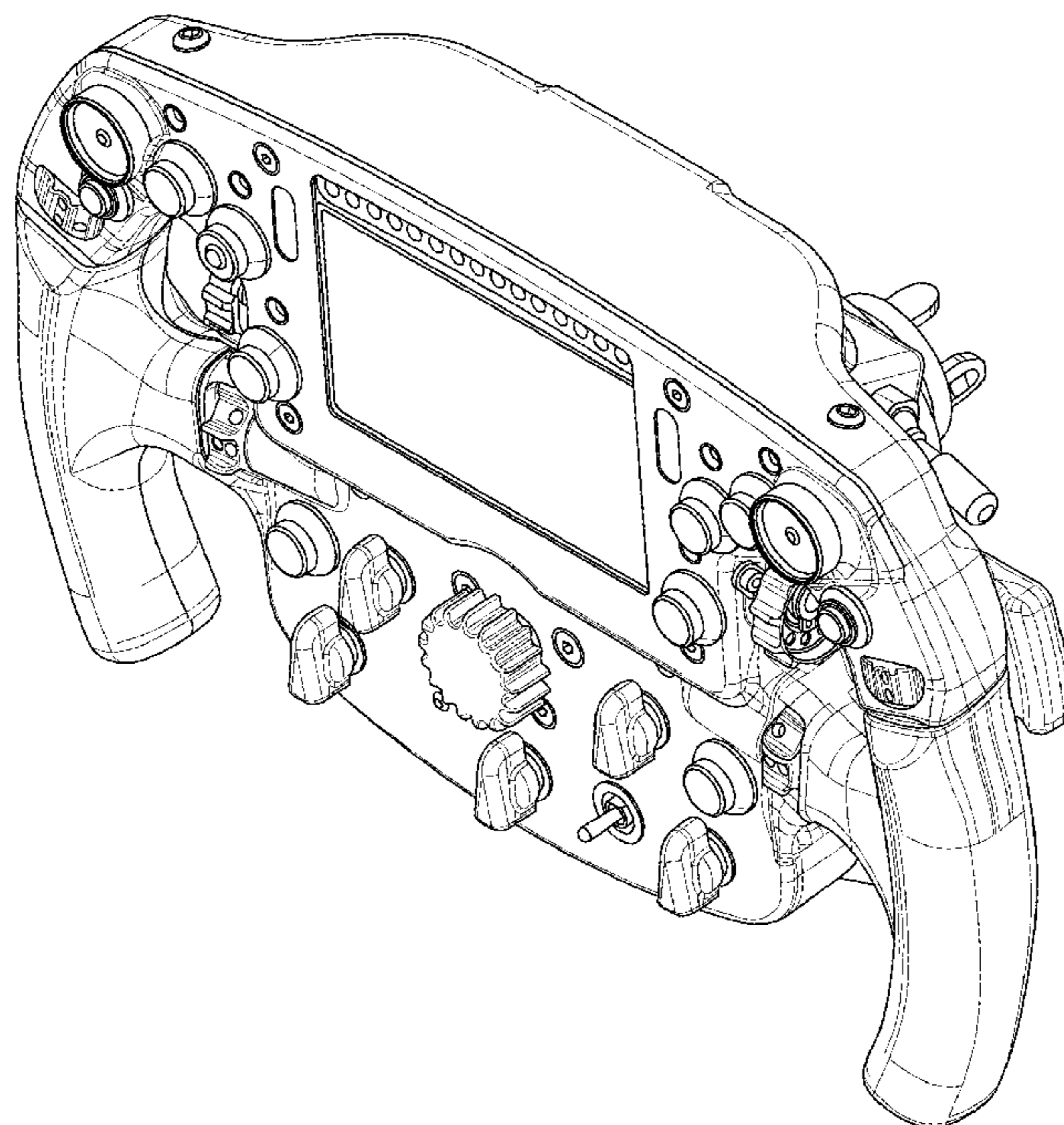
(57) **CLAIM**

The ornamental design for a steering wheel for car, toy car replica and/or other replica, as shown and described.

**DESCRIPTION**

FIG. 1 is a front perspective view of the steering wheel for car, toy car replica and/or other replica showing my design; FIG. 2 is a front view thereof; FIG. 3 is a rear view thereof; FIG. 4 is a left side view thereof; FIG. 5 is a right side view thereof; FIG. 6 is a top plan view thereof; and, FIG. 7 is a bottom view thereof. Portions of the steering wheel for car, toy car replica and/or other replica shown in broken lines show environmental structures that form no part of the claimed design.

**1 Claim, 7 Drawing Sheets**



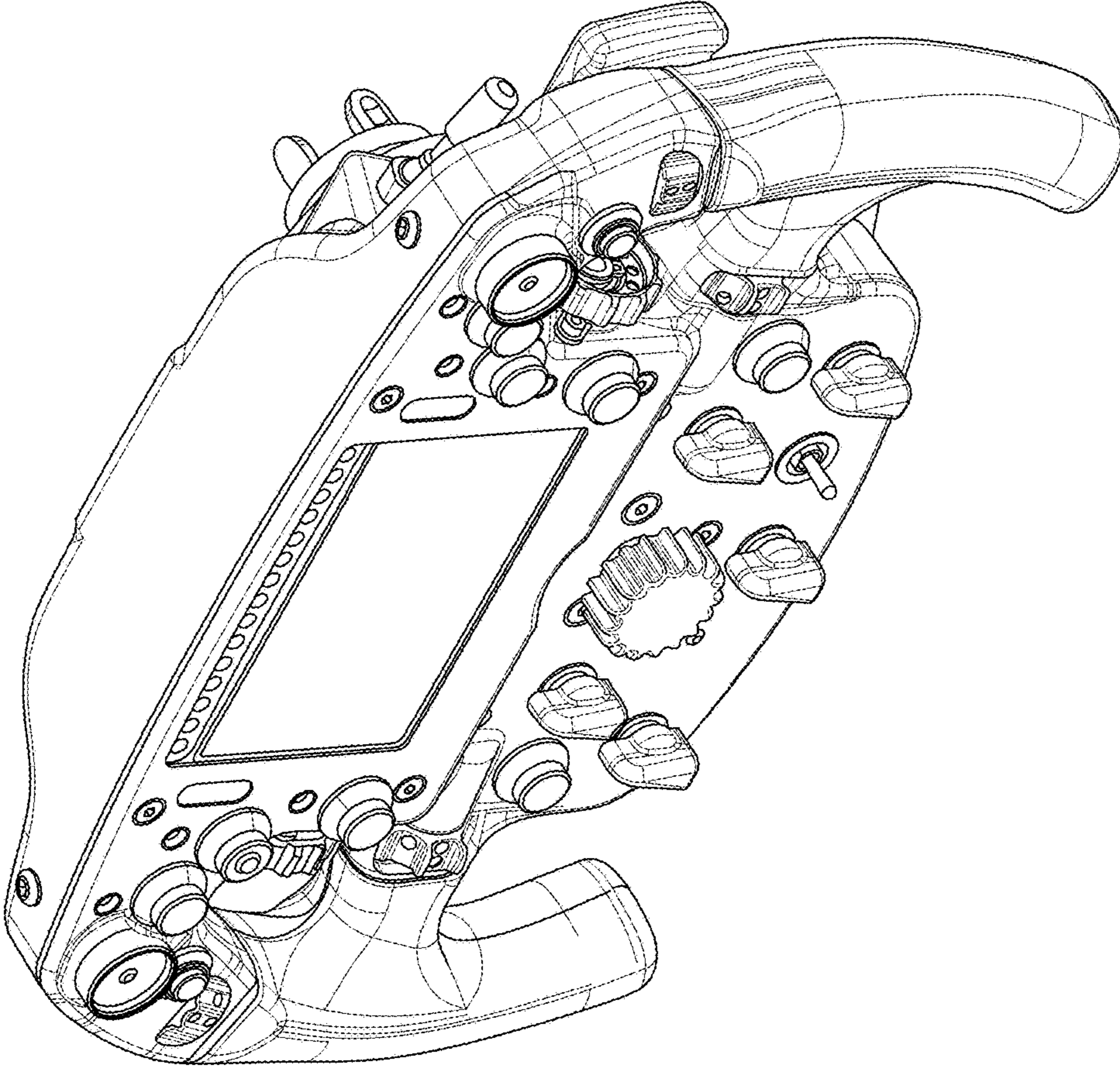


FIG. 1

FIG. 2

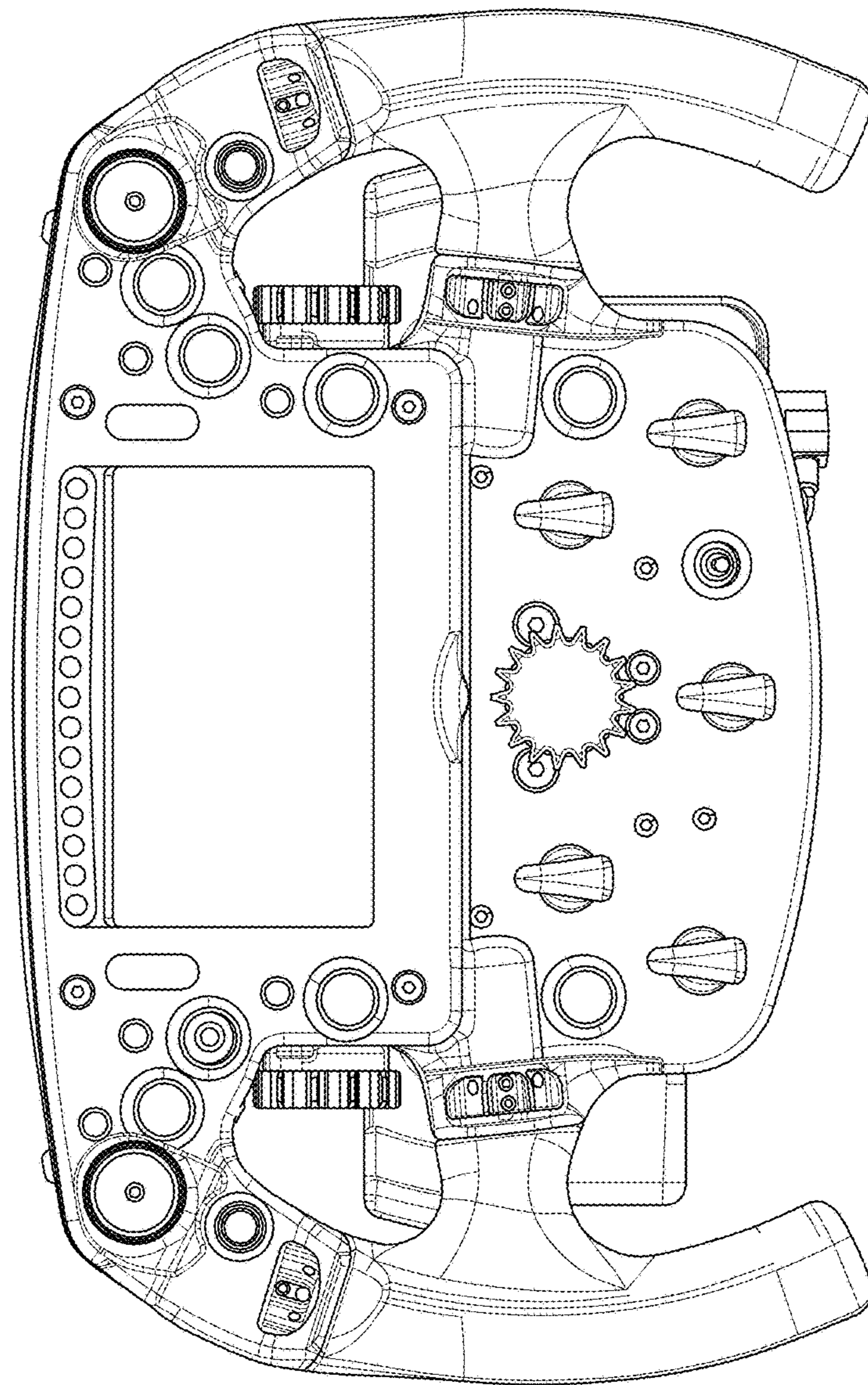
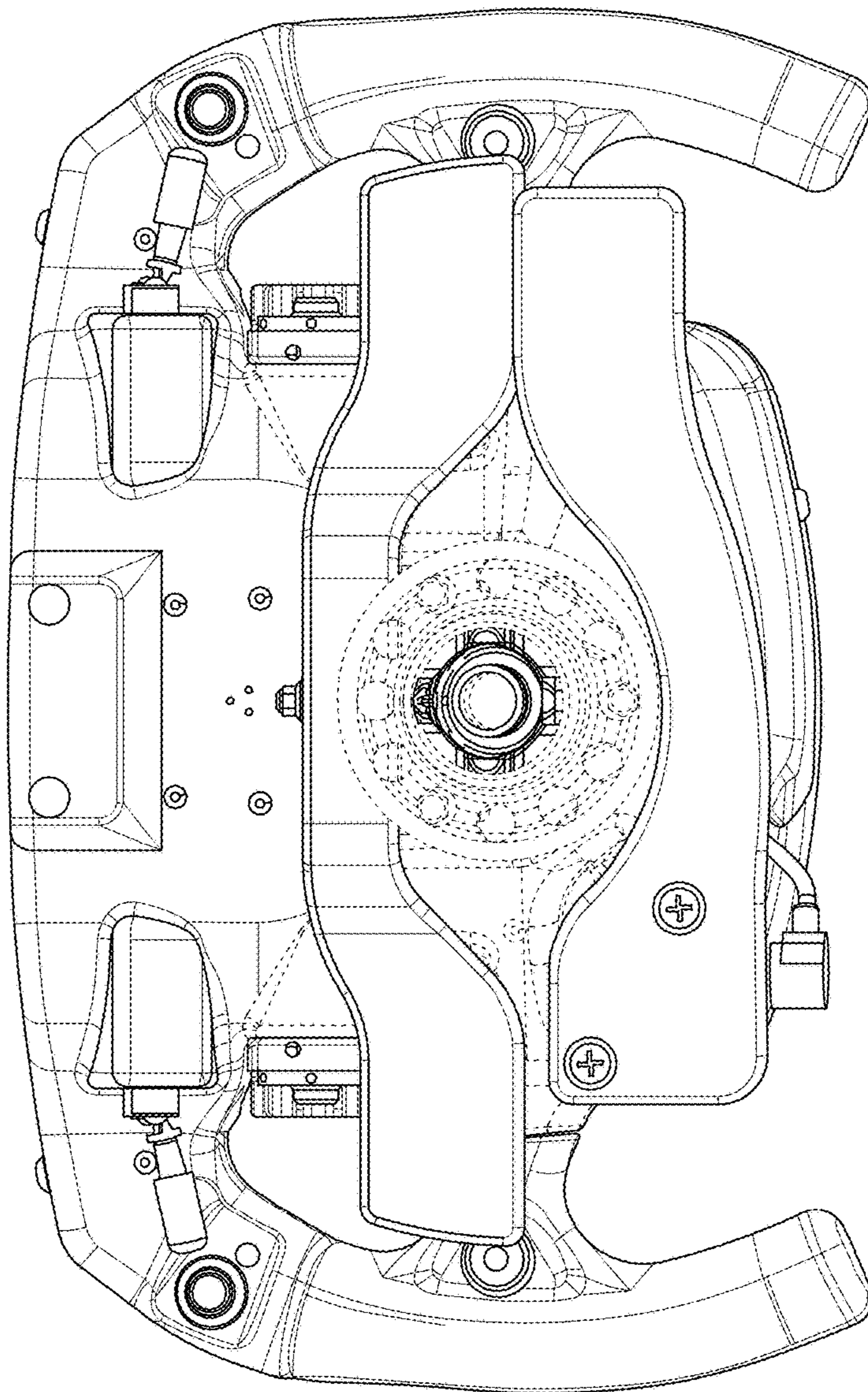


FIG. 3



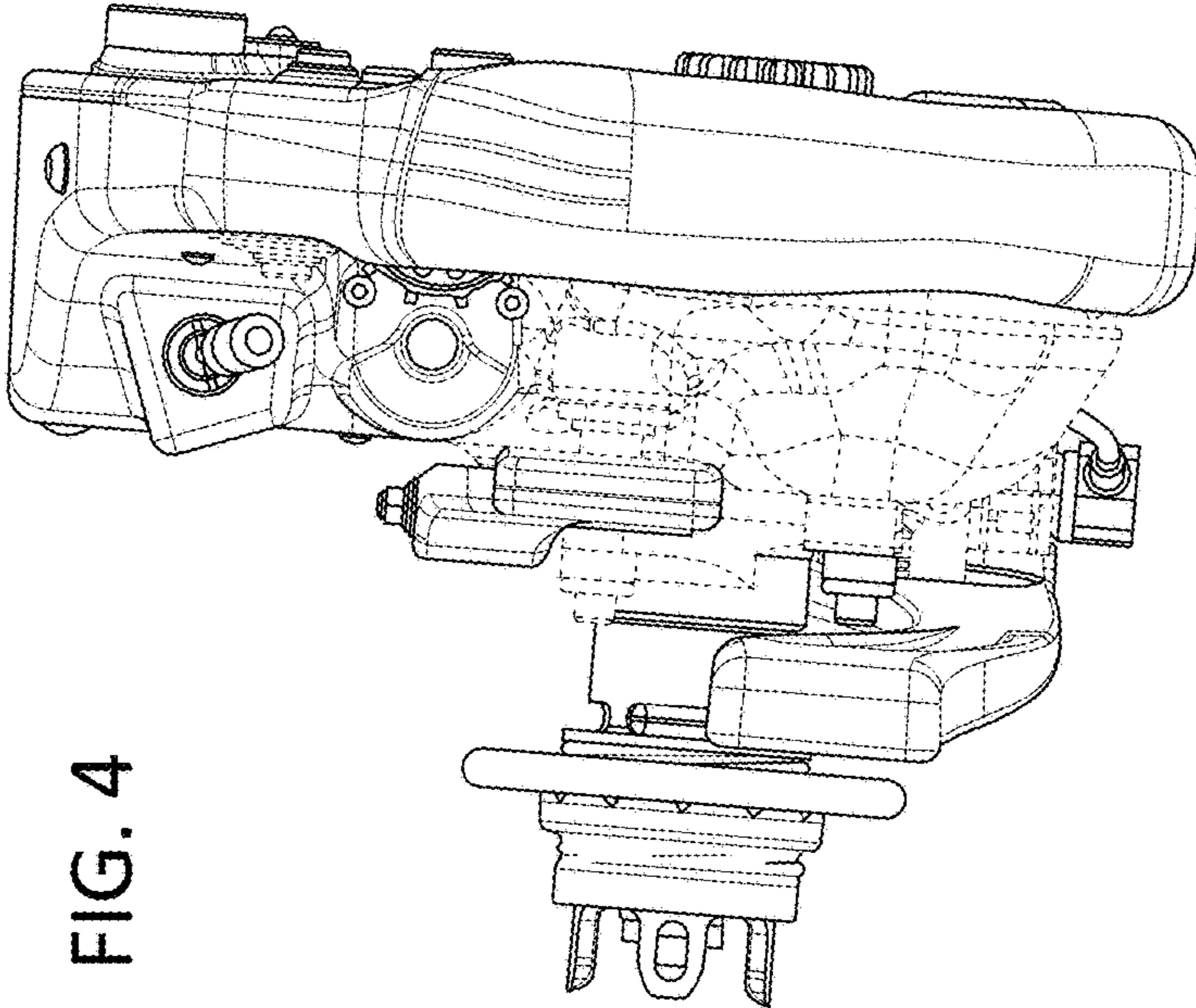


FIG. 4

FIG. 5

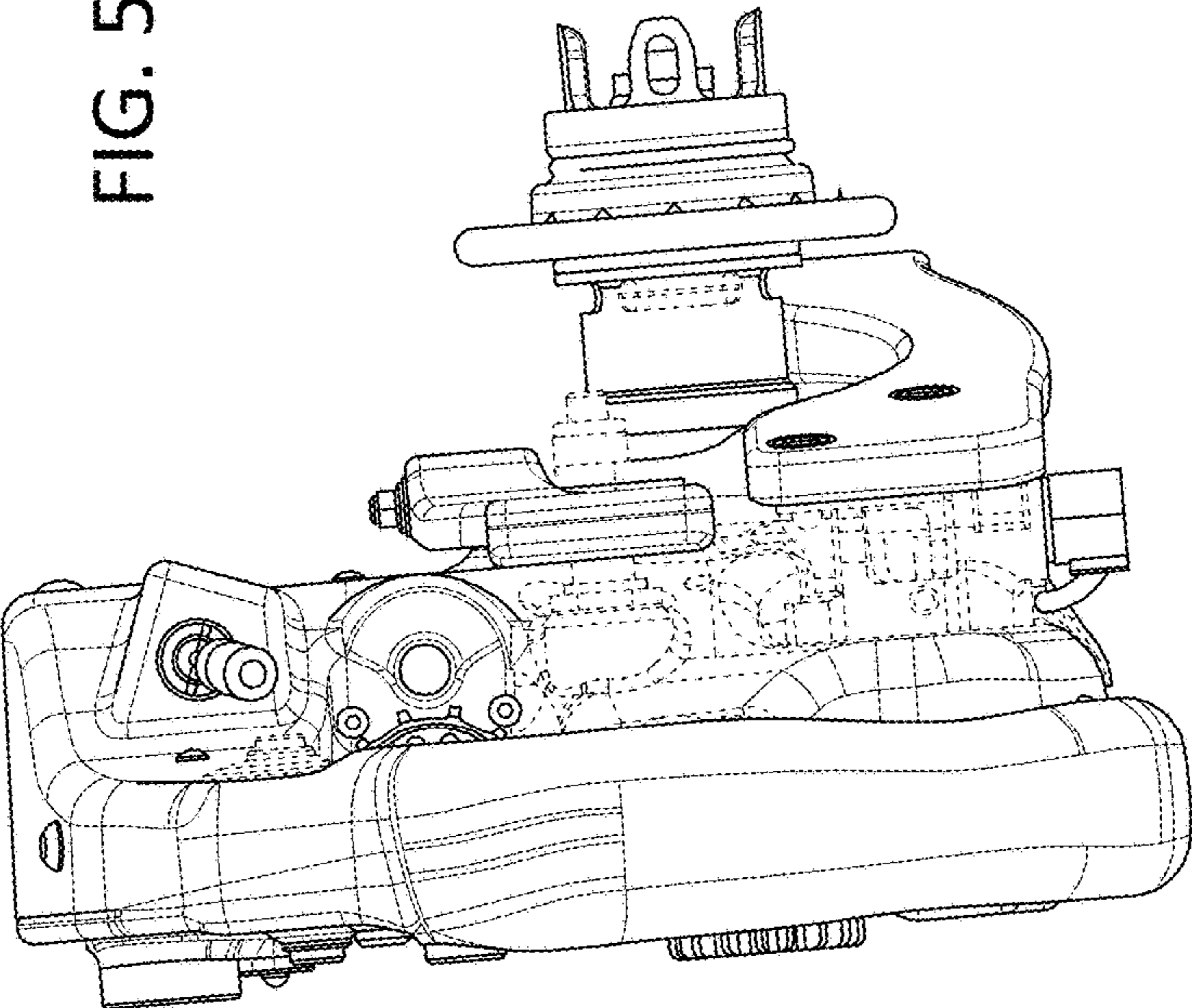


FIG. 6

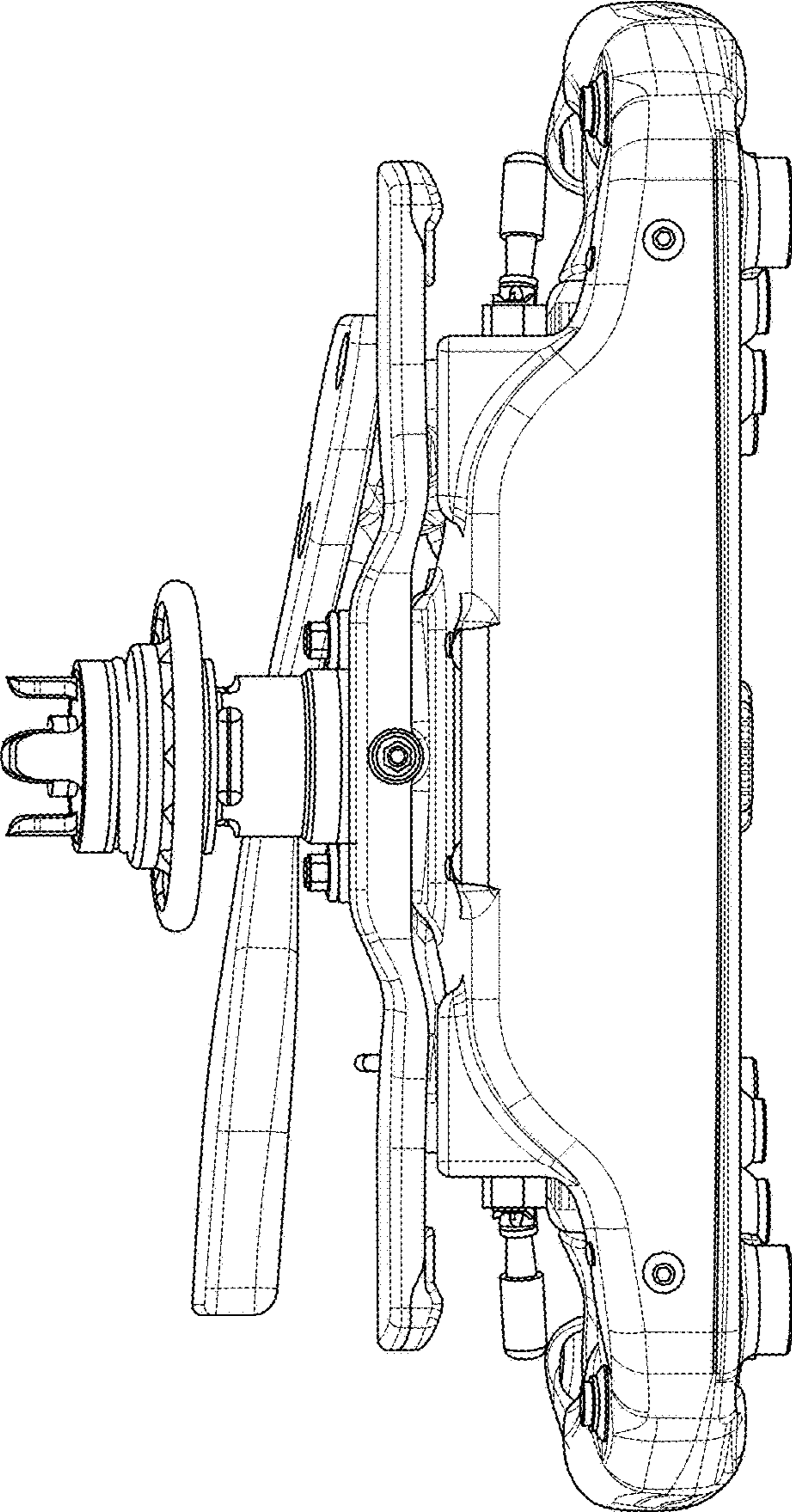


FIG. 7

