

US00D867236S

(12) **United States Design Patent** (10) **Patent No.:** **US D867,236 S**  
**Buck et al.** (45) **Date of Patent:** **\*\* Nov. 19, 2019**

(54) **VEHICLE HOOD**

D823,196 S \* 7/2018 Behmer ..... D12/173  
D838,640 S \* 1/2019 Metros ..... D12/173  
D848,327 S \* 5/2019 Tovey ..... D12/173

(71) Applicant: **Jaguar Land Rover Limited**, Whitley, Coventry (GB)

\* cited by examiner

(72) Inventors: **Joe Buck**, Coventry (GB); **Adam Setter**, Coventry (GB); **Phil Hall**, Coventry (GB)

*Primary Examiner* — Melody N Brown  
(74) *Attorney, Agent, or Firm* — Wood Herron & Evans LLP

(73) Assignee: **Jaguar Land Rover Limited**, Whitley, Coventry (GB)

(57) **CLAIM**

The ornamental design for a vehicle hood, as shown and described.

(\*\*) Term: **15 Years**

**DESCRIPTION**

(21) Appl. No.: **29/637,188**

FIG. 1 is a right, front perspective view of a vehicle hood showing our new design;  
FIG. 2 is a left, front perspective view thereof;  
FIG. 3 is a left, rear perspective view thereof;  
FIG. 4 is a right, rear perspective view thereof;  
FIG. 5 is a top, front perspective view thereof;  
FIG. 6 is a rear elevational view thereof;  
FIG. 7 is a left side perspective view thereof.  
FIG. 8 is a right side perspective view thereof.  
FIG. 9 is a top, left side perspective view thereof;  
FIG. 10 is a top, right side perspective view thereof;  
FIG. 11 is a top plan view thereof;  
FIG. 12 is a bottom plan view thereof; and,  
FIG. 13 is another top plan view thereof shown mounted on a vehicle hood.

(22) Filed: **Feb. 14, 2018**

(30) **Foreign Application Priority Data**

Aug. 30, 2017 (EM) ..... 004172039

(51) **LOC (12) Cl.** ..... **12-16**

(52) **U.S. Cl.**  
USPC ..... **D12/173**

(58) **Field of Classification Search**  
USPC ..... D12/173, 196, 86, 90-92, 181;  
180/69.21, 69.2, 69.22; 296/190.1-190.5,  
296/190.8, 193.11, 37.6  
CPC ..... B62D 25/10; B62D 25/06; B62D 65/02;  
B62D 25/12; B60Q 1/00  
See application file for complete search history.

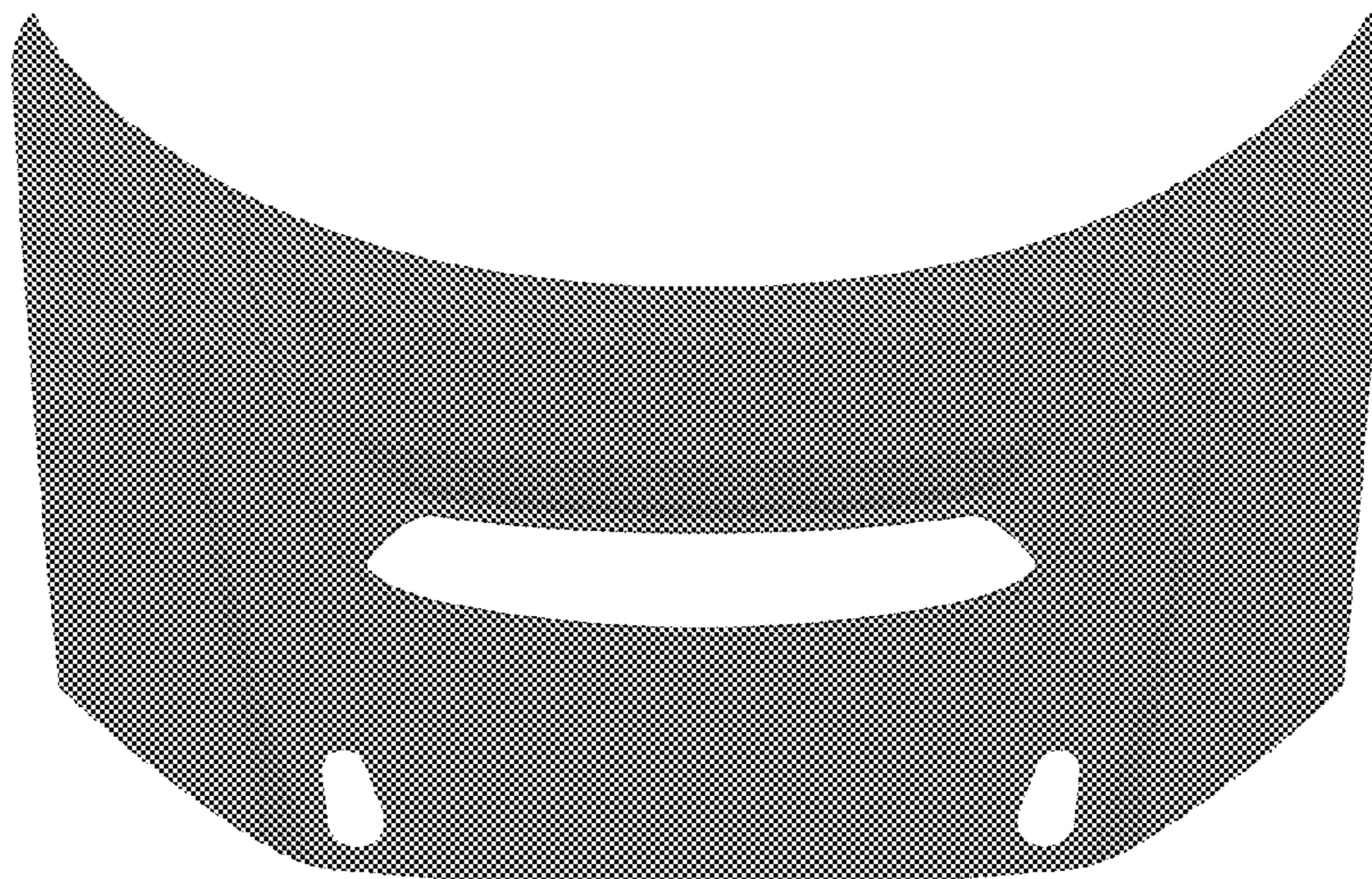
The portions of the vehicle hood shown in the FIG. 13 drawing view in a de-emphasized and half-tone form outside the broken lines and the broken lines representing the boundary and configuration of what is claimed as the design are all for environmental and illustrative purposes only and form no part of the claimed design.

(56) **References Cited**

**U.S. PATENT DOCUMENTS**

D644,579 S \* 9/2011 Messale ..... D12/173  
D702,164 S \* 4/2014 Campbell ..... D12/173

**1 Claim, 11 Drawing Sheets**



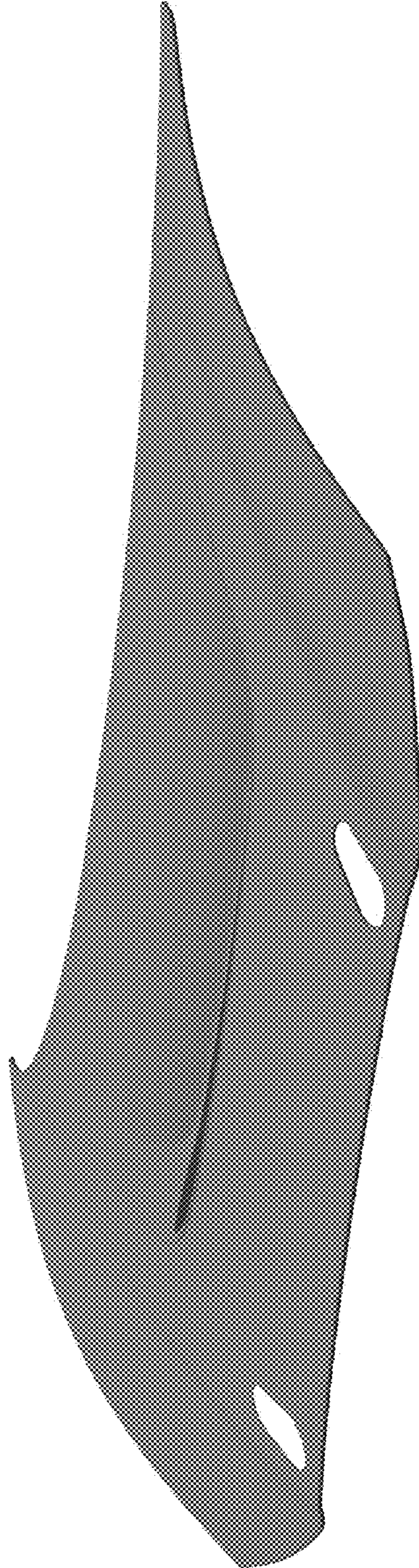


FIG. 1

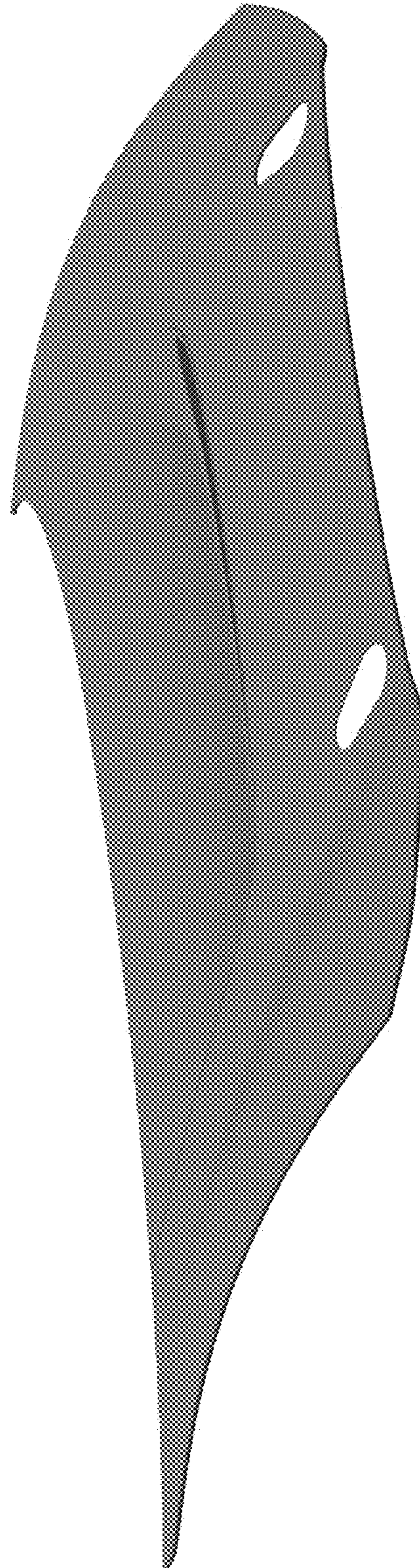


FIG. 2

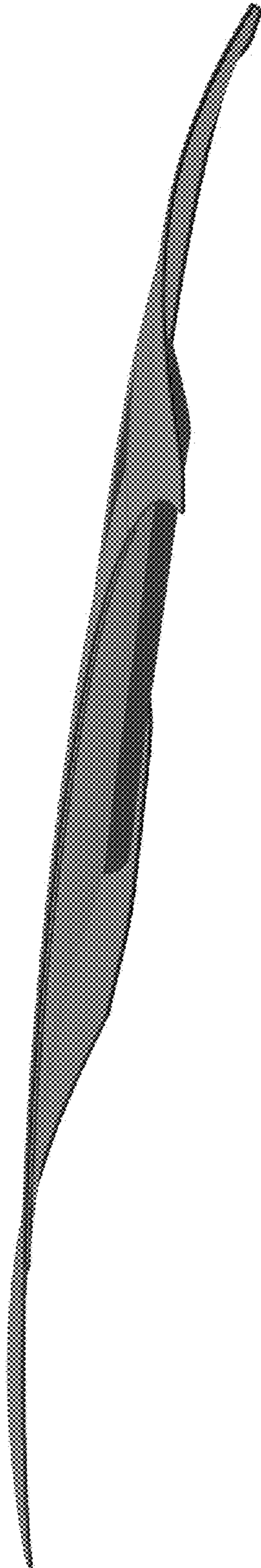


FIG. 3

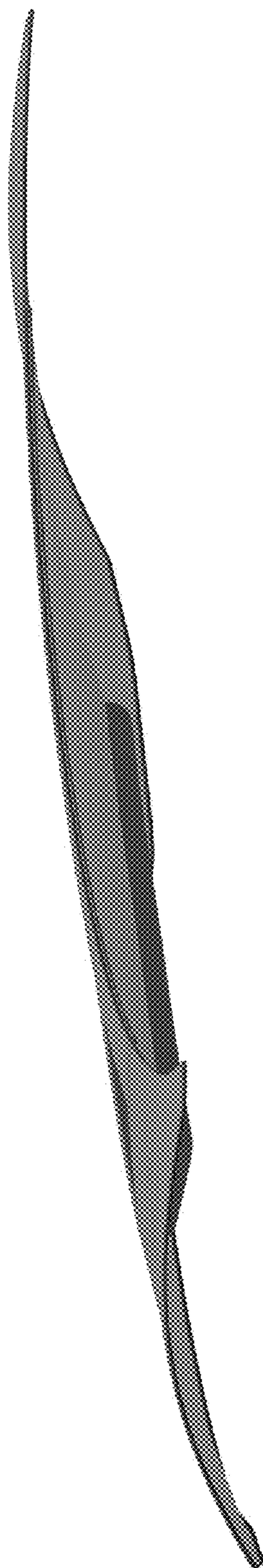


FIG. 4

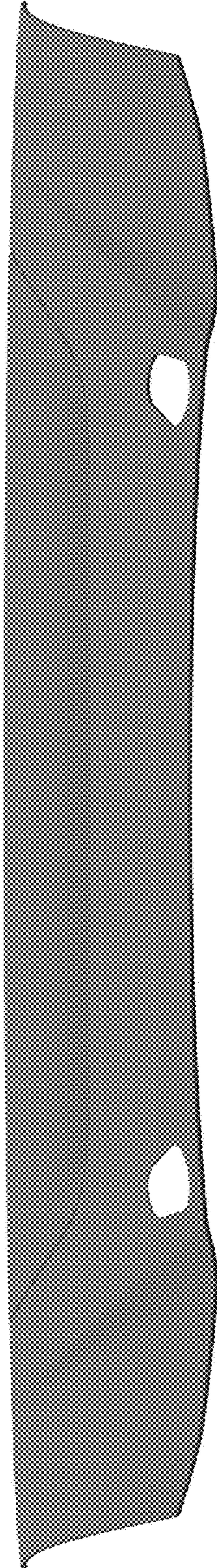


FIG. 5

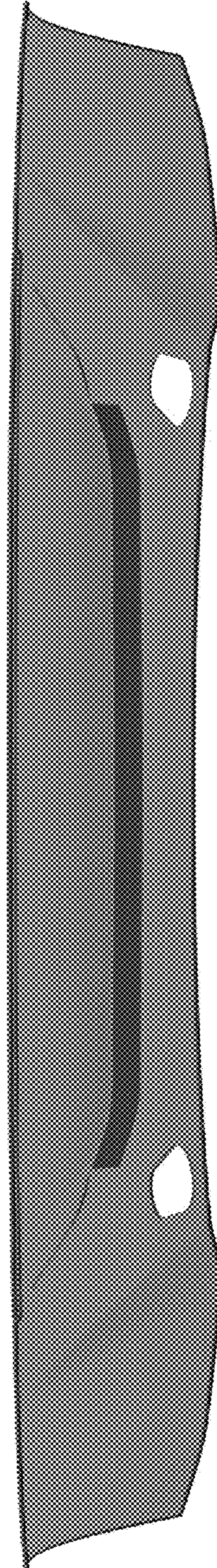


FIG. 6

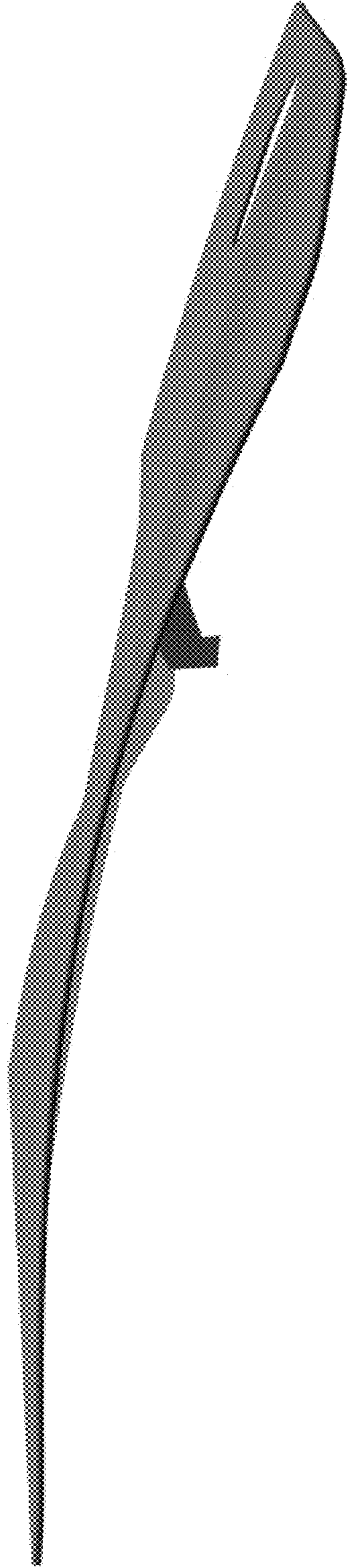


FIG. 7

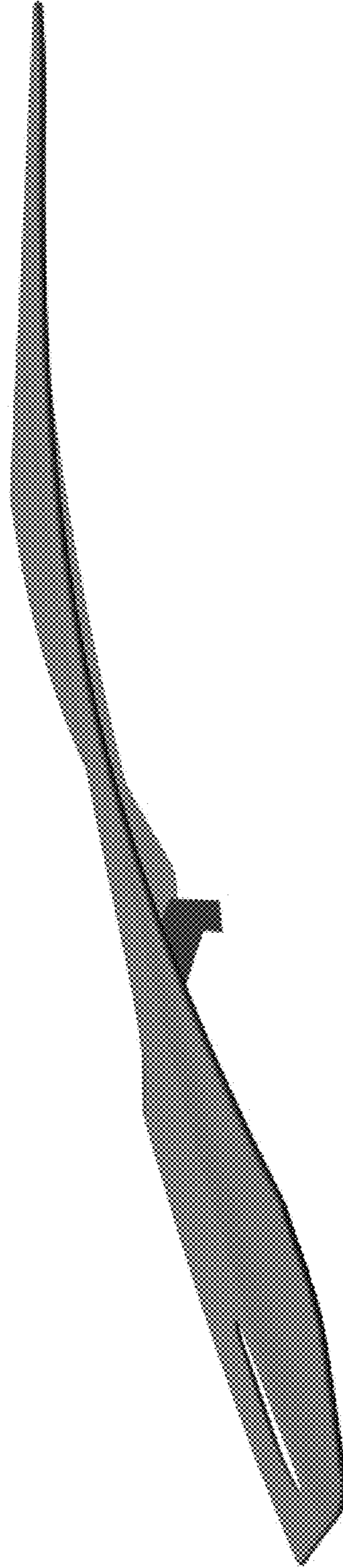


FIG. 8

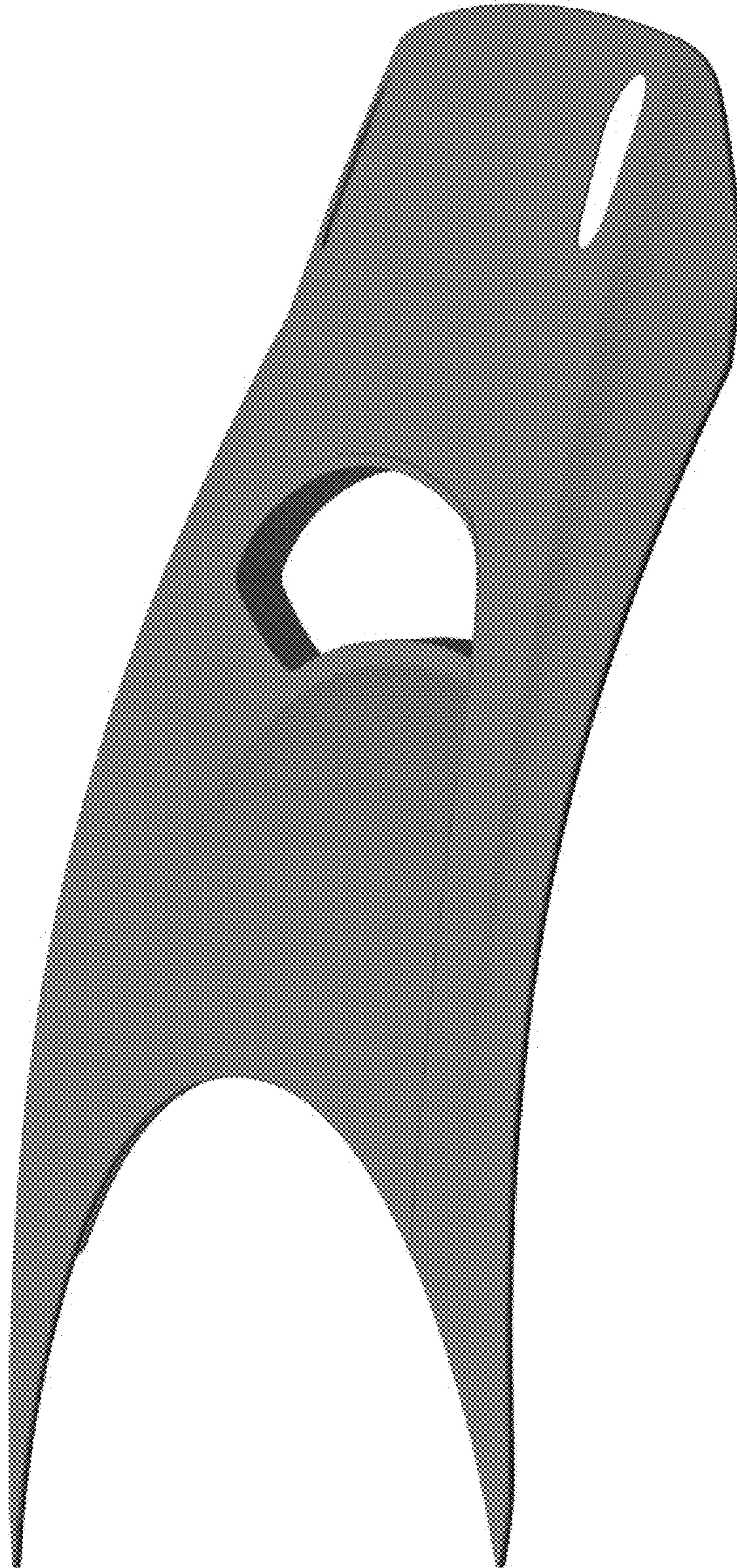


FIG. 9



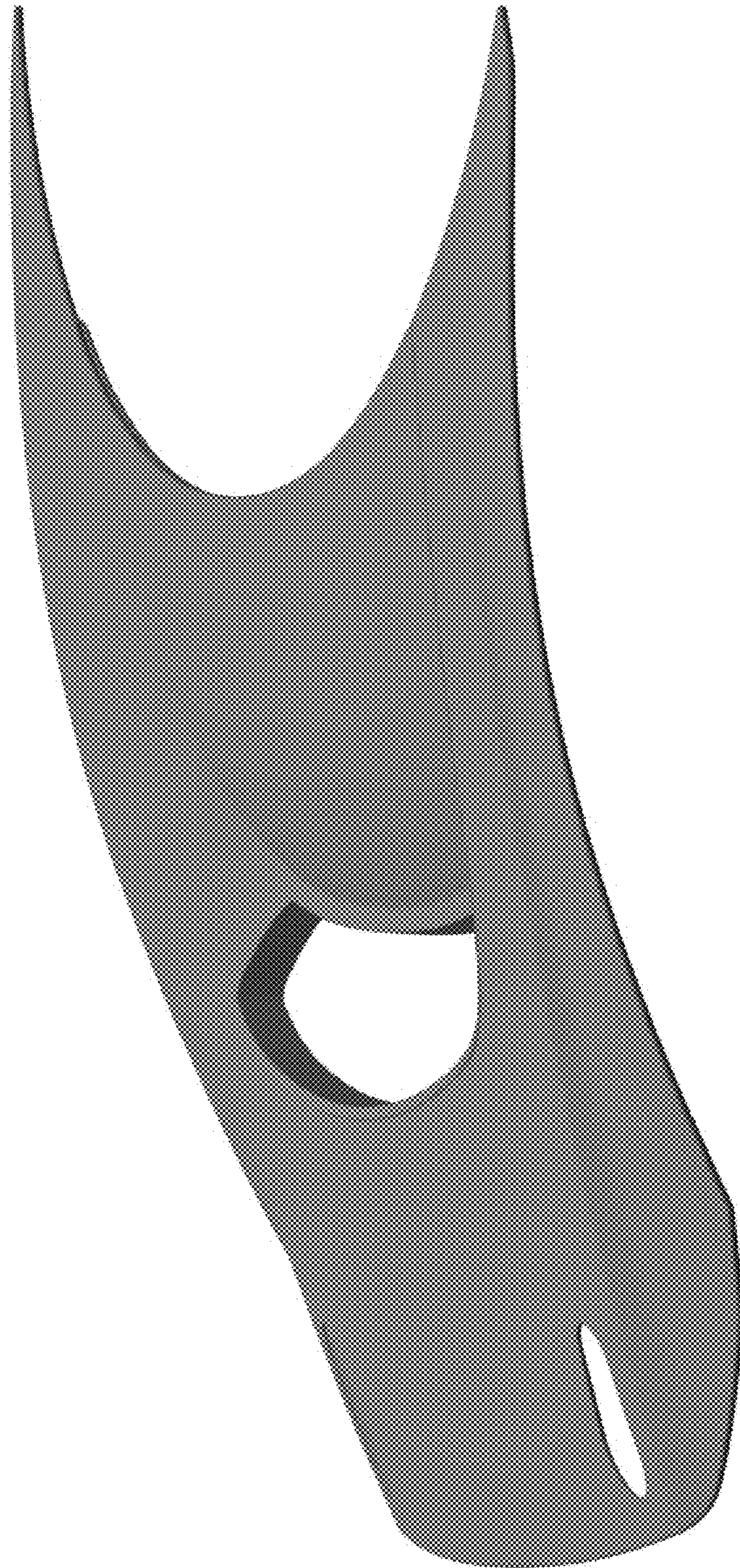


FIG. 10

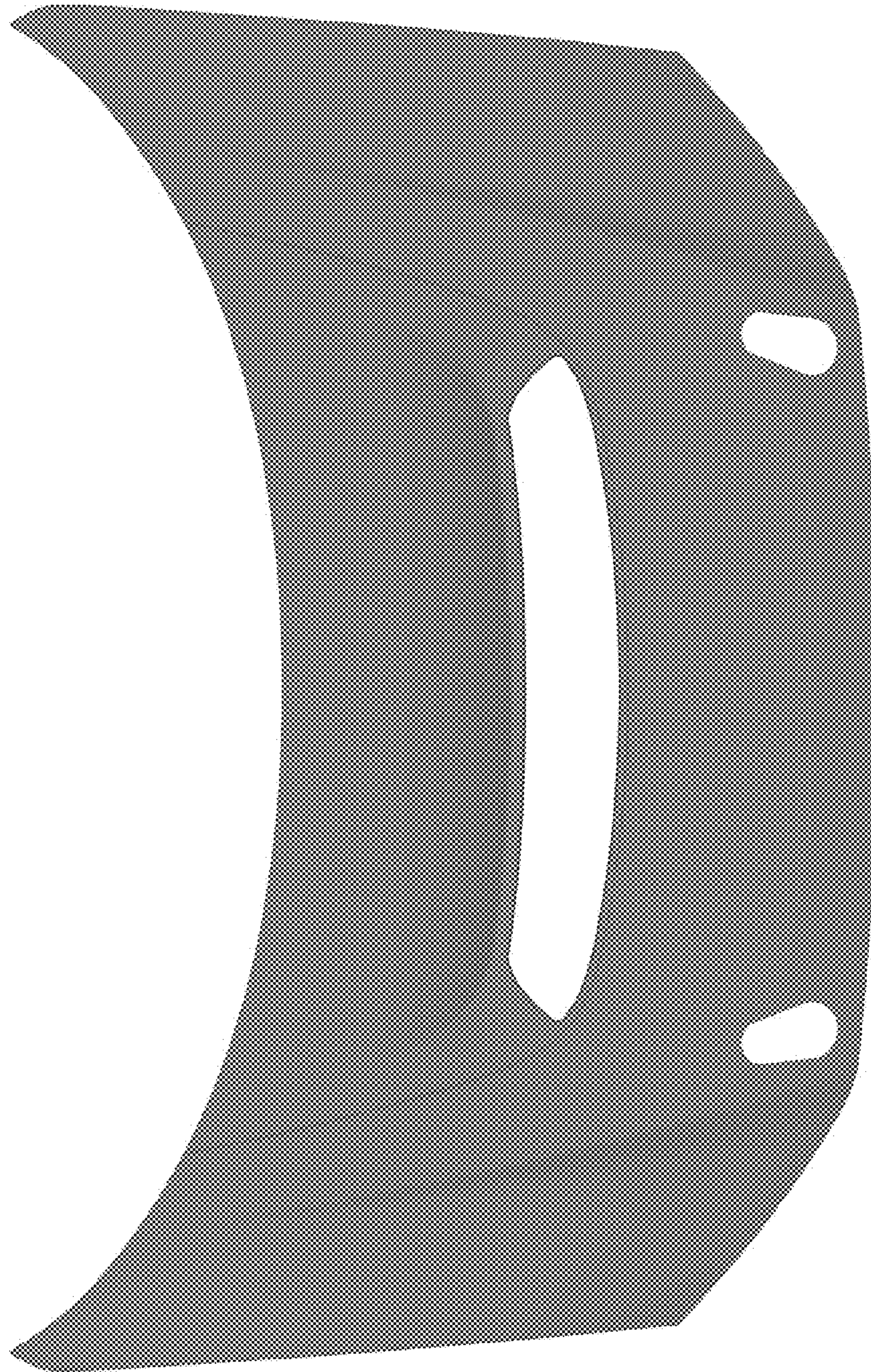


FIG. 11

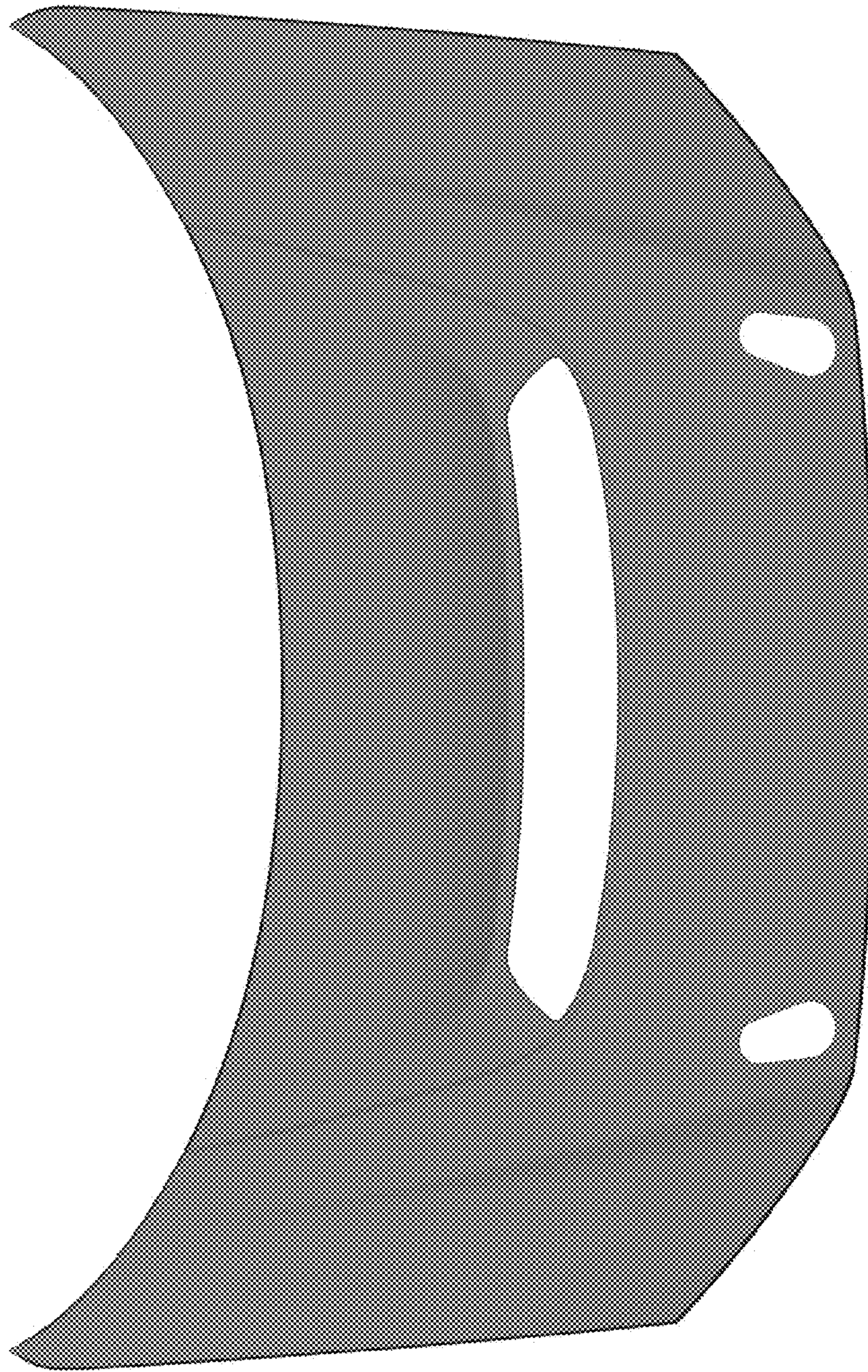


FIG. 12

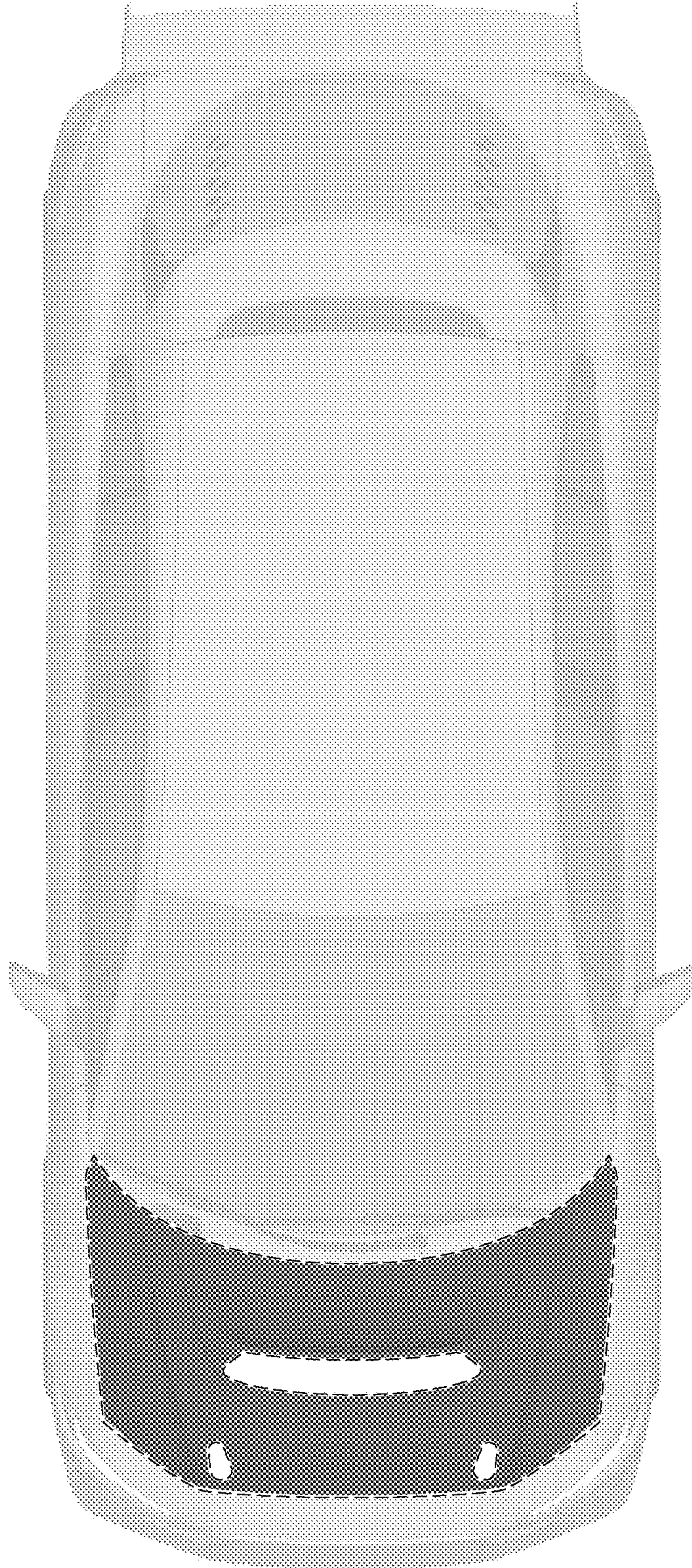


FIG. 13