

US00D867235S

(12) **United States Design Patent** (10) **Patent No.:** **US D867,235 S**  
**Kawashima et al.** (45) **Date of Patent:** **\*\* Nov. 19, 2019**

(54) **REAR BUMPER FOR AN AUTOMOBILE**  
(71) Applicants: **Tsuyoshi Kawashima**, Okazaki (JP);  
**Yahiko Kumai**, Toyota (JP)  
(72) Inventors: **Tsuyoshi Kawashima**, Okazaki (JP);  
**Yahiko Kumai**, Toyota (JP)  
(73) Assignee: **TOYOTA JIDOSHA KABUSHIKI**  
**KAISHA (JP)**  
(\*\*) Term: **15 Years**  
(21) Appl. No.: **29/654,107**  
(22) Filed: **Jun. 21, 2018**  
(51) **LOC (12) Cl.** ..... **12-16**  
(52) **U.S. Cl.**  
USPC ..... **D12/169**  
(58) **Field of Classification Search**  
USPC .... D12/169, 164, 196, 171, 163, 86, 90-92;  
293/102, 113, 115, 117, 120; 296/180.1,  
296/180.2  
CPC ..... B60R 19/02; B60R 19/04; B62D 25/08  
See application file for complete search history.

D800,614 S \* 10/2017 Park ..... D12/169  
D807,801 S \* 1/2018 Piscitelli ..... D12/169  
D813,114 S \* 3/2018 Zurian ..... D12/169  
D814,994 S \* 4/2018 Varga ..... D12/169  
D824,298 S \* 7/2018 Cartabiano ..... D12/169  
D824,817 S \* 8/2018 Morikawa et al. .... D12/169  
D840,883 S \* 2/2019 Cartabiano et al. .... D12/169  
D841,537 S \* 2/2019 Morikawa ..... D12/169

**OTHER PUBLICATIONS**

Toyota Motor Corporation, Lexus LC (2017), catalog of LC, Mar. 2017.  
Netcarshow, Mercedes-Benz C-Class-Coupe (2017), <[https://www.netcarshow.com/mercedes-benz/2017-c-class\\_coupe/1280x960/wallpaper\\_29.htm/](https://www.netcarshow.com/mercedes-benz/2017-c-class_coupe/1280x960/wallpaper_29.htm/)>, available as early as Mar. 2017.

\* cited by examiner

*Primary Examiner* — Melody N Brown  
(74) *Attorney, Agent, or Firm* — Saidman DesignLaw Group, LLC

(57) **CLAIM**

The ornamental design for a rear bumper for an automobile, as shown and described.

**DESCRIPTION**

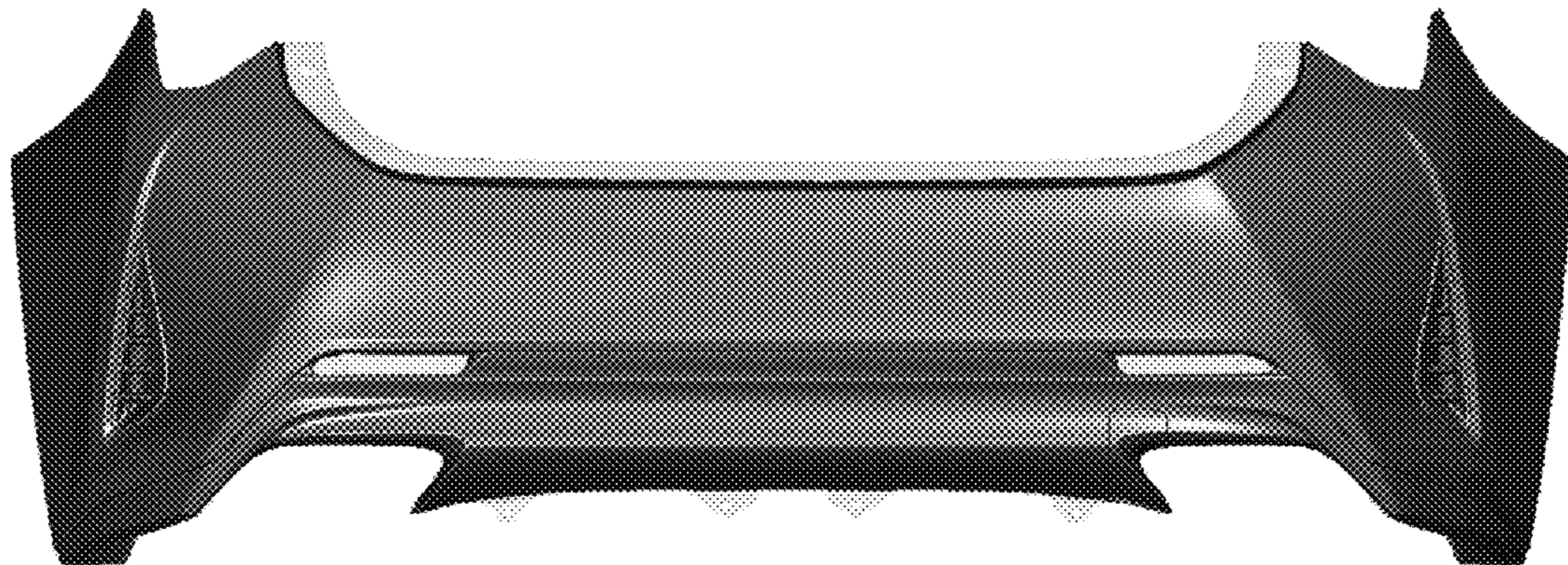
FIG. 1 is a perspective view of a rear bumper for an automobile showing our new design;  
FIG. 2 is a front view thereof;  
FIG. 3 is a rear view thereof;  
FIG. 4 is a left side view thereof;  
FIG. 5 is a right side view thereof;  
FIG. 6 is a top view thereof; and,  
FIG. 7 is a bottom view thereof.  
The claimed design is indicated by the relatively dark portions in the figures. The relatively light portions form no part of the claimed design.

**1 Claim, 7 Drawing Sheets**

(56) **References Cited**

**U.S. PATENT DOCUMENTS**

D598,829 S \* 8/2009 Mattin ..... D12/169  
D600,604 S \* 9/2009 Lamm ..... D12/169  
D600,605 S \* 9/2009 Lamm ..... D12/169  
D610,957 S \* 3/2010 Bucher ..... D12/169  
D619,513 S \* 7/2010 Miyazawa ..... D12/169  
D725,009 S \* 3/2015 Hirai et al. .... D12/169  
D725,010 S \* 3/2015 Takei et al. .... D12/169  
D746,739 S \* 1/2016 Wolff ..... D12/169  
D782,373 S \* 3/2017 Curic et al. .... D12/169  
D792,291 S \* 7/2017 Suga et al. .... D12/169  
D792,294 S \* 7/2017 McCabe ..... D12/169  
D795,141 S \* 8/2017 Ikeda ..... D12/169  
D800,034 S \* 10/2017 Kojima et al. .... D12/169



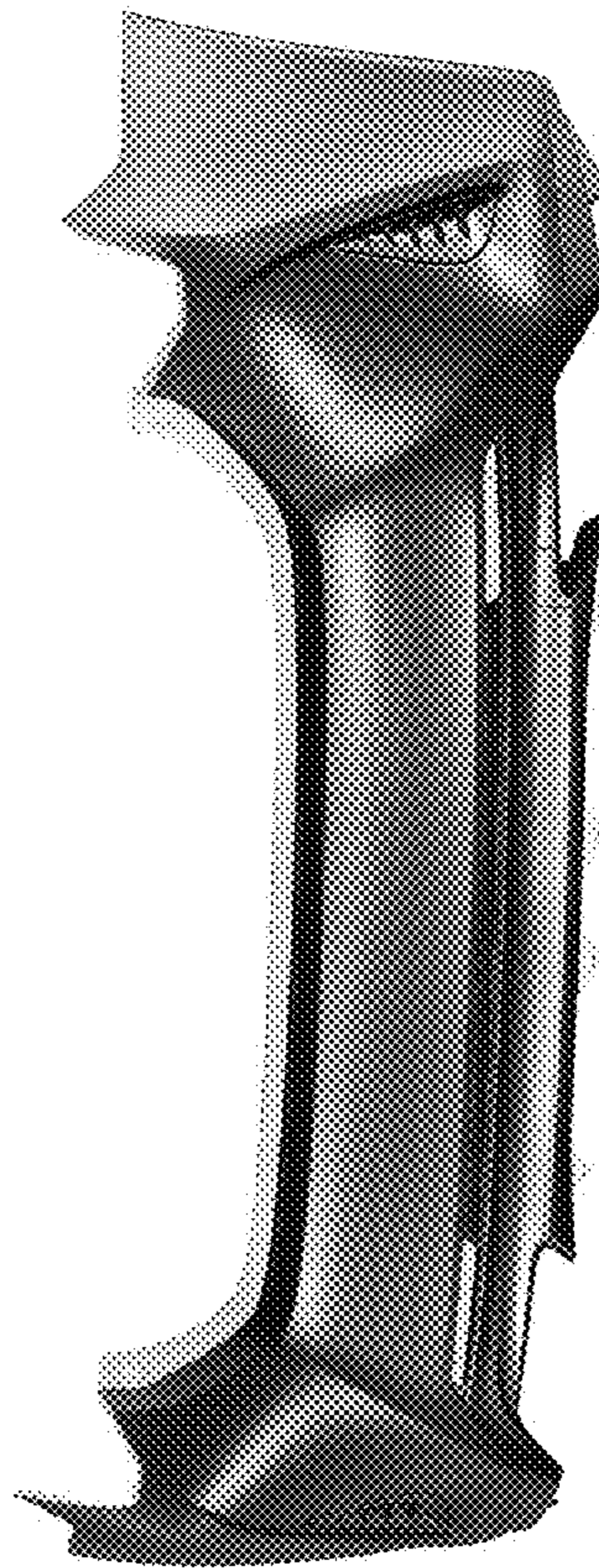


FIG. 1

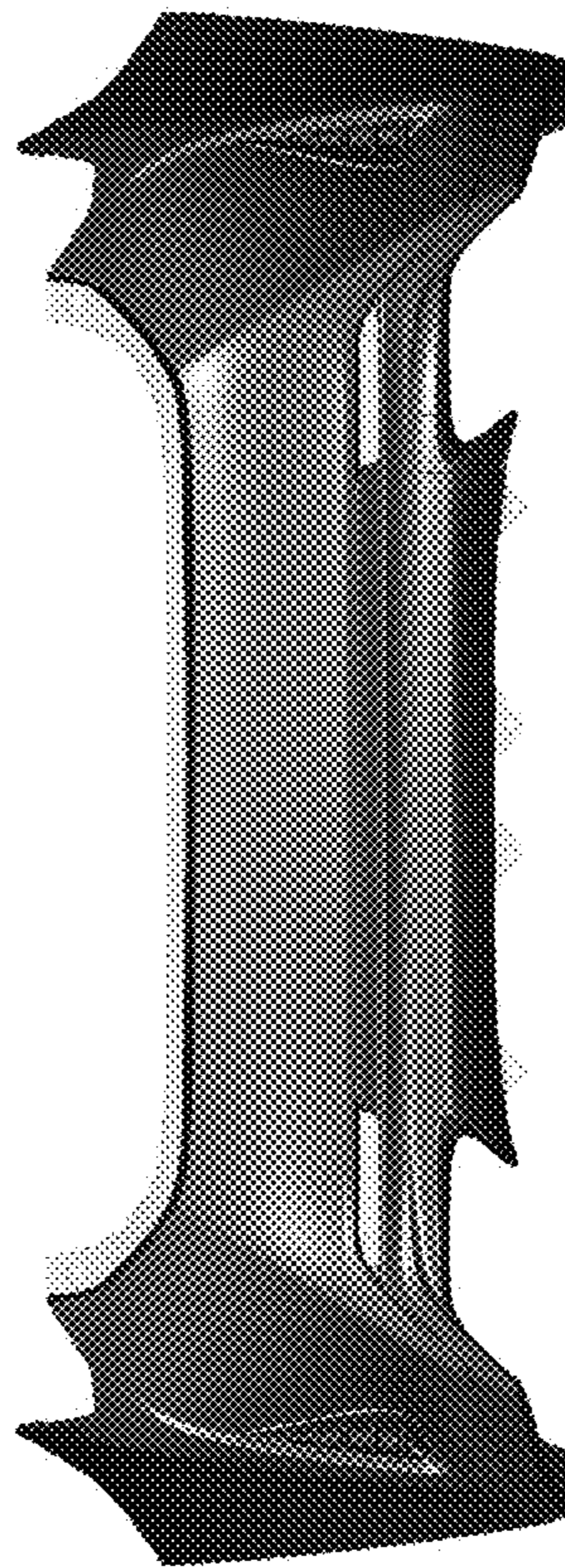


FIG. 2

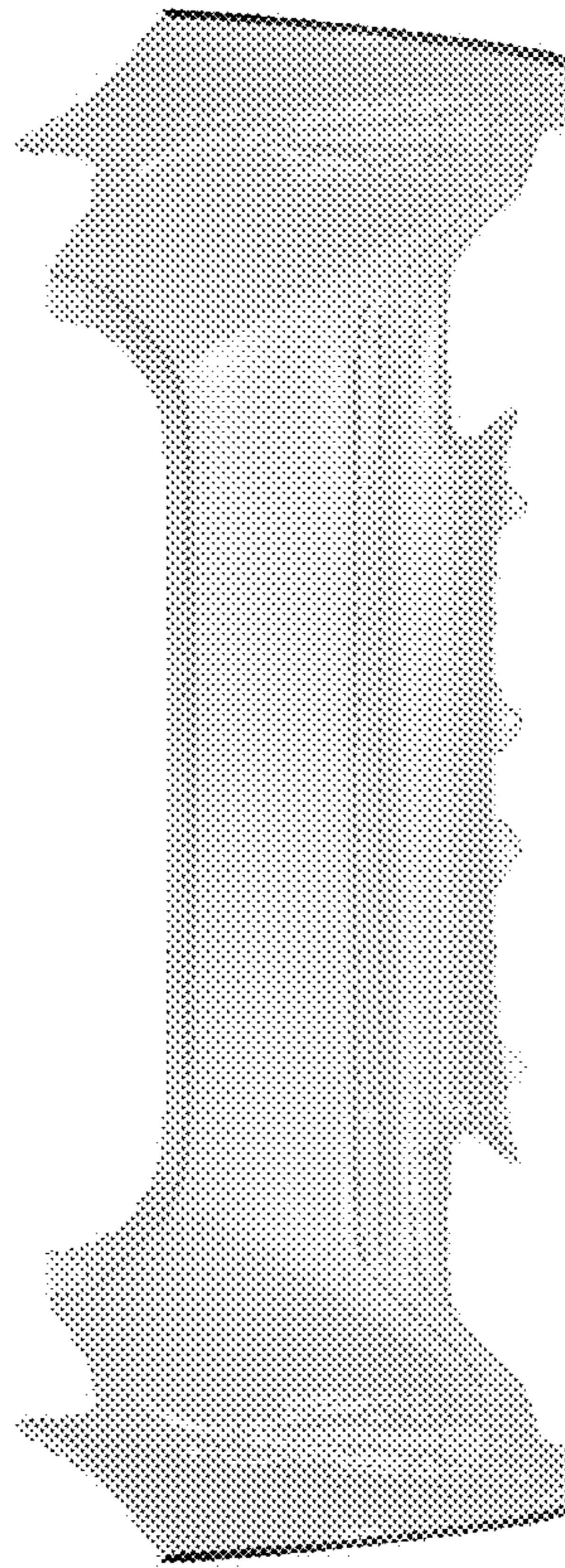


FIG. 3

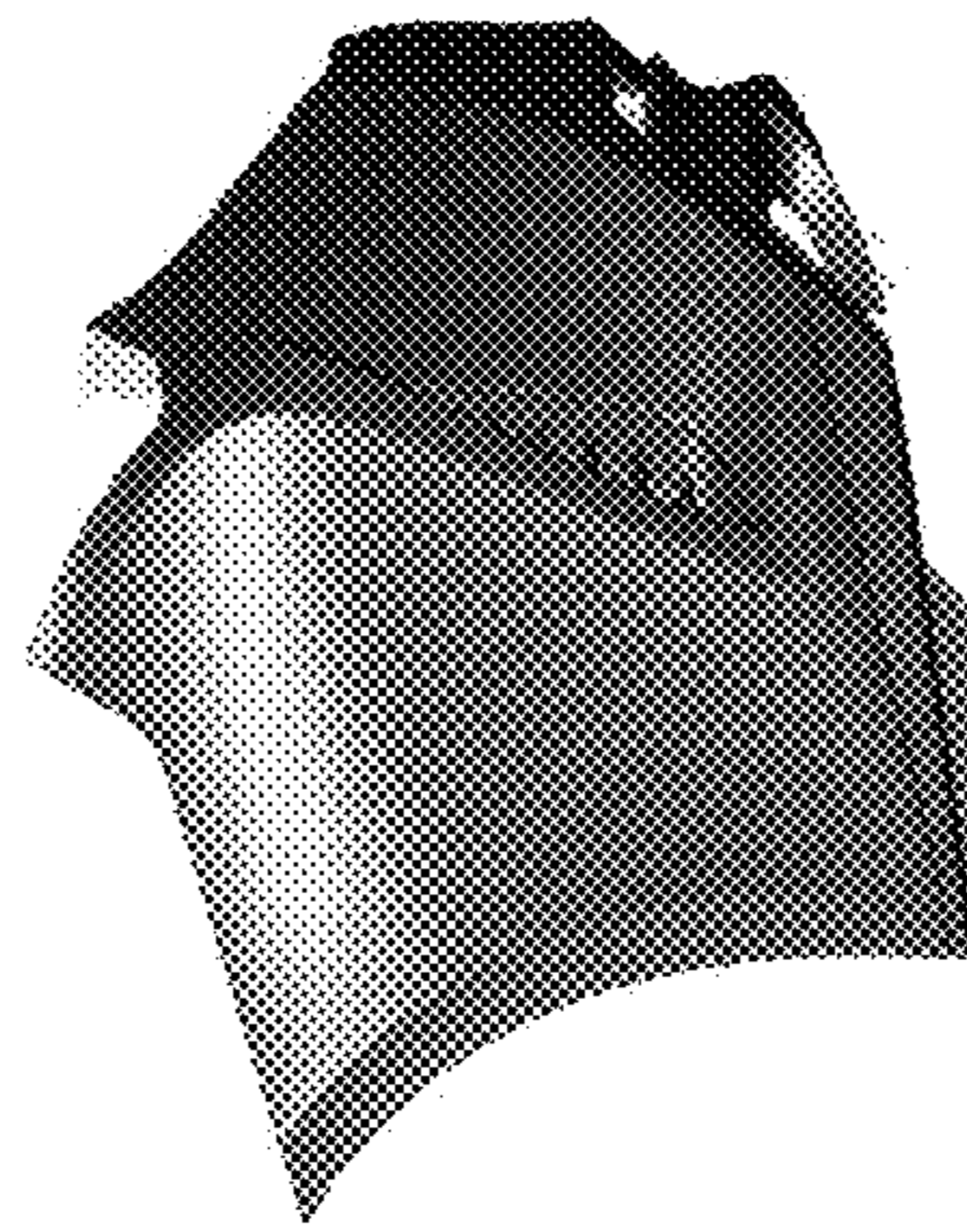


FIG. 4

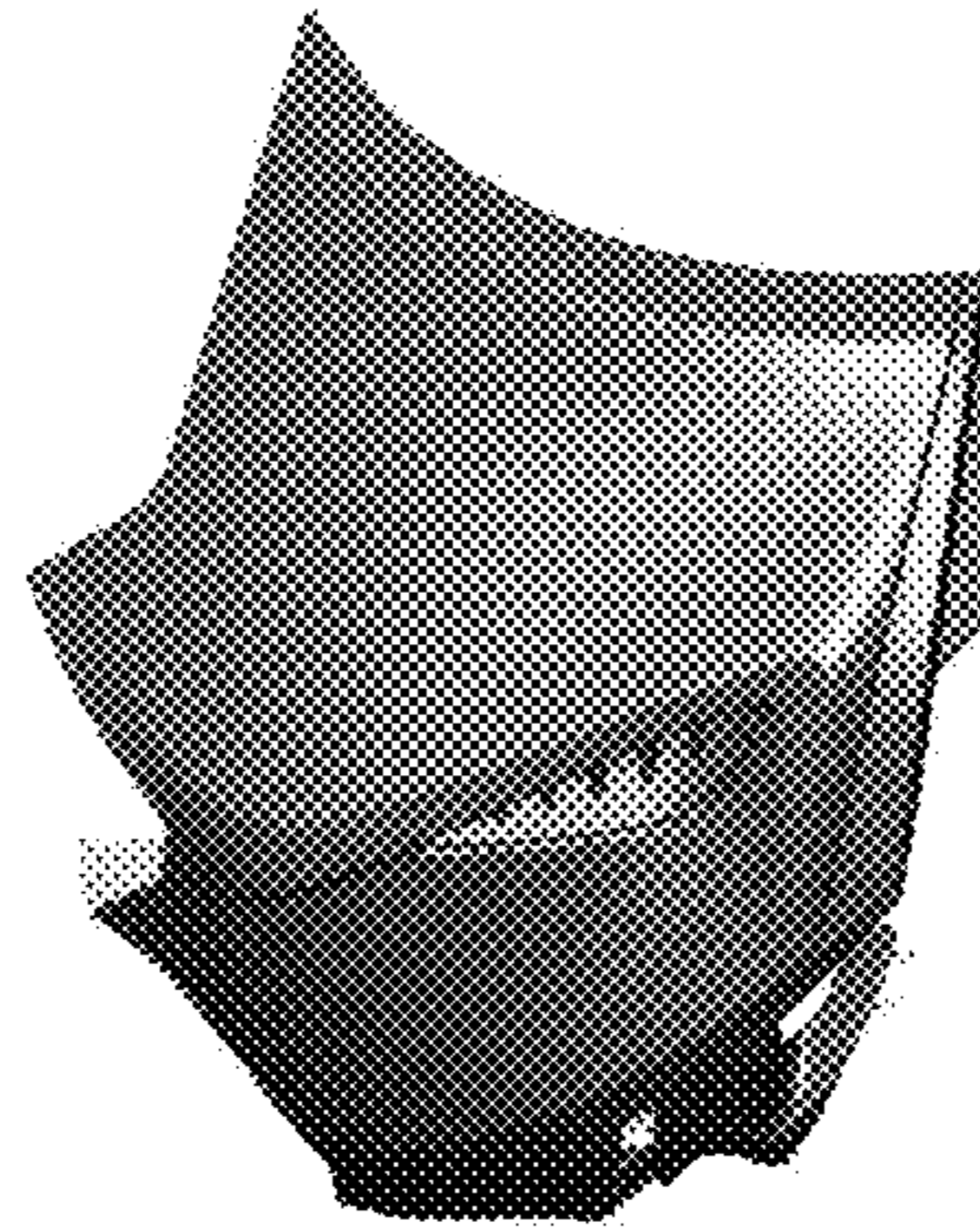


FIG. 5

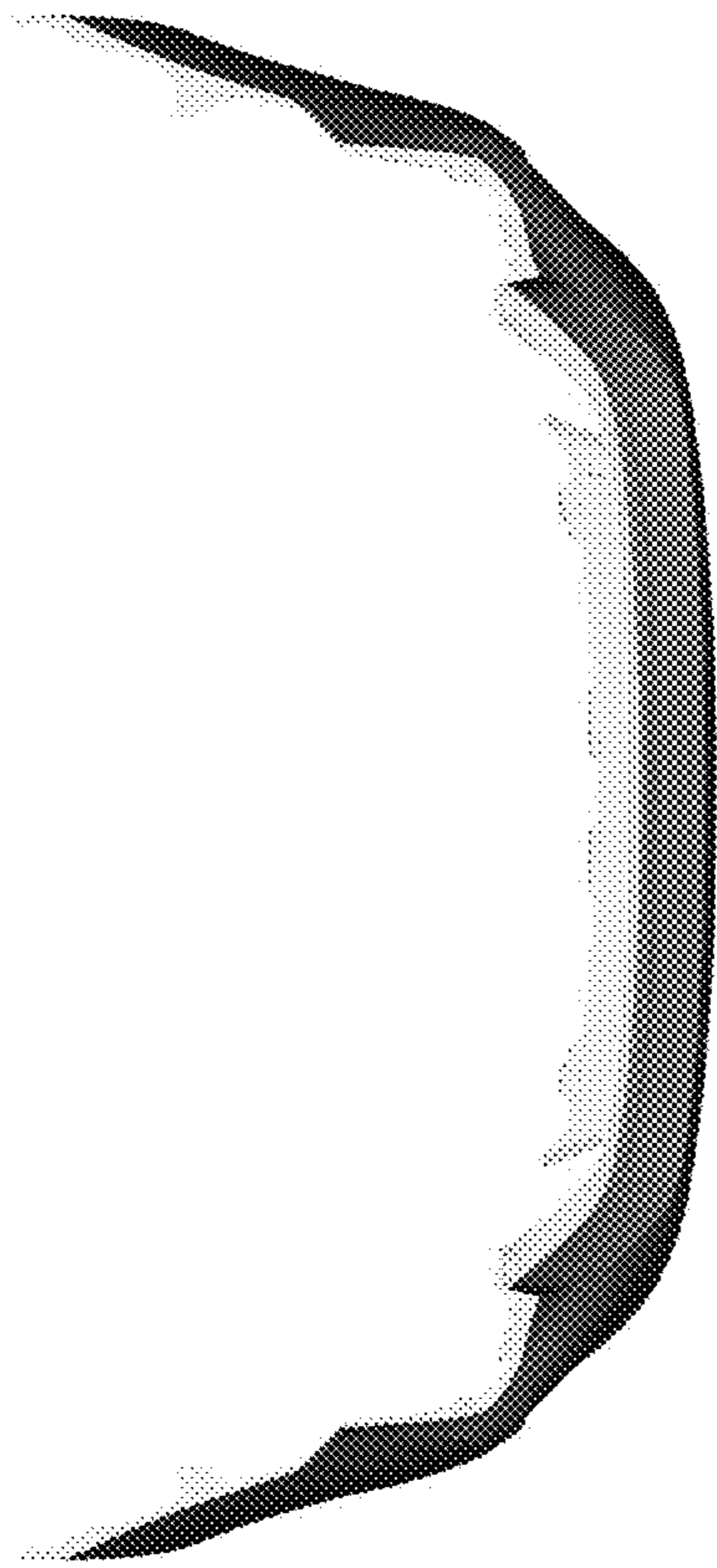


FIG. 6

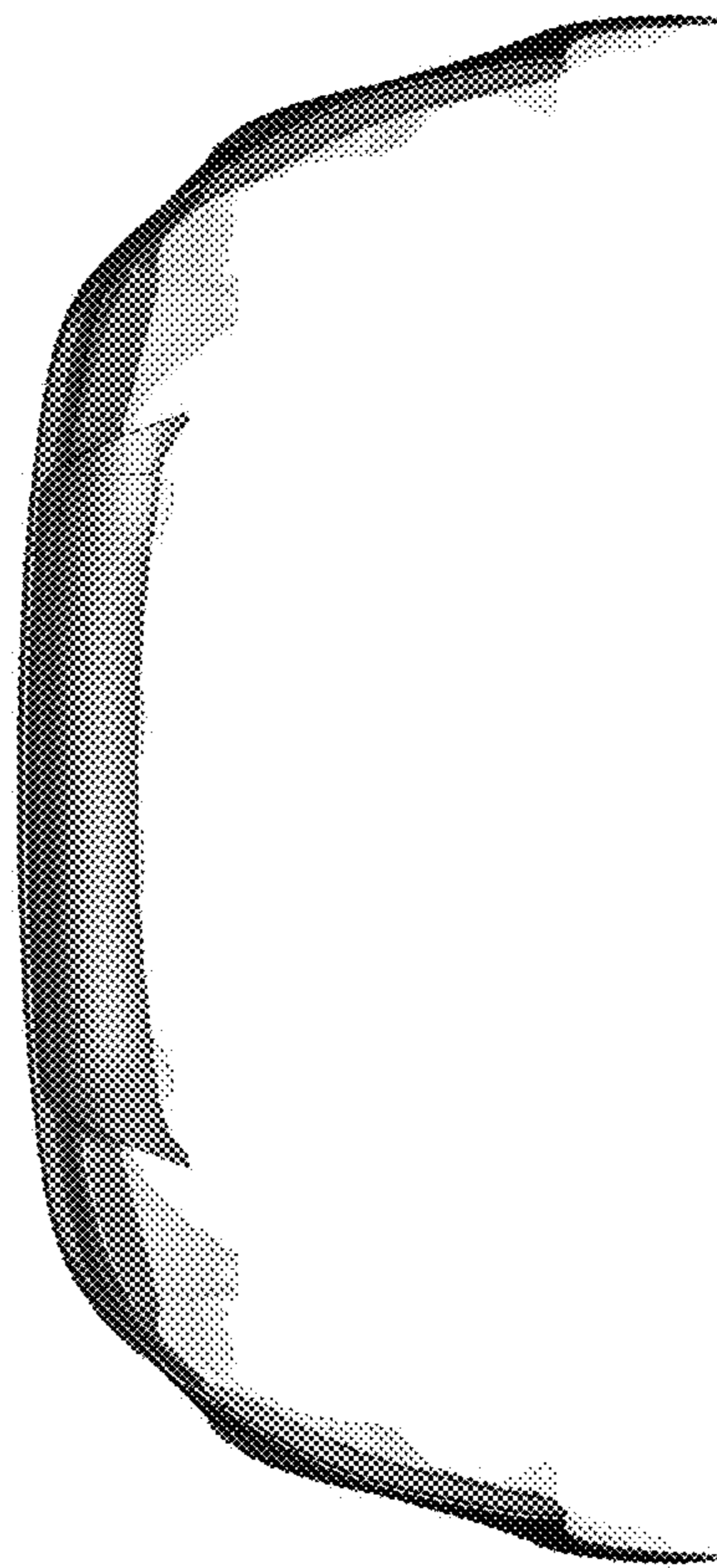


FIG. 7