



US00D867234S

(12) **United States Design Patent** (10) **Patent No.:** **US D867,234 S**  
**Peplowski** (45) **Date of Patent:** **\*\* Nov. 19, 2019**

(54) **REAR BUMPER FOR A VEHICLE**  
(71) Applicant: **Bayerische Motoren Werke Aktiengesellschaft, Munich (DE)**

D824,818 S \* 8/2018 Morikawa ..... D12/169  
D826,113 S \* 8/2018 Kanai ..... D12/169  
D840,883 S \* 2/2019 Cartabiano ..... D12/169  
D841,537 S \* 2/2019 Morikawa ..... D12/169

(72) Inventor: **Jacek Peplowski, Munich (DE)**  
(73) Assignee: **Bayerische Motoren Werke Aktiengesellschaft, Munich (DE)**

**FOREIGN PATENT DOCUMENTS**

EM 001132864-0002 6/2009  
EM 001829227-0002 3/2011  
WO WO DM/095565 10/2017

(\*\*) Term: **15 Years**  
(21) Appl. No.: **29/650,341**  
(22) Filed: **Jun. 6, 2018**

\* cited by examiner  
*Primary Examiner* — Melody N Brown  
(74) *Attorney, Agent, or Firm* — Crowell & Moring LLP

(30) **Foreign Application Priority Data**  
Dec. 13, 2017 (DE) ..... 40 2017 101 348

(57) **CLAIM**  
The ornamental design for a rear bumper for a vehicle, as shown and described.

(51) **LOC (12) Cl.** ..... **12-16**  
(52) **U.S. Cl.**  
USPC ..... **D12/169**

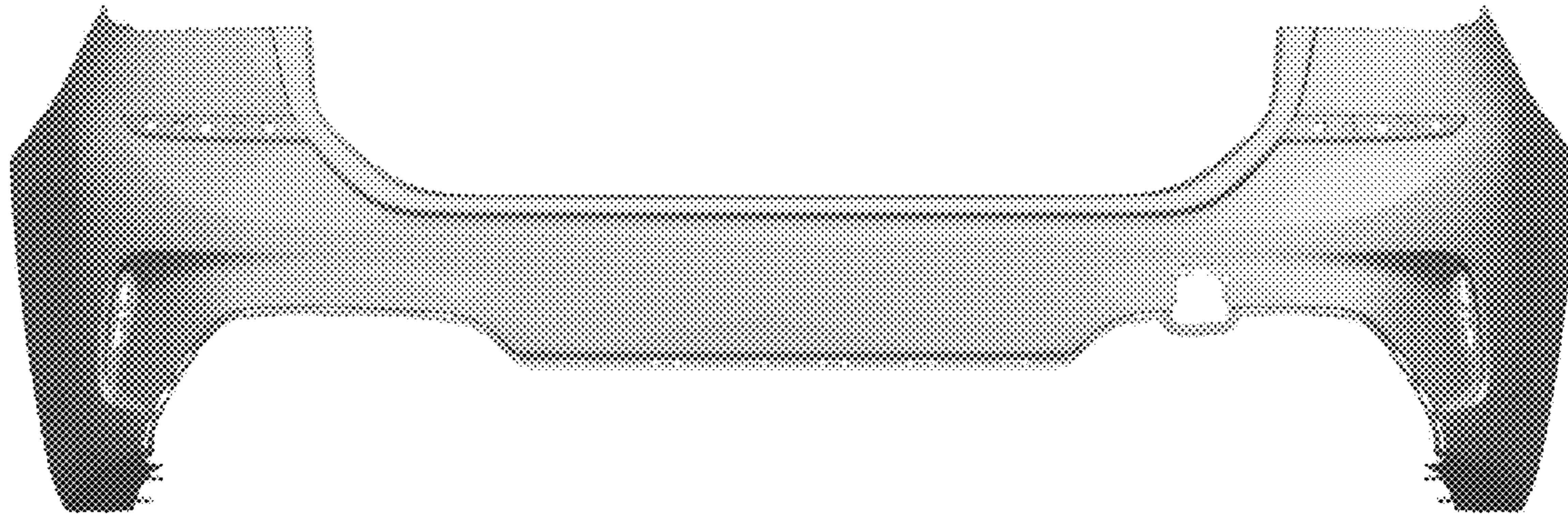
**DESCRIPTION**

(58) **Field of Classification Search**  
USPC .... D12/169, 164, 196, 171, 163, 86, 90-92;  
293/102, 113, 115, 117, 120; 296/180.1,  
296/180.2  
CPC ..... B60R 19/02; B60R 19/04; B62D 25/08  
See application file for complete search history.

This application contains subject matter related to the following co-pending U.S. design patent applications:  
Application Ser. No. 29/650,331, filed herewith and entitled "Rear Bumper for a Vehicle";  
Application Ser. No. 29/650,336, filed herewith and entitled "Rear Bumper for a Vehicle"; and  
Application Ser. No. 29/650,340, filed herewith and entitled "Rear Bumper for a Vehicle".  
FIG. 1 is a front view of a rear bumper for a vehicle according to the design;  
FIG. 2 is a left, front perspective view thereof;  
FIG. 3 is a right, front perspective view thereof;  
FIG. 4 is a left side view thereof;  
FIG. 5 is a right side view thereof;  
FIG. 6 is a top view thereof;  
FIG. 7 is a bottom view thereof; and,  
FIG. 8 is a rear view thereof.

(56) **References Cited**  
**U.S. PATENT DOCUMENTS**  
D610,498 S 2/2010 Truebsbach  
D725,010 S \* 3/2015 Takei ..... D12/169  
D744,913 S 12/2015 Leclercq  
D765,567 S 9/2016 De Bono  
D782,373 S \* 3/2017 Curic ..... D12/169  
D792,291 S \* 7/2017 Suga ..... D12/169  
D800,034 S \* 10/2017 Kojima ..... D12/169  
D802,500 S \* 11/2017 Han ..... D12/169  
D824,301 S 7/2018 Lim  
D824,817 S \* 8/2018 Morikawa ..... D12/169

**1 Claim, 8 Drawing Sheets**



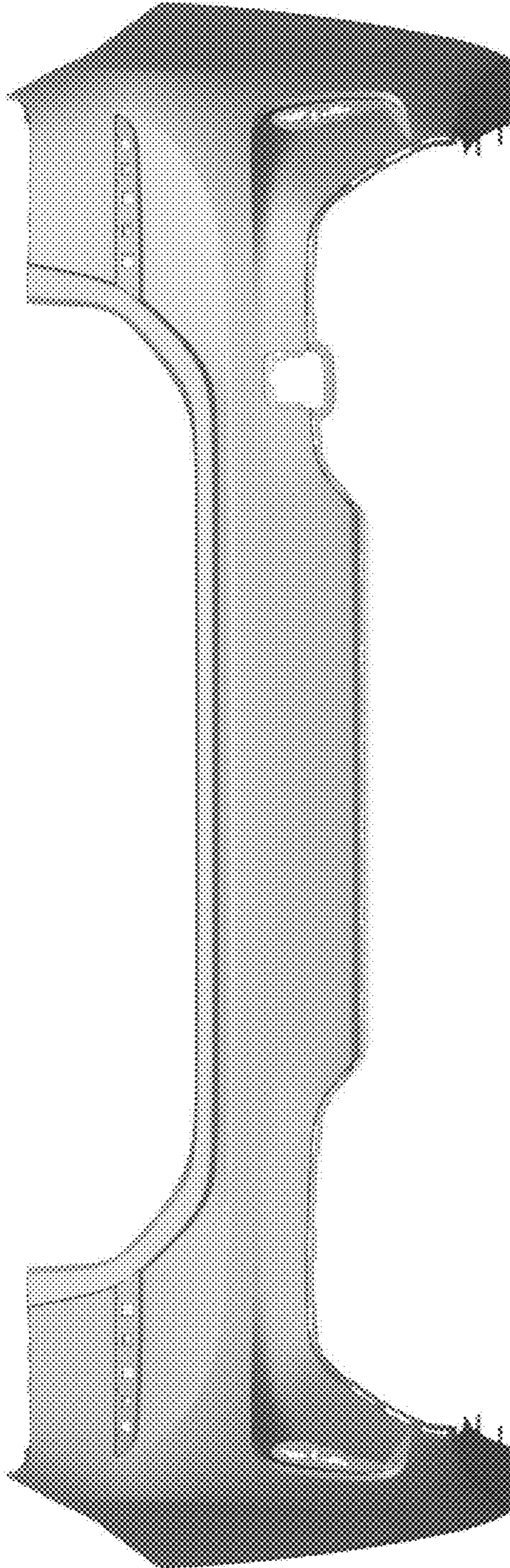


Fig. 1

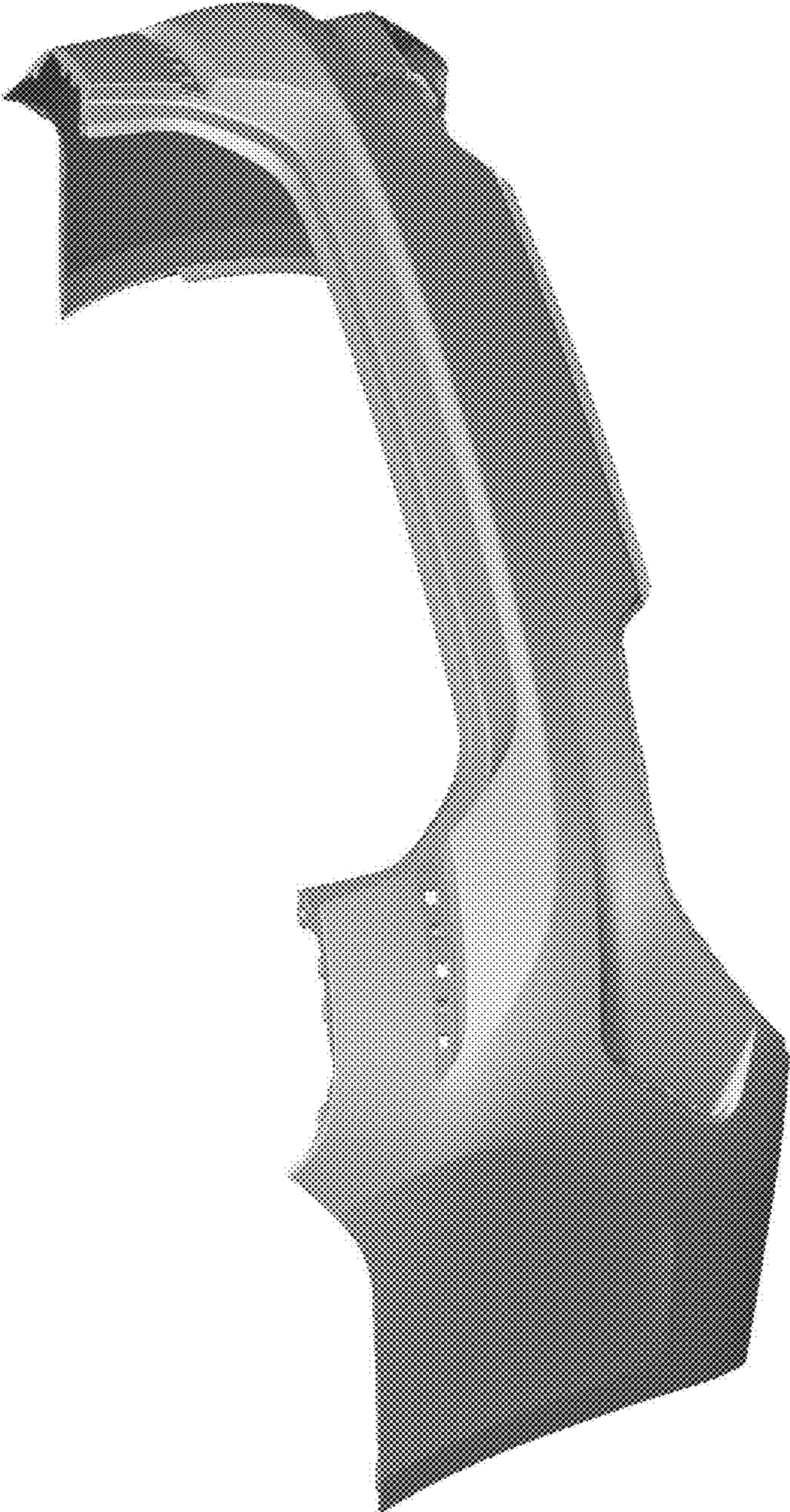


Fig. 2

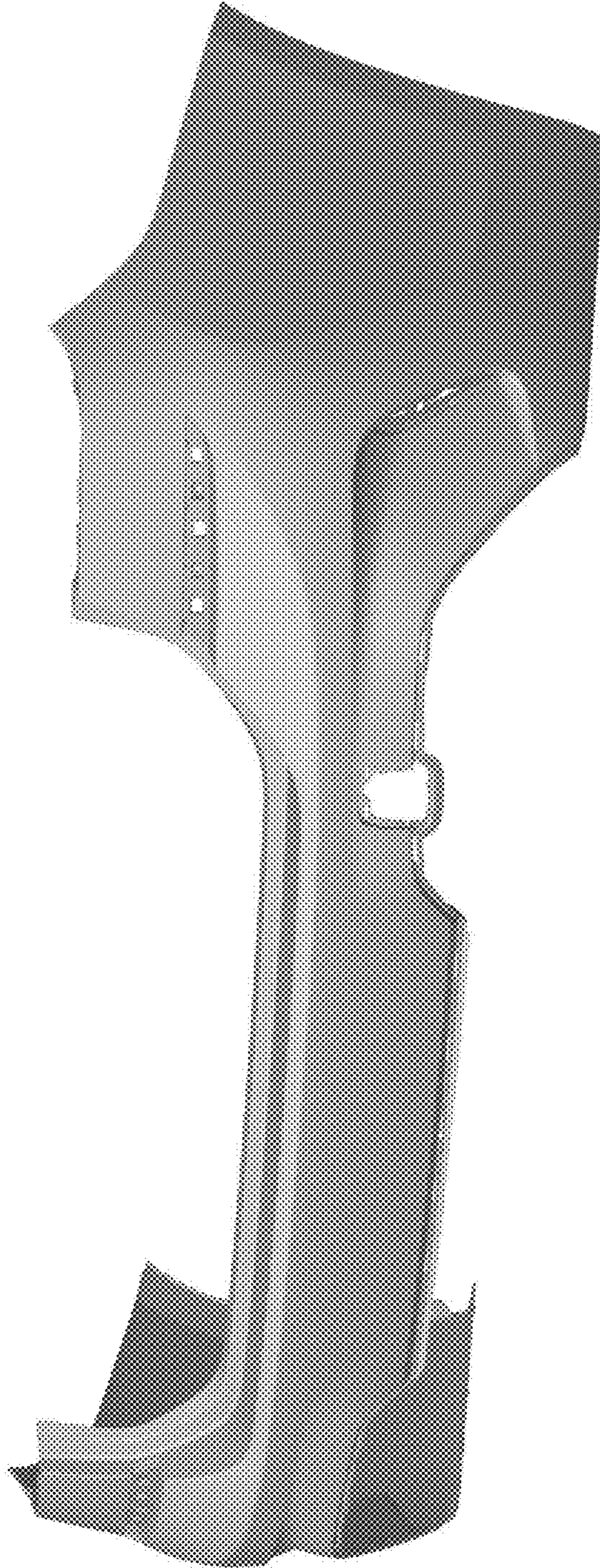


Fig. 3

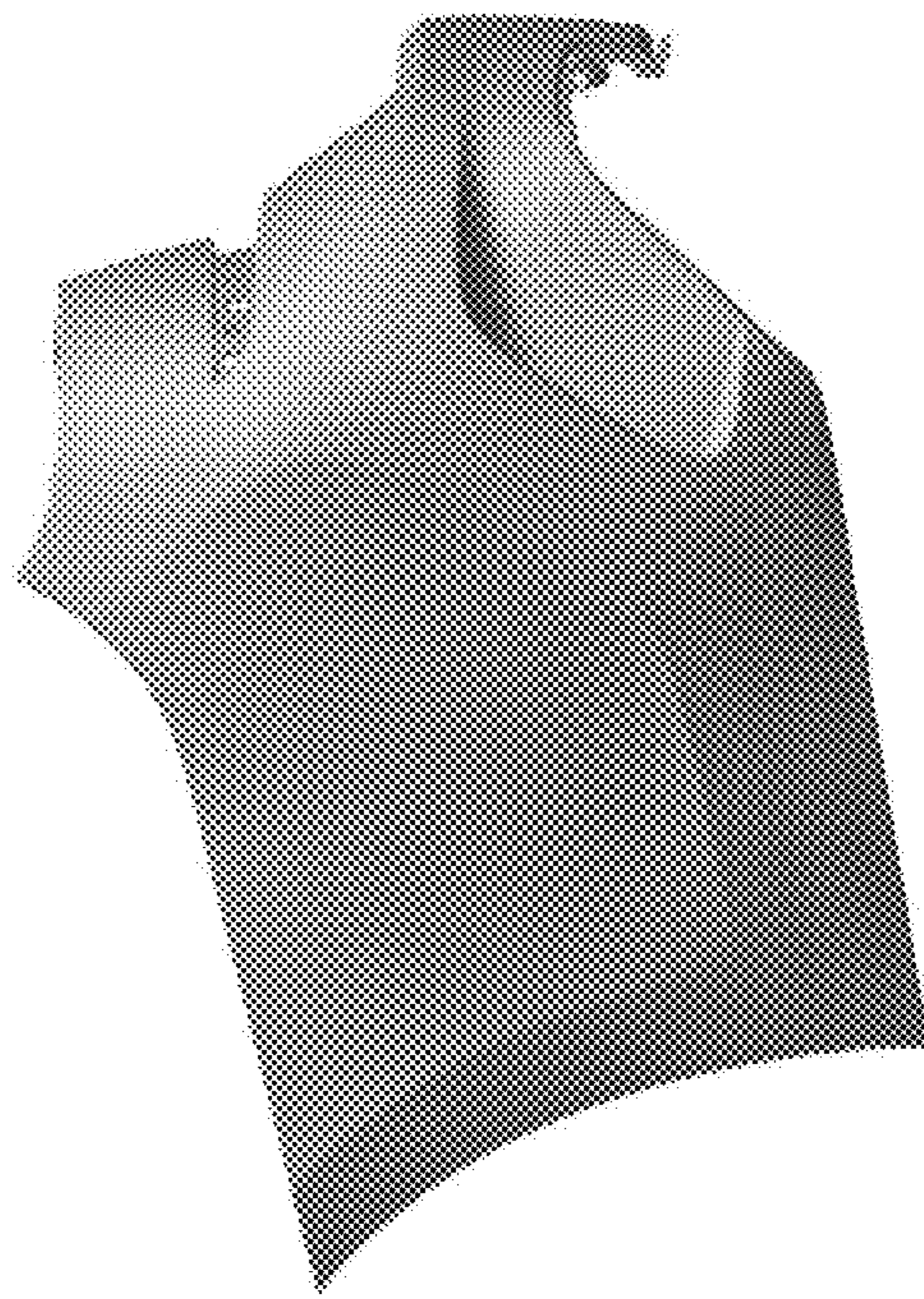


Fig. 4

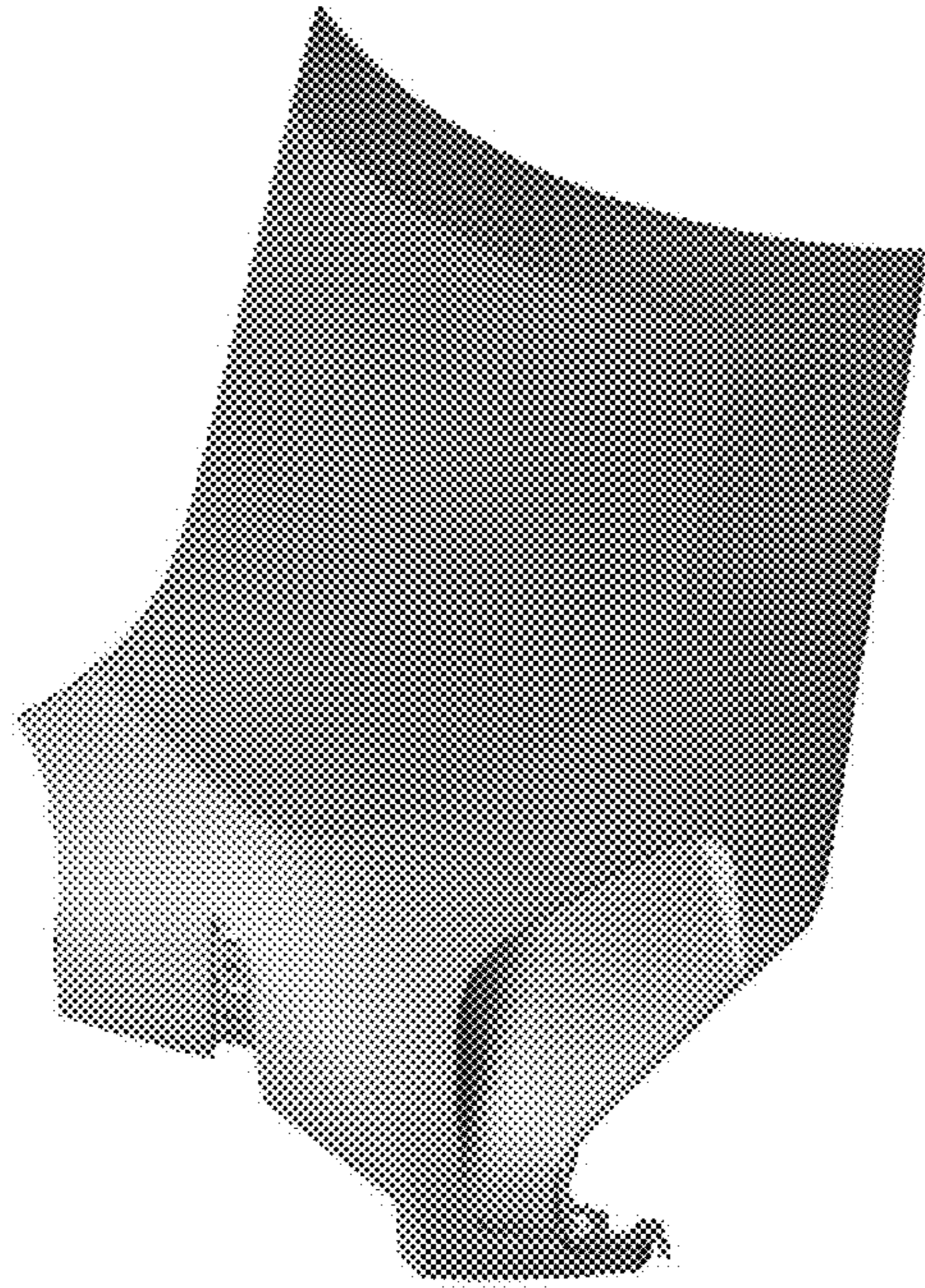


Fig. 5

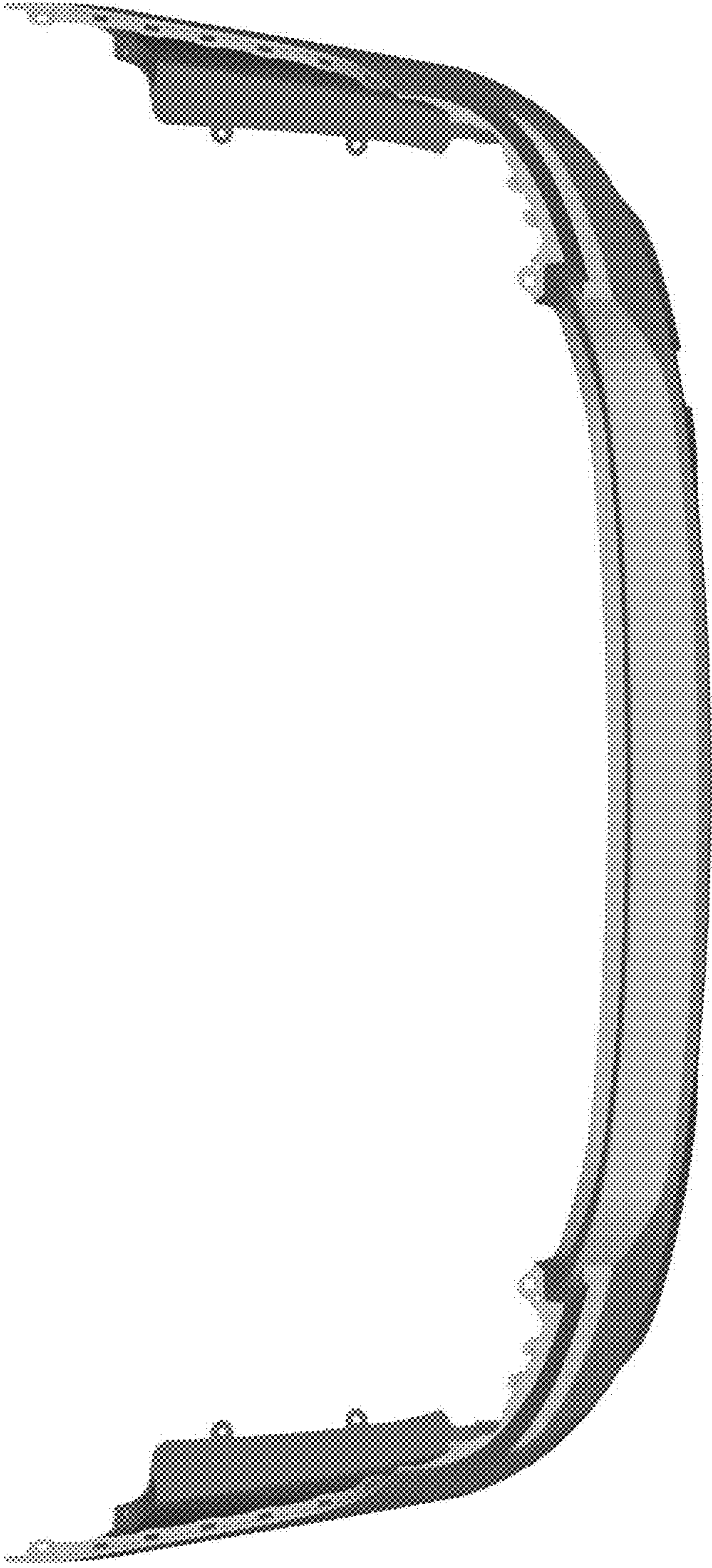


Fig. 6

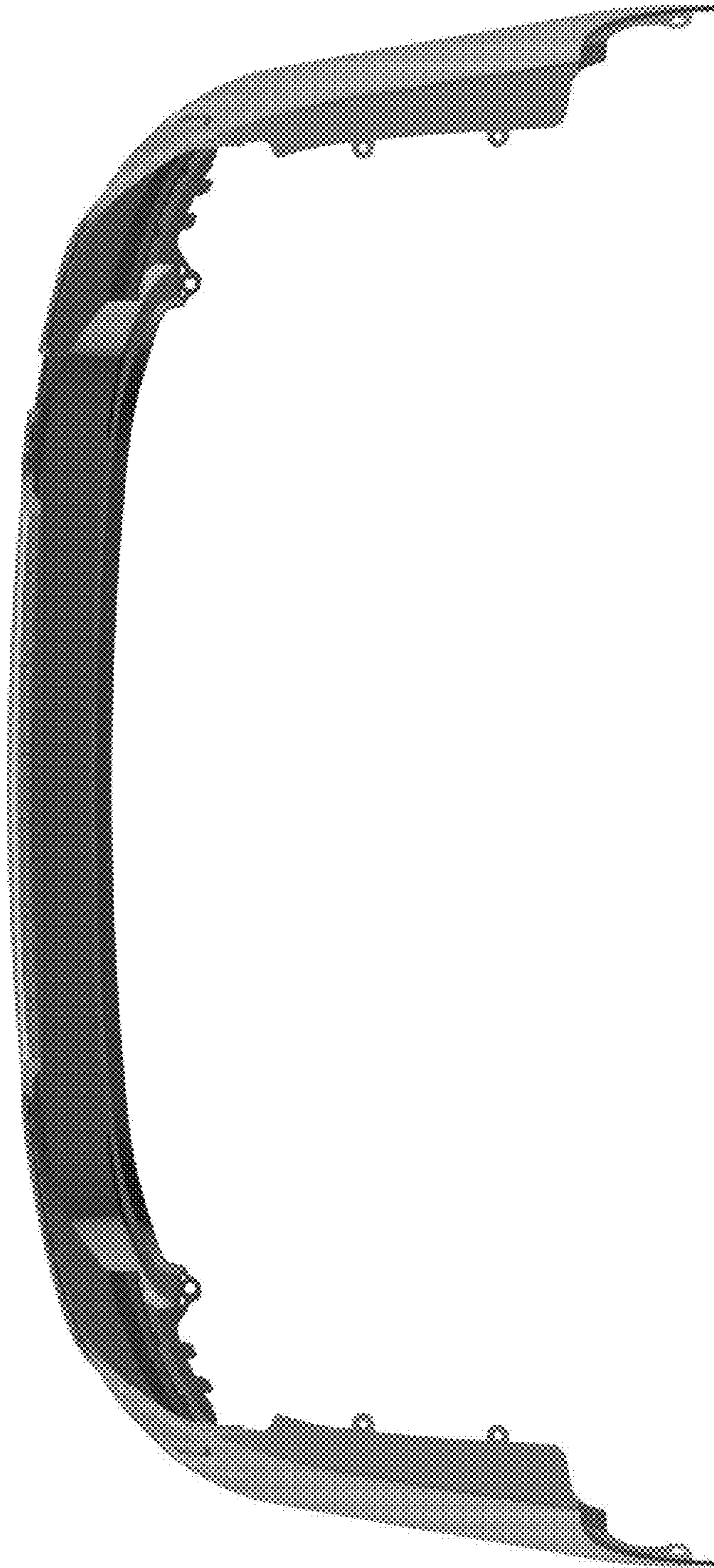


Fig. 7



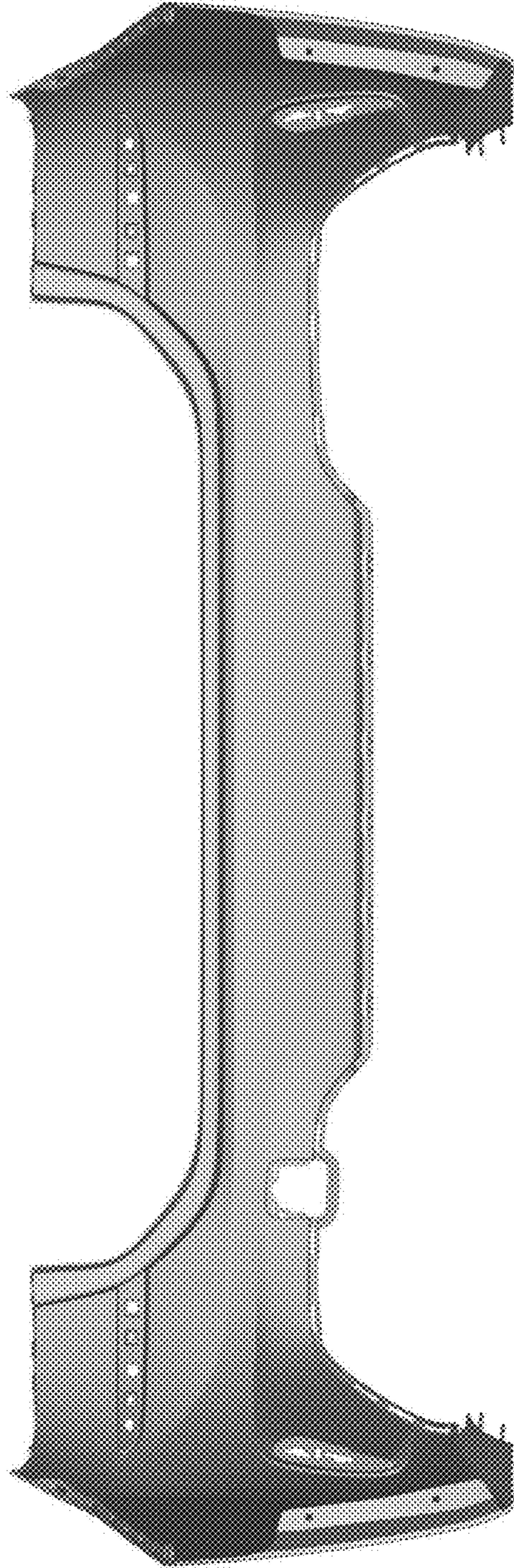


Fig. 8