

US00D867231S

(12) **United States Design Patent** (10) **Patent No.:** **US D867,231 S**
Lascurain et al. (45) **Date of Patent:** **** Nov. 19, 2019**

(54) **VEHICLE ROOF GUARD**
(71) Applicants: **Gilbert Lascurain**, Ontario, CA (US);
Nancy Lascurain, Ontario, CA (US)
(72) Inventors: **Gilbert Lascurain**, Ontario, CA (US);
Nancy Lascurain, Ontario, CA (US)
(73) Assignee: **Gilbert John Lascurain**, Moreno
Valley, CA (US)
(**) Term: **15 Years**
(21) Appl. No.: **29/654,549**
(22) Filed: **Jun. 26, 2018**
(51) **LOC (12) Cl.** **12-16**
(52) **U.S. Cl.**
USPC **D12/167**; D12/193; D12/401
(58) **Field of Classification Search**
USPC D12/86, 90, 91, 92, 110, 114, 163, 169,
D12/171, 190, 400; D11/11, 81, 133,
D11/157, 172, 211; D20/23, 24, 25, 30,
D20/31, 32
CPC ... G09F 7/00; G09F 7/02; G06K 9/325; B60P
3/36; B60R 13/10; B60R 13/105; B60R
19/44; B60Q 1/56
See application file for complete search history.

(56) **References Cited**
U.S. PATENT DOCUMENTS
D484,080 S * 12/2003 Yamamoto D12/190
D503,910 S * 4/2005 Oertel D12/181
D519,891 S * 5/2006 Lai D12/181
D526,256 S * 8/2006 Lai D12/181
D558,654 S * 1/2008 Woods D12/190

D641,297 S * 7/2011 Vardis D12/181
D660,755 S * 5/2012 Inoue D12/190
D726,608 S * 4/2015 Curic D12/181
D731,935 S * 6/2015 Robinson D12/181
D759,556 S * 6/2016 Wheel D12/181
D763,751 S * 8/2016 Varga D12/181
D777,628 S * 1/2017 Kozub D12/181
D782,946 S * 4/2017 Wheel D12/181
D784,223 S * 4/2017 Lee D12/181
D807,247 S * 1/2018 Malina D12/167
D821,941 S * 7/2018 Mack D12/169
D822,557 S * 7/2018 DiCanzio D12/169
D827,524 S * 9/2018 Behmer D12/181
D828,258 S * 9/2018 Zipfel D12/190
D832,168 S * 10/2018 Platto D12/190
D840,291 S * 2/2019 Ardrey D12/167
D844,521 S * 4/2019 Von Holzhausen D12/196
2006/0203504 A1 * 9/2006 Mori B60Q 1/2615
362/541

* cited by examiner

Primary Examiner — Darlington Ly

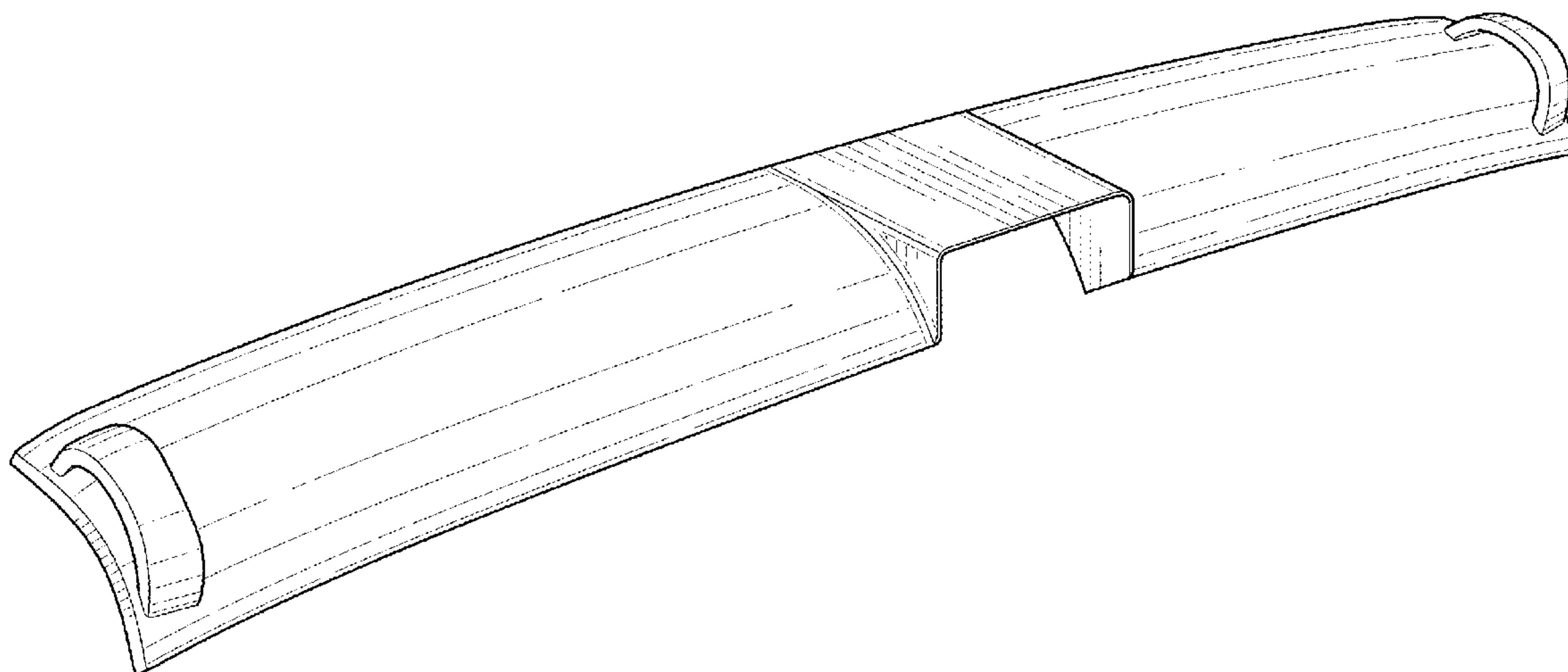
(57) **CLAIM**

The ornamental design for a vehicle roof guard, as shown and described.

DESCRIPTION

FIG. 1 is a perspective view of a vehicle roof guard showing our new design;
FIG. 2 is a top plan view thereof;
FIG. 3 is a bottom plan view thereof;
FIG. 4 is a rear elevation view thereof;
FIG. 5 is a front elevation view thereof;
FIG. 6 is a left side elevation view thereof; and,
FIG. 7 is a right side elevation view thereof.

1 Claim, 4 Drawing Sheets



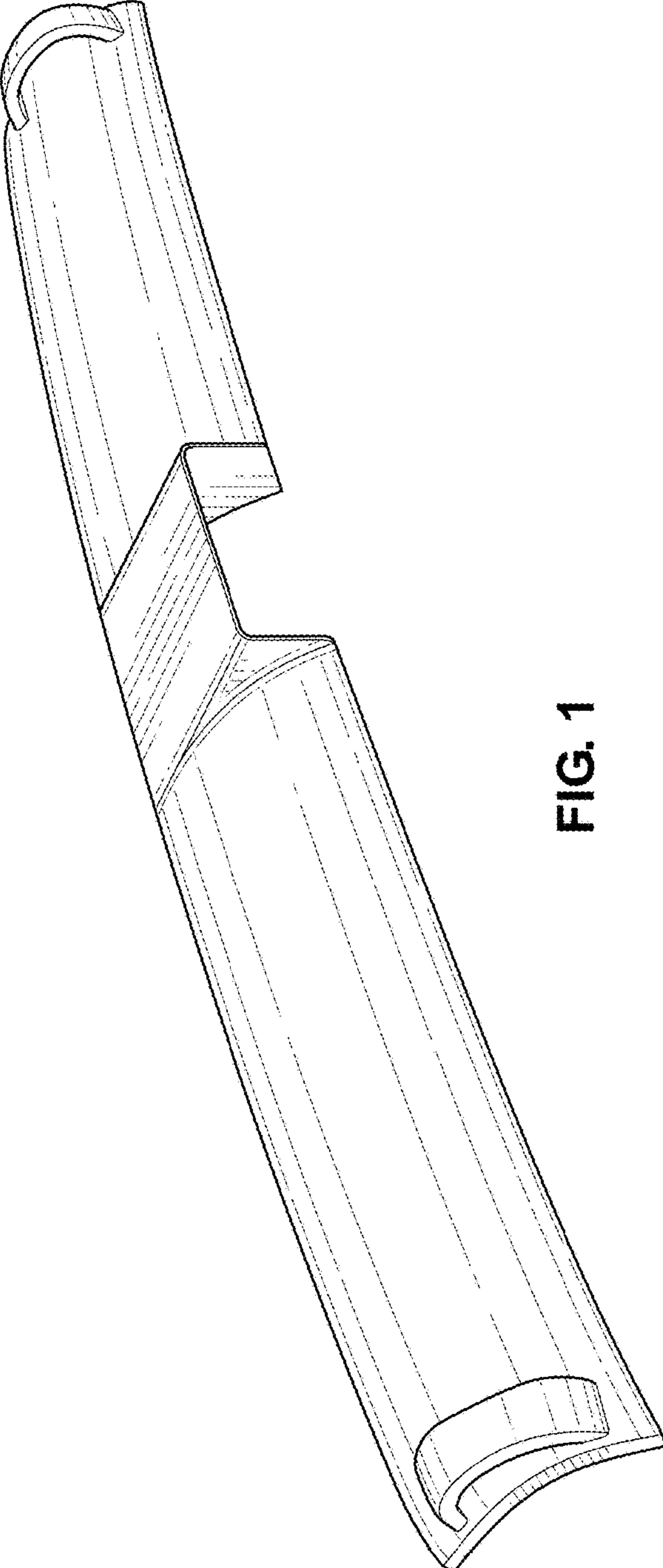


FIG. 1

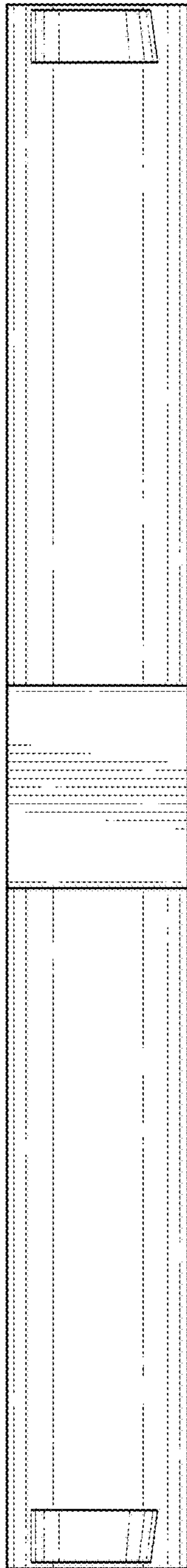


FIG. 2

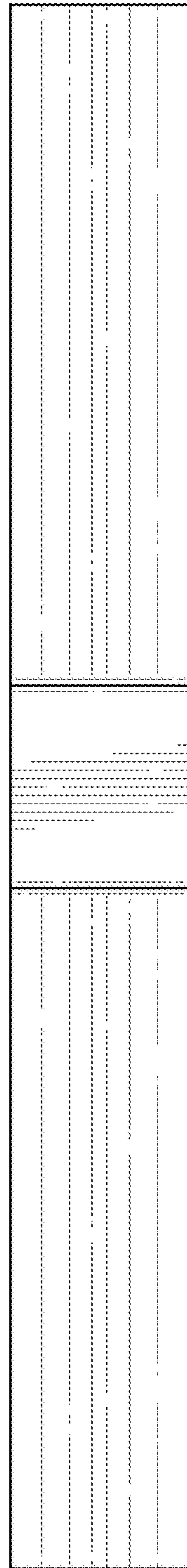


FIG. 3

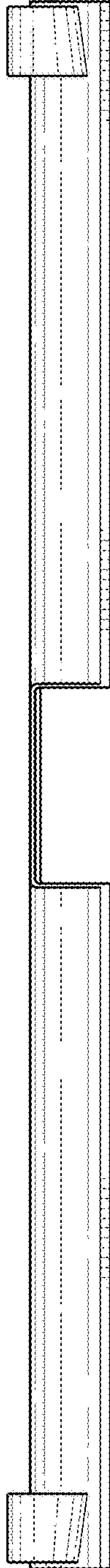


FIG. 4

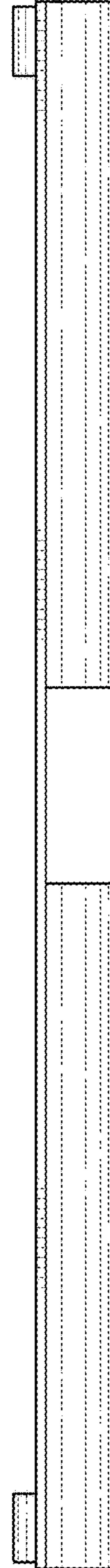


FIG. 5

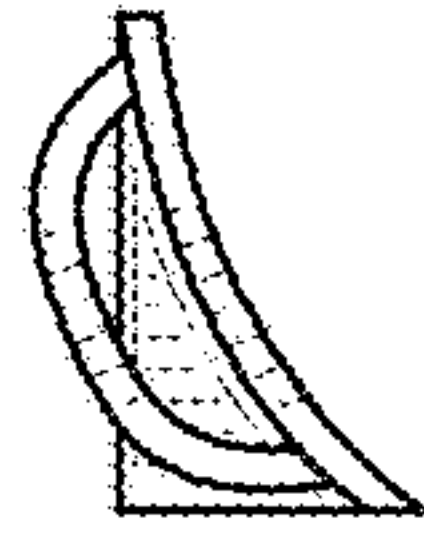


FIG. 7

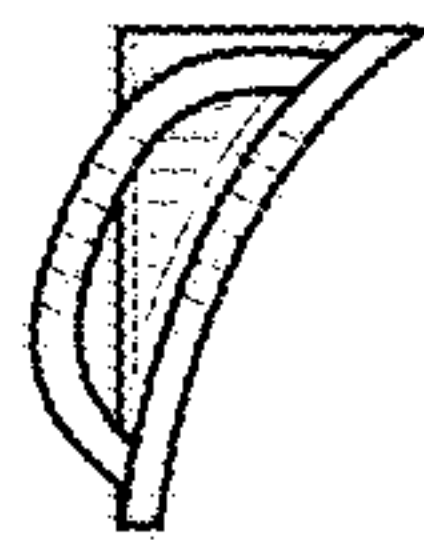


FIG. 6