



US00D867226S

(12) **United States Design Patent** (10) **Patent No.:** **US D867,226 S**
Gomez (45) **Date of Patent:** **** Nov. 19, 2019**

(54) **WALKER ADAPTER**
(71) Applicant: **Stephanie C. Gomez**, Naples, PA (US)
(72) Inventor: **Stephanie C. Gomez**, Naples, PA (US)
(**) Term: **15 Years**
(21) Appl. No.: **29/598,674**
(22) Filed: **Mar. 28, 2017**
(51) **LOC (12) Cl.** **12-12**
(52) **U.S. Cl.**
USPC **D12/133**
(58) **Field of Classification Search**
USPC D12/128-133
CPC A61H 3/00; A61H 3/04; A61H
2003/001-007; A61H 2003/043; A61H
2003/046
See application file for complete search history.

(56) **References Cited**
U.S. PATENT DOCUMENTS
3,692,359 A * 9/1972 Boucher A47D 1/08
280/30
4,800,910 A * 1/1989 Gamm A61H 3/04
135/67
5,579,793 A * 12/1996 Gajewski A61H 3/00
135/67

5,782,256 A * 7/1998 Bradley A61H 3/04
135/77
D404,345 S * 1/1999 Donets D12/130
8,789,547 B1 * 7/2014 Reda A61H 3/00
135/77
D731,366 S * 6/2015 Gingras D12/133
D834,462 S * 11/2018 Kutsch D12/133
2007/0169308 A1 * 7/2007 Chiu A47B 91/06
16/42 R

* cited by examiner

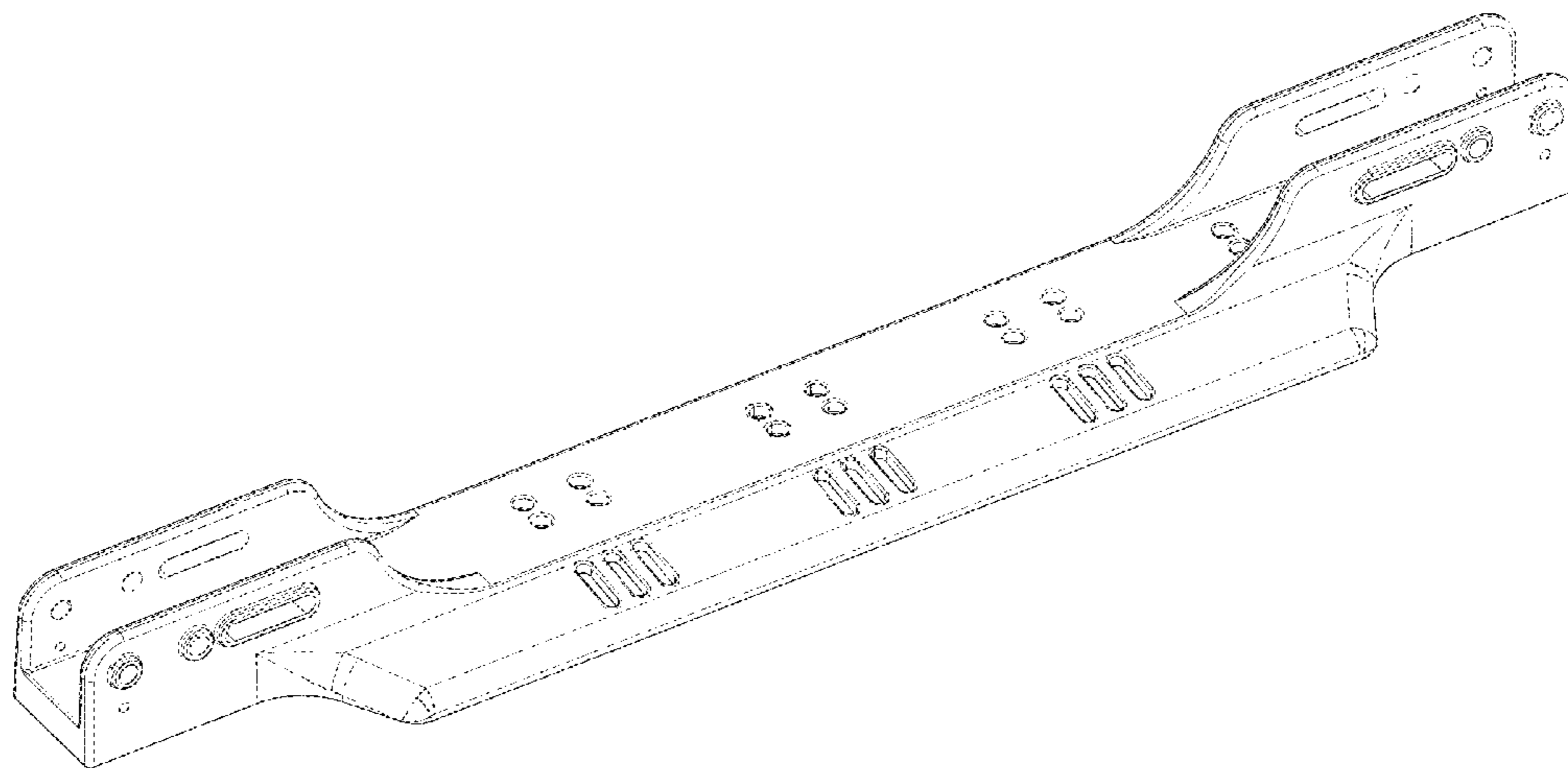
Primary Examiner — Charles D Hanson
(74) *Attorney, Agent, or Firm* — Cohen & Grigsby, P.C.

(57) **CLAIM**
The ornamental design for a walker adapter, as shown and described.

DESCRIPTION

FIG. 1 is a top perspective view of the walker adapter.
FIG. 2 is a front perspective view of the walker adapter.
FIG. 3 is a top view of the walker adapter.
FIG. 4 is a bottom view of the walker adapter.
FIG. 5 is a right side view of the walker adapter.
FIG. 6 is a left side view of the walker adapter.
FIG. 7 is a front view of the walker adapter; and,
FIG. 8 is a rear view of the walker adapter.
The broken lines in FIG. 2 define the bounds of the claimed design and form no part thereof.

1 Claim, 7 Drawing Sheets



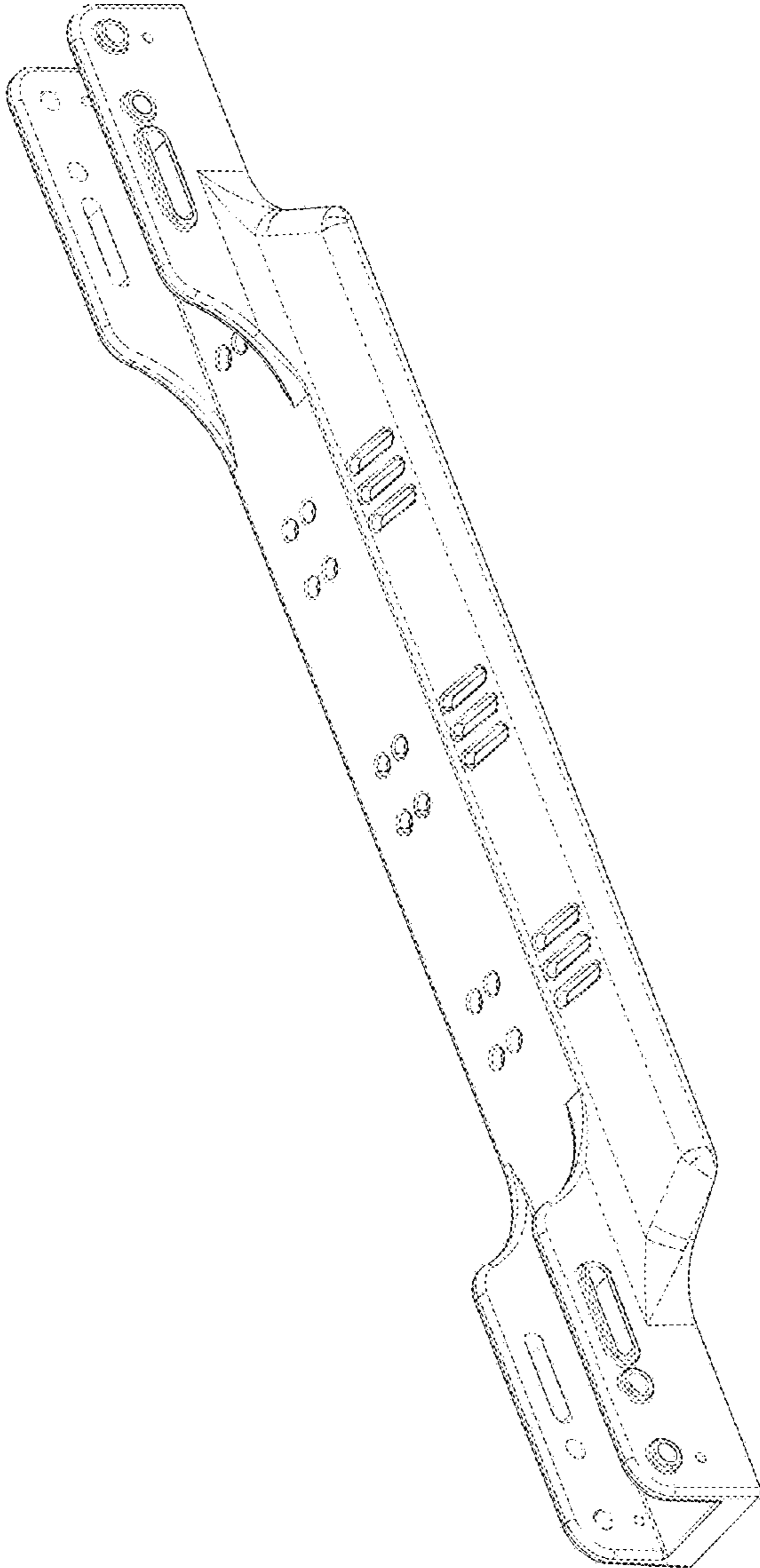


FIG. 1

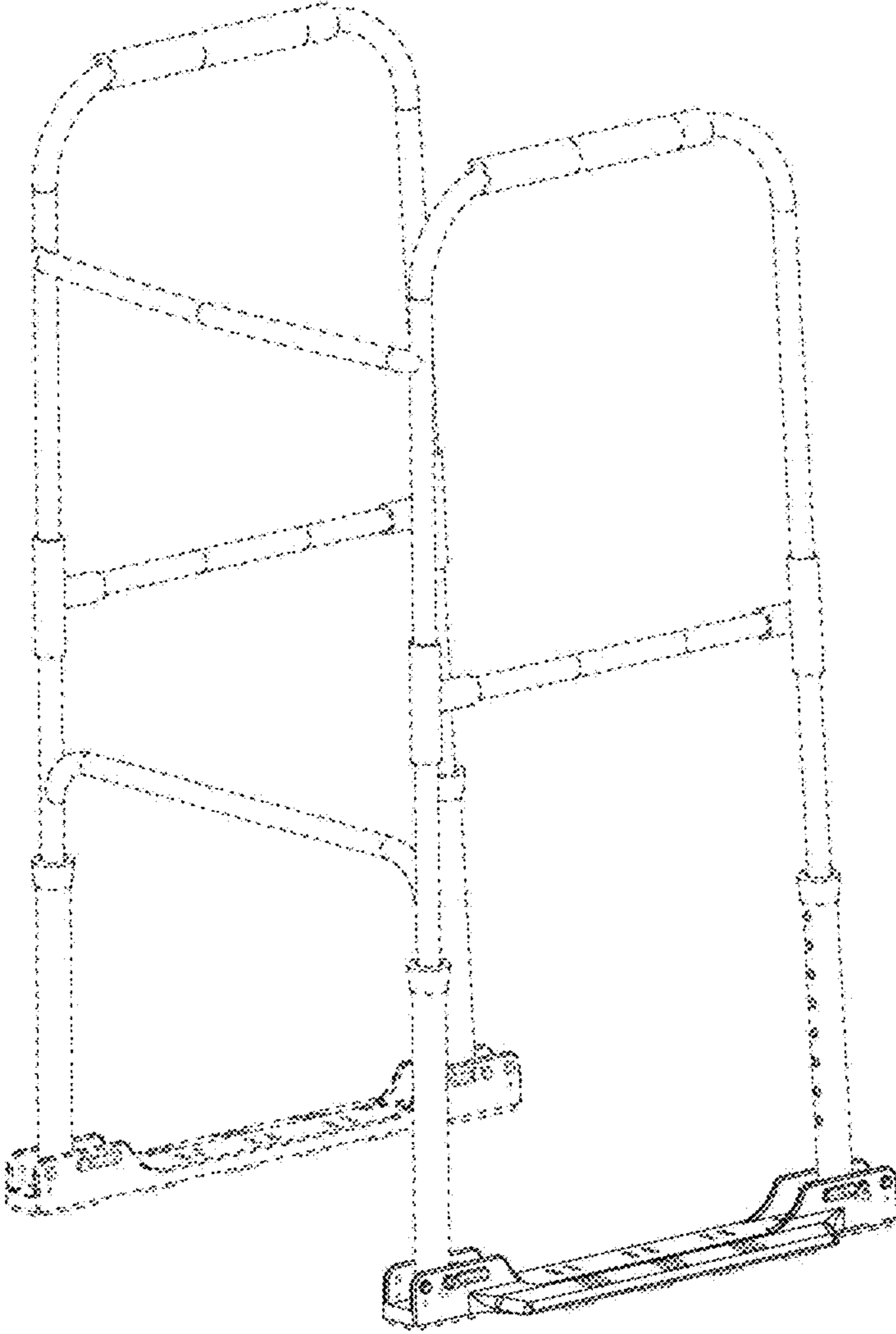


FIG. 2

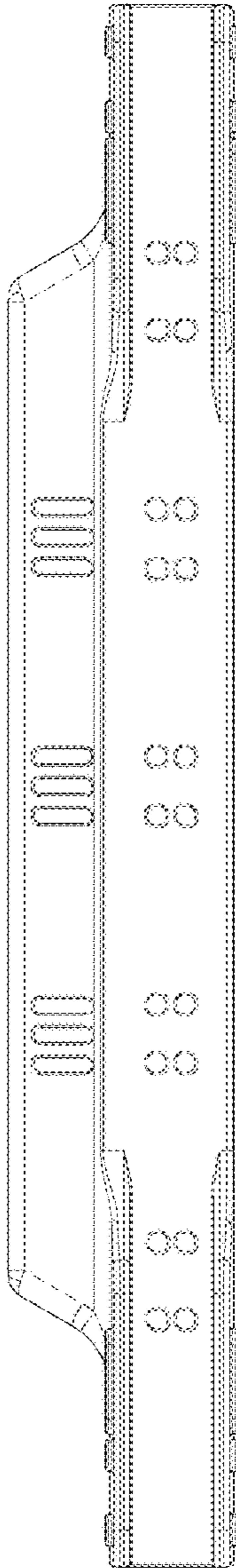


FIG. 3

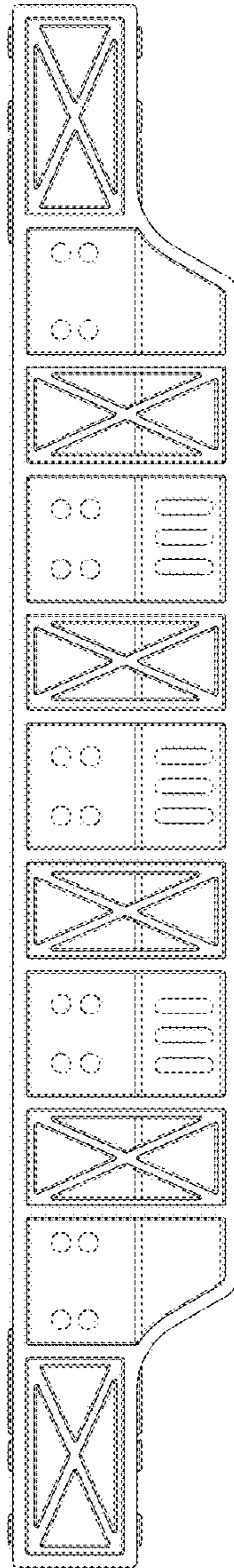


FIG. 4

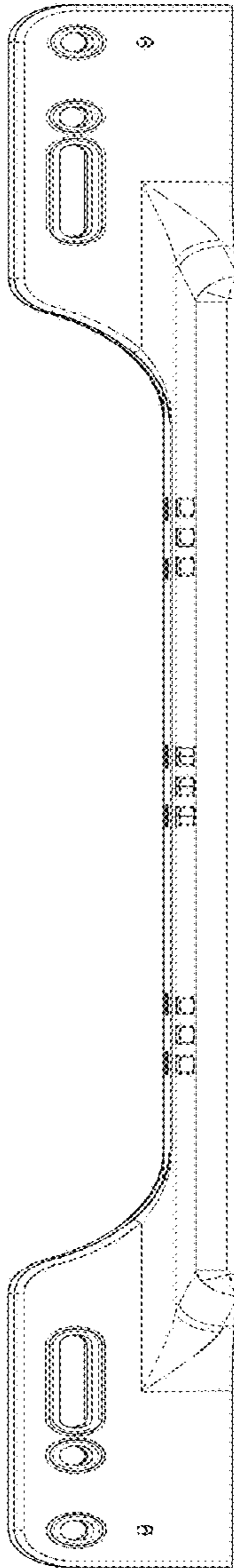


FIG. 5

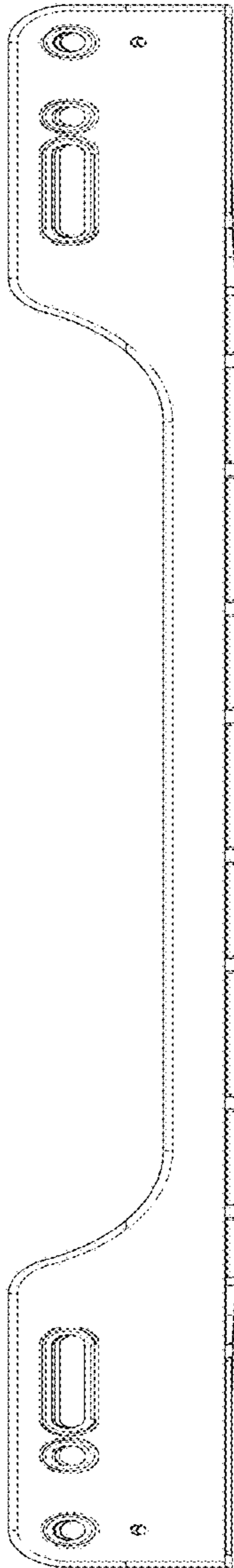


FIG. 6

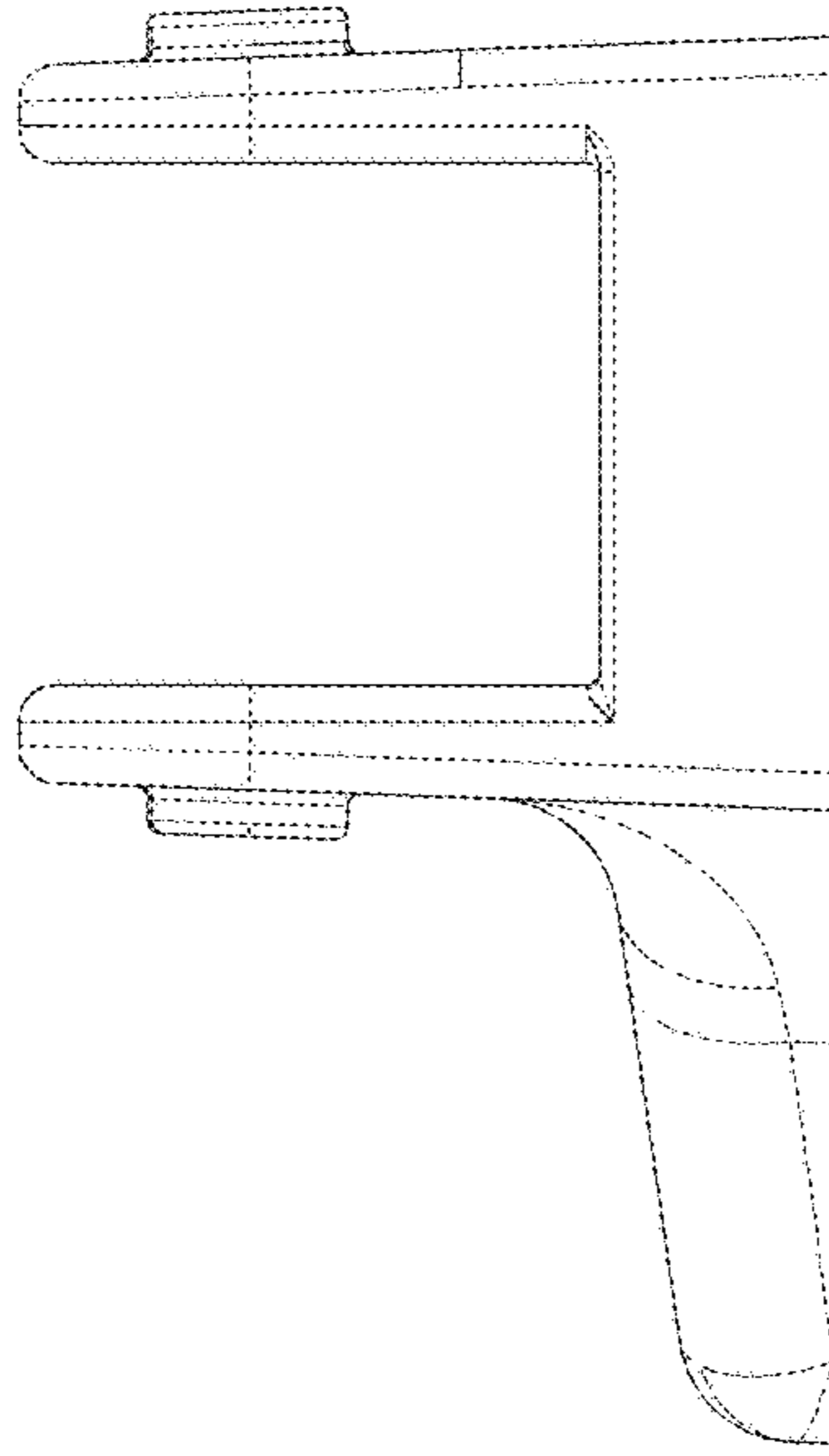


FIG. 8

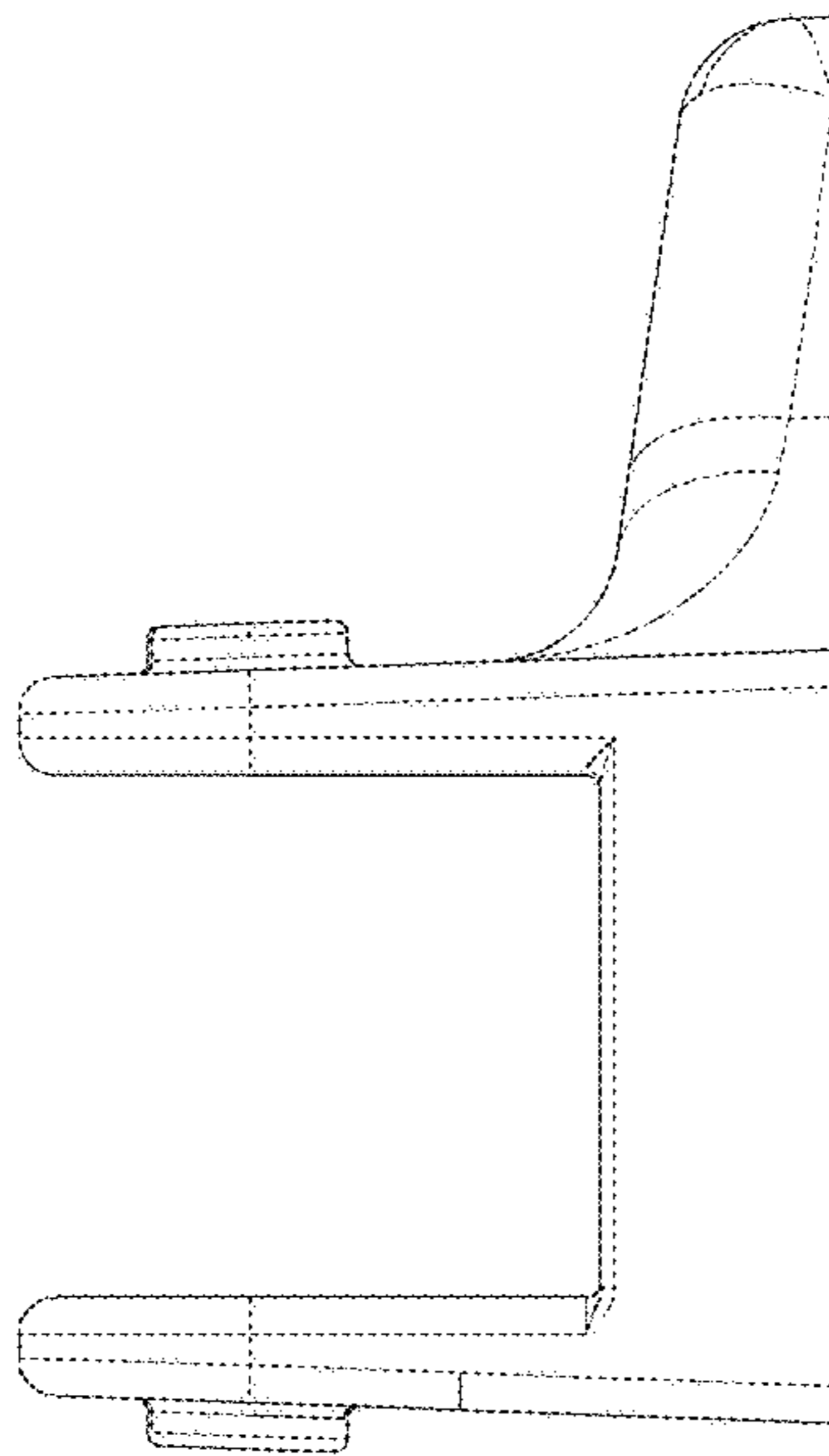


FIG. 7