

US00D867223S

(12) **United States Design Patent** (10) **Patent No.:** **US D867,223 S**
Deltour (45) **Date of Patent:** **** Nov. 19, 2019**

(54) **HANDLEBAR STEM FOR A BICYCLE**
(71) Applicant: **LA POSTE**, Paris (FR)
(72) Inventor: **Pauline Deltour**, Paris (FR)
(73) Assignee: **LA POSTE**, Paris (FR)
(**) Term: **15 Years**
(21) Appl. No.: **29/632,214**
(22) Filed: **Jan. 5, 2018**
(51) **LOC (12) Cl.** **12-11**
(52) **U.S. Cl.**
USPC **D12/114**
(58) **Field of Classification Search**
USPC D12/114, 111, 117, 118, 178; D23/253
CPC B62K 19/40; B62K 21/12; B62K 21/14;
B62K 21/16; B62K 21/18; B62J 11/00
See application file for complete search history.

(56) **References Cited**

U.S. PATENT DOCUMENTS

4,489,307 A * 12/1984 Nagano B62J 99/00
340/432
D285,295 S * 8/1986 Kirkpatrick D12/118
5,241,881 A * 9/1993 Chen B62K 21/14
280/276
D348,636 S * 7/1994 Williams D12/118
5,331,865 A * 7/1994 Oskam B62K 21/16
74/551.3
D354,259 S * 1/1995 Kurke D12/118
D356,759 S * 3/1995 Pawsat D12/118
D416,521 S * 11/1999 Giard D12/118
6,309,135 B1 * 10/2001 Thomson B62K 21/12
403/344
6,343,891 B1 * 2/2002 Combs B62K 21/12
403/385
D548,143 S * 8/2007 Chen D12/118
D668,587 S * 10/2012 Mason D12/114

D688,167 S * 8/2013 Klieber D12/118
8,850,923 B1 * 10/2014 Li B62K 21/125
74/551.8
D753,025 S * 4/2016 Chen D12/118
2003/0066376 A1 * 4/2003 Jiang B62K 21/12
74/551.1
2010/0186544 A1 * 7/2010 Tsai B62K 21/16
74/551.3
2011/0107872 A1 * 5/2011 Servet B62K 21/16
74/551.3
2012/0255391 A1 * 10/2012 Gueugneaud B62K 21/12
74/551.1
2012/0297922 A1 * 11/2012 Cote B62K 21/125
74/551.3
2014/0116195 A1 * 5/2014 Gu B62K 21/14
74/551.2

(Continued)

Primary Examiner — Michelle E. Wilson
Assistant Examiner — Clese Moore, Jr.
(74) *Attorney, Agent, or Firm* — Banner & Witcoff, Ltd.

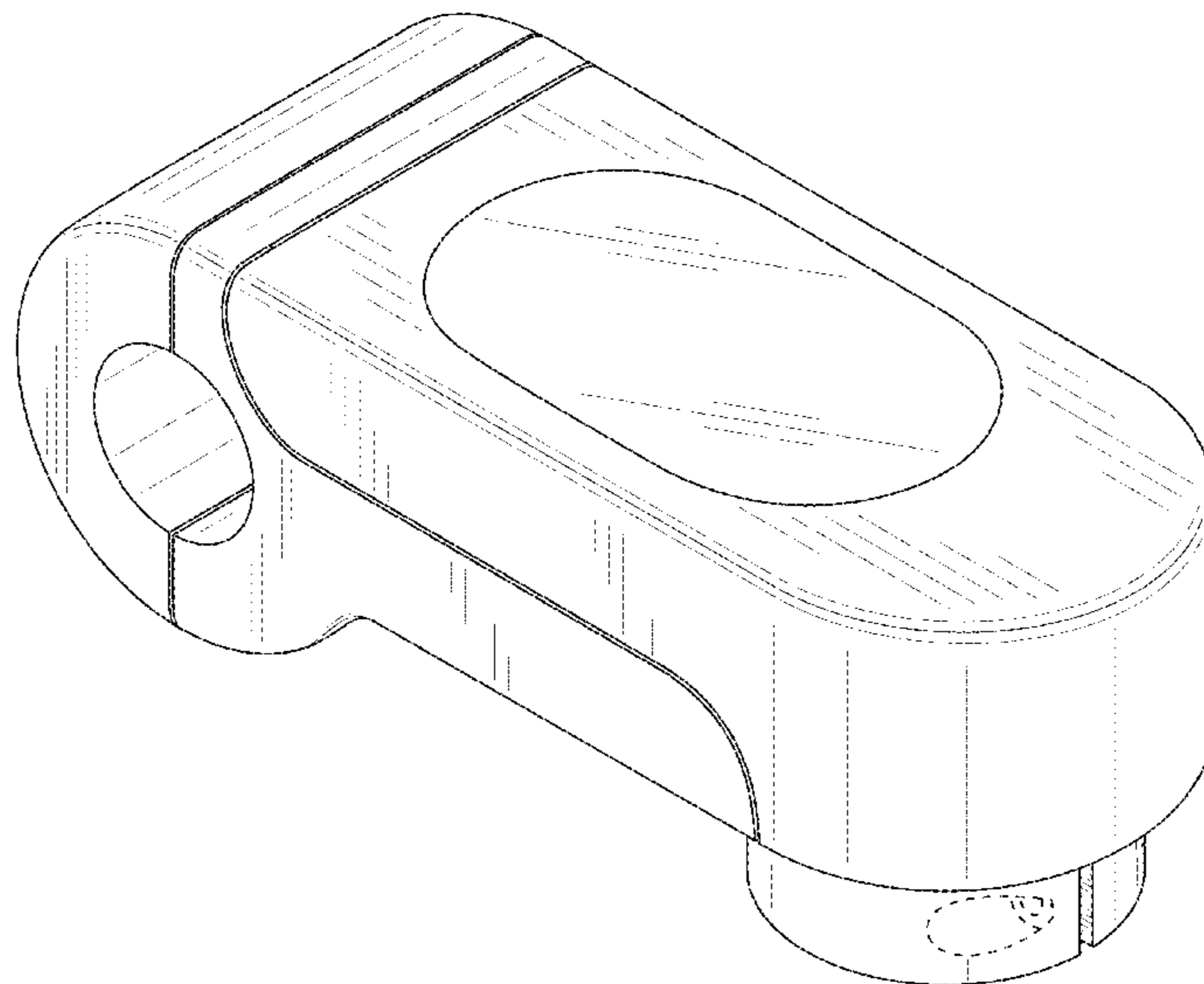
(57) **CLAIM**

The ornamental design for a handlebar stem for a bicycle, as shown and described.

DESCRIPTION

FIG. 1 is a front perspective view of a handlebar stem for a bicycle showing my new design;
FIG. 2 is a rear perspective view thereof;
FIG. 3 is a top view thereof;
FIG. 4 is a right side view thereof;
FIG. 5 is a left side view thereof;
FIG. 6 is a rear view thereof;
FIG. 7 is a front view thereof; and,
FIG. 8 is a bottom view thereof.
The broken line showing of the various unshaded regions of the handlebar stem for a bicycle illustrates environmental structure and forms no part of the claimed design.

1 Claim, 8 Drawing Sheets



(56)

References Cited

U.S. PATENT DOCUMENTS

2015/0225035 A1* 8/2015 Li B62K 21/12
74/551.8

* cited by examiner

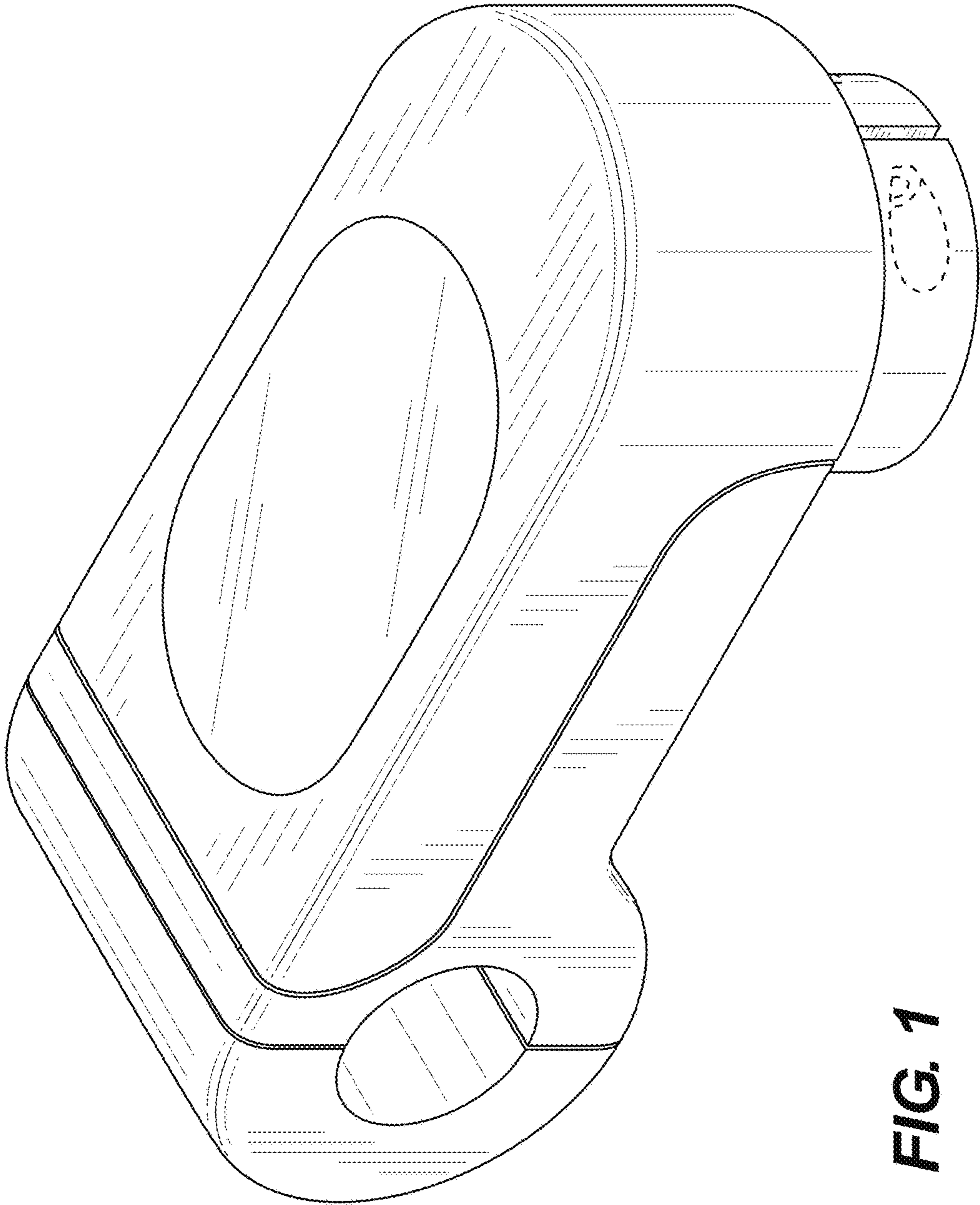


FIG. 1

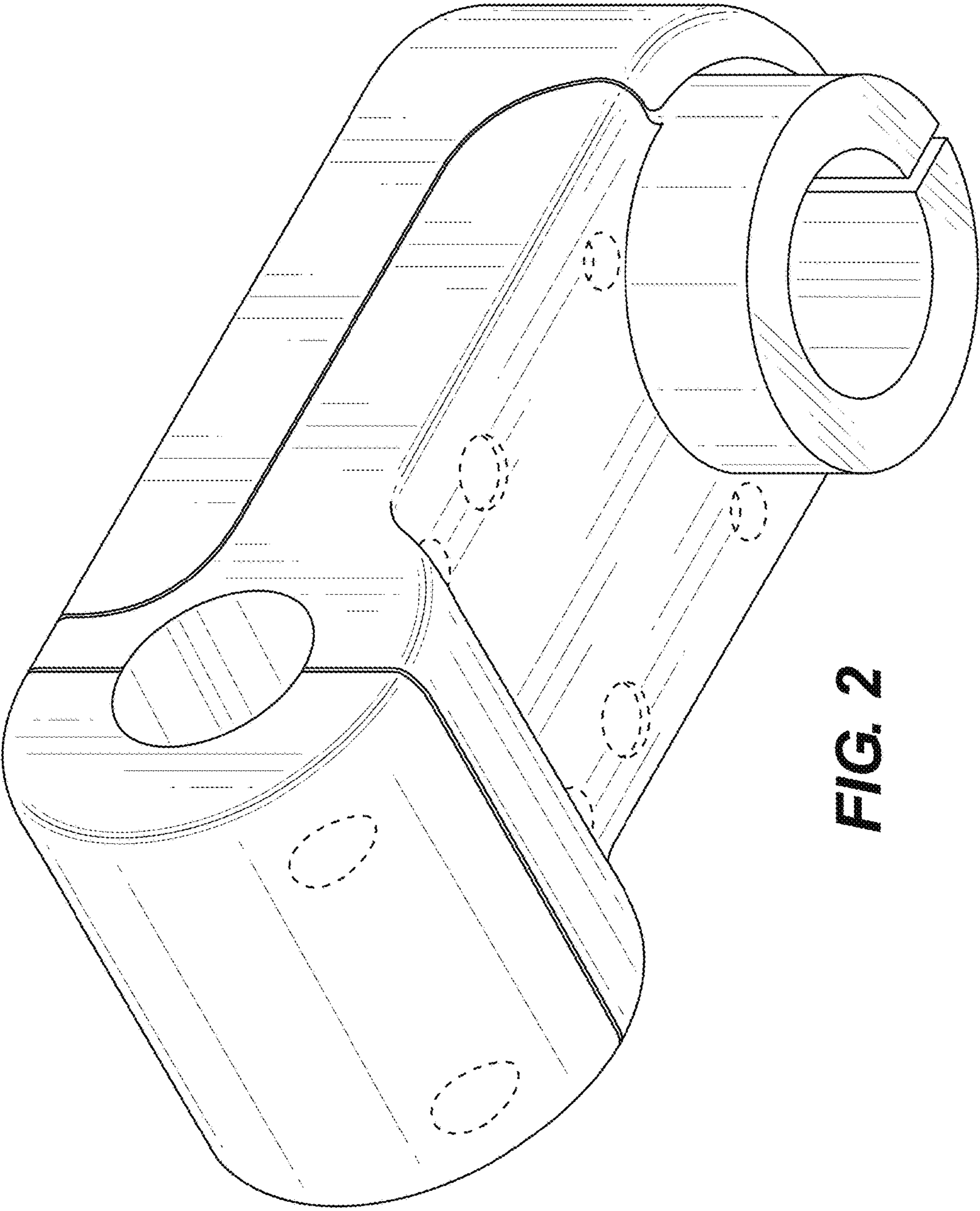


FIG. 2

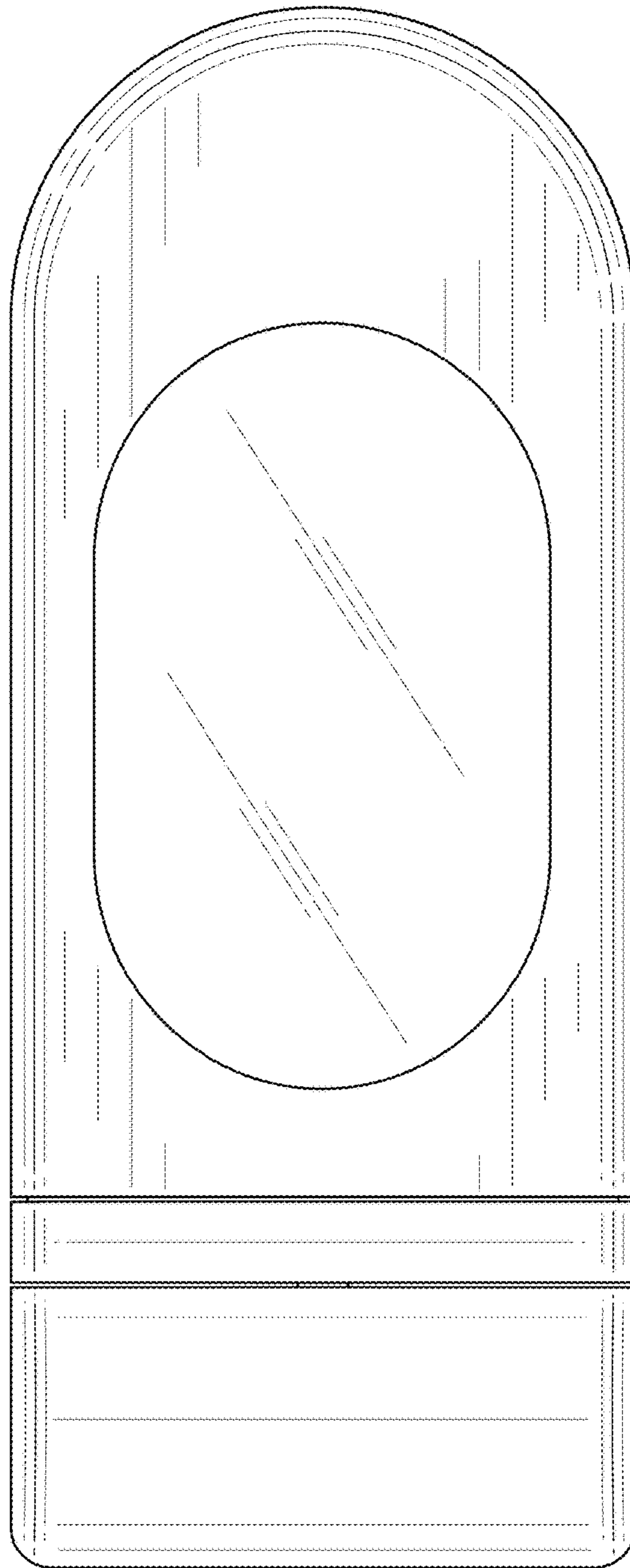


FIG. 3

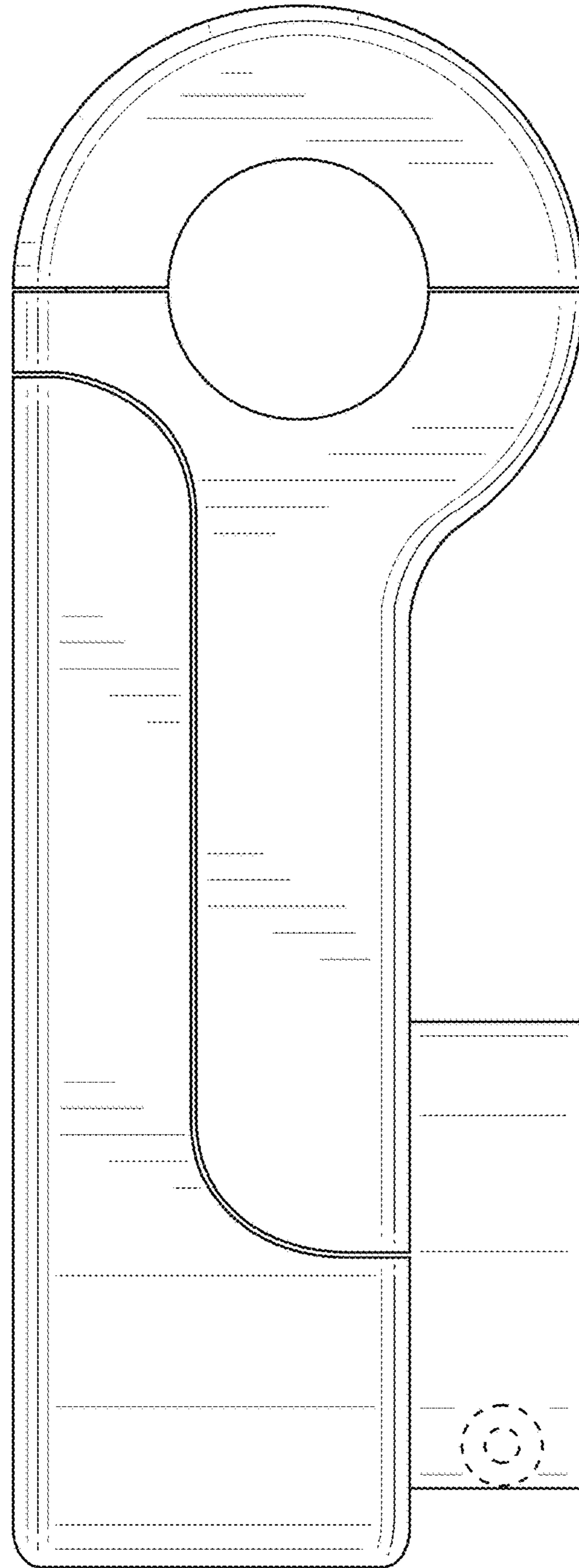


FIG. 4

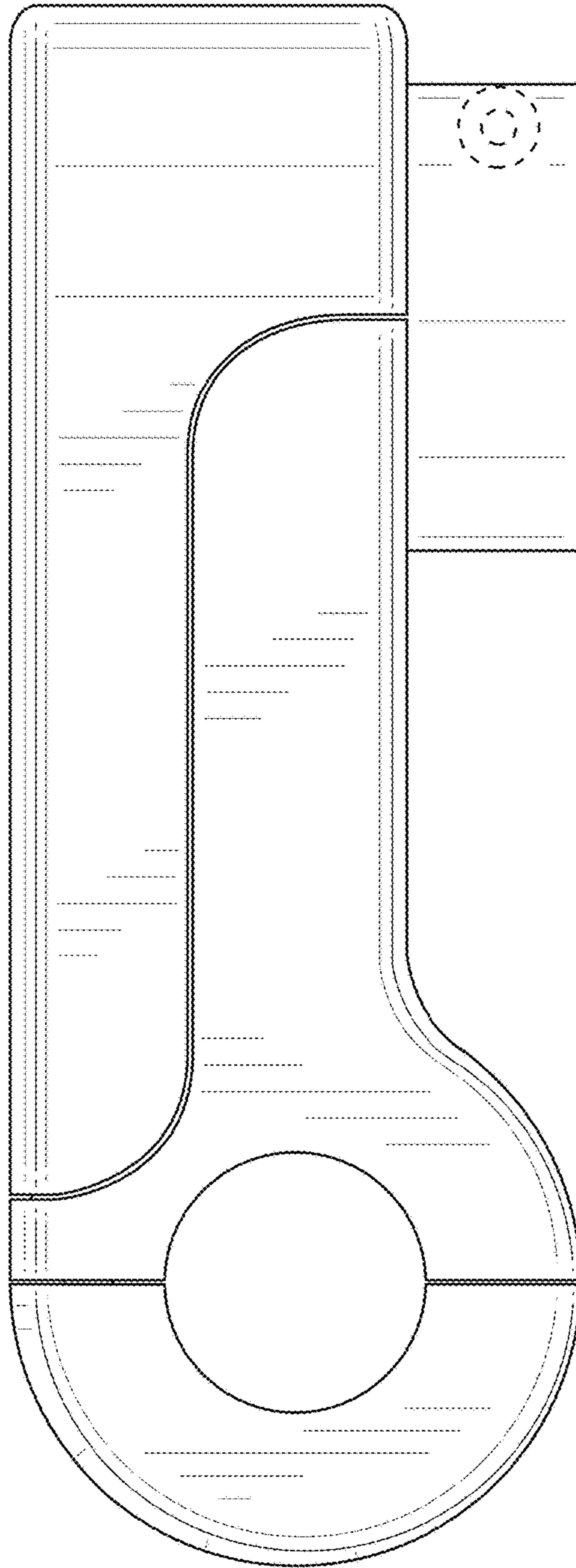


FIG. 5

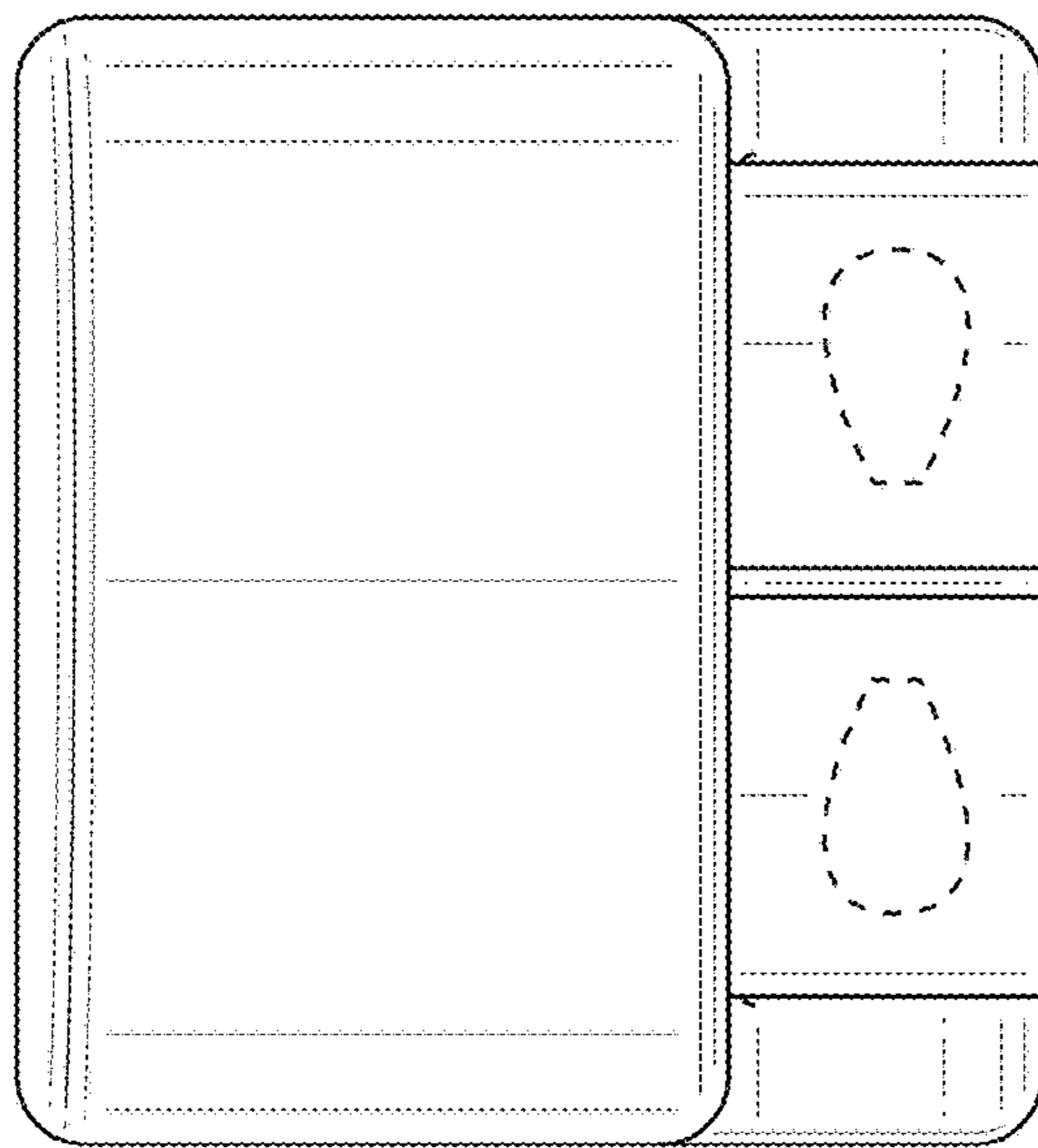


FIG. 6

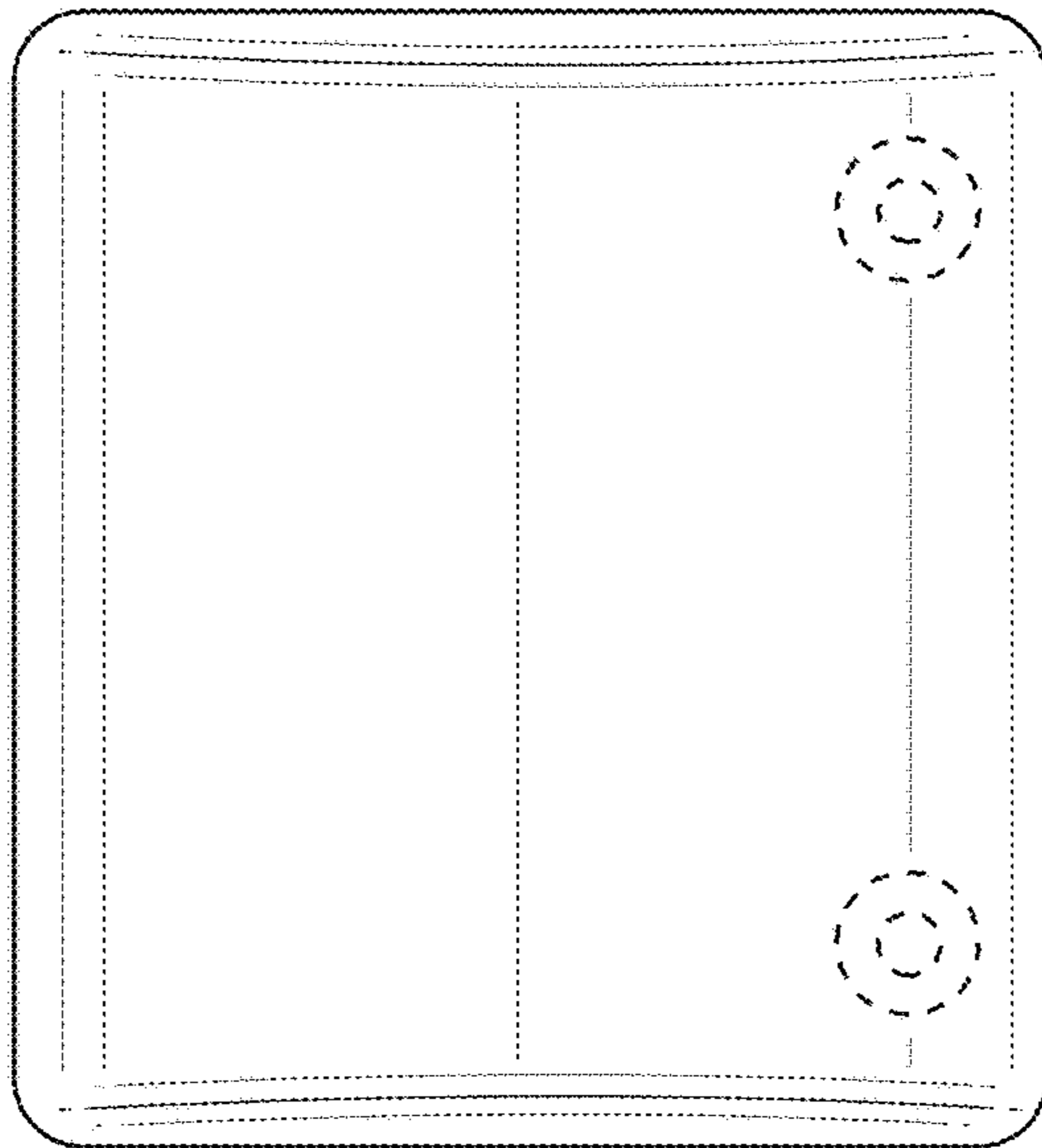


FIG. 7

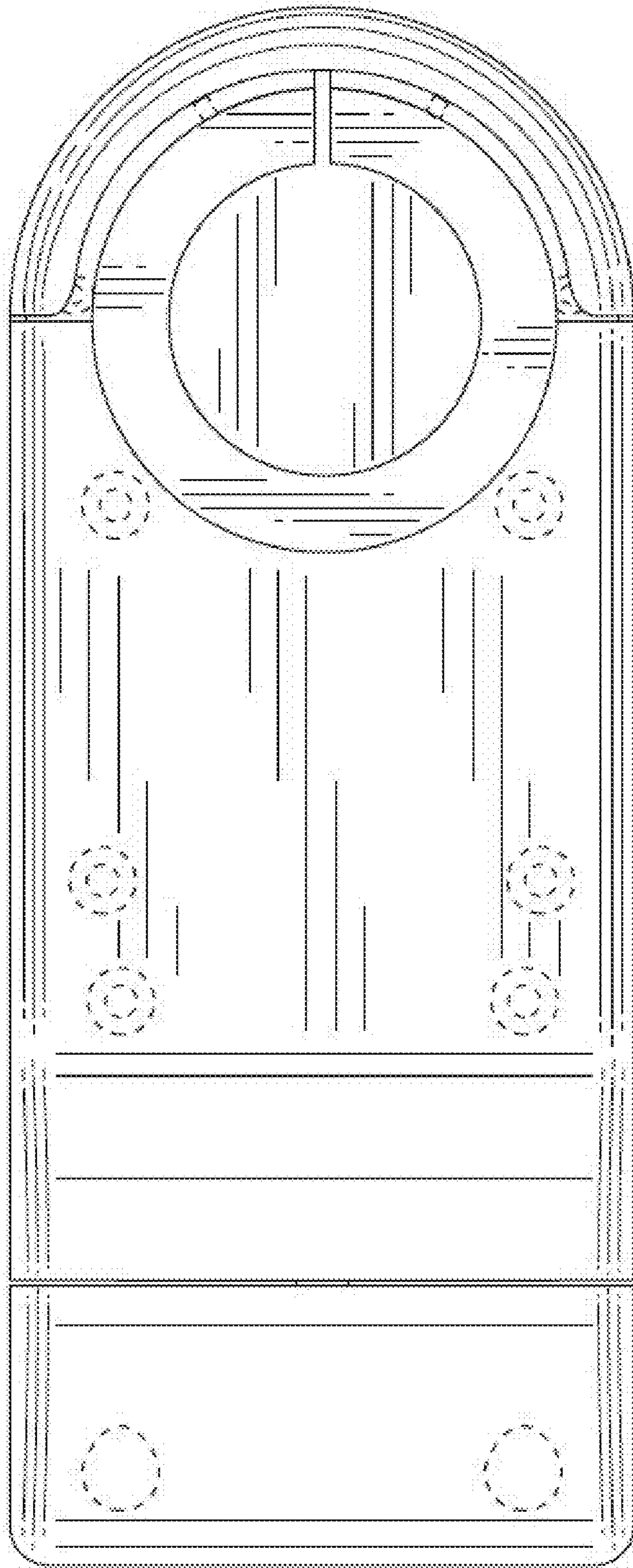


FIG. 8