

US00D867221S

(12) **United States Design Patent**  
**Tamura**

(10) **Patent No.:** **US D867,221 S**

(45) **Date of Patent:** **\*\* Nov. 19, 2019**

(54) **MOTORCYCLE**

(71) Applicant: **YAMAHA HATSUDOKI**  
**KABUSHIKI KAISHA**, Shizuoka-ken  
(JP)

(72) Inventor: **Jun Tamura**, Amsterdam (NL)

(73) Assignee: **YAMAHA HATSUDOKI**  
**KABUSHIKI KAISHA** (JP)

(\*\*) Term: **15 Years**

(21) Appl. No.: **29/643,955**

(22) Filed: **Apr. 13, 2018**

(30) **Foreign Application Priority Data**

Oct. 13, 2017 (JP) ..... 2017-022626

(51) **LOC (12) Cl.** ..... **12-11**

(52) **U.S. Cl.**  
USPC ..... **D12/110**

(58) **Field of Classification Search**  
USPC ..... D12/110, 111, 117; D21/432, 538  
CPC ..... B62K 11/00; B62K 11/02; B62K 11/04;  
B62K 11/10; B62K 17/00; B62K 19/00;  
B62K 2202/00

See application file for complete search history.

(56) **References Cited**

**U.S. PATENT DOCUMENTS**

D519,884 S \* 5/2006 Heinrich ..... D12/110  
D566,010 S \* 4/2008 Hohdorf ..... D12/110  
D582,316 S \* 12/2008 Stenegard ..... D12/110  
D591,205 S \* 4/2009 Heinrich ..... D12/110  
D597,449 S \* 8/2009 Nagao ..... D12/110

D601,458 S \* 10/2009 Nagao ..... D12/110  
D605,089 S \* 12/2009 Tanaka ..... D12/110  
D636,708 S \* 4/2011 Katagiri ..... D12/110  
D638,756 S \* 5/2011 Kouchi ..... D12/110  
D651,138 S \* 12/2011 Lai ..... D12/110  
D652,769 S \* 1/2012 Kudo ..... D12/110  
D669,821 S \* 10/2012 Nishihara ..... D12/110  
D688,983 S \* 9/2013 Shibuta ..... D12/110  
D689,406 S \* 9/2013 Yasuhara ..... D12/110  
D695,153 S \* 12/2013 Buckan ..... D12/110  
D695,154 S \* 12/2013 Buckan ..... D12/110  
8,827,024 B1 \* 9/2014 Sumi ..... B62K 25/02  
180/227  
D723,429 S \* 3/2015 Hohdorf ..... D12/110  
D735,085 S \* 7/2015 Buckan ..... D12/110  
D736,677 S \* 8/2015 Iimura ..... D12/110  
D805,439 S \* 12/2017 Hohdorf ..... D12/110  
2012/0318598 A1 \* 12/2012 Fujiyama ..... B60K 5/12  
180/219  
2015/0101875 A1 \* 4/2015 Inayama ..... B60K 13/02  
180/225

\* cited by examiner

*Primary Examiner* — Darlington Ly

(74) *Attorney, Agent, or Firm* — Ostrolenk Faber LLP

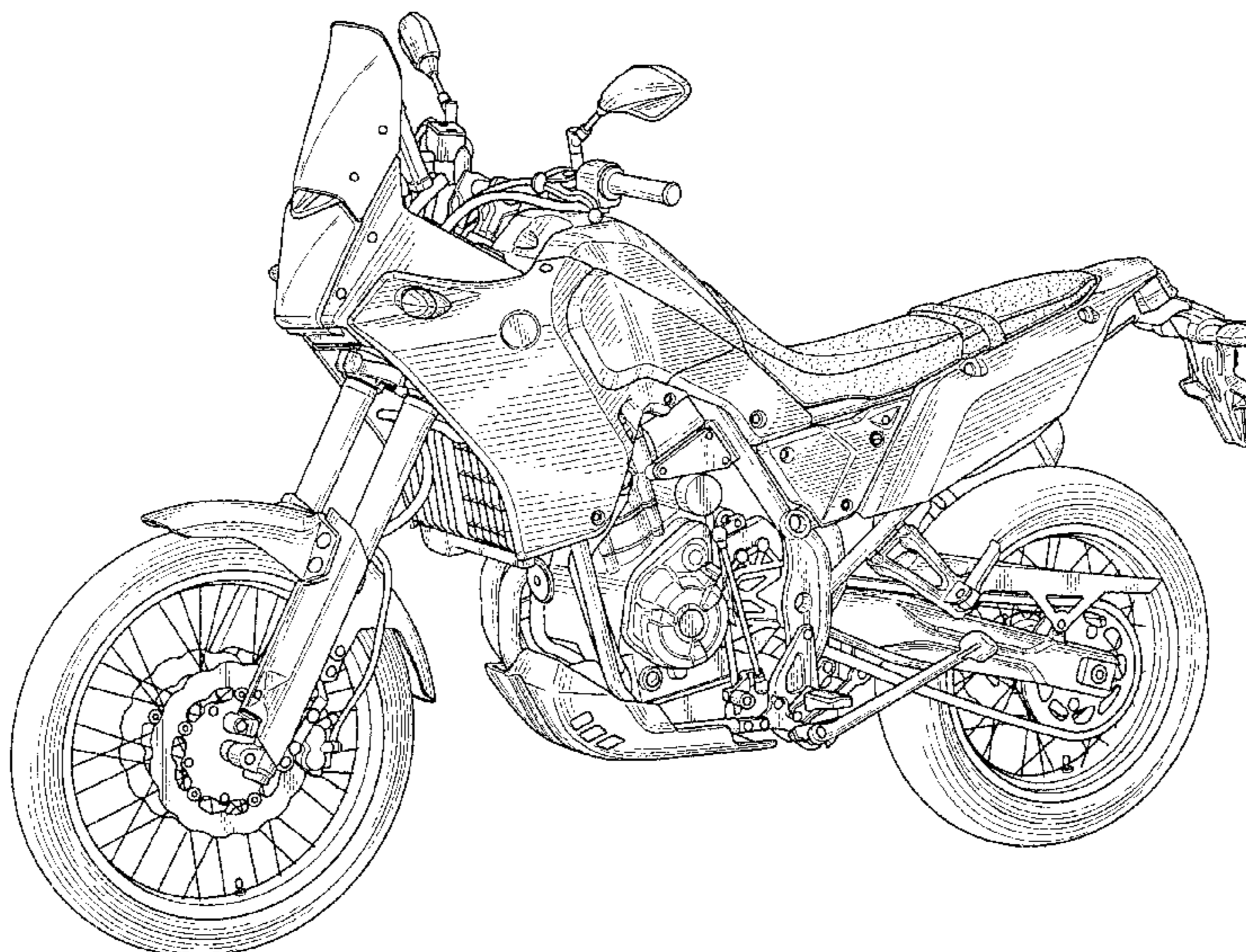
(57) **CLAIM**

The ornamental design for a motorcycle, as shown.

**DESCRIPTION**

FIG. 1 is a front and left side perspective view of a motorcycle showing my new design;  
FIG. 2 is a rear and right side perspective view thereof;  
FIG. 3 is a front elevation view thereof;  
FIG. 4 is a rear elevation view thereof;  
FIG. 5 is a right side elevation view thereof;  
FIG. 6 is a left side elevation view thereof; and,  
FIG. 7 is a top plan view thereof.

**1 Claim, 7 Drawing Sheets**



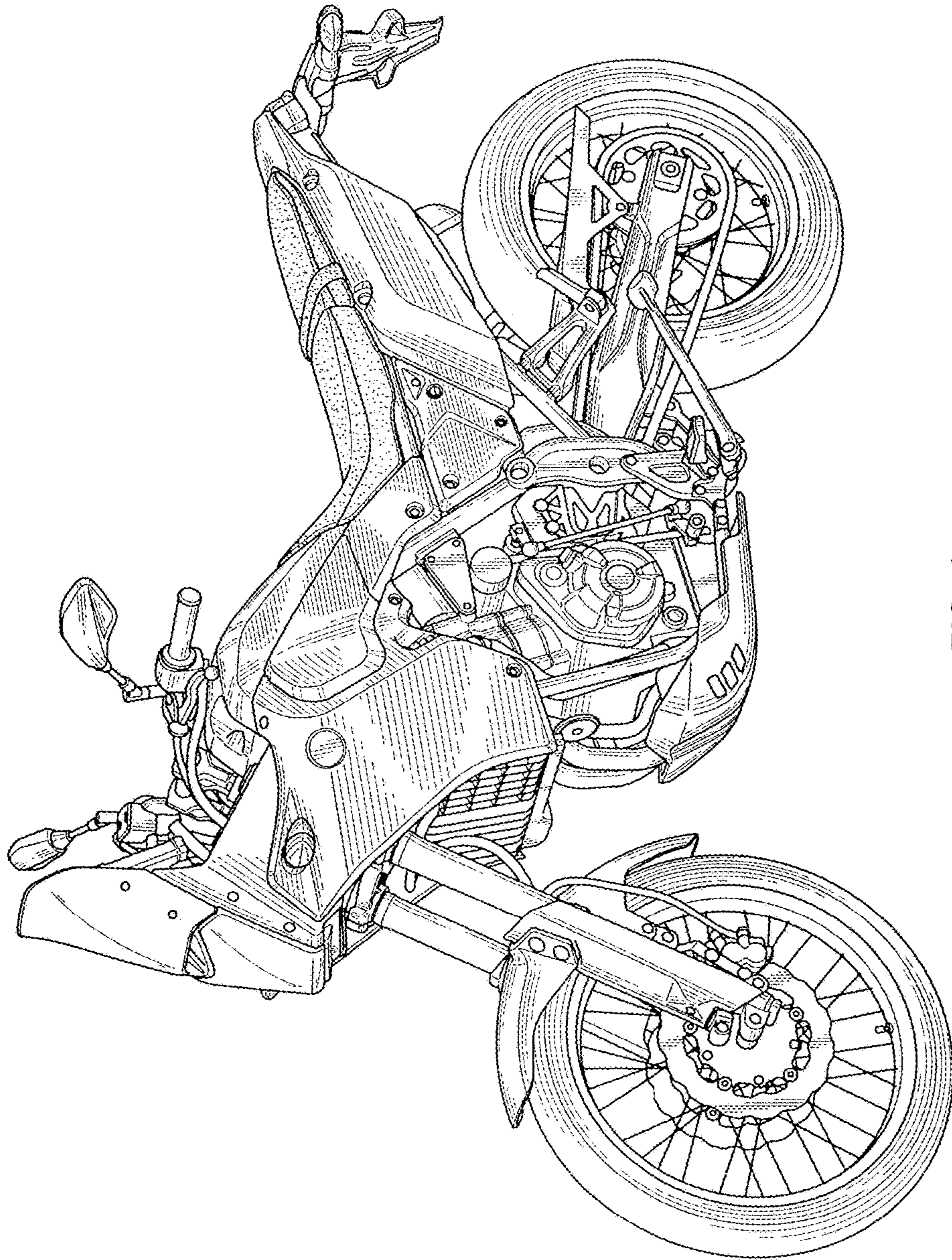


FIG. 1

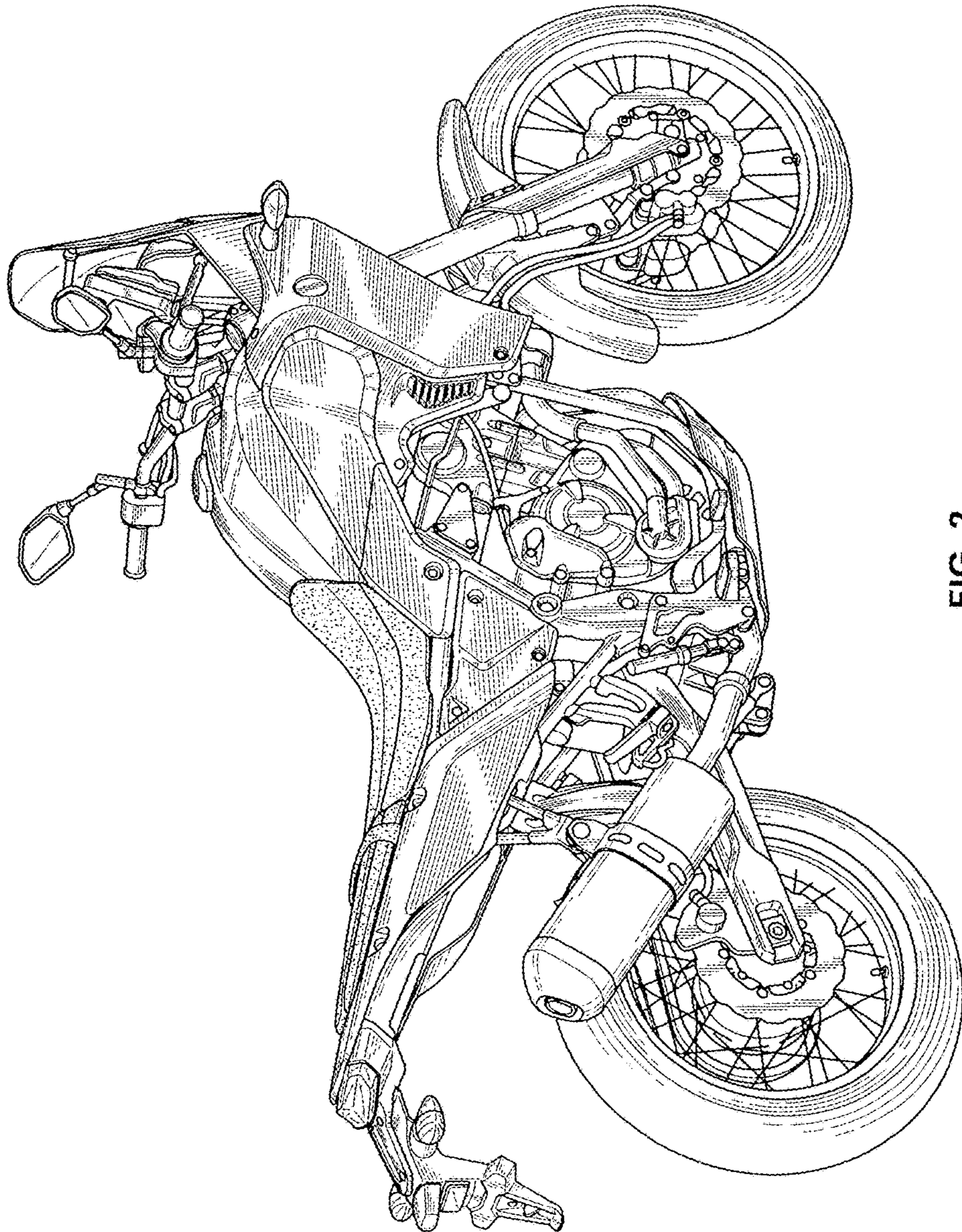


FIG. 2

FIG. 3

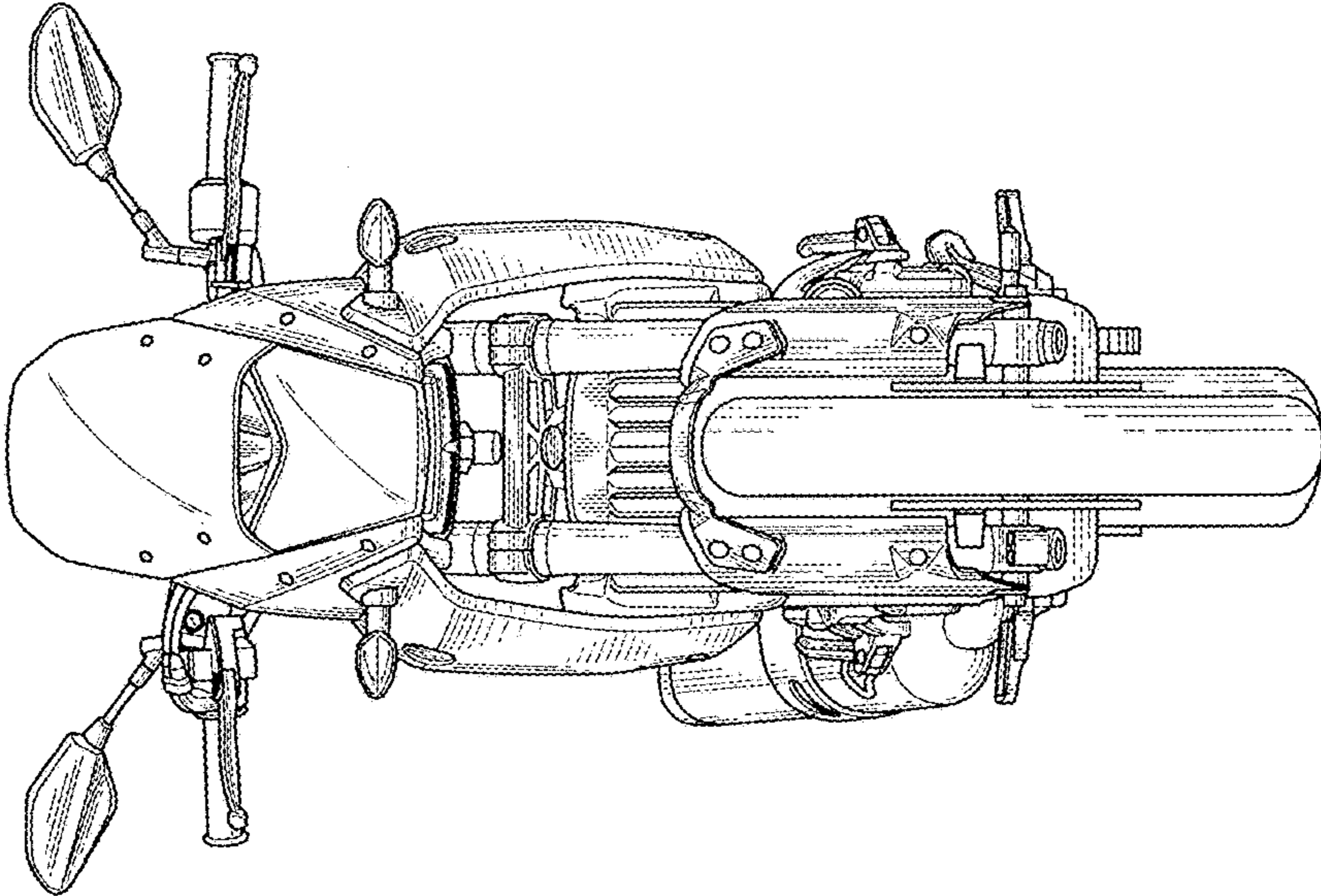
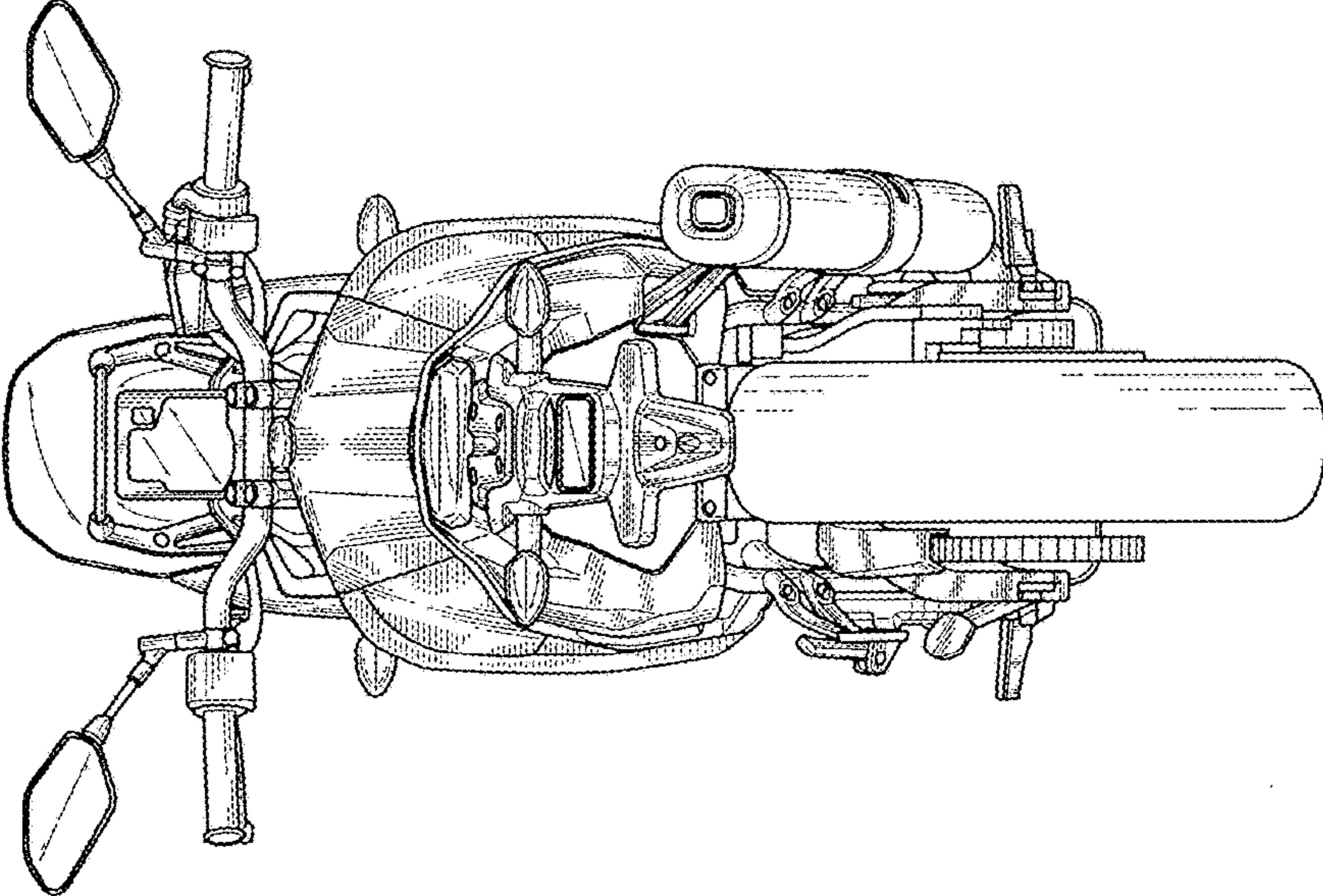


FIG. 4



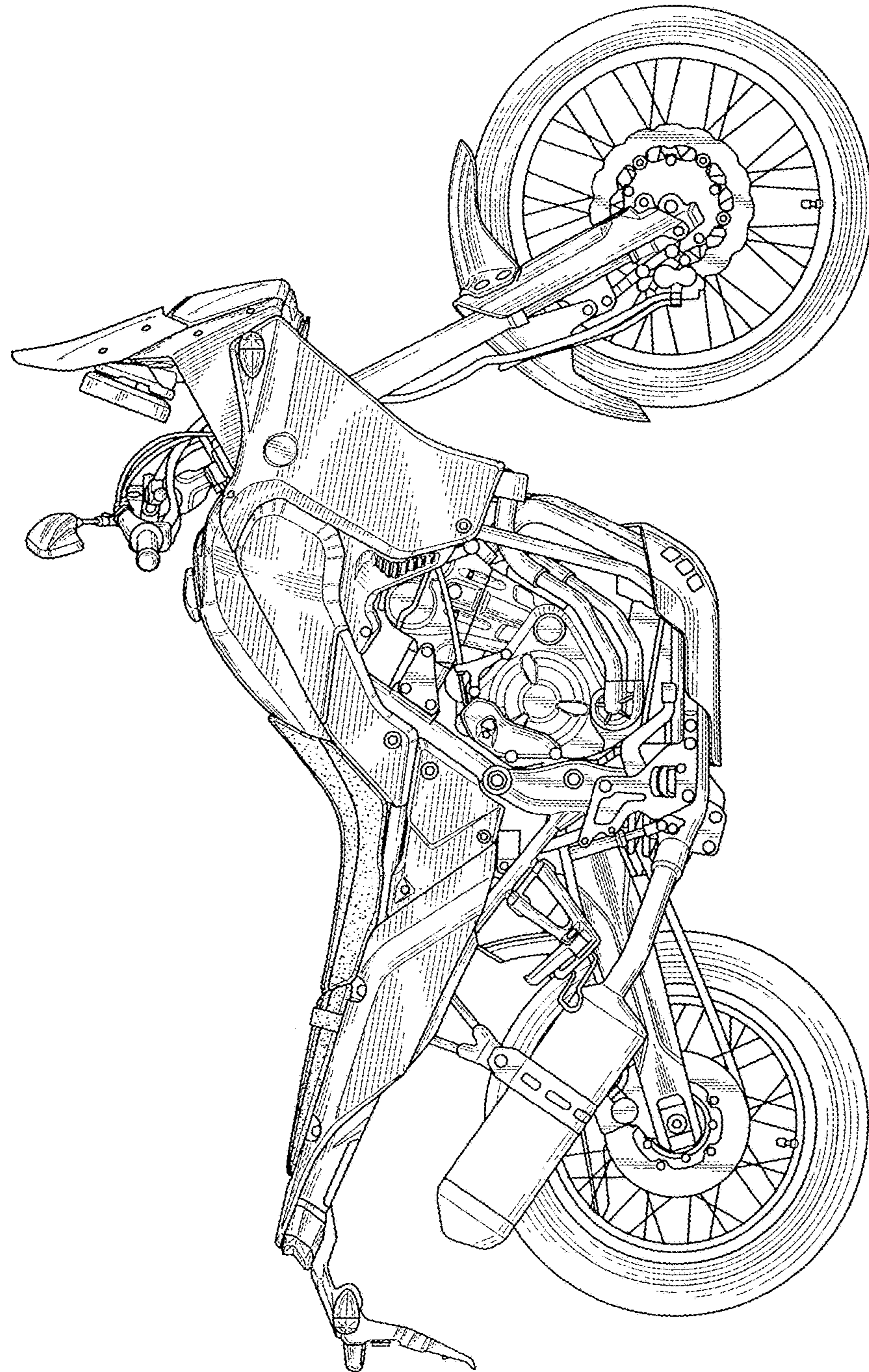


FIG. 5

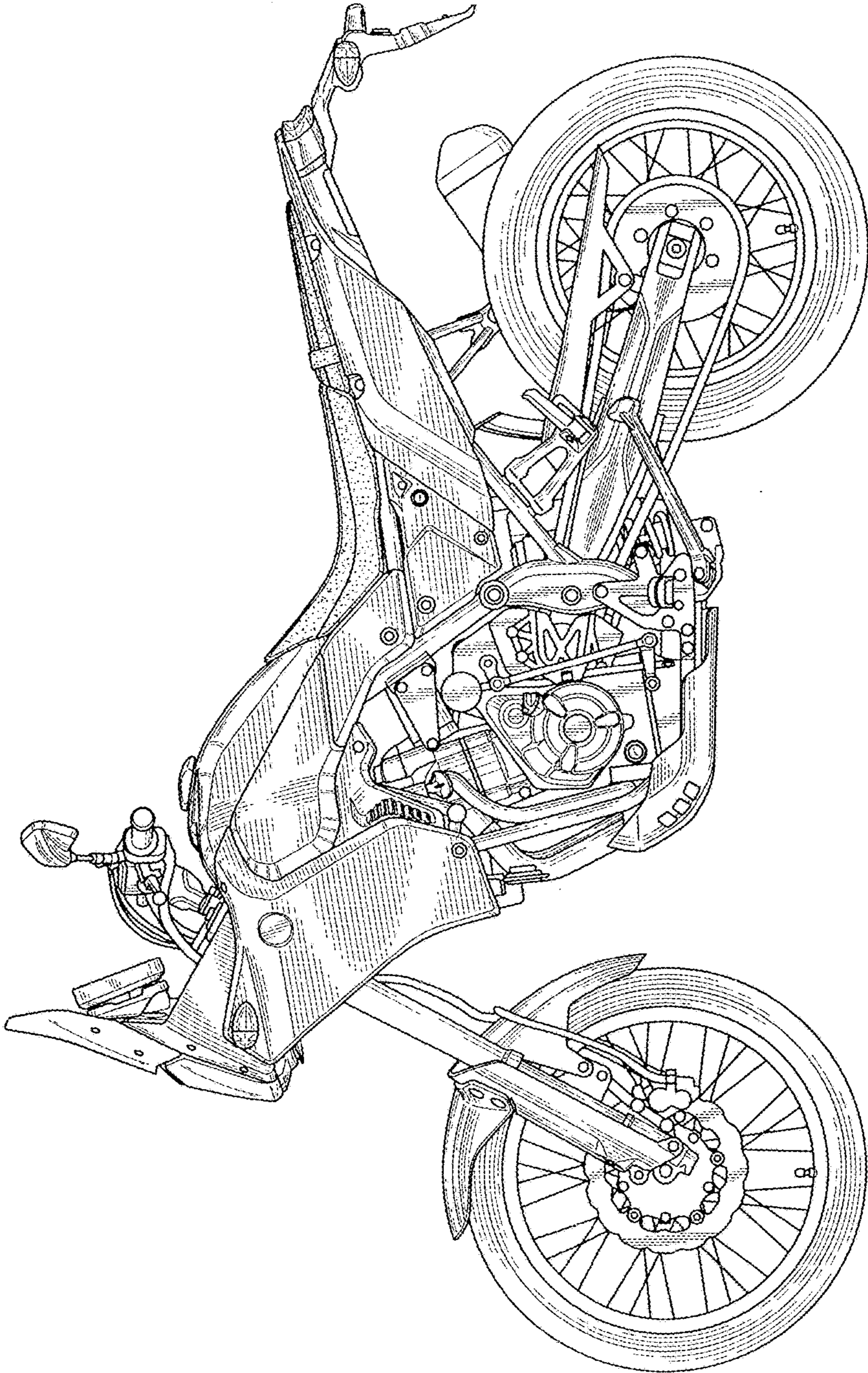


FIG. 6

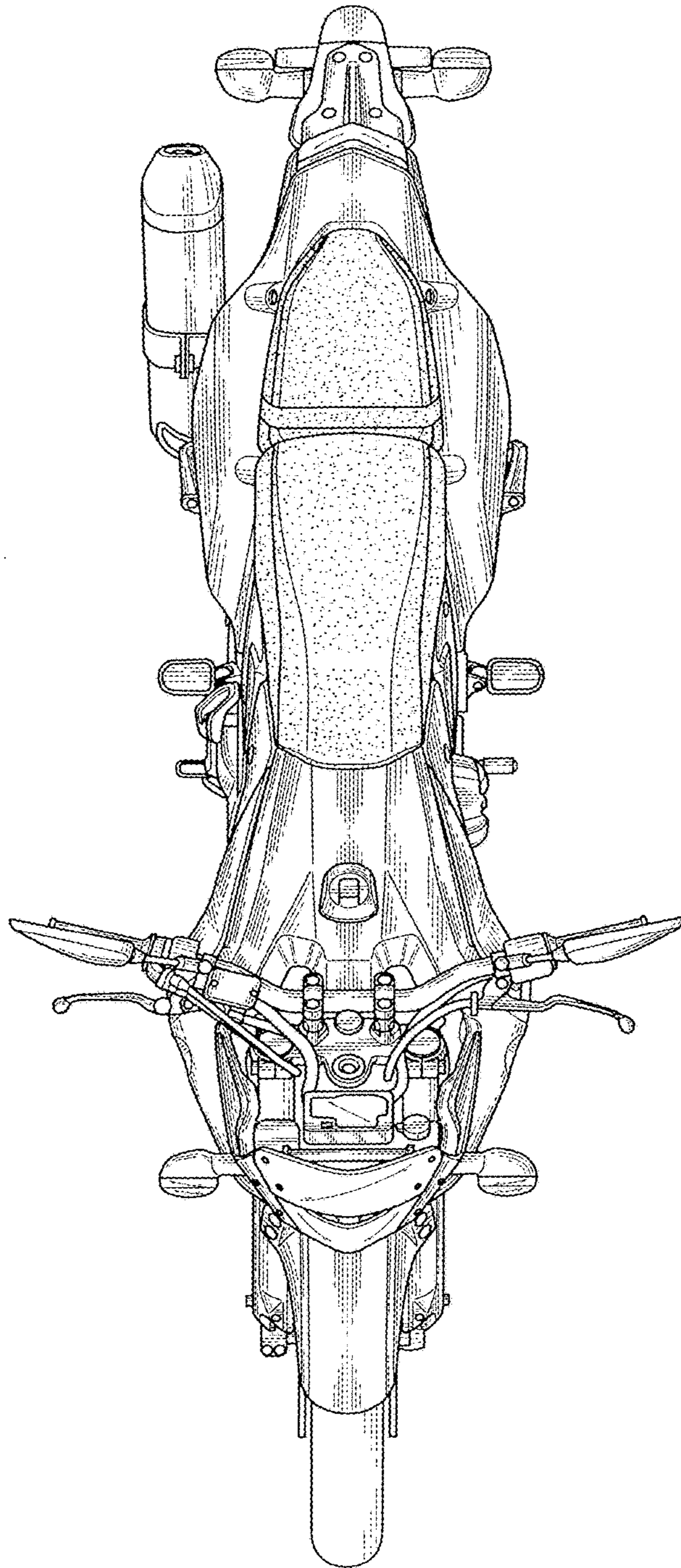


FIG. 7