



US00D867217S

(12) **United States Design Patent**
Arter et al.

(10) **Patent No.:** **US D867,217 S**

(45) **Date of Patent:** **** Nov. 19, 2019**

(54) **TRAILER**

(71) Applicant: **Veinticuatro, LLC**, Baton Rouge, LA
(US)

(72) Inventors: **Steven R. Arter**, Baton Rouge, LA
(US); **John C. Saris, Jr.**, Hatley, WI
(US)

(73) Assignee: **Veinticuatro, LLC**, Baton Rouge, LA
(US)

(**) Term: **15 Years**

(21) Appl. No.: **29/642,348**

(22) Filed: **Mar. 29, 2018**

Related U.S. Application Data

(63) Continuation-in-part of application No. 29/616,986,
filed on Sep. 11, 2017.

(51) **LOC (12) Cl.** **12-10**

(52) **U.S. Cl.**
USPC **D12/102**

(58) **Field of Classification Search**
USPC D12/19, 129, 100–106, 111, 112;
D21/425, 435; D34/21–26, 12, 16–19
CPC B62D 35/00; B62D 33/077; B60P 3/10;
B60P 3/1033; B60P 3/0257; B60P 3/38;
B60P 3/34; E01F 15/14
See application file for complete search history.

(56) **References Cited**

U.S. PATENT DOCUMENTS

D443,561 S *	6/2001	Voogt	D12/102
D486,759 S *	2/2004	Armstrong	D12/102
D495,276 S *	8/2004	Armstrong	D12/102
D501,430 S *	2/2005	Cox, II	D12/102
D544,815 S *	6/2007	Williams	D12/101
D546,245 S *	7/2007	Heard	D12/102
D566,624 S *	4/2008	Dempsey	D12/105

D577,315 S *	9/2008	Parker	D12/102
D626,461 S *	11/2010	Barrios	D12/101
D737,725 S *	9/2015	Bell	D12/102
D759,546 S *	6/2016	Van Wyk	D12/102

(Continued)

Primary Examiner — Katrina A Betton

(74) *Attorney, Agent, or Firm* — McGlinchey Stafford; R.
Andrew Patty, II

(57) **CLAIM**

The ornamental design for a trailer, as shown and described.

DESCRIPTION

FIG. 1 is a front perspective view of a trailer in accordance with the present invention;

FIG. 2 is an elevated rear perspective view of the trailer in FIG. 1;

FIG. 3 is a front view thereof;

FIG. 4 is a rear view thereof;

FIG. 5 is a left side view thereof;

FIG. 6 is a right side view thereof;

FIG. 7 is a top view thereof;

FIG. 8 is a bottom view thereof;

FIG. 9 is an elevated rear right perspective view thereof showing the trailer with the doors shown in the open position;

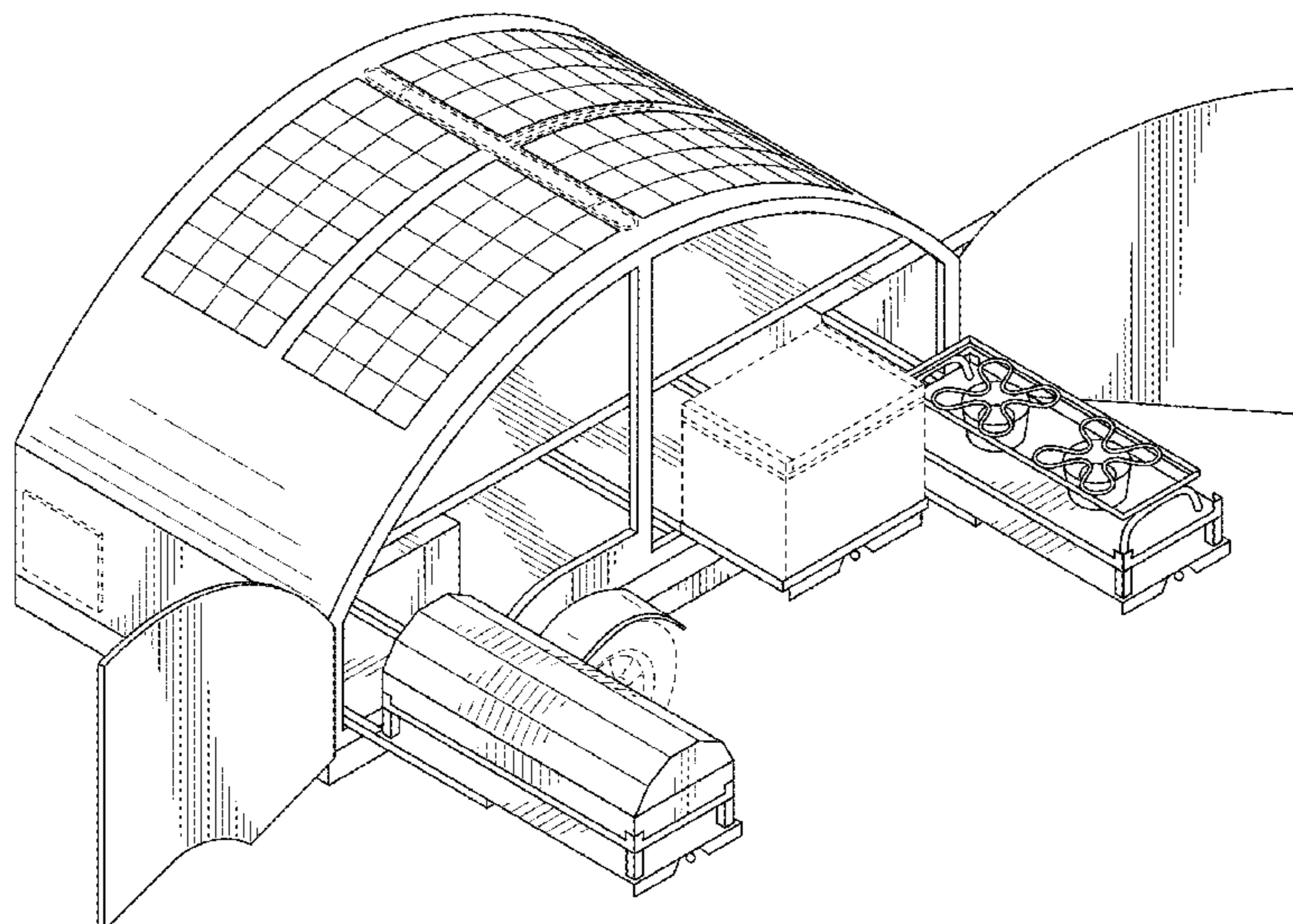
FIG. 10 is an elevated rear right perspective view thereof showing the trailer with the doors shown in the open position;

FIG. 11 is an elevated rear left perspective view thereof showing the trailer with the doors shown in the open position; and,

FIG. 12 an elevated rear left perspective view thereof showing the trailer with the doors shown in the open position.

The features shown in broken lines in the various Figures represent unclaimed subject matter and form no part of the claimed design.

1 Claim, 12 Drawing Sheets



(56)

References Cited

U.S. PATENT DOCUMENTS

D817,940 S * 5/2018 Baker D14/242
D836,037 S * 12/2018 Tran D12/102

* cited by examiner

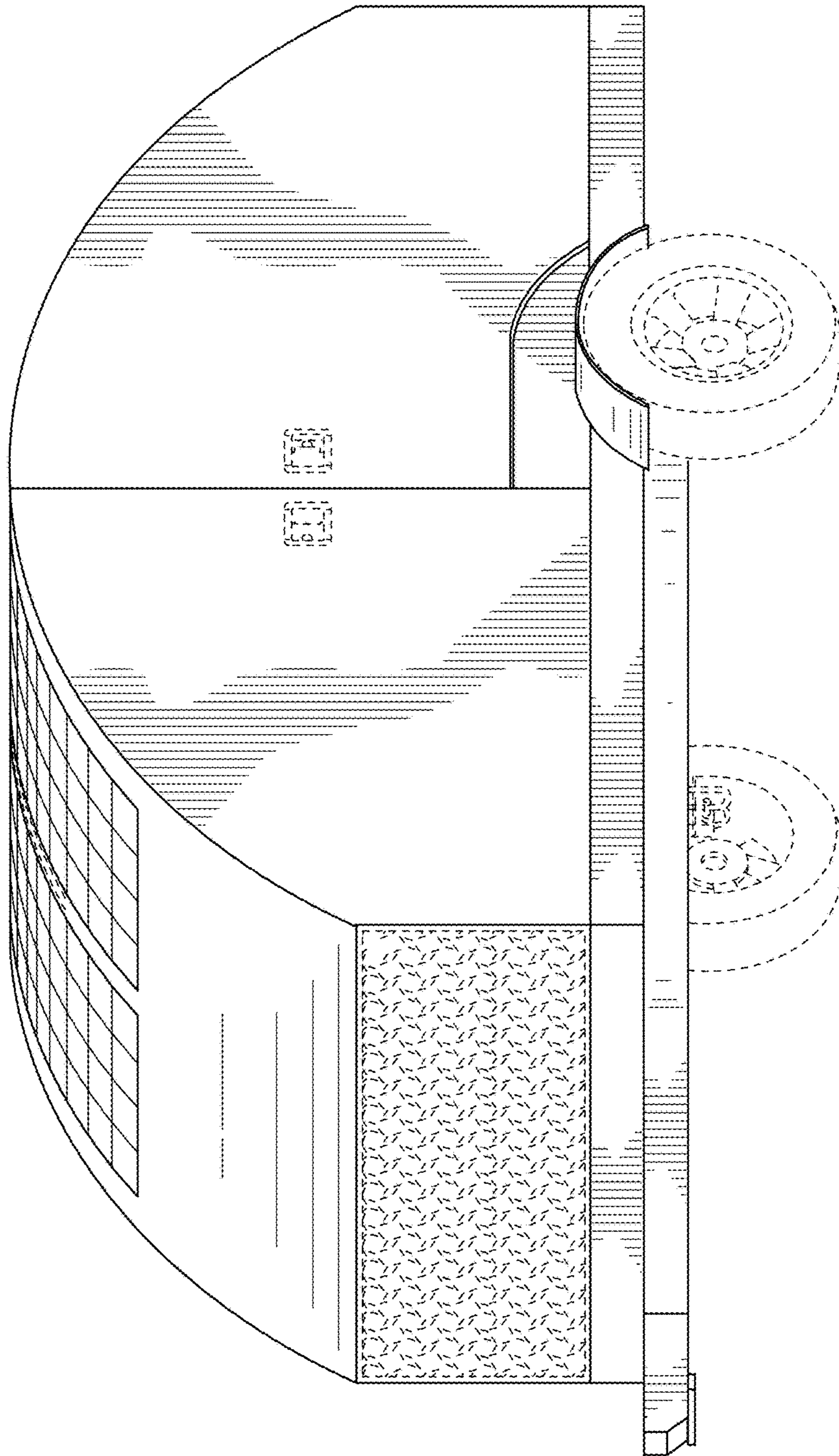
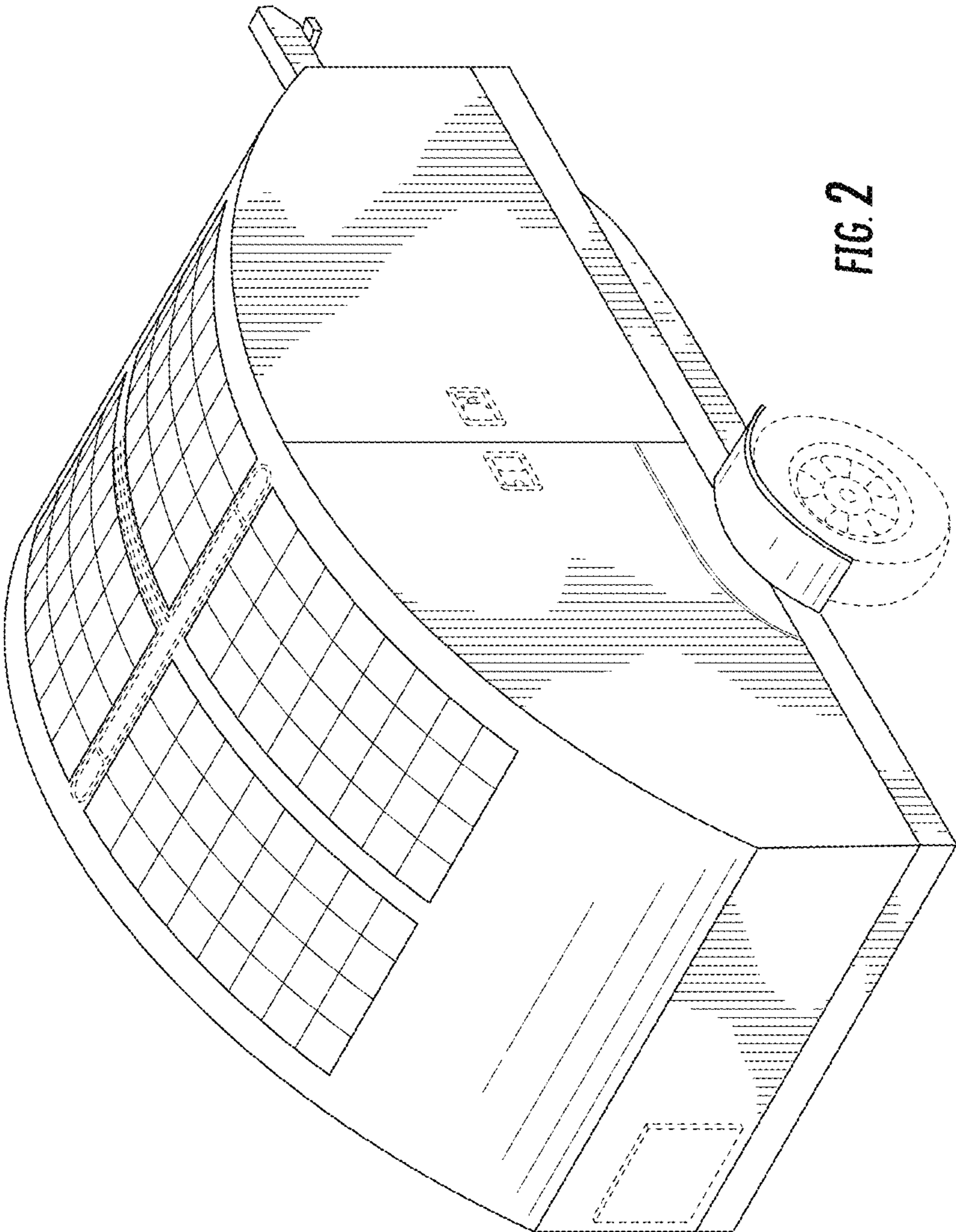


FIG. 1



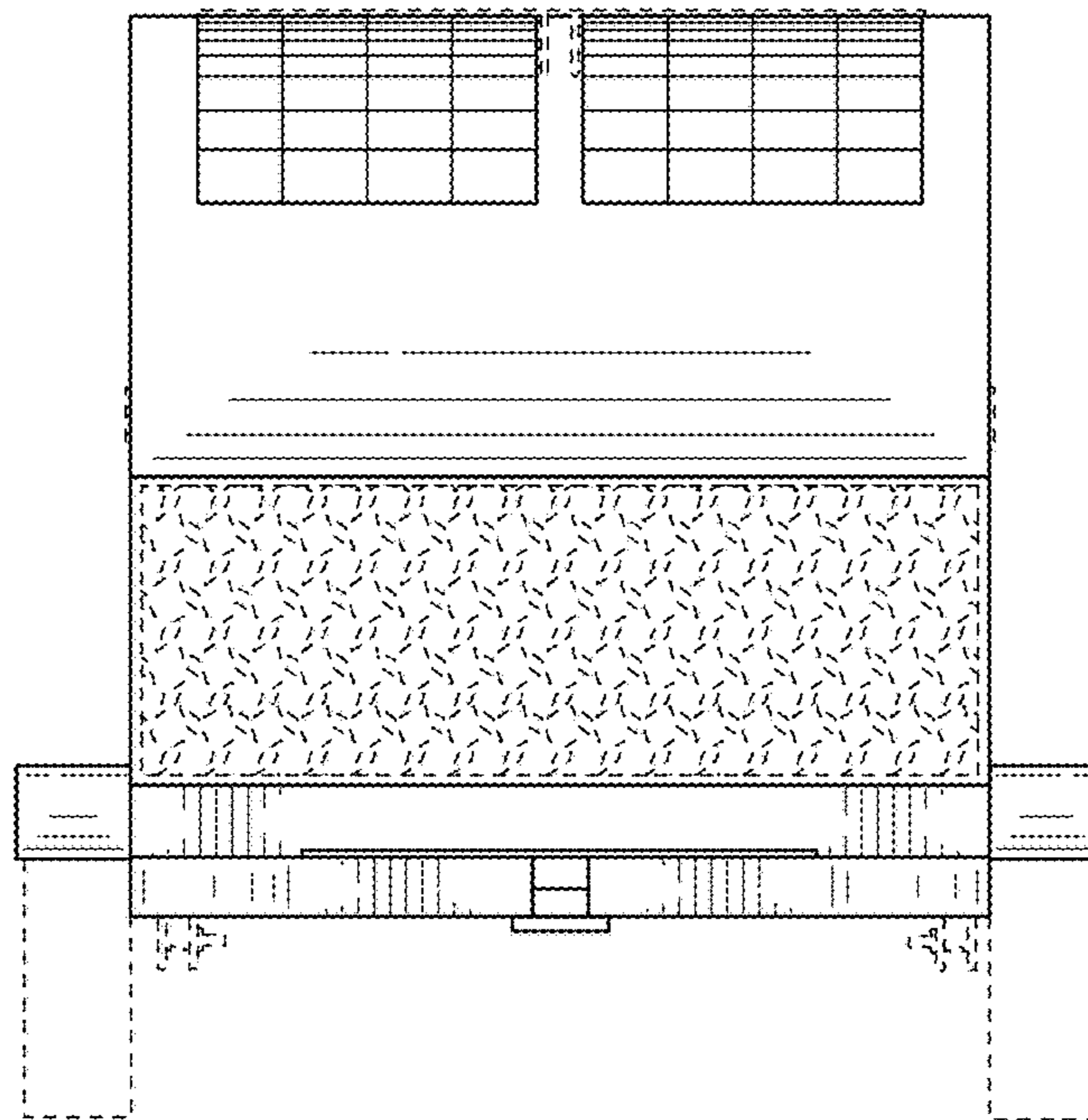


FIG. 3

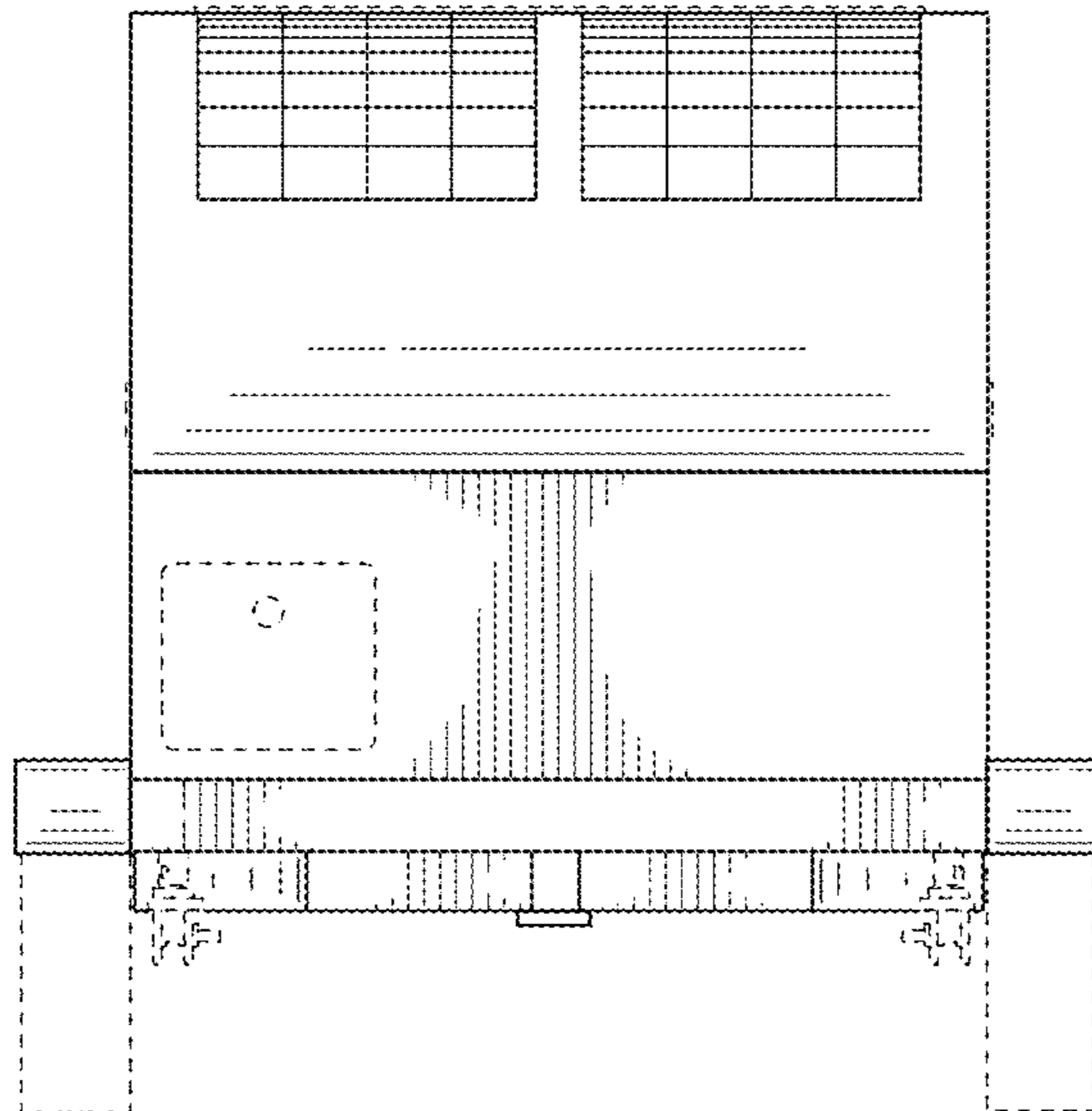


FIG. 4

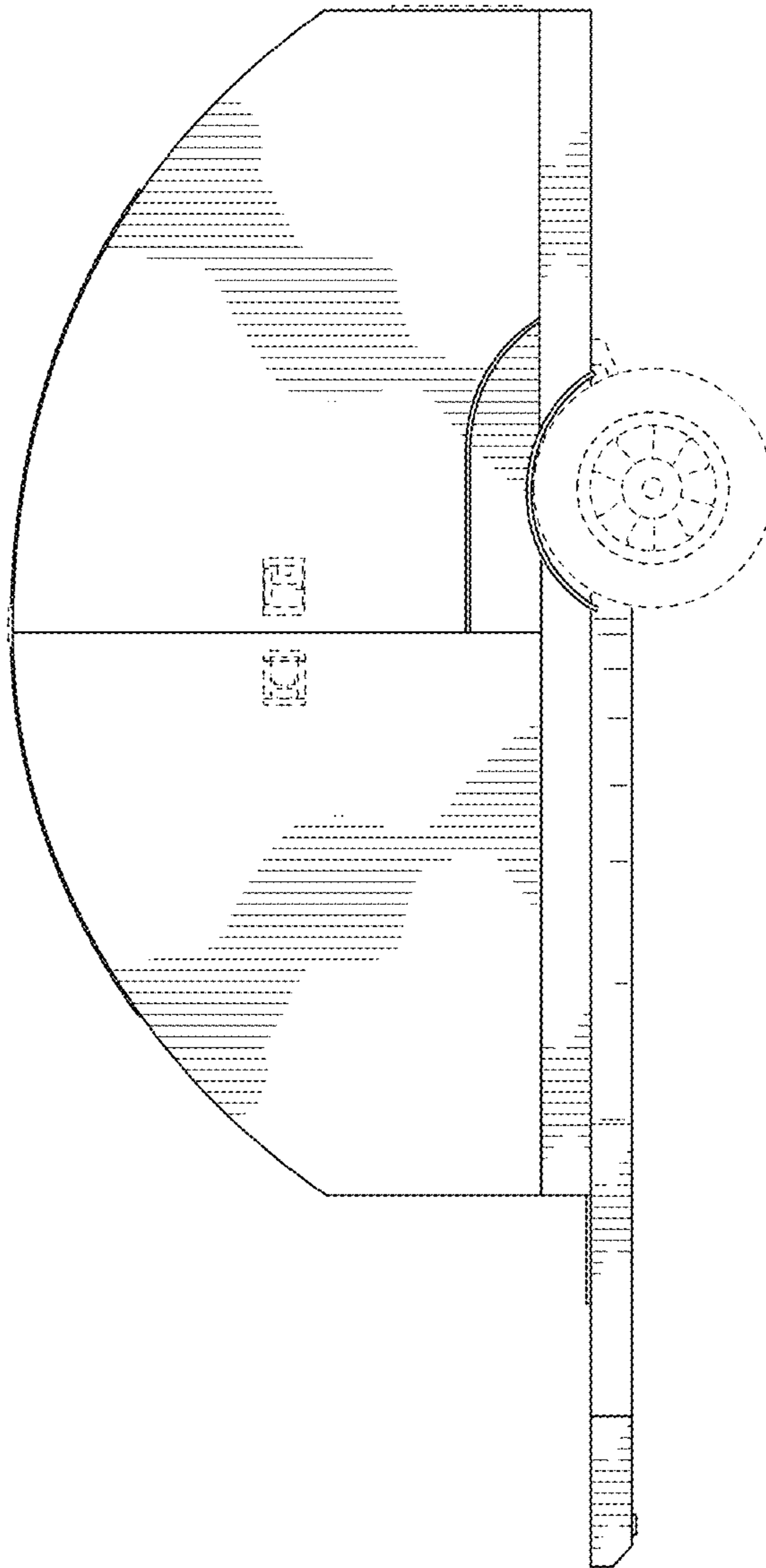
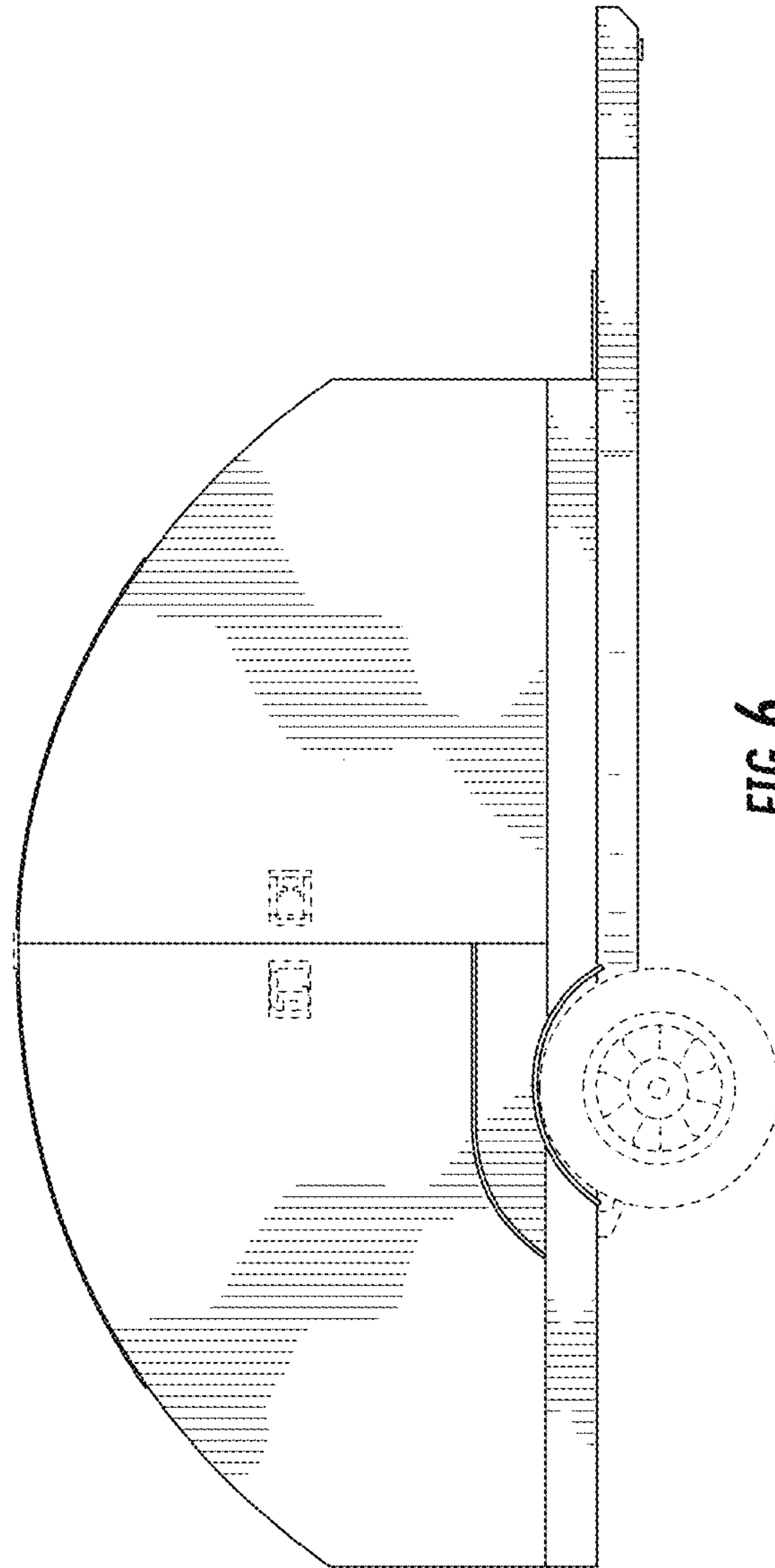


FIG. 5



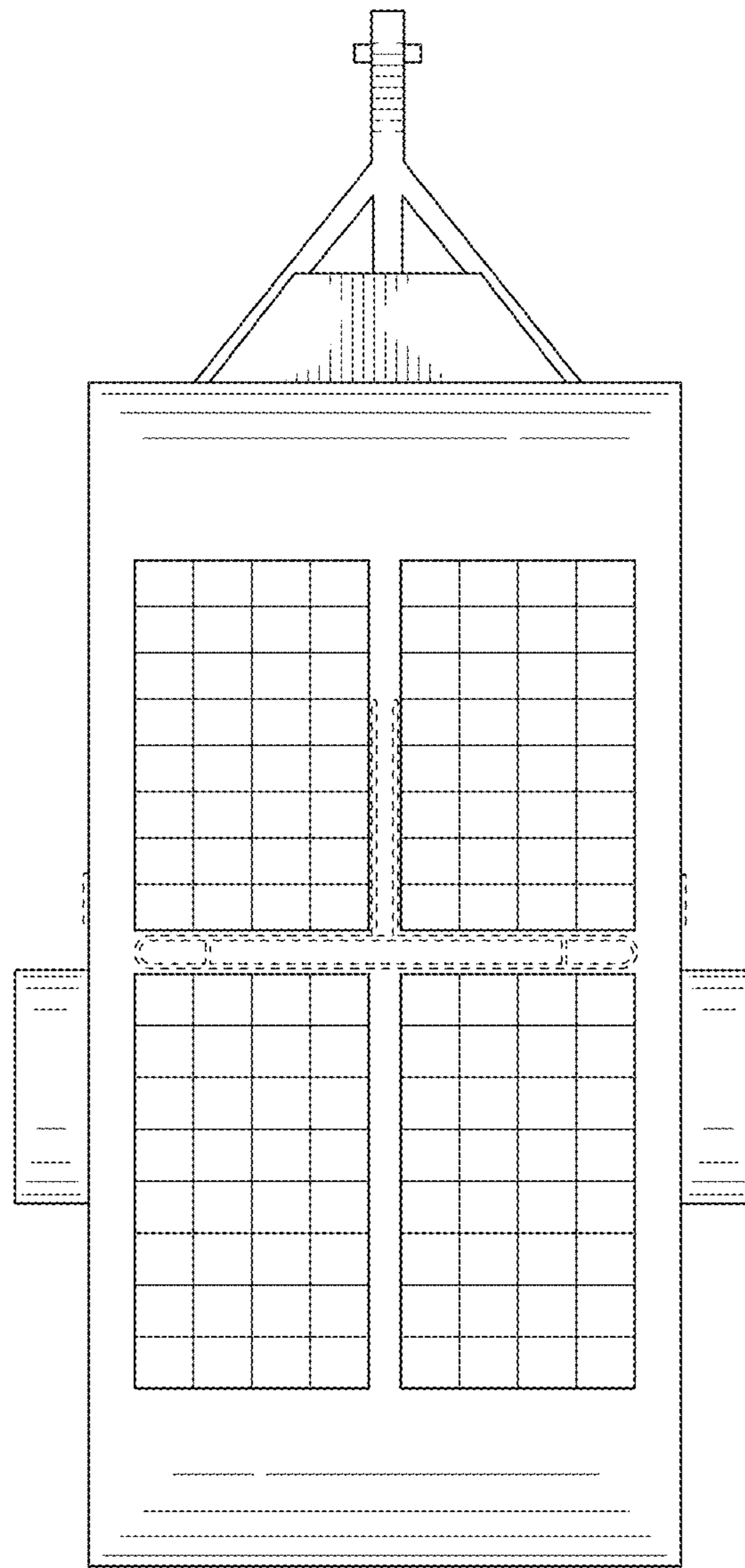


FIG. 7

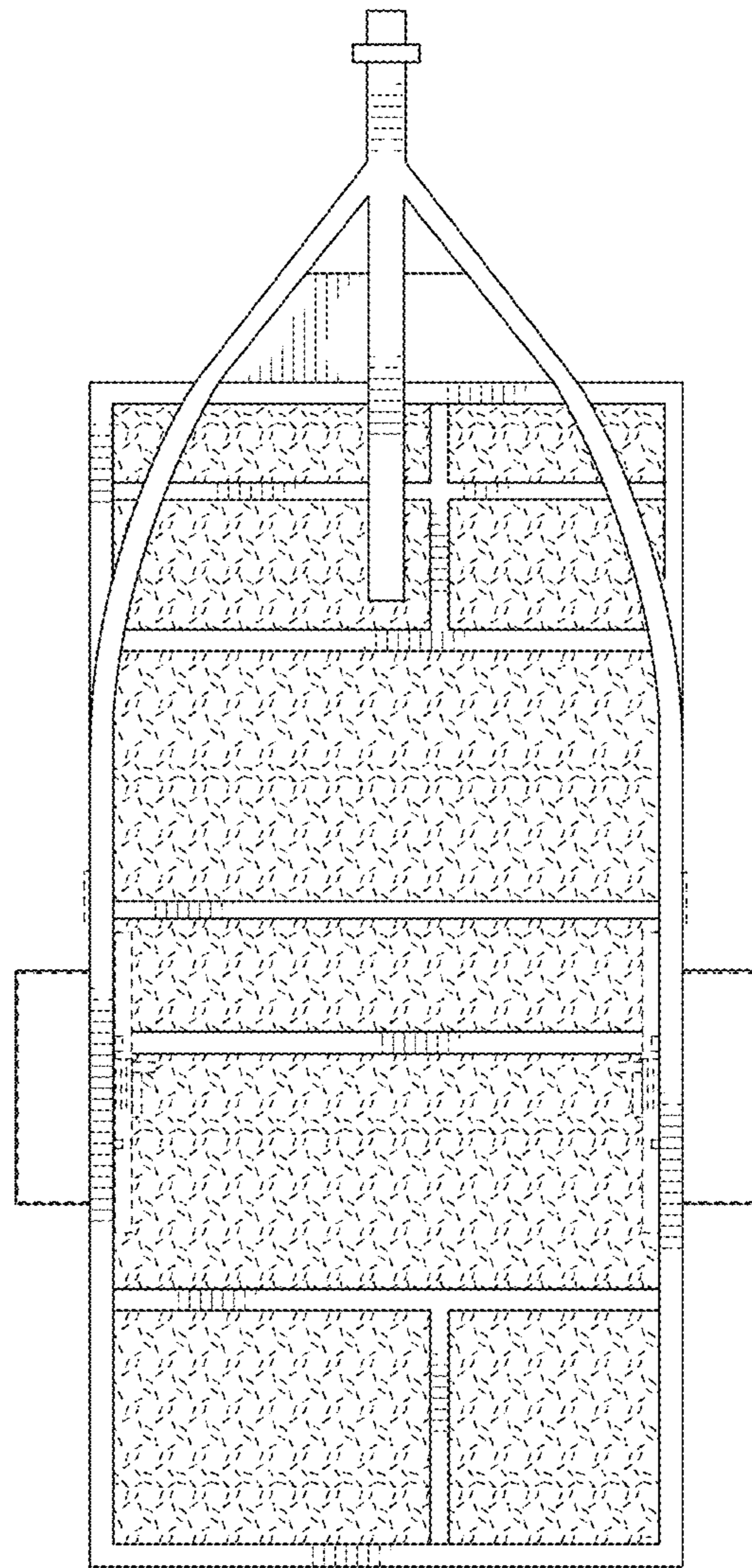


FIG. 8

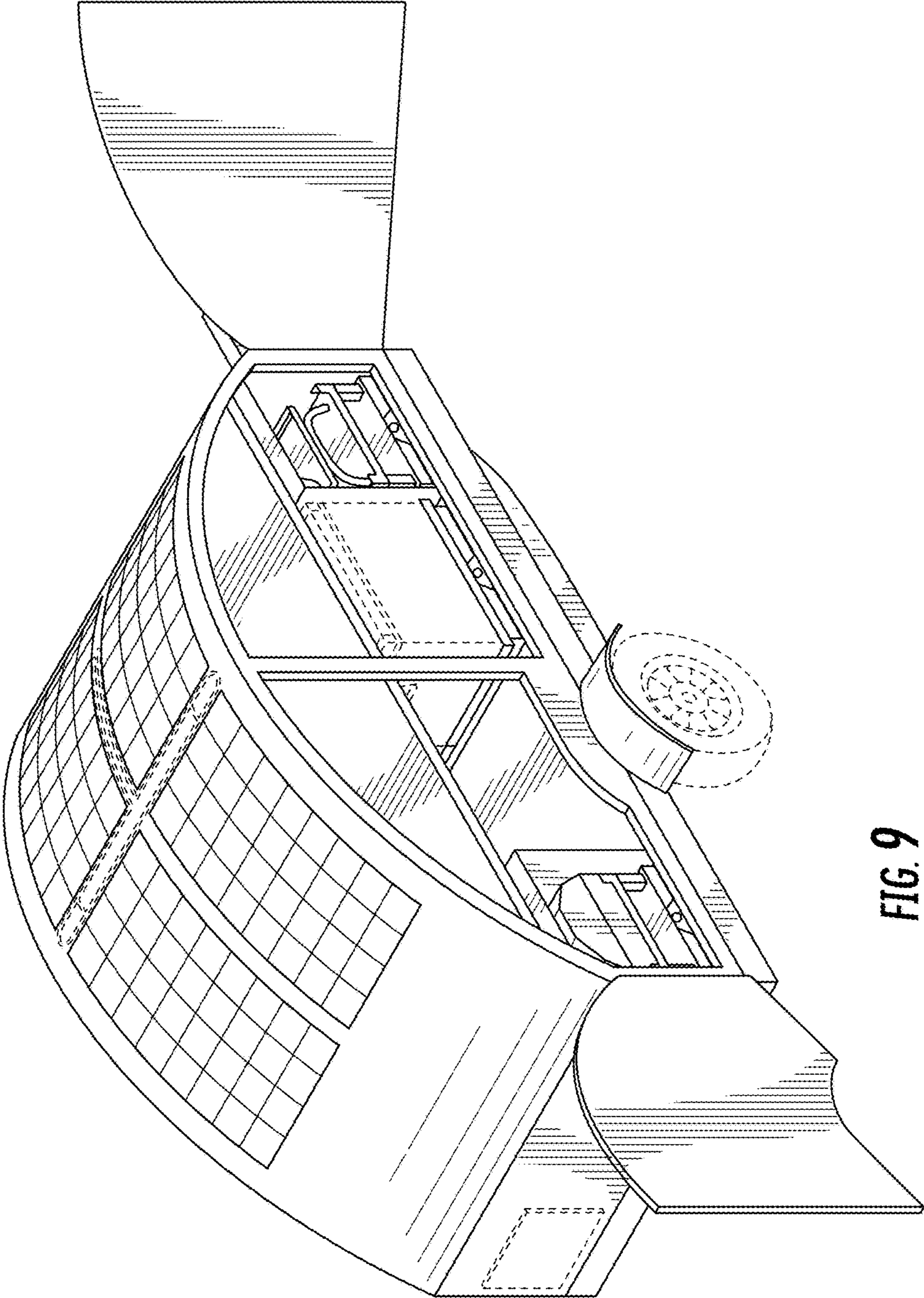


FIG. 9

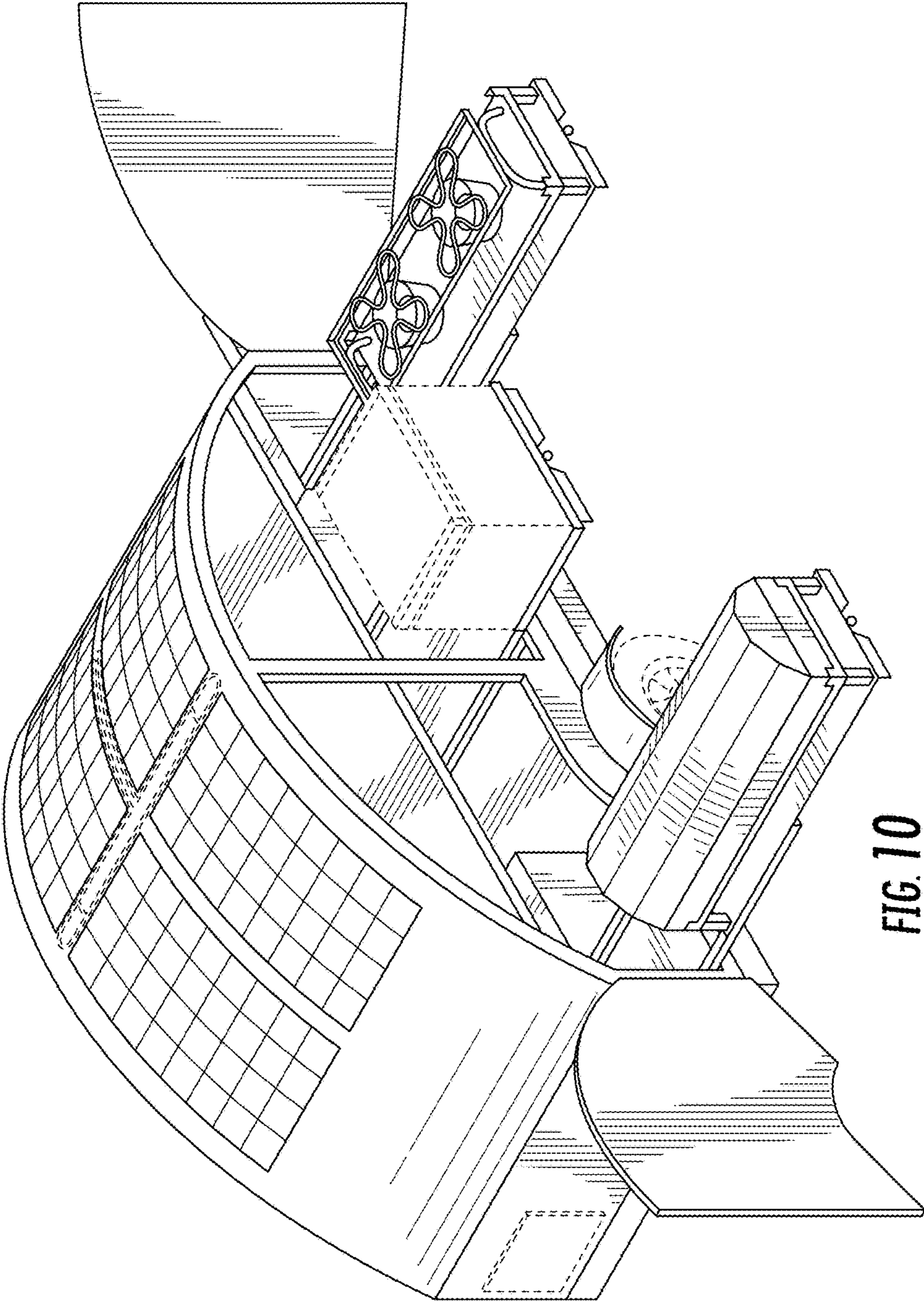


FIG. 10

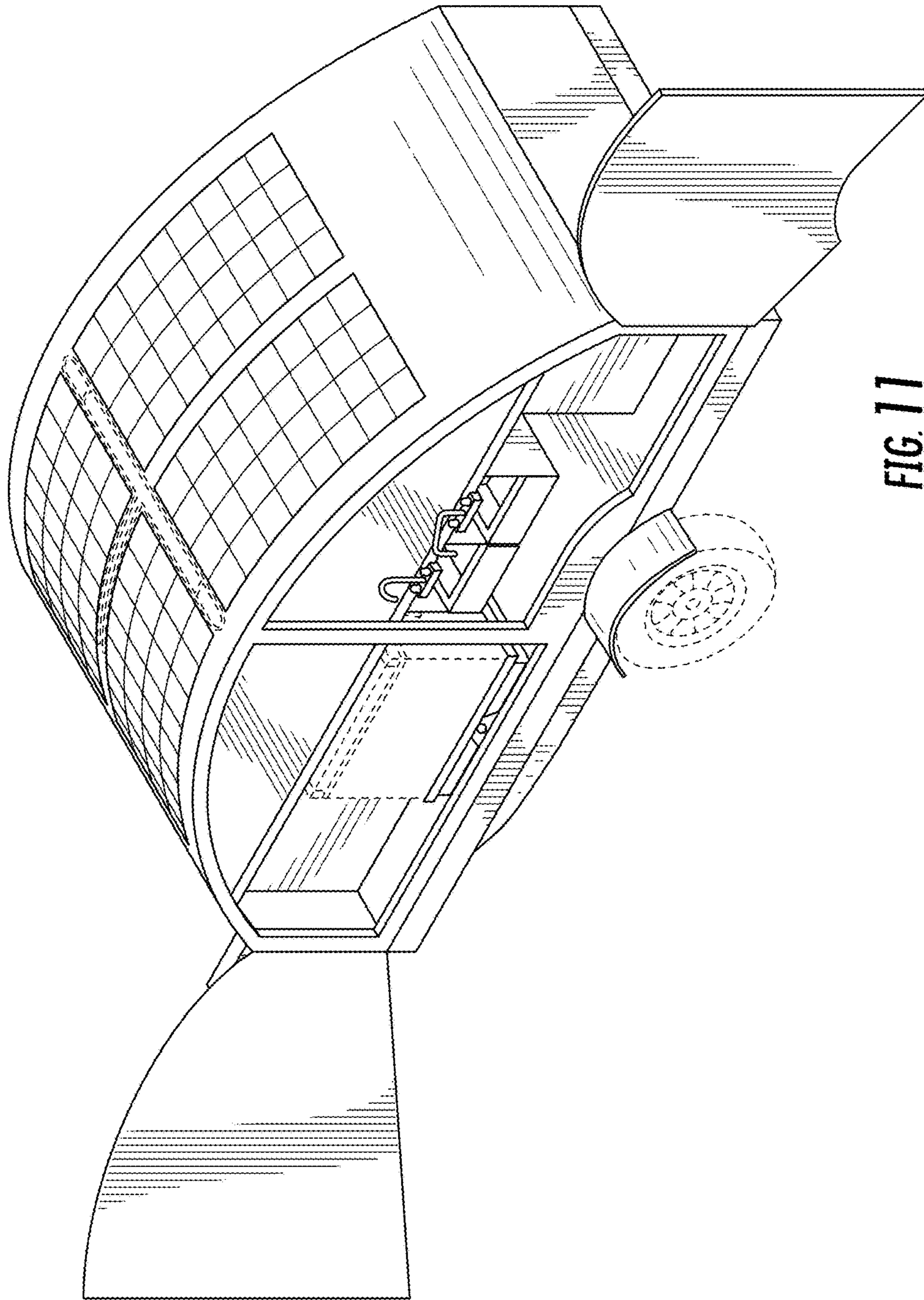


FIG. 11

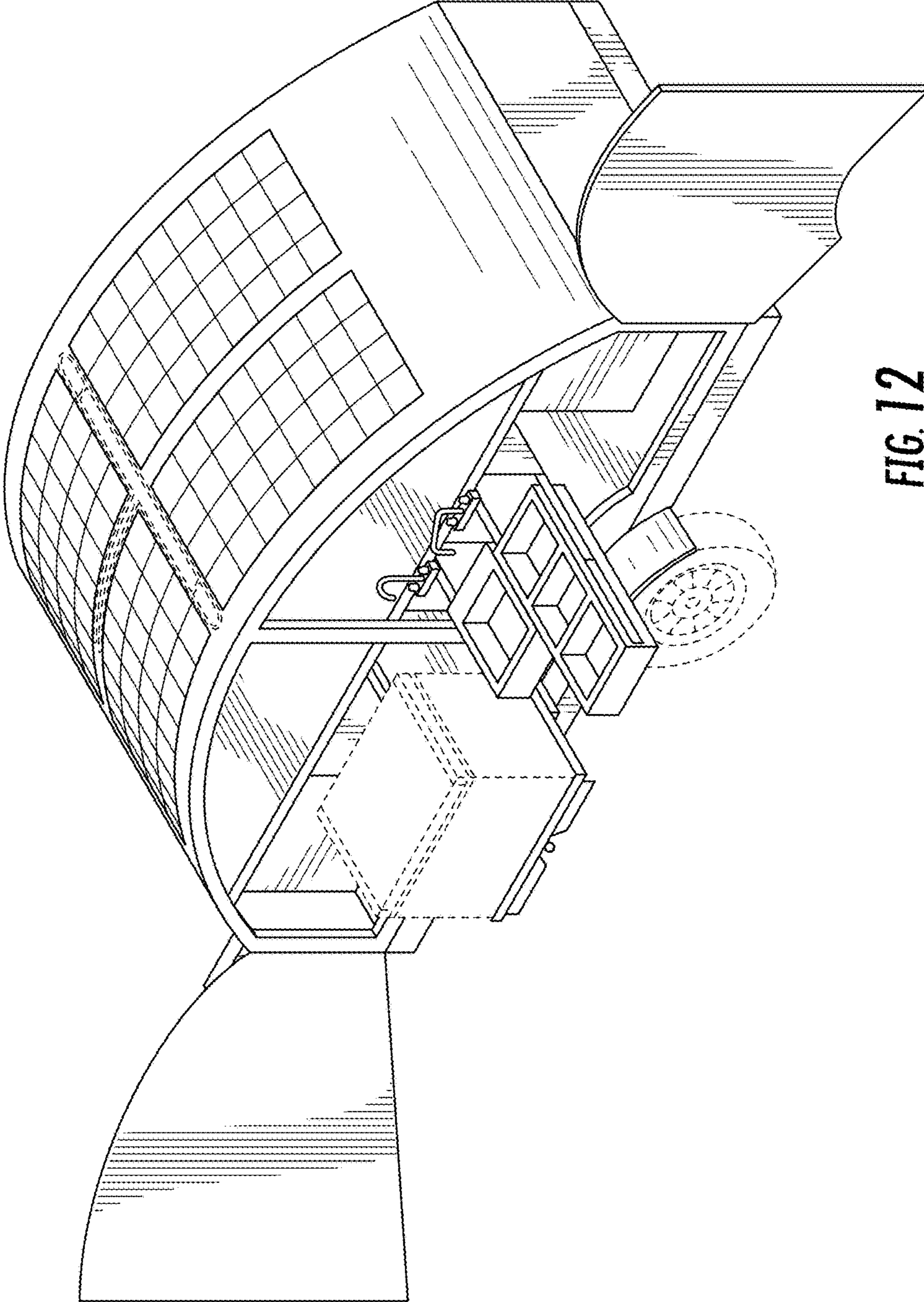


FIG. 12