



US00D867216S

(12) **United States Design Patent**  
**Van Wyk**

(10) **Patent No.:** **US D867,216 S**

(45) **Date of Patent:** **\*\* Nov. 19, 2019**

(54) **MULTI-TANK UTILITY TRAILER WITH UTILITY BOX**

(71) Applicant: **Loren Van Wyk**, Pella, IA (US)

(72) Inventor: **Loren Van Wyk**, Pella, IA (US)

(73) Assignee: **LDJ MANUFACTURING, INC.**,  
Pella, IA (US)

(\*\*) Term: **15 Years**

(21) Appl. No.: **29/629,473**

(22) Filed: **Dec. 13, 2017**

(51) **LOC (12) Cl.** ..... **12-10**

(52) **U.S. Cl.**  
USPC ..... **D12/102**

(58) **Field of Classification Search**  
USPC ..... D12/19, 129, 100–106, 111, 112;  
D21/425, 435; D34/21–26, 12, 16–19  
CPC .. B62D 35/00; B62D 33/077; B62D 33/0612;  
B62D 24/04; B60P 3/10; B60P 3/1033;  
B60P 3/0257; B60P 3/38; B60P 3/34;  
E01F 15/14  
See application file for complete search history.

(56) **References Cited**

**U.S. PATENT DOCUMENTS**

D603,299 S	*	11/2009	Prusmack	.....	D12/102
D659,595 S	*	5/2012	Eliason	.....	D12/102
D661,229 S	*	6/2012	O'Neill	.....	D12/102
D664,072 S	*	7/2012	Halloran	.....	D12/102
D737,725 S	*	9/2015	Bell	.....	D12/102

D759,547 S	*	6/2016	Van Wyk	.....	D12/102
D762,145 S	*	7/2016	Van Bosstraeten	.....	D12/102
D801,229 S	*	10/2017	Brock	.....	B62D 63/06 D12/102
D822,544 S	*	7/2018	Black	.....	D12/102
D836,037 S	*	12/2018	Tran	.....	D12/102
D850,980 S	*	6/2019	Griffin	.....	D12/93

\* cited by examiner

*Primary Examiner* — Katrina A Betton

(74) *Attorney, Agent, or Firm* — Camille L. Urban;  
BrownWinick Law Firm

(57) **CLAIM**

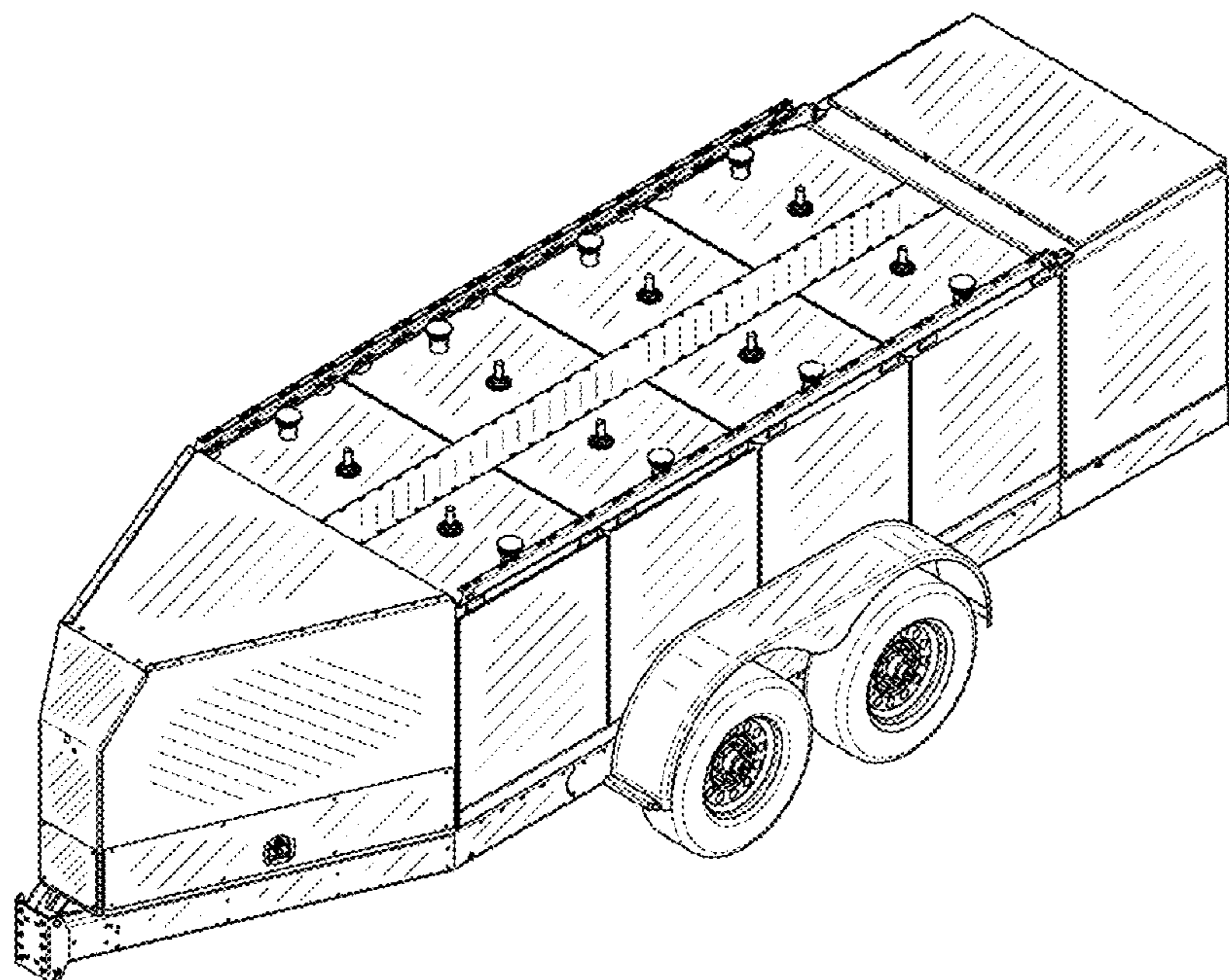
I claim the ornamental design for a multi-tank utility trailer with utility box, as shown and described.

**DESCRIPTION**

FIG. 1 is a perspective view of the multi-tank utility trailer; FIG. 2 is a right side view of the multi-tank utility trailer of FIG. 1; FIG. 3 is a left side view of the multi-tank utility trailer of FIG. 1; FIG. 4 is a rear view of the multi-tank utility trailer of FIG. 1; FIG. 5 is a front view of the multi-tank utility trailer of FIG. 1; and, FIG. 6 is a top view of the multi-tank utility trailer of FIG. 1.

Any subject matter shown in dashed lines, and any surfaces of the design not shown, including interior surfaces, form no part of the claimed invention.

**1 Claim, 6 Drawing Sheets**



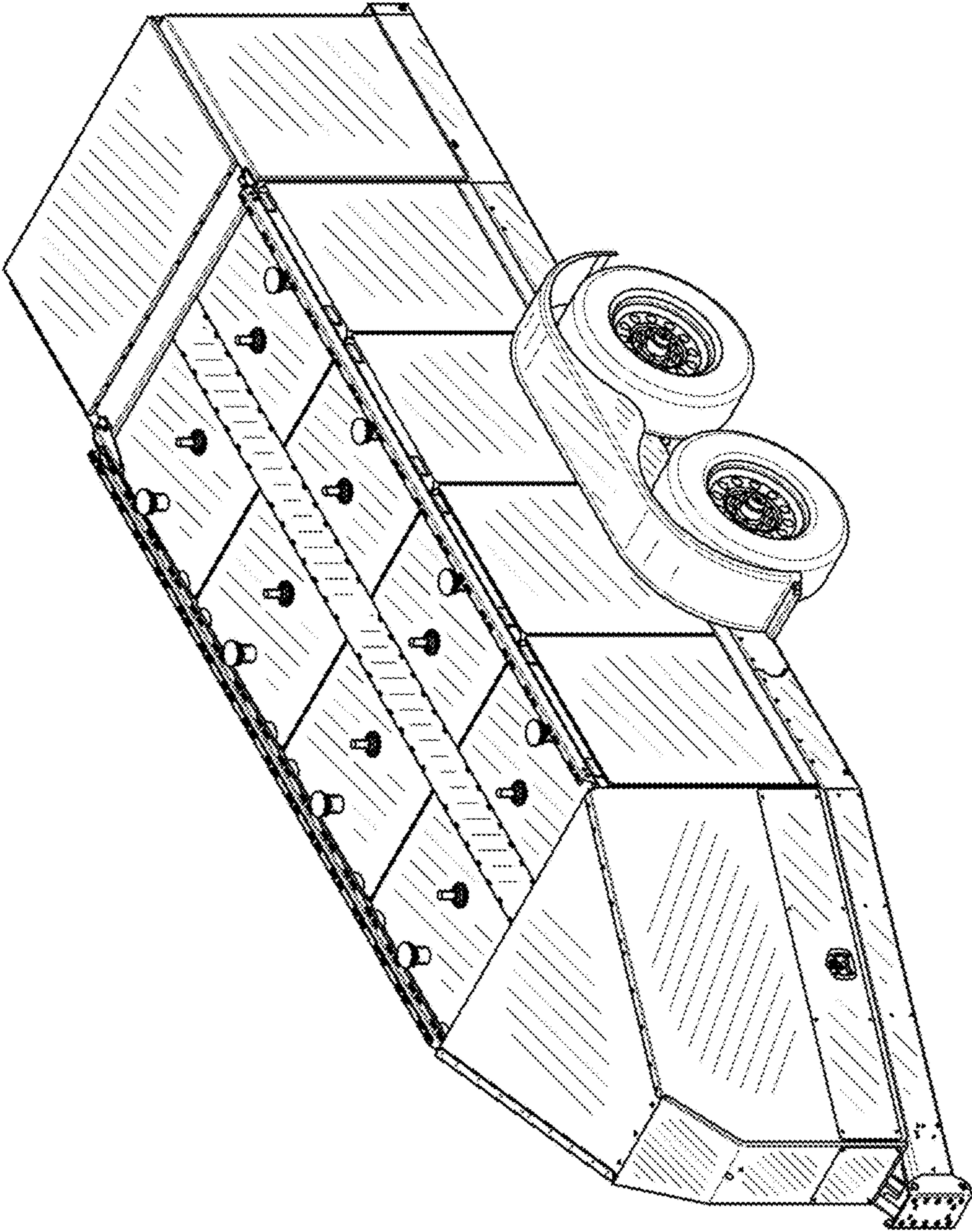


FIG. 1



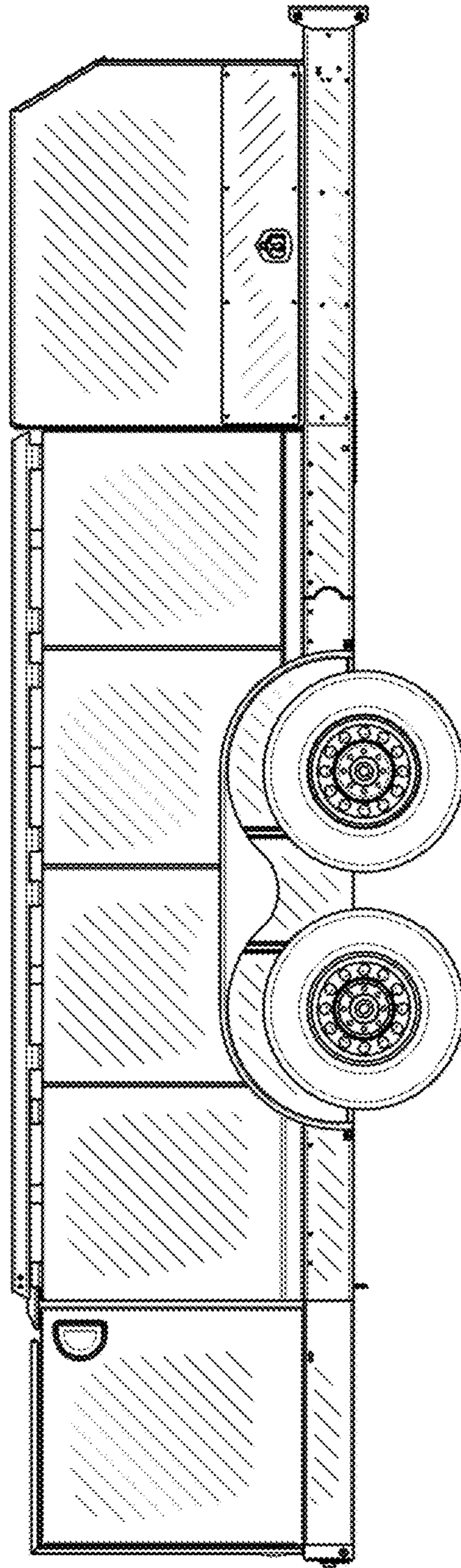


FIG. 2

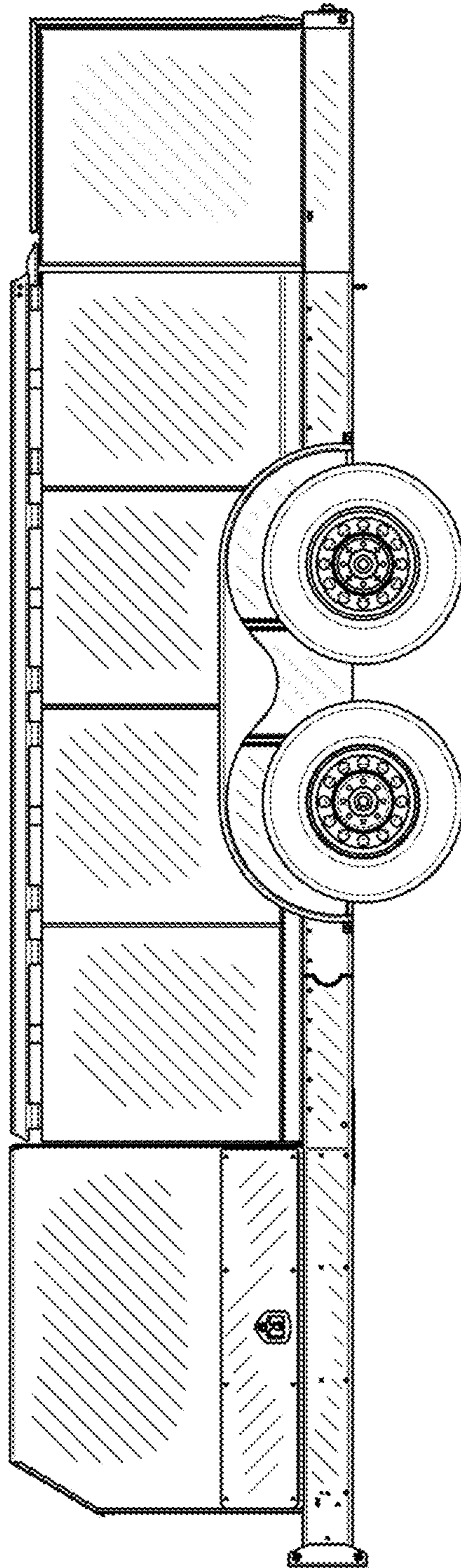


FIG. 3

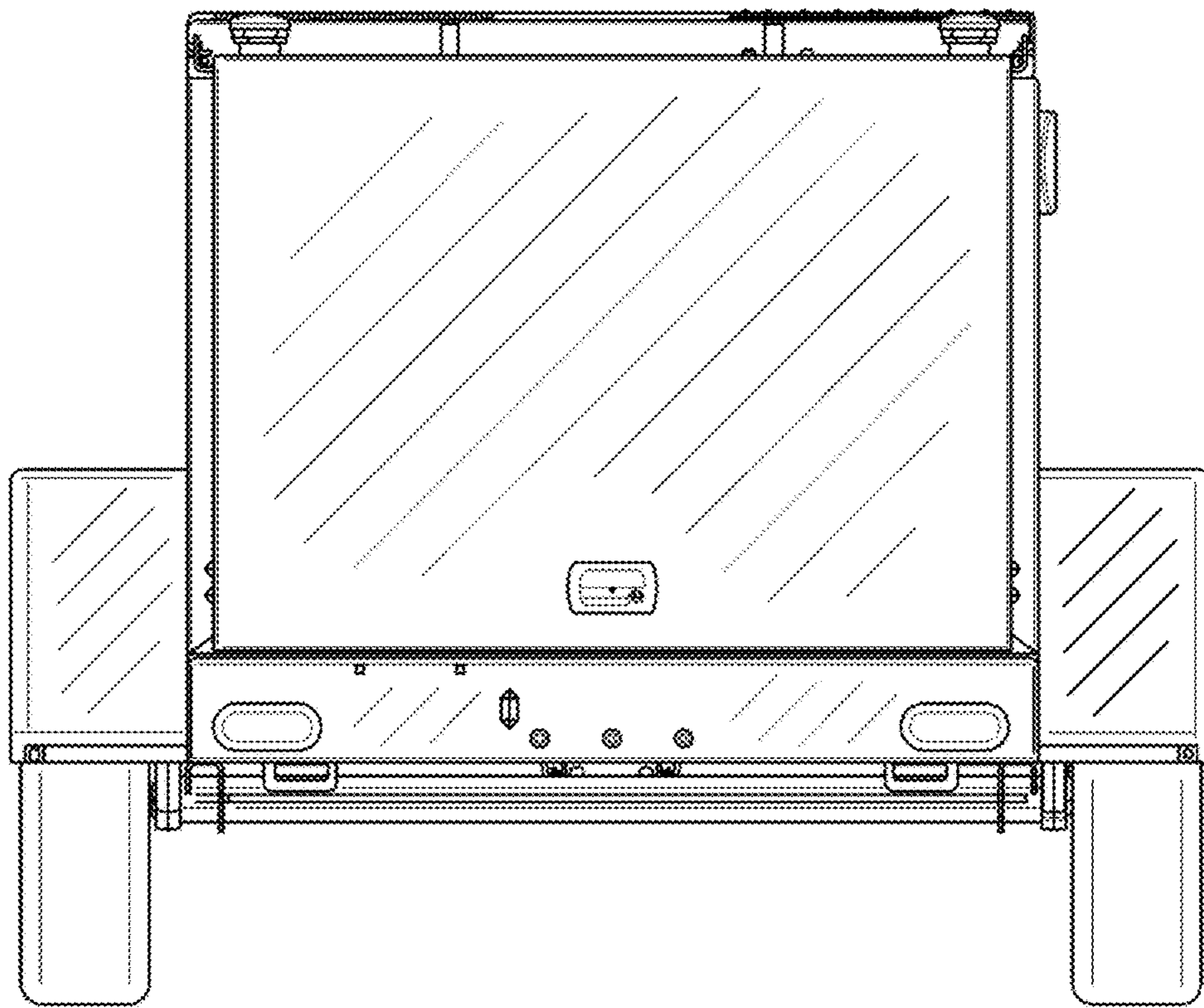


FIG. 4

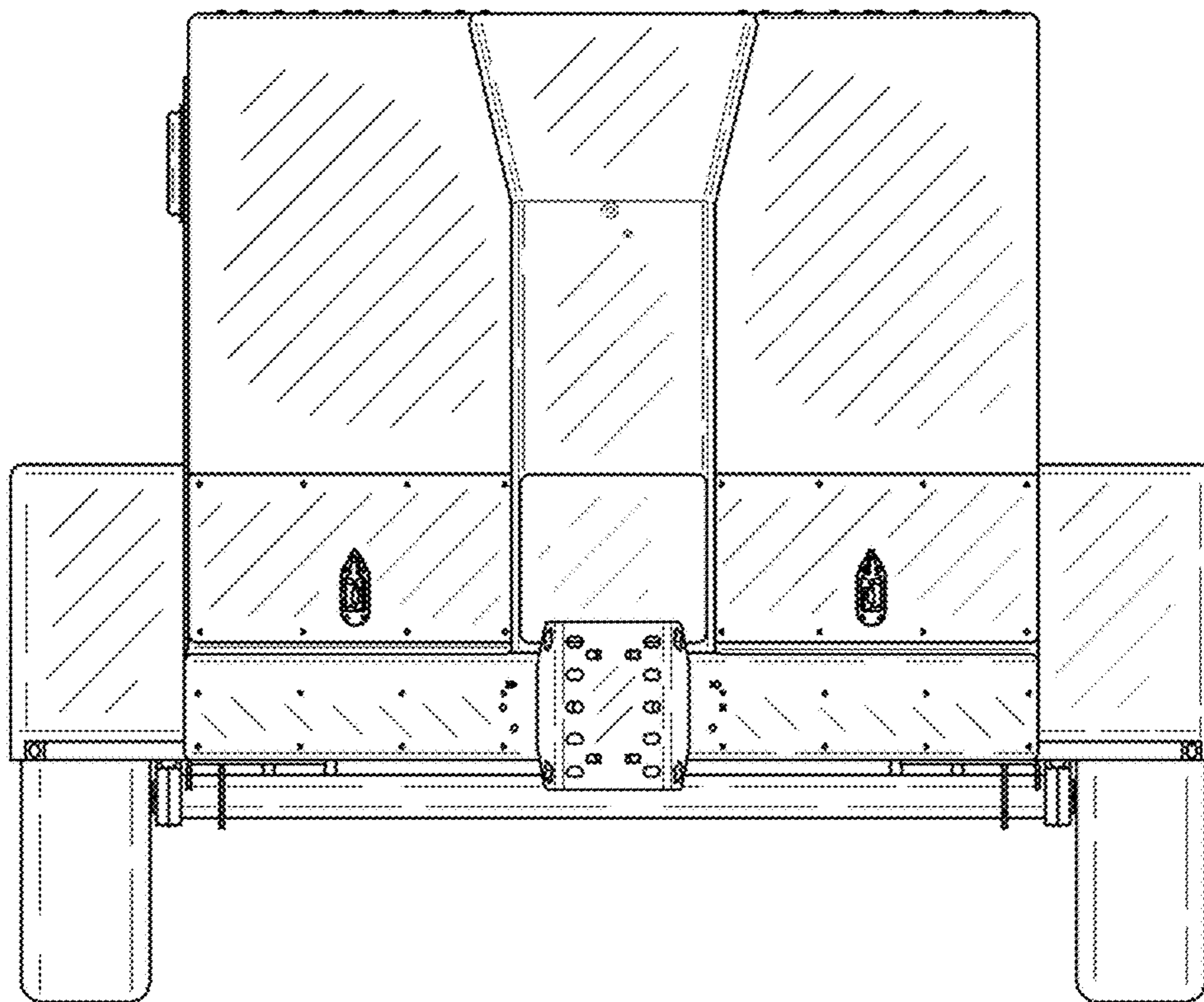


FIG. 5



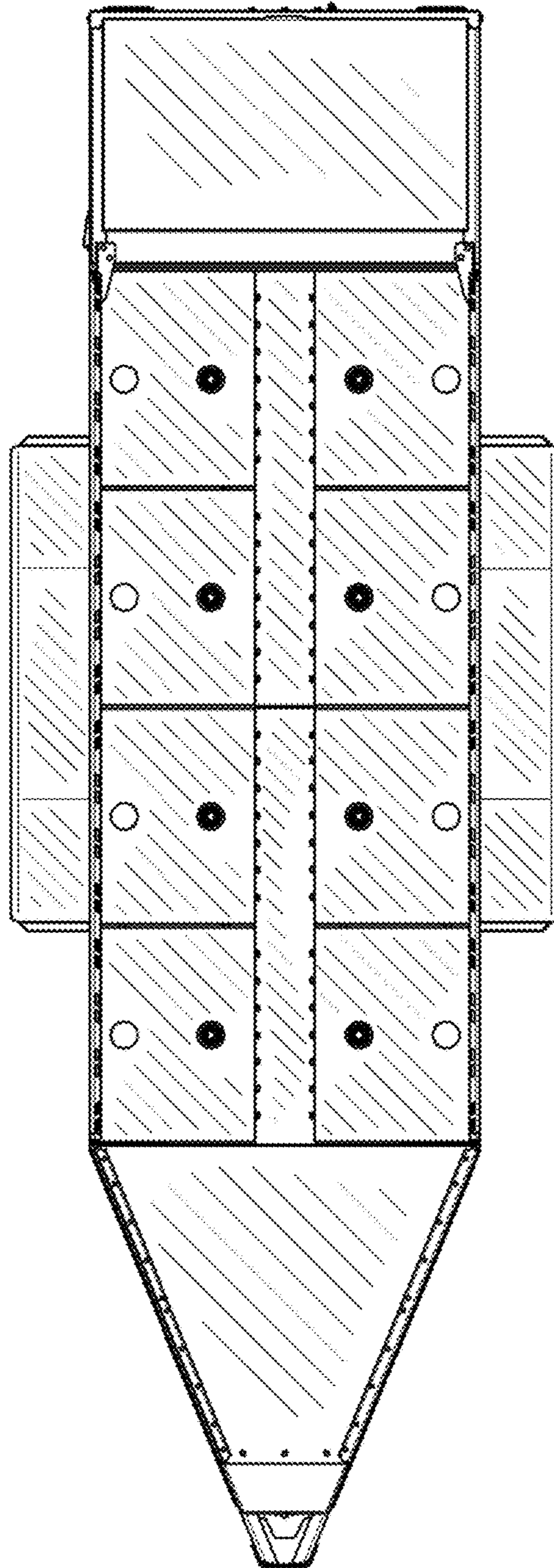


FIG. 6