



US00D867215S

(12) **United States Design Patent**
Van Wyk

(10) **Patent No.:** **US D867,215 S**

(45) **Date of Patent:** **** Nov. 19, 2019**

(54) **MULTI-TANK UTILITY TRAILER**

(71) Applicant: **Loren Van Wyk**, Pella, IA (US)

(72) Inventor: **Loren Van Wyk**, Pella, IA (US)

(73) Assignee: **LDJ MANUFACTURING, INC.**,
Pella, IA (US)

(**) Term: **15 Years**

(21) Appl. No.: **29/629,460**

(22) Filed: **Dec. 13, 2017**

(51) **LOC (12) Cl.** **12-10**

(52) **U.S. Cl.**
USPC **D12/102**

(58) **Field of Classification Search**
USPC D12/19, 129, 100-106, 111, 112;
D21/425, 435; D34/21-26, 12, 16-19
CPC .. B62D 35/00; B62D 33/077; B62D 33/0612;
B62D 24/04; B60P 3/10; B60P 3/1033;
B60P 3/0257; B60P 3/38; B60P 3/34;
E01F 15/14

See application file for complete search history.

(56) **References Cited**

U.S. PATENT DOCUMENTS

| | | | | |
|--------------|---------|----------|-------|---------|
| D603,299 S * | 11/2009 | Prusmack | | D12/102 |
| D659,595 S * | 5/2012 | Eliason | | D12/102 |
| D661,229 S * | 6/2012 | O'Neill | | D12/102 |
| D664,072 S * | 7/2012 | Halloran | | D12/102 |
| D737,725 S * | 9/2015 | Bell | | D12/102 |

| | | | | |
|--------------|---------|-----------------|-------|-----------------------|
| D759,547 S * | 6/2016 | Van Wyk | | D12/102 |
| D762,145 S * | 7/2016 | Van Bosstraeten | | D12/102 |
| D801,229 S * | 10/2017 | Brock | | B62D 63/06 D12/102 |
| D822,544 S * | 7/2018 | Black | | D12/102 |
| D836,037 S * | 12/2018 | Tran | | D12/102 |
| D850,980 S * | 6/2019 | Griffin | | D12/93 |

* cited by examiner

Primary Examiner — Katrina A Betton

(74) *Attorney, Agent, or Firm* — Camille L. Urban;
BrownWinick Law Firm

(57) **CLAIM**

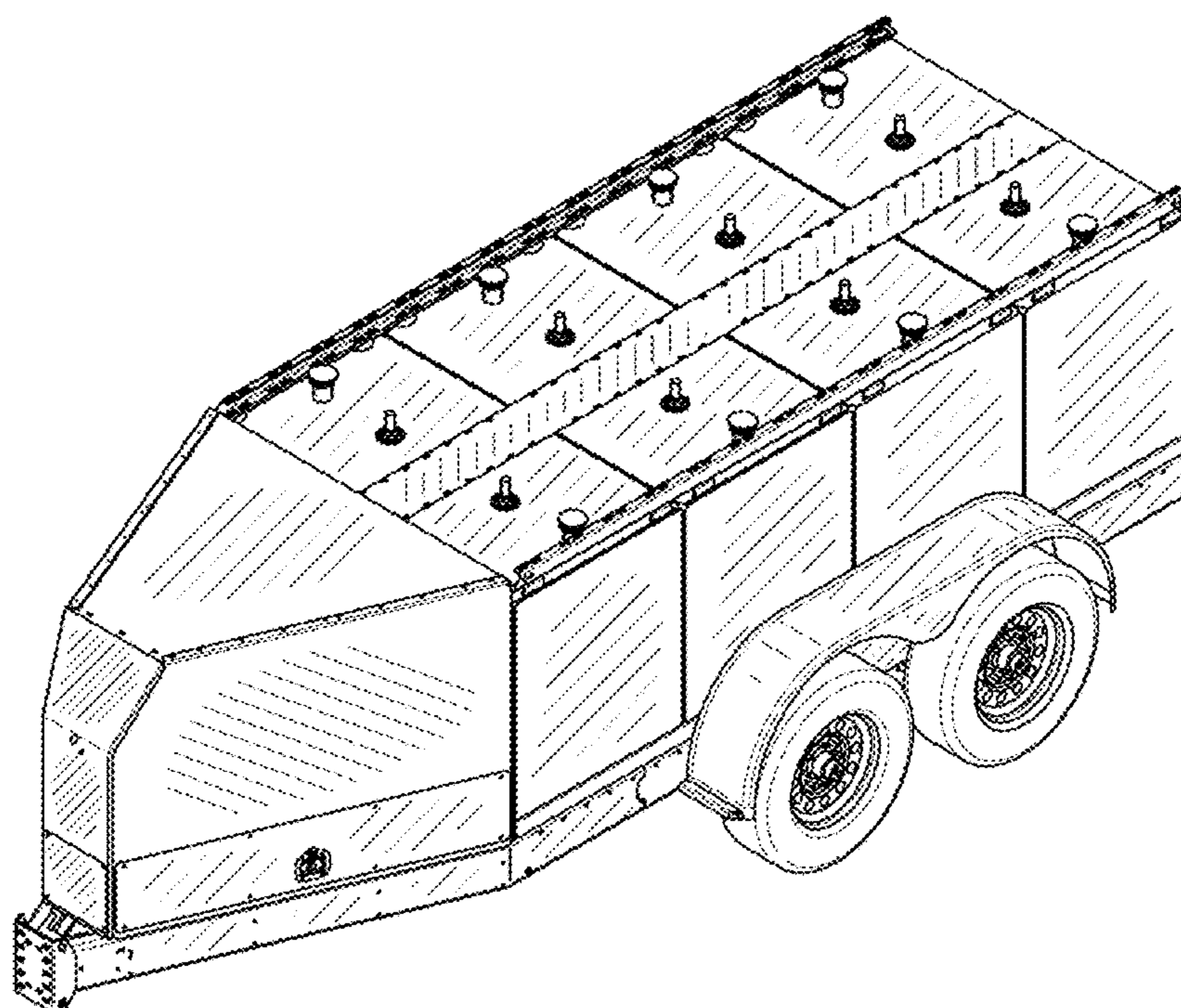
I claim the ornamental design for a multi-tank utility trailer,
as shown and described.

DESCRIPTION

FIG. 1 is a perspective view of the multi-tank utility trailer;
FIG. 2 is a right side view of the multi-tank utility trailer of
FIG. 1;
FIG. 3 is a left side view of the multi-tank utility trailer of
FIG. 1;
FIG. 4 is a front side view of the multi-tank utility trailer of
FIG. 1;
FIG. 5 is a back view of the multi-tank utility trailer of FIG.
1; and,
FIG. 6 is a top view of the multi-tank utility trailer of FIG.
1.

Any subject matter shown in dashed lines, and any surfaces
of the design not shown, including interior surfaces, form no
part of the claimed invention.

1 Claim, 6 Drawing Sheets



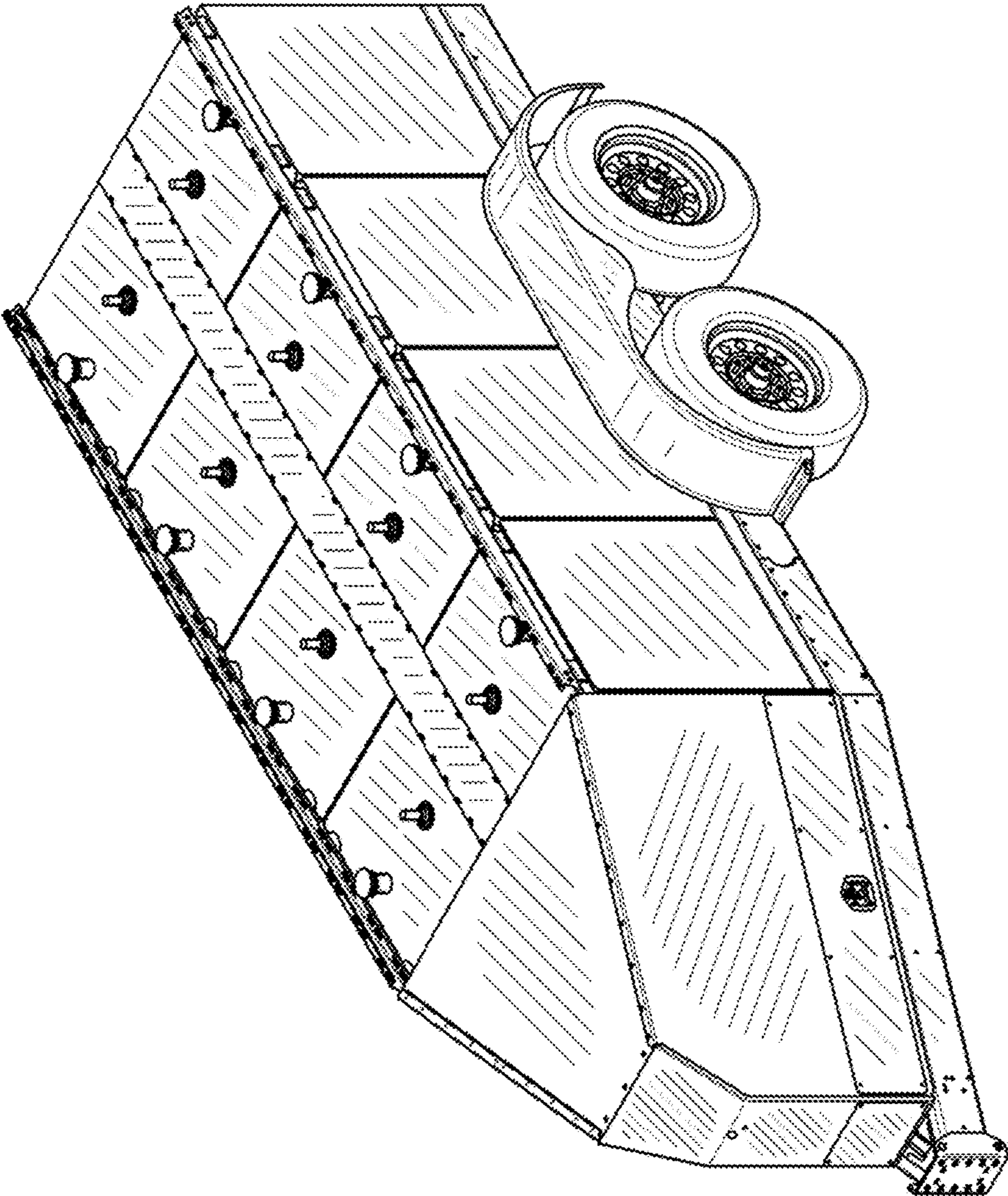


FIG. 1

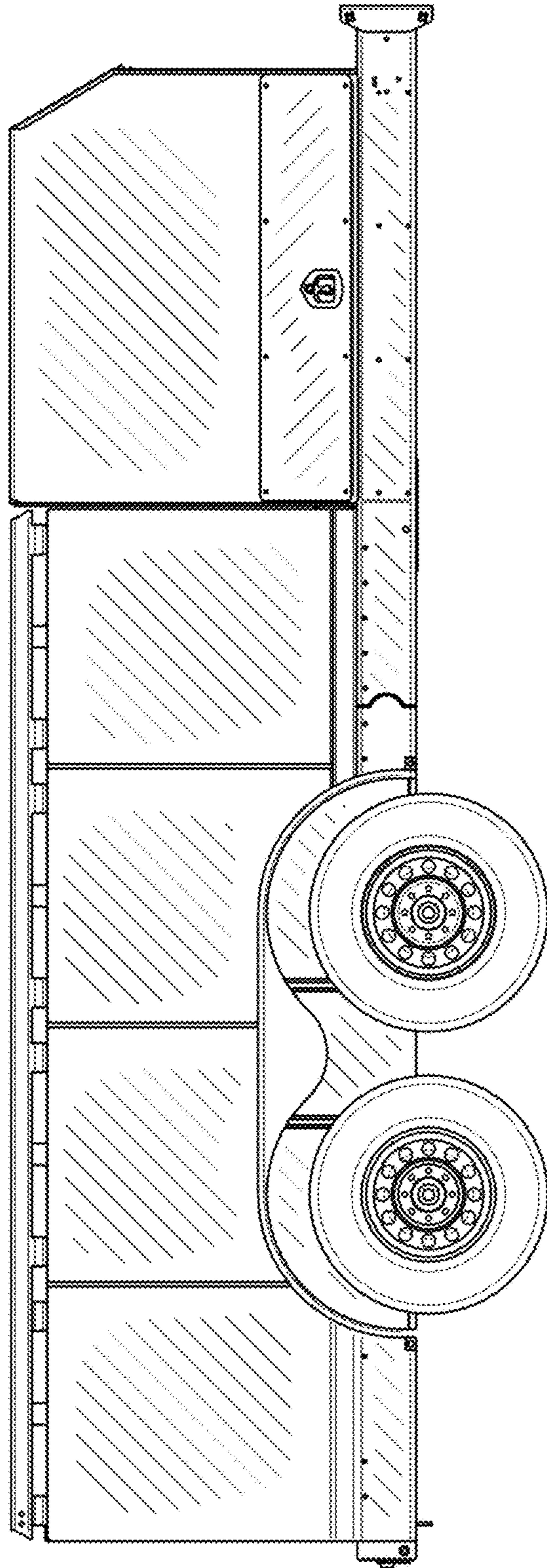


FIG. 2

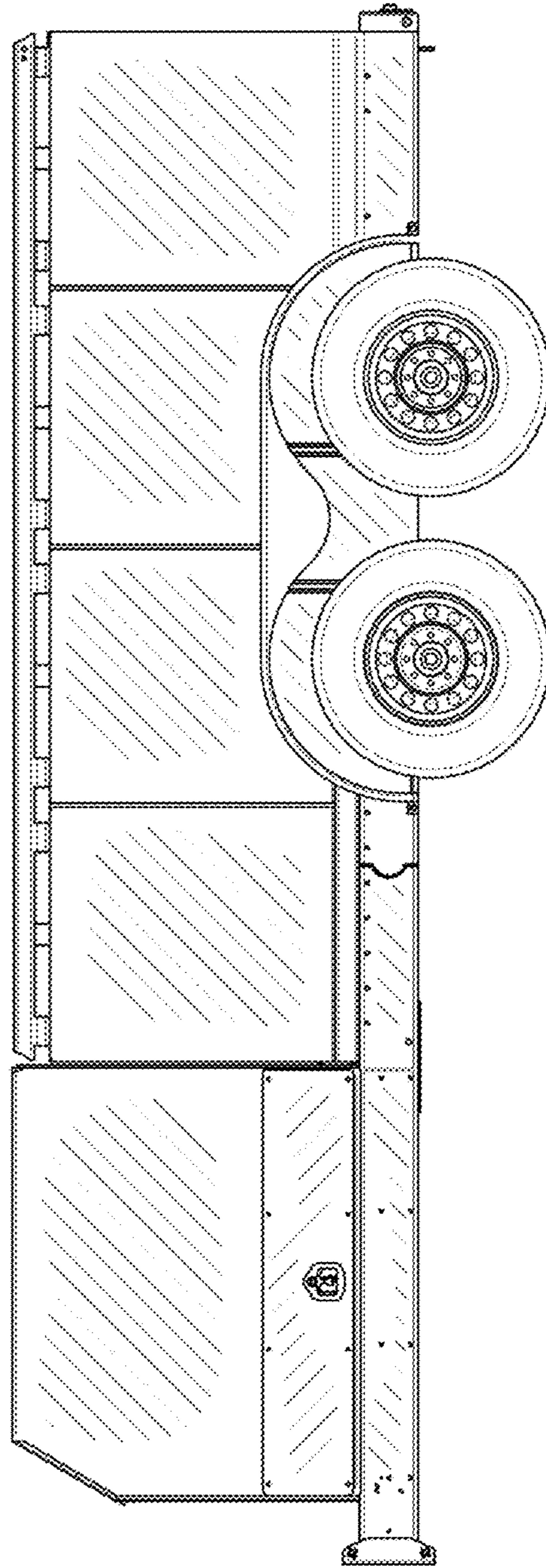


FIG. 3

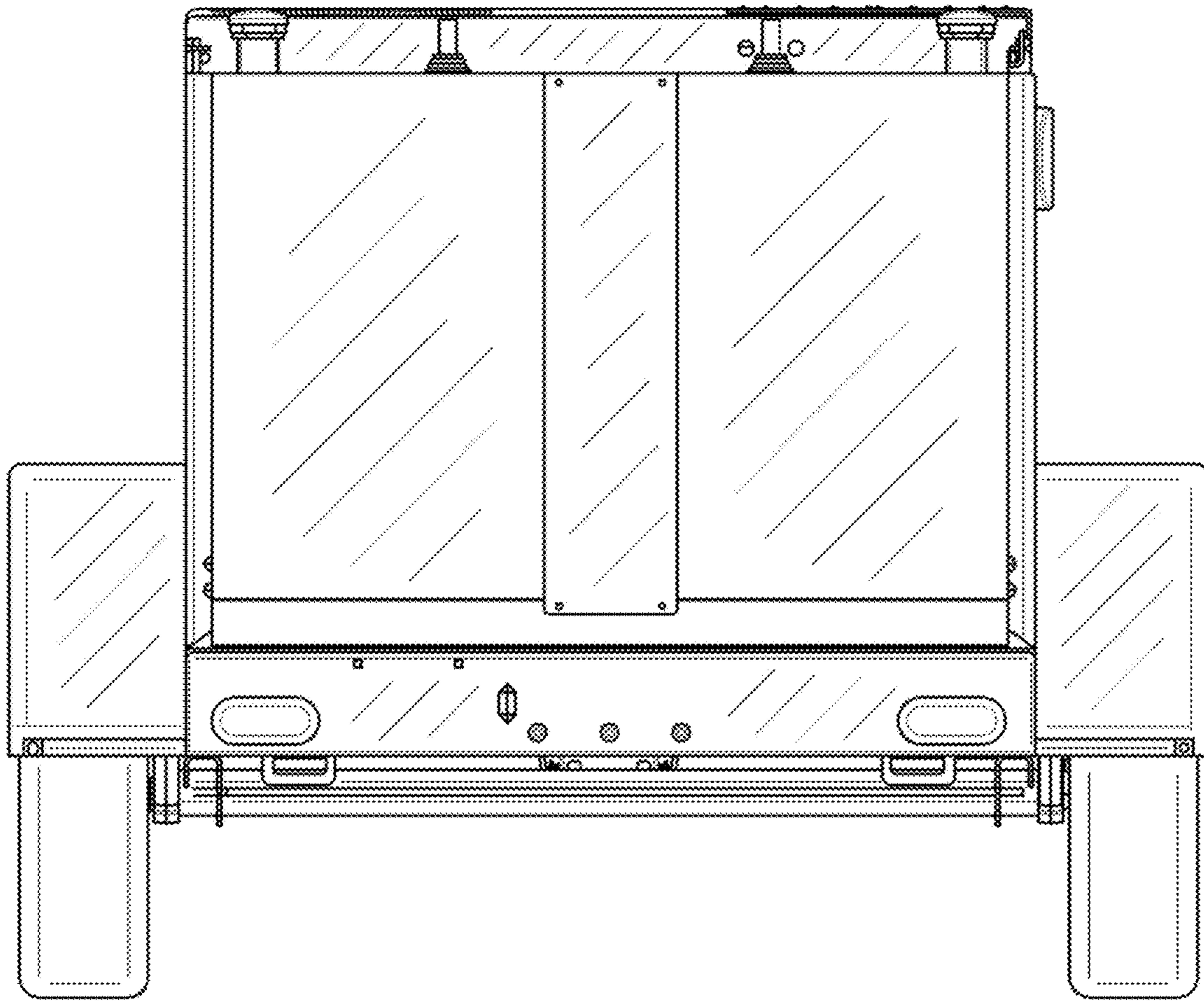


FIG. 4

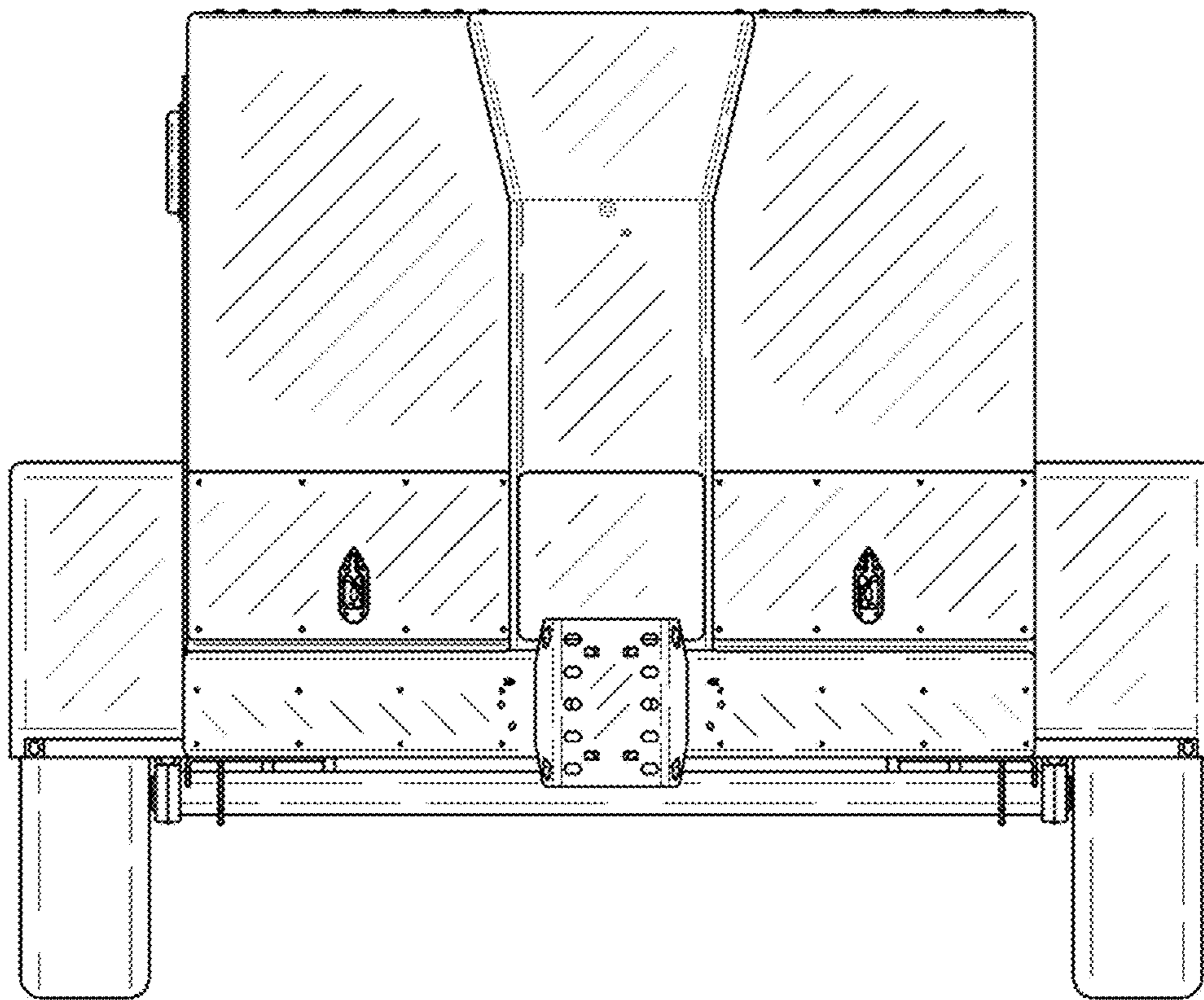


FIG. 5

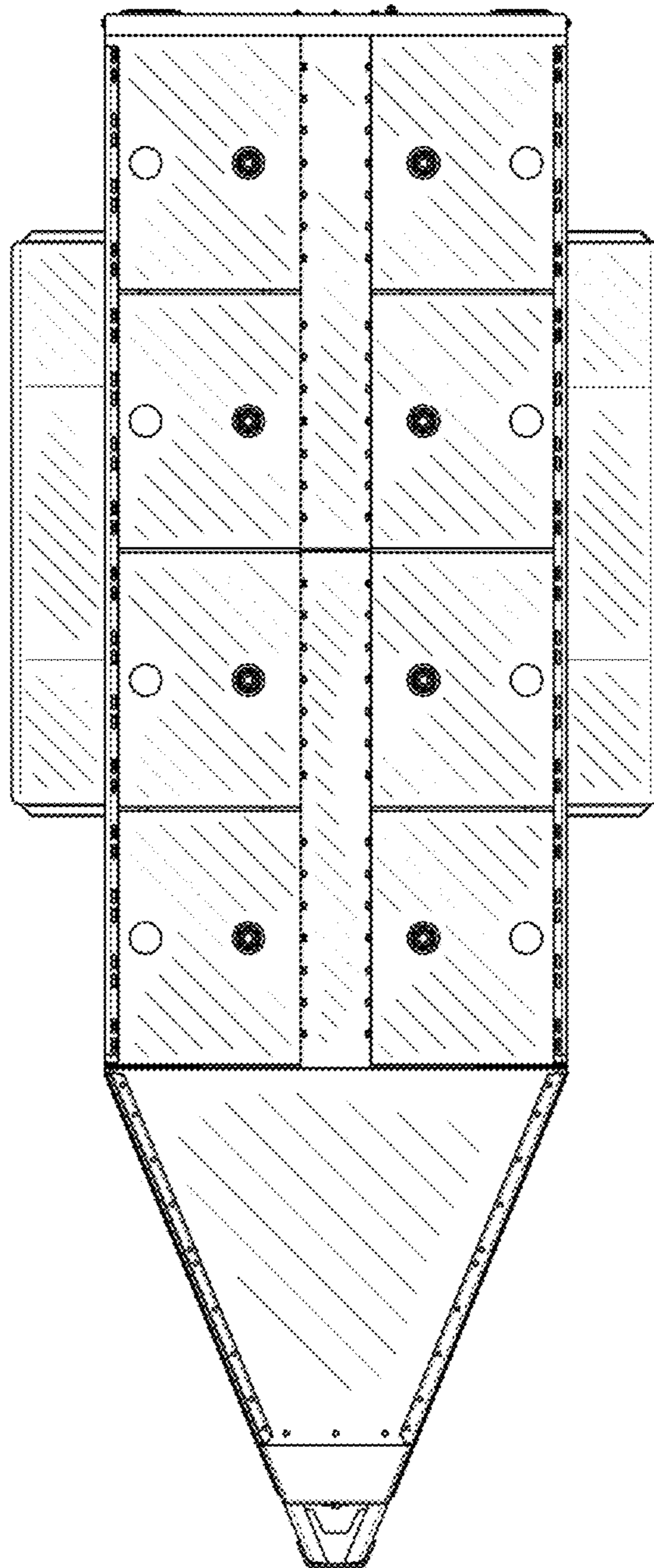


FIG. 6