

US00D867214S

(12) **United States Design Patent** (10) **Patent No.:** **US D867,214 S**
Kato (45) **Date of Patent:** **** Nov. 19, 2019**

(54) **AUTOMOBILE, TOY REPLICA AND/OR OTHER REPLICAS**

(71) Applicant: **HONDA MOTOR CO., LTD.**, Tokyo (JP)

(72) Inventor: **Tomoyuki Kato**, Wako (JP)

(73) Assignee: **HONDA MOTOR CO., LTD.**, Tokyo (JP)

(**) Term: **15 Years**

(21) Appl. No.: **29/654,121**

(22) Filed: **Jun. 21, 2018**

(30) **Foreign Application Priority Data**

Dec. 29, 2017 (JP) 2017-029639

(51) **LOC (12) Cl.** **12-08**

(52) **U.S. Cl.**
USPC **D12/92**

(58) **Field of Classification Search**
USPC D12/86, 90-92, 88; D21/424, 433, 434, D21/533; 296/181.1-181.5, 183.1
CPC B62D 25/00; B62D 25/06; B62D 33/00; B62D 35/00
See application file for complete search history.

(56) **References Cited**

U.S. PATENT DOCUMENTS

D686,949 S * 7/2013 Minami D12/91
D705,700 S * 5/2014 Chen D12/91
D711,785 S * 8/2014 Tabata D12/92
D713,764 S * 9/2014 Ferlazzo D12/92
D719,875 S * 12/2014 Jang D12/91
D759,540 S * 6/2016 Davidson D12/91

D761,693 S * 7/2016 Lian D12/91
D762,527 S * 8/2016 Willing D12/92
D763,136 S * 8/2016 Minami D12/92
D763,736 S * 8/2016 Varga D12/92
D766,778 S * 9/2016 Lian D12/91
D767,448 S * 9/2016 Leu D12/92
D773,960 S * 12/2016 Jeon D12/92
D781,185 S * 3/2017 Ham D12/92
D804,996 S * 12/2017 Sahara D12/91
D807,227 S * 1/2018 Chen D12/91
D808,303 S * 1/2018 Chung D12/92
D808,304 S * 1/2018 Chung D12/92
D821,271 S * 6/2018 Minami D12/163
D823,165 S * 7/2018 Chung D12/91
D834,467 S * 11/2018 Kanai D12/163

* cited by examiner

Primary Examiner — Melody N Brown

(74) *Attorney, Agent, or Firm* — Westerman, Hattori, Daniels & Adrian, LLP

(57) **CLAIM**

The ornamental design for an automobile, toy replica and/or other replicas, as shown and described.

DESCRIPTION

FIG. 1 is a front and right side perspective view of an automobile, toy replica and/or other replicas showing my new design;
FIG. 2 is a front and right side perspective view thereof;
FIG. 3 is a right side elevation view thereof;
FIG. 4 is a left side elevation view thereof;
FIG. 5 is a top plan view thereof;
FIG. 6 is a front elevation view thereof; and,
FIG. 7 is a rear elevation view thereof.

The broken lines in the drawings illustrate portions of the automobile, toy replica and/or other replicas that form no part of the claimed design.

1 Claim, 7 Drawing Sheets

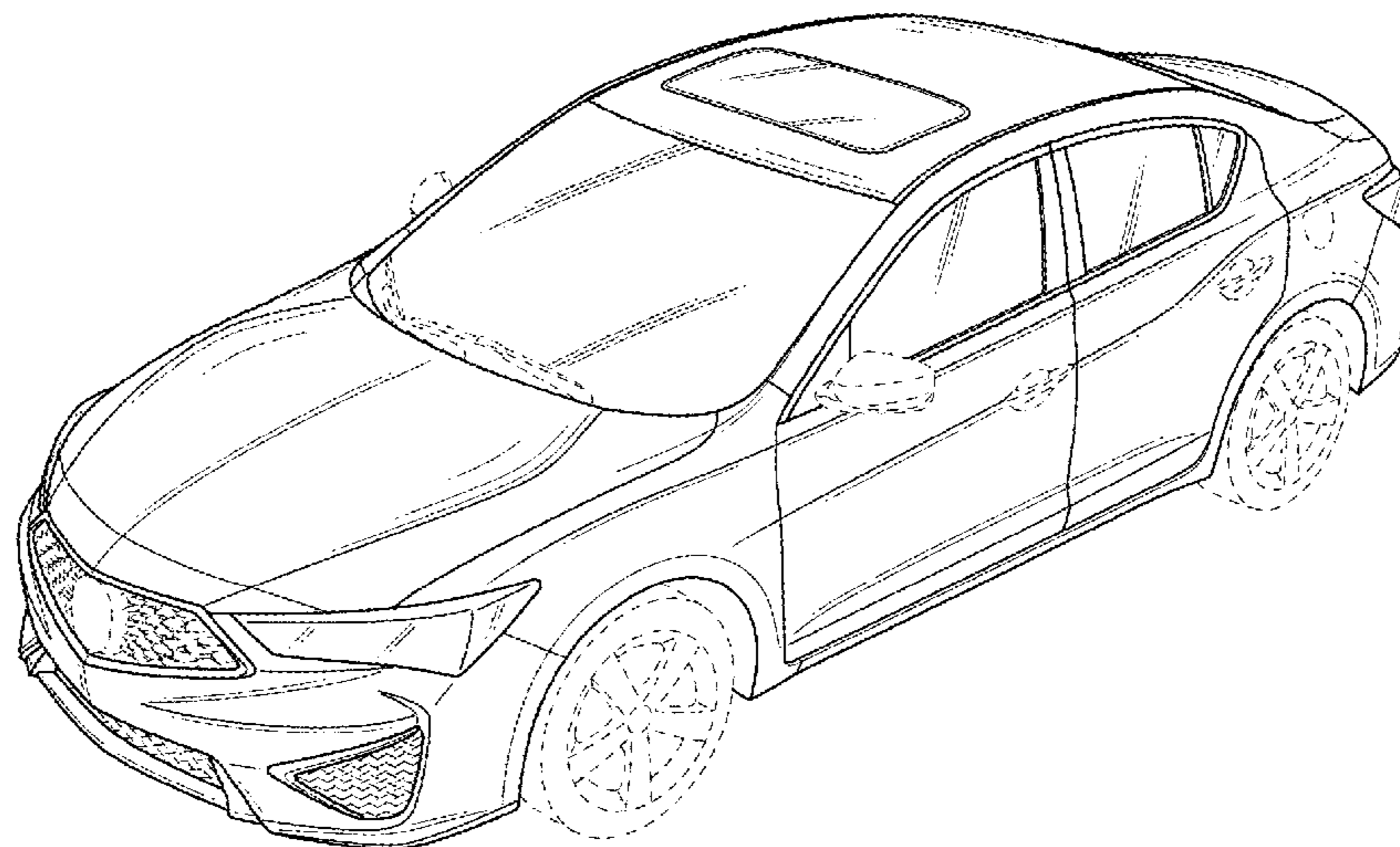


FIG. 1

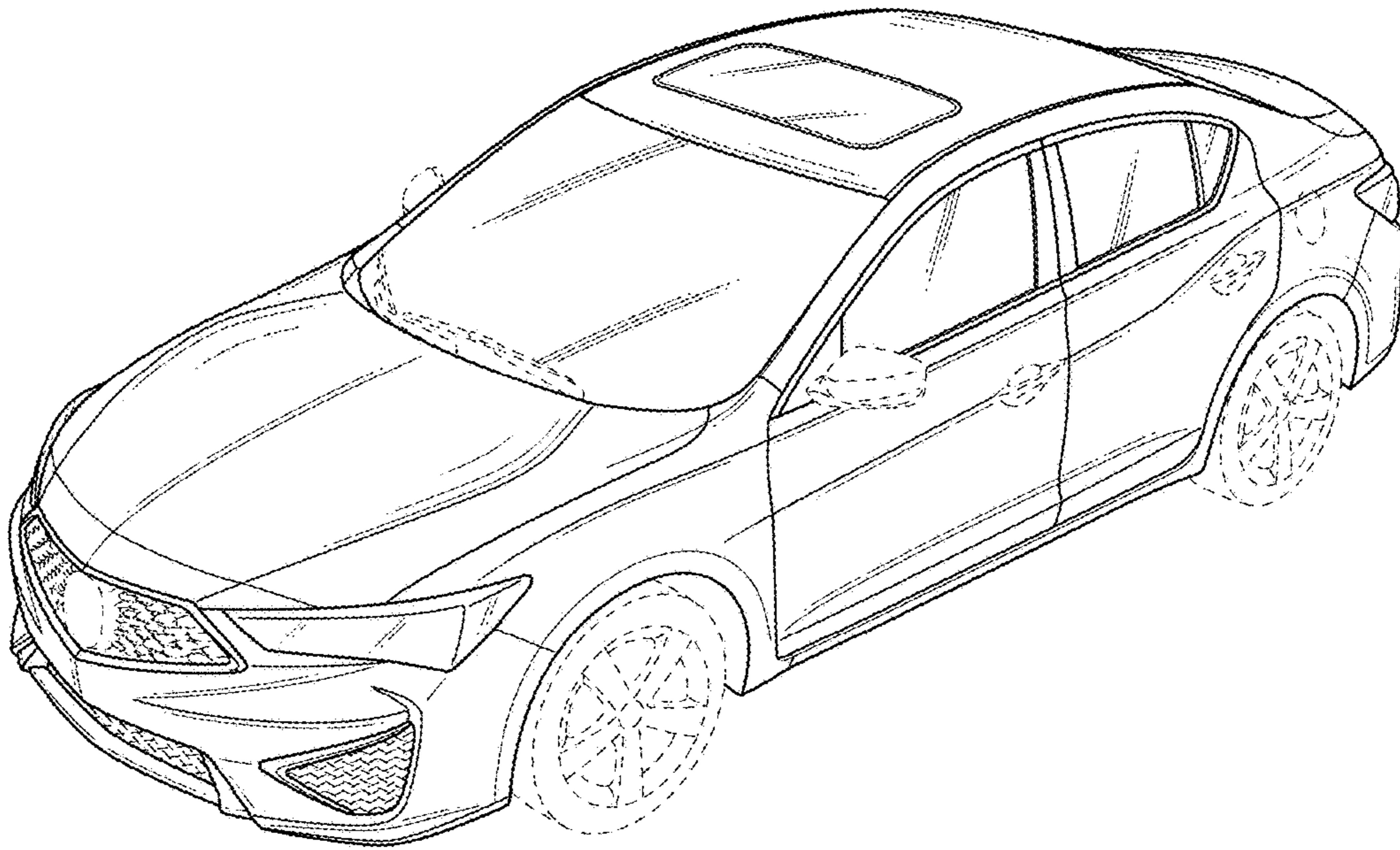


FIG. 2

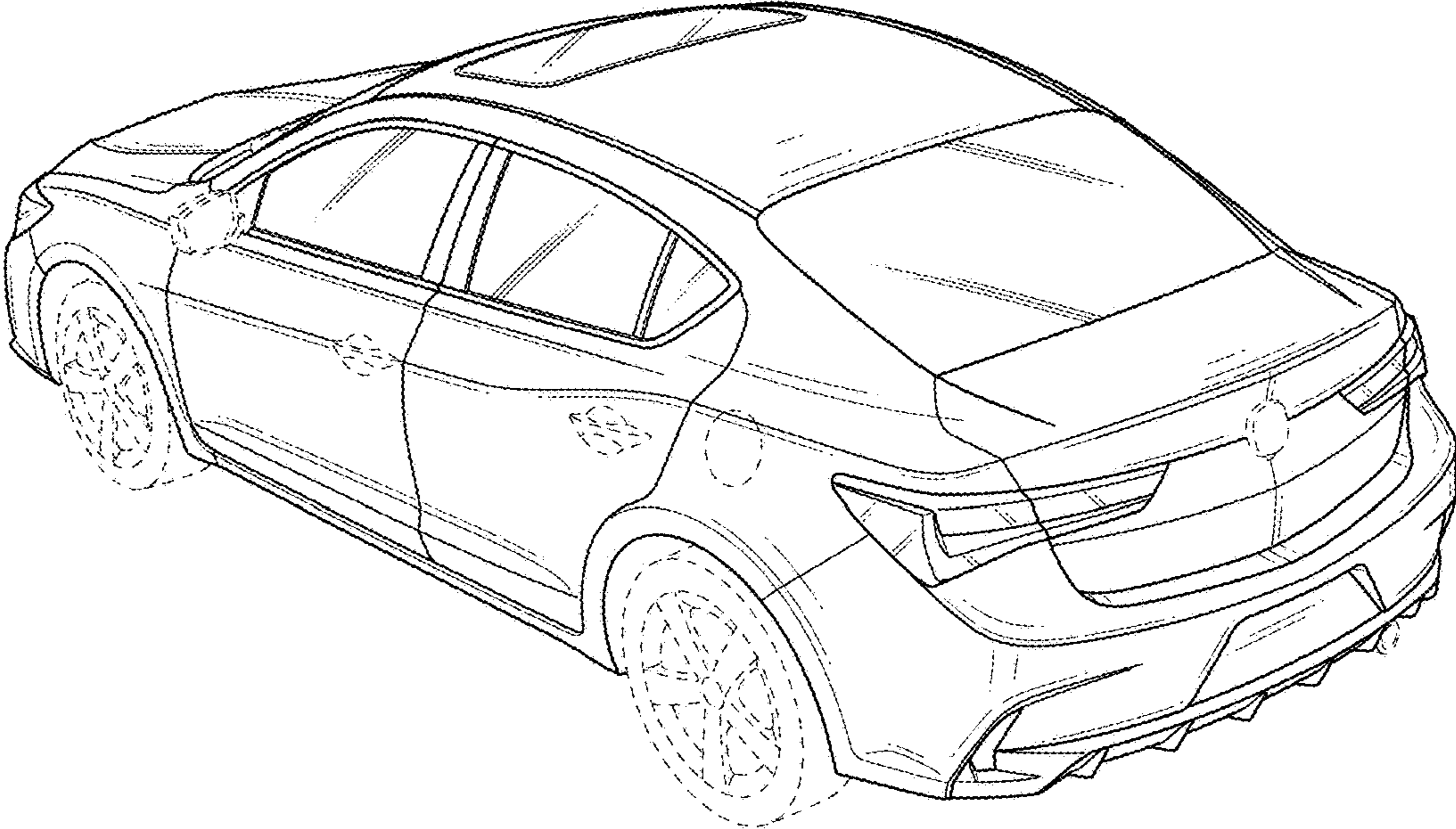


FIG. 3

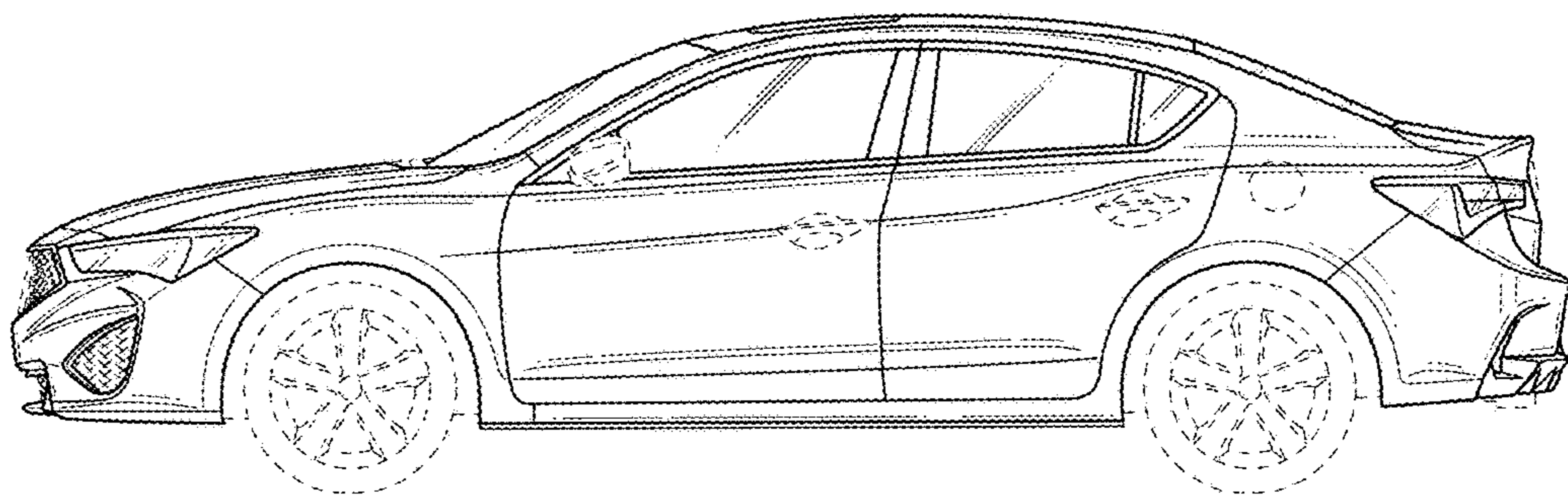


FIG. 4

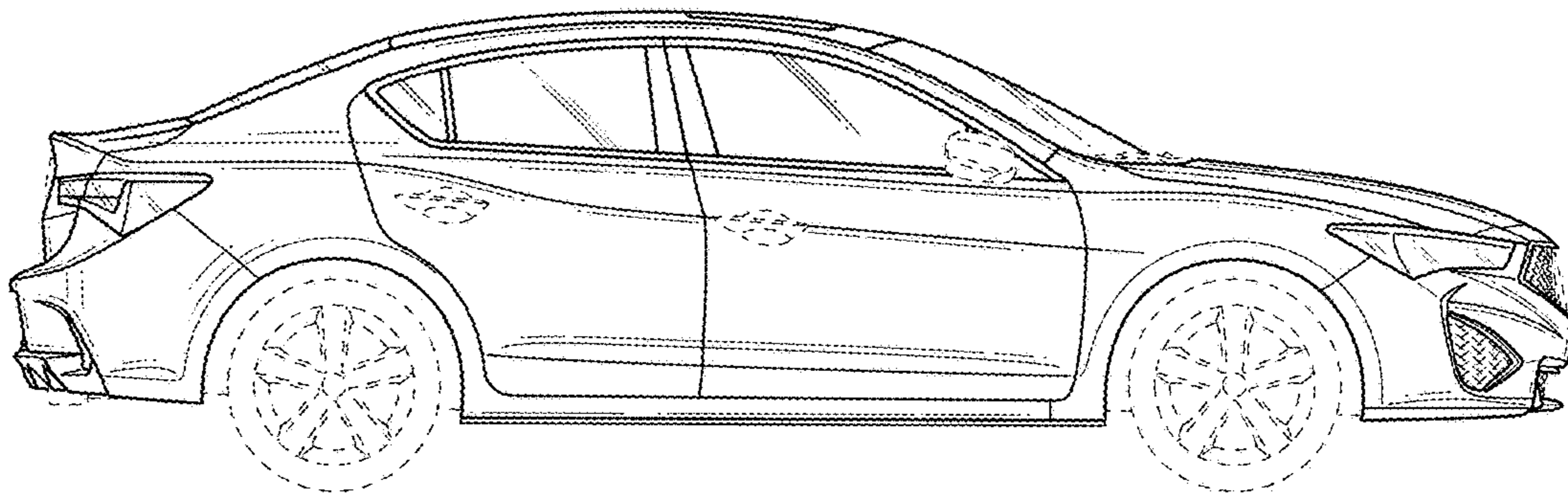


FIG. 5

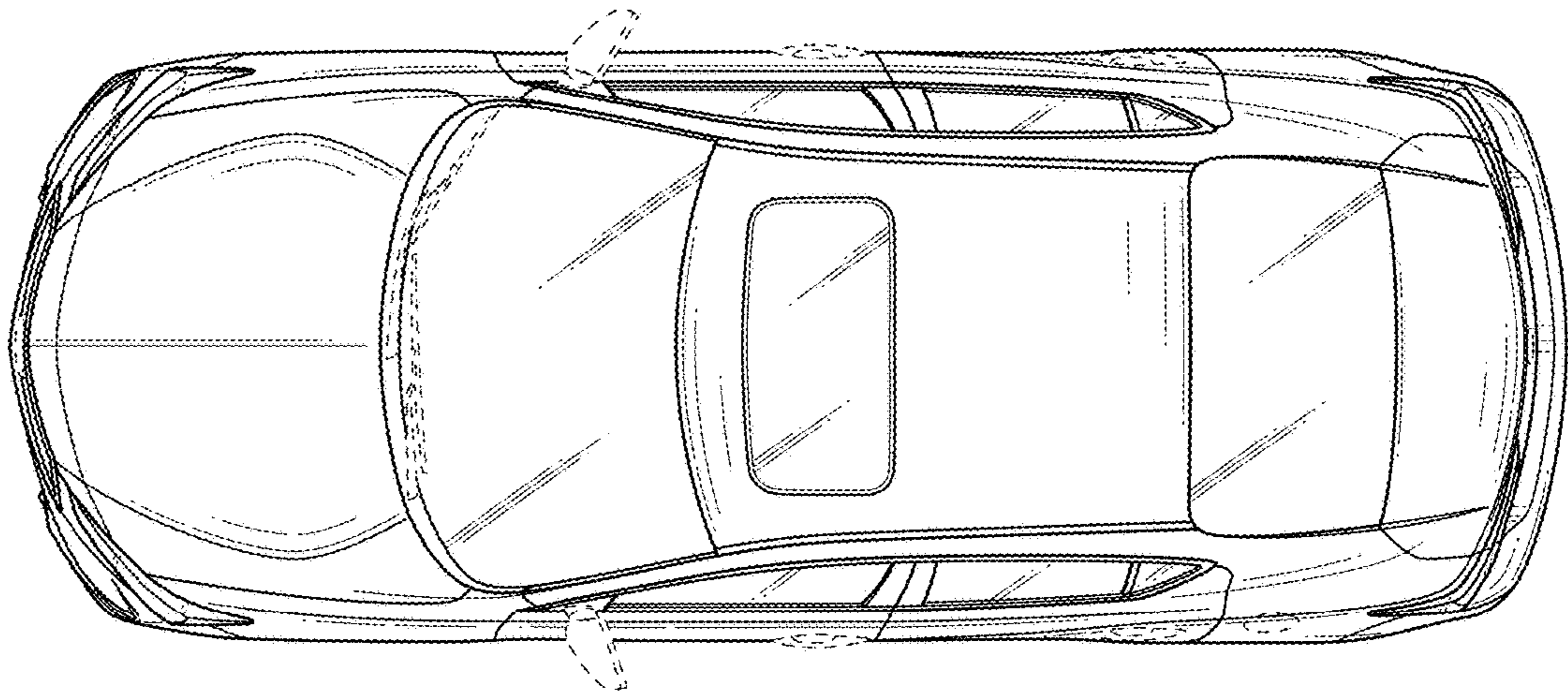


FIG. 6

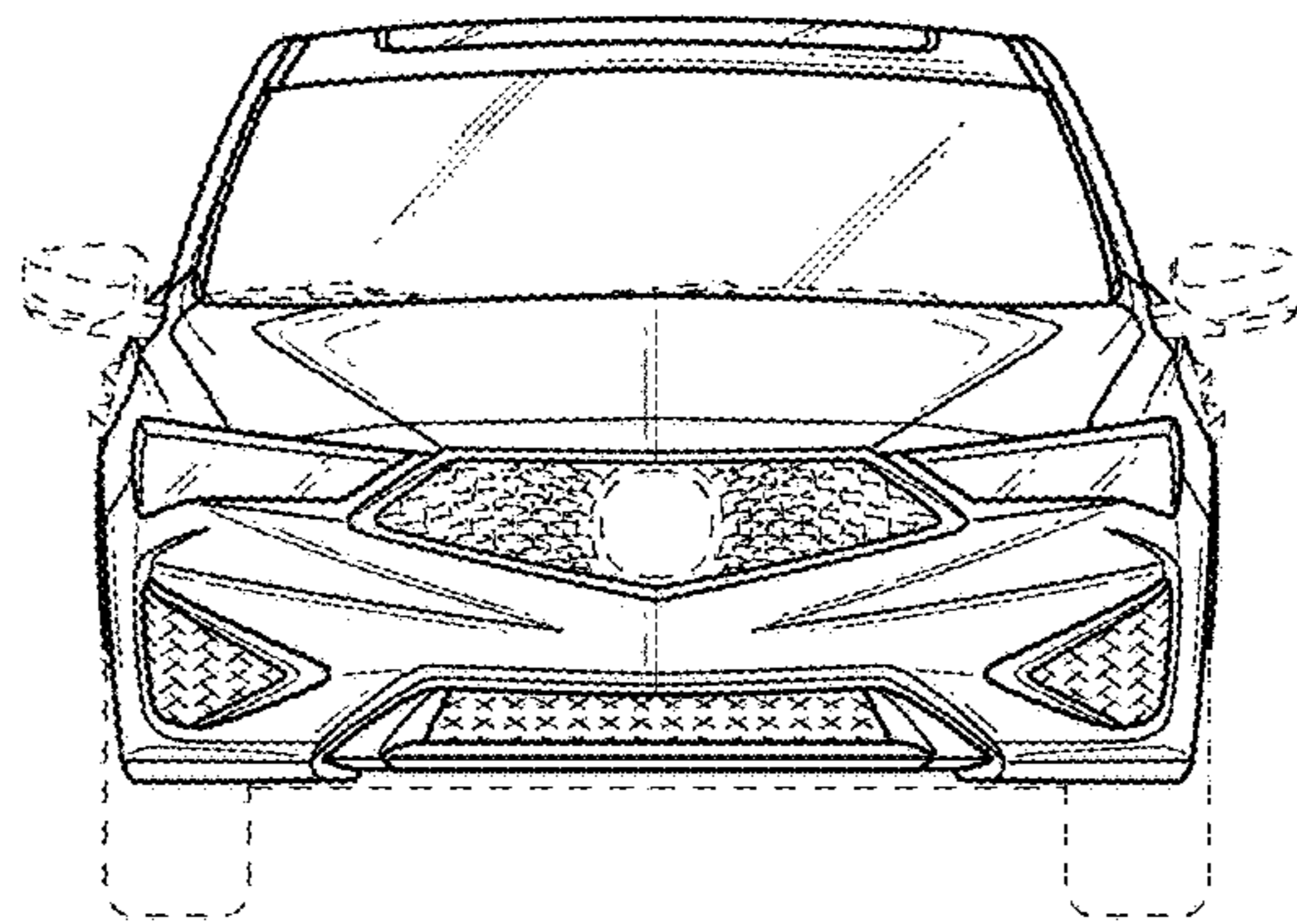


FIG. 7

