

US00D867210S

(12) **United States Design Patent** (10) **Patent No.:** **US D867,210 S**
Tachibana et al. (45) **Date of Patent:** **** Nov. 19, 2019**

(54) **ELECTRIC MOTOR VEHICLE**
(71) Applicant: **Mitsubishi Electric Corporation,**
Tokyo (JP)
(72) Inventors: **Atsuki Tachibana,** Tokyo (JP);
Takayasu Hashimoto, Tokyo (JP);
Thibaud Gentil, Tokyo (JP)
(73) Assignee: **Mitsubishi Electric Corporation,**
Tokyo (JP)

(**) Term: **15 Years**
(21) Appl. No.: **29/608,891**
(22) Filed: **Jun. 27, 2017**

(30) **Foreign Application Priority Data**
Apr. 5, 2017 (JP) 2017-007189
(51) **LOC (12) Cl.** **12-08**
(52) **U.S. Cl.**
USPC **D12/86**
(58) **Field of Classification Search**
USPC D12/86, 1, 90, 91, 92, 112, 95, 88, 434,
D12/433, 424, 93, 96, 99, 101, 102, 103,
D12/104, 105, 106, 111
CPC A61G 3/066; B60K 1/04
See application file for complete search history.

(56) **References Cited**
U.S. PATENT DOCUMENTS
D253,101 S * 10/1979 Pivar D12/112
D254,968 S * 5/1980 Moore D12/112
D263,391 S * 3/1982 Pivar D12/112
4,461,609 A * 7/1984 Zinno A61G 3/066
180/907
D342,699 S * 12/1993 Miyamoto D12/1
D342,701 S * 12/1993 Murata D12/1

D419,490 S * 1/2000 Hofer D12/93
D442,119 S * 5/2001 Murata D12/86
D602,398 S * 10/2009 Imbert D12/14
D663,242 S * 7/2012 Zhang D12/110
D730,774 S * 6/2015 Bruce D12/86
D788,641 S * 6/2017 Arnold D12/86
D794,508 S * 8/2017 Watanuki D12/86
D807,786 S * 1/2018 Beiling D12/86
2013/0180788 A1 * 7/2013 Jin B60K 1/04
180/65.1

* cited by examiner
Primary Examiner — Susan E Krakower
Assistant Examiner — Jerry Shiuan-Hua Hsu
(74) *Attorney, Agent, or Firm* — Studebaker & Brackett
PC

(57) **CLAIM**
The ornamental design for an electric motor vehicle, as
shown and described.

DESCRIPTION
FIG. 1 is a front, left, top perspective view of the electric
motor vehicle, showing our new design;
FIG. 2 is a rear, right, top perspective view thereof;
FIG. 3 is a left side view, the right side view being a mirror
image thereof;
FIG. 4 is a rear view thereof;
FIG. 5 is a front view thereof;
FIG. 6 is a top view thereof;
FIG. 7 is a bottom view thereof;
FIG. 8 is a front, left, top perspective view thereof, showing
the vehicle with the seat and armrests in an alternate
configuration; and,
FIG. 9 is a front, left, top perspective view thereof, showing
the vehicle with the armrests in an alternate configuration.
The broken lines set forth in FIG. 7 illustrate portions of the
electric vehicle that form no part of the claimed design.

1 Claim, 9 Drawing Sheets

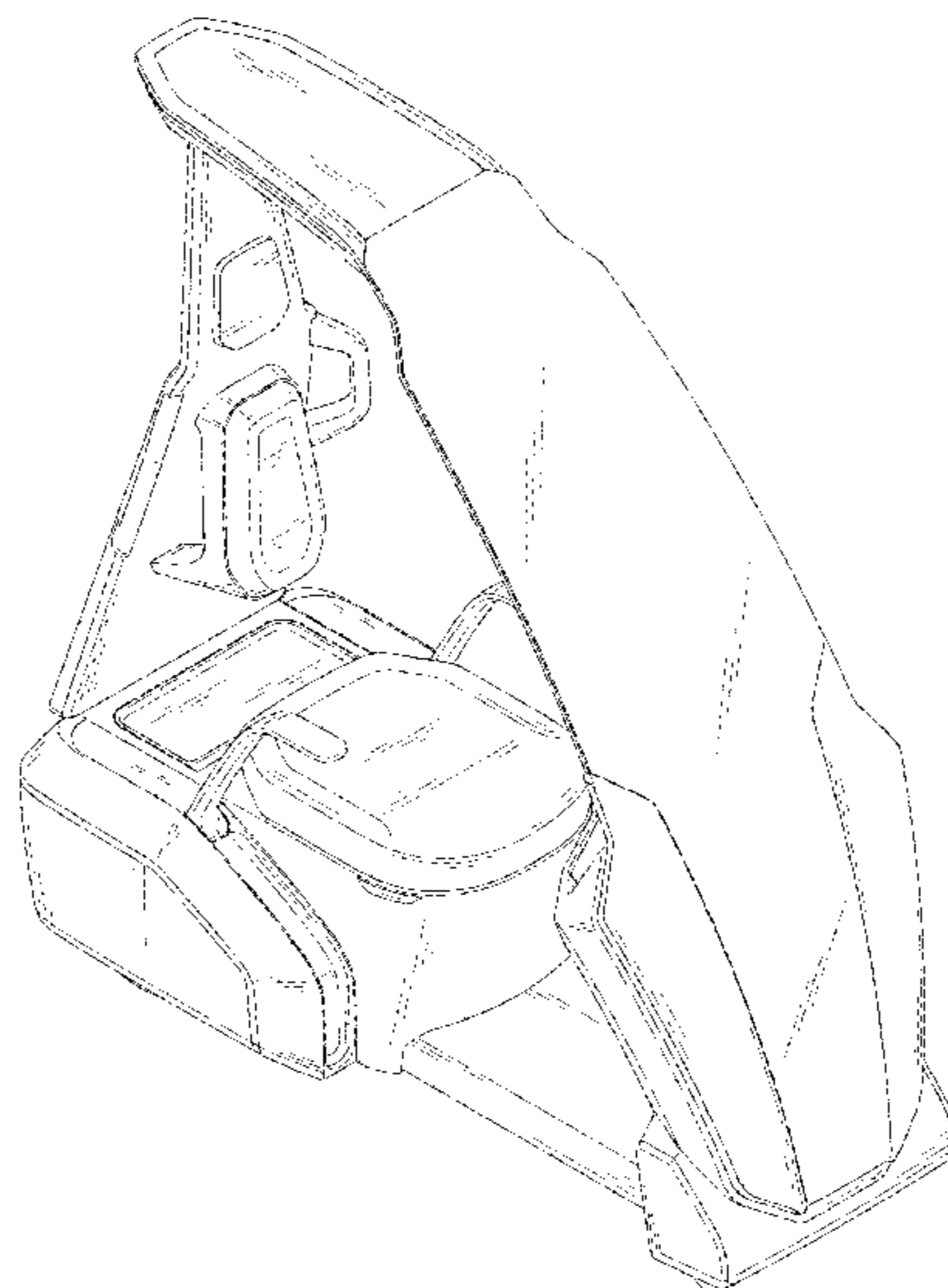


Fig.1

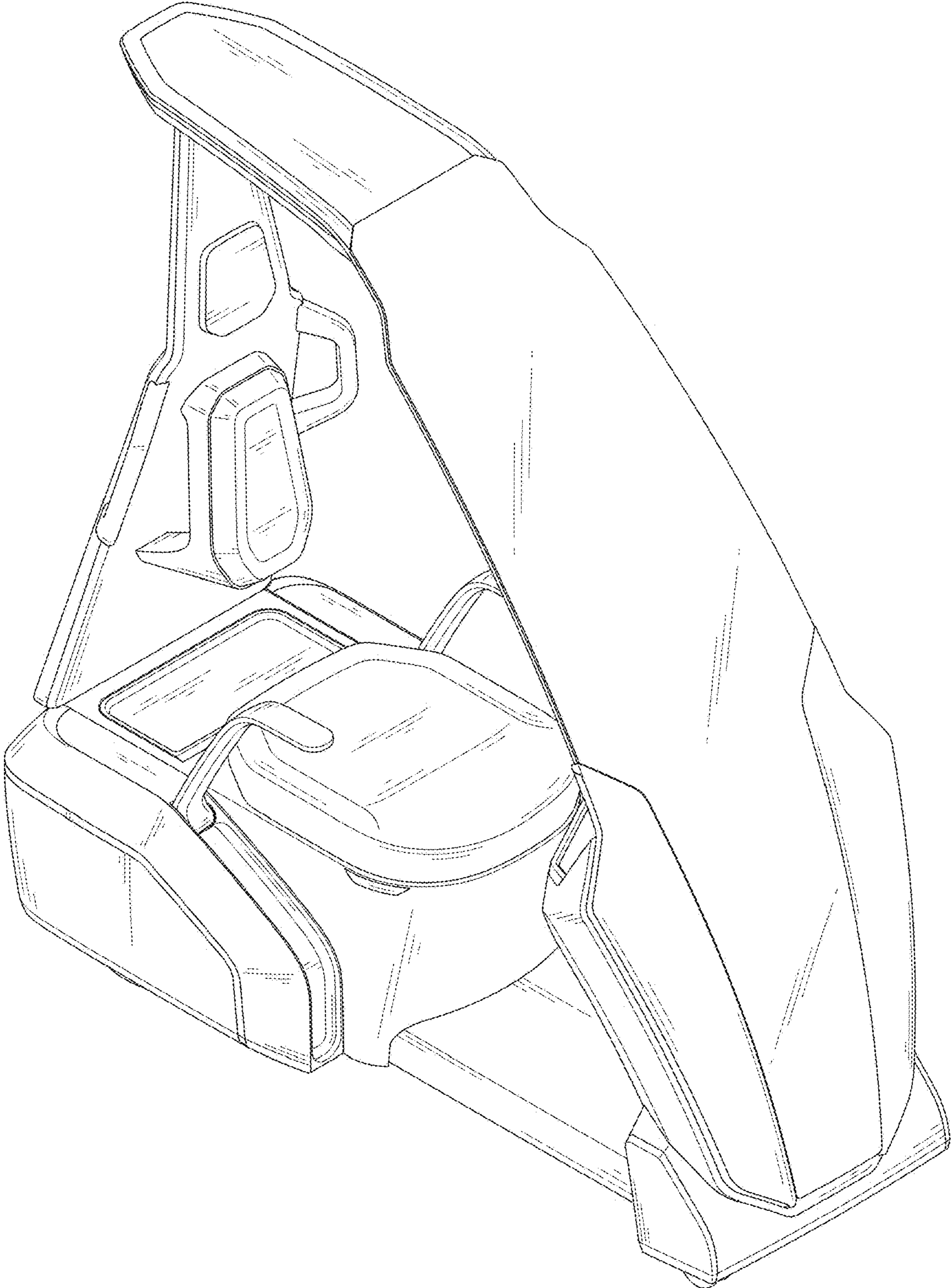


Fig.2

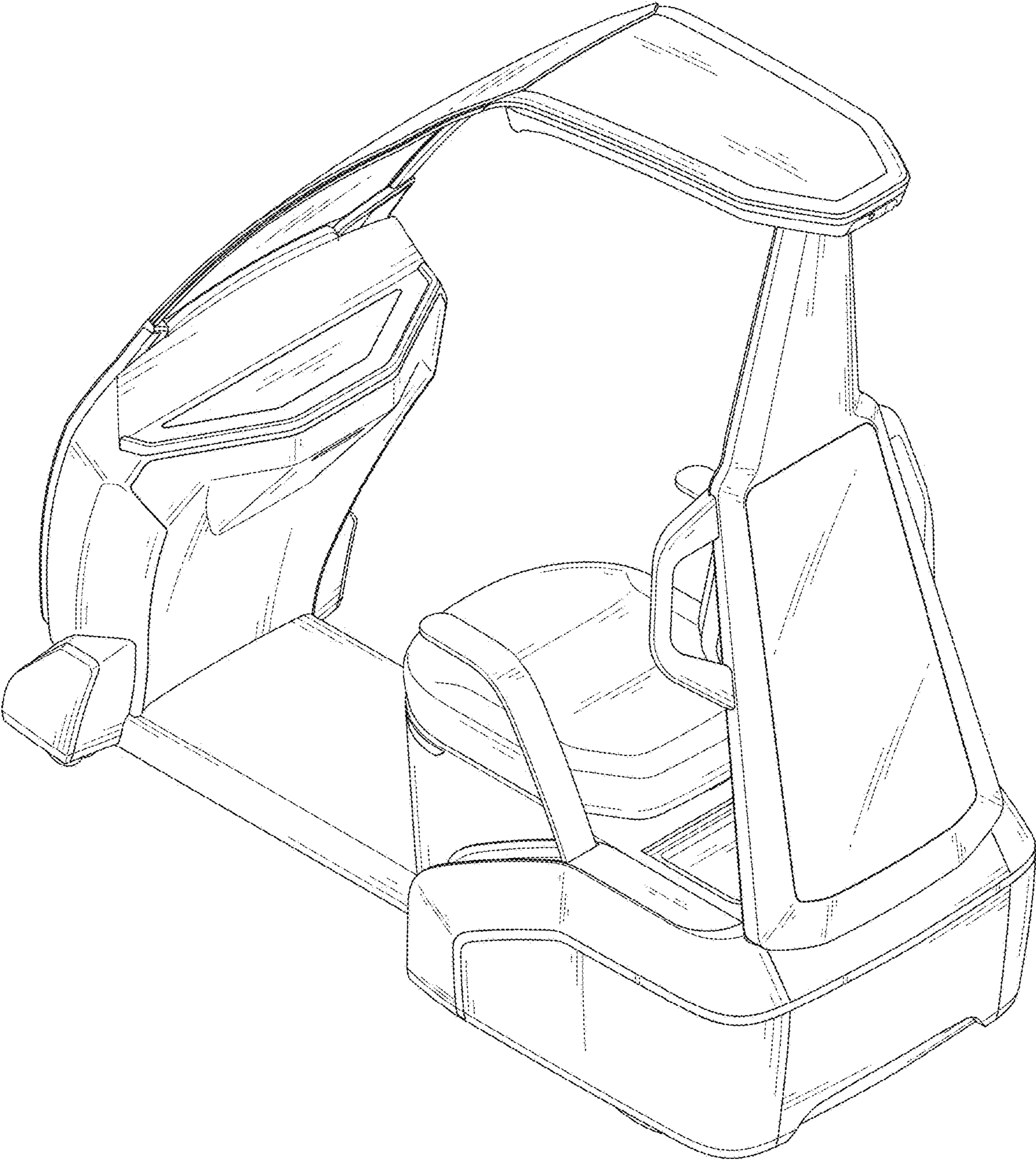


Fig.3

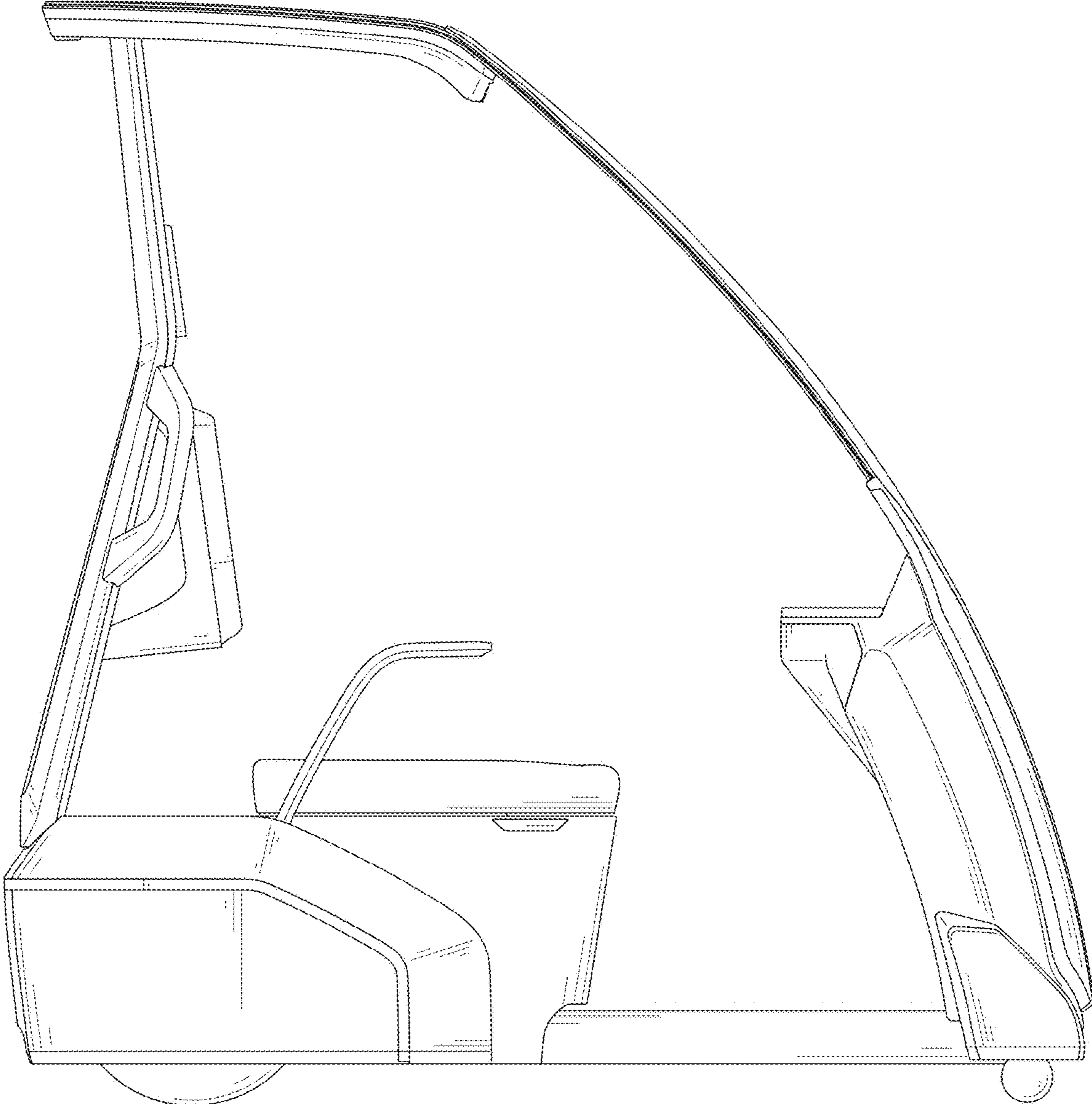


Fig.4

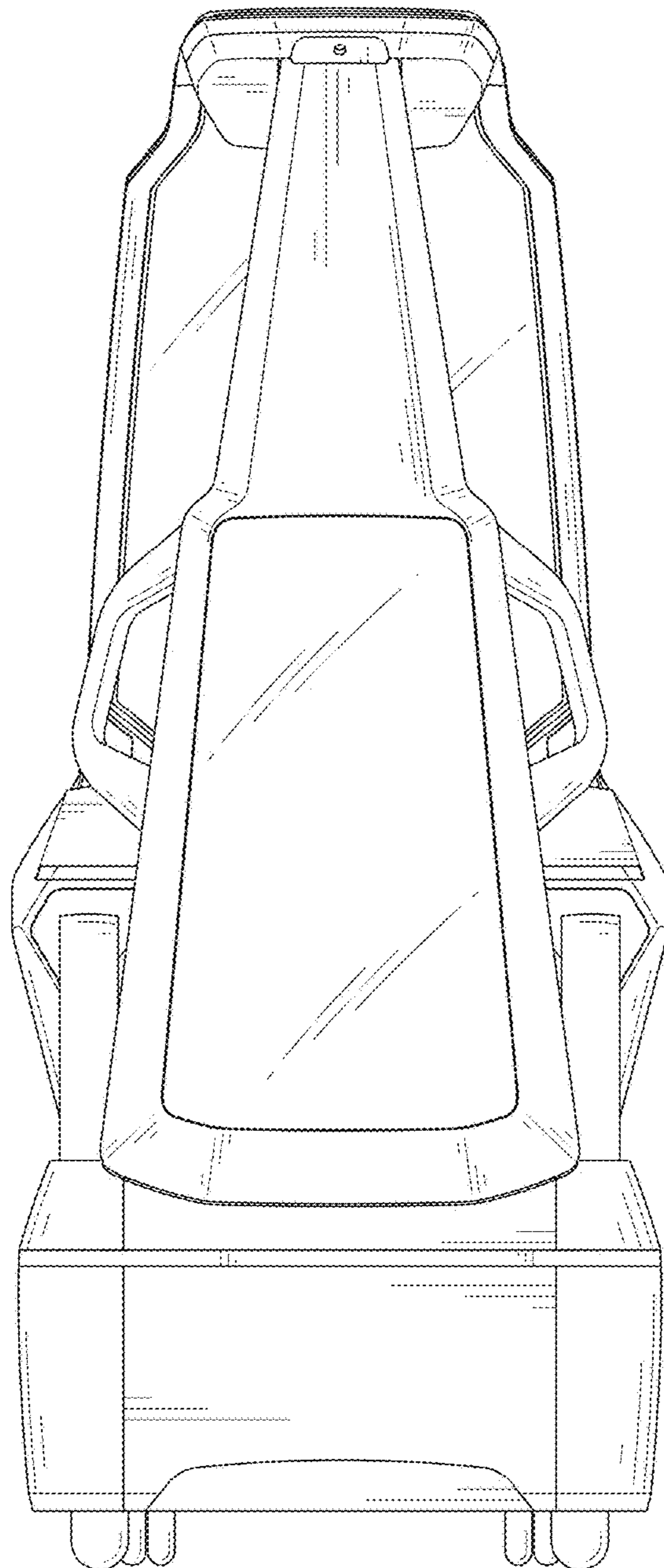


Fig.5

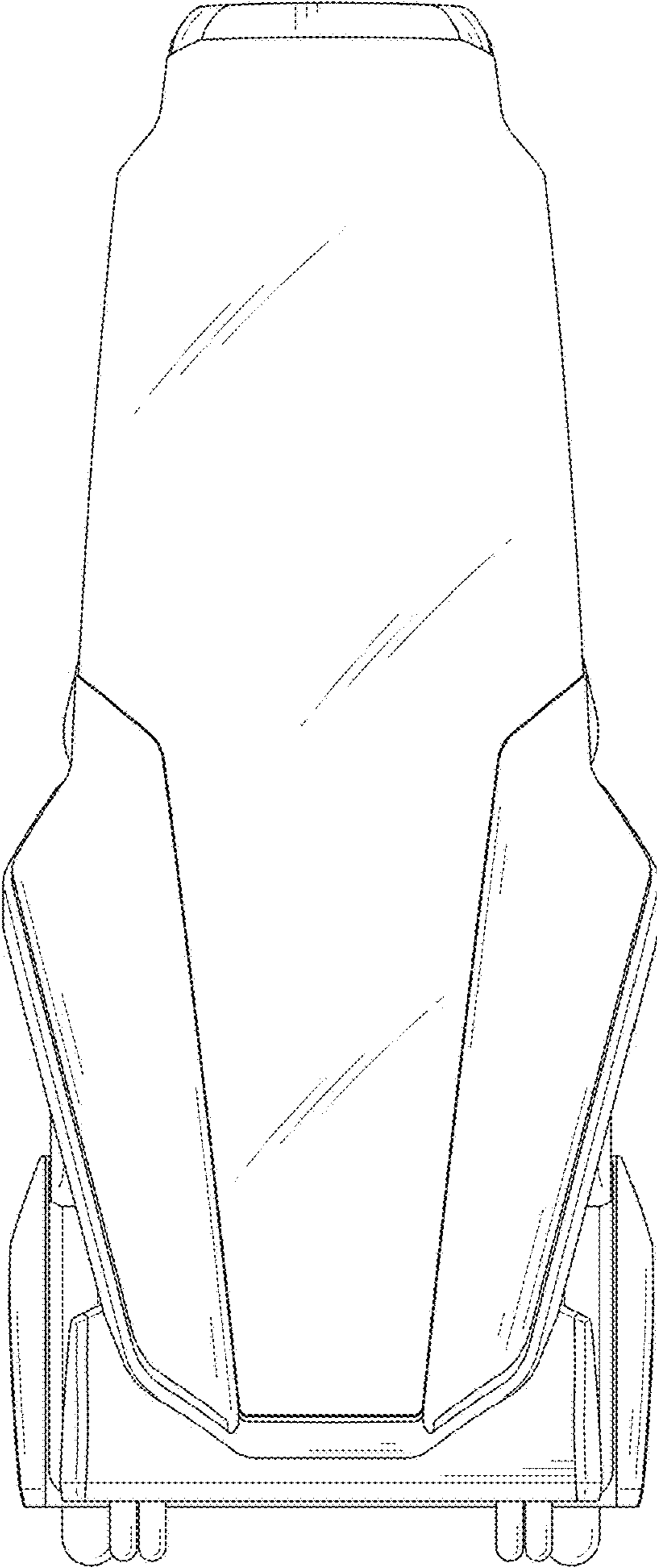


Fig.6

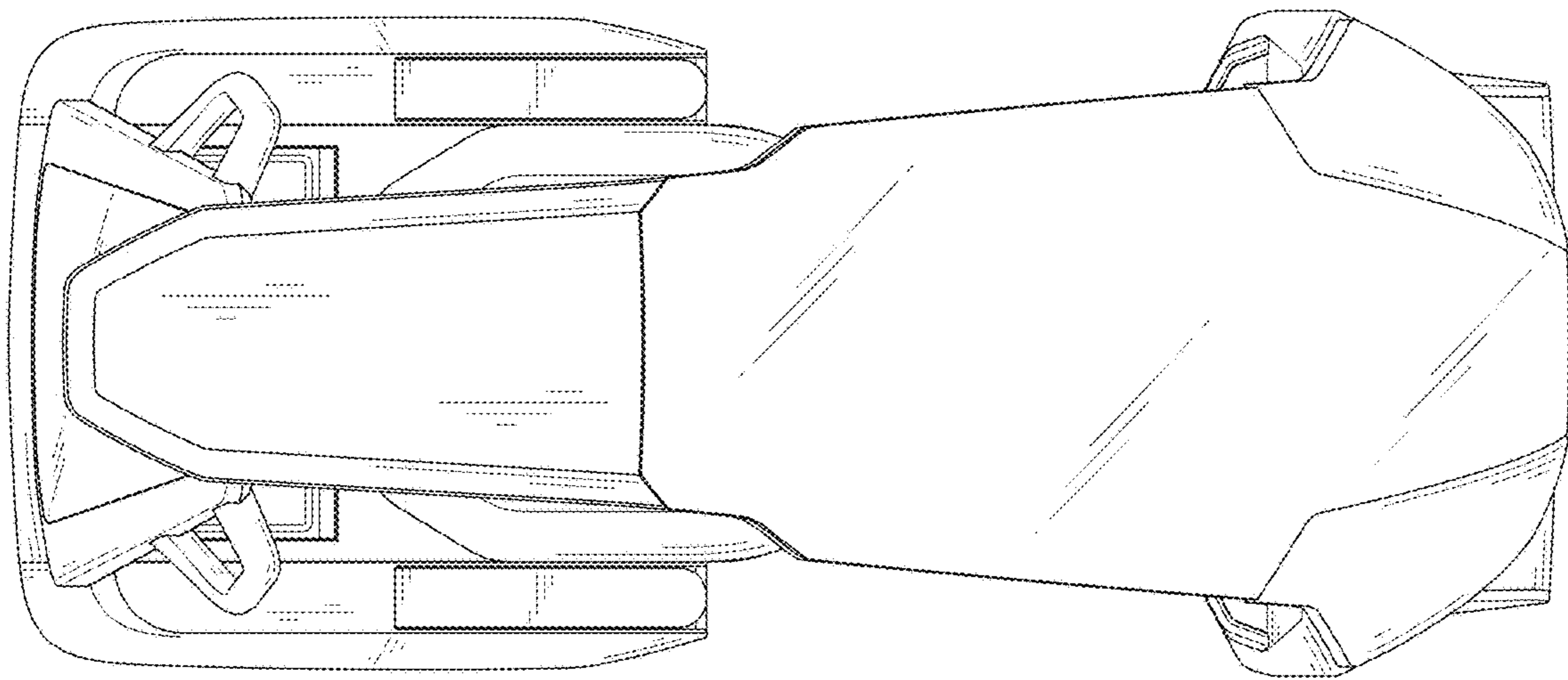


Fig.7

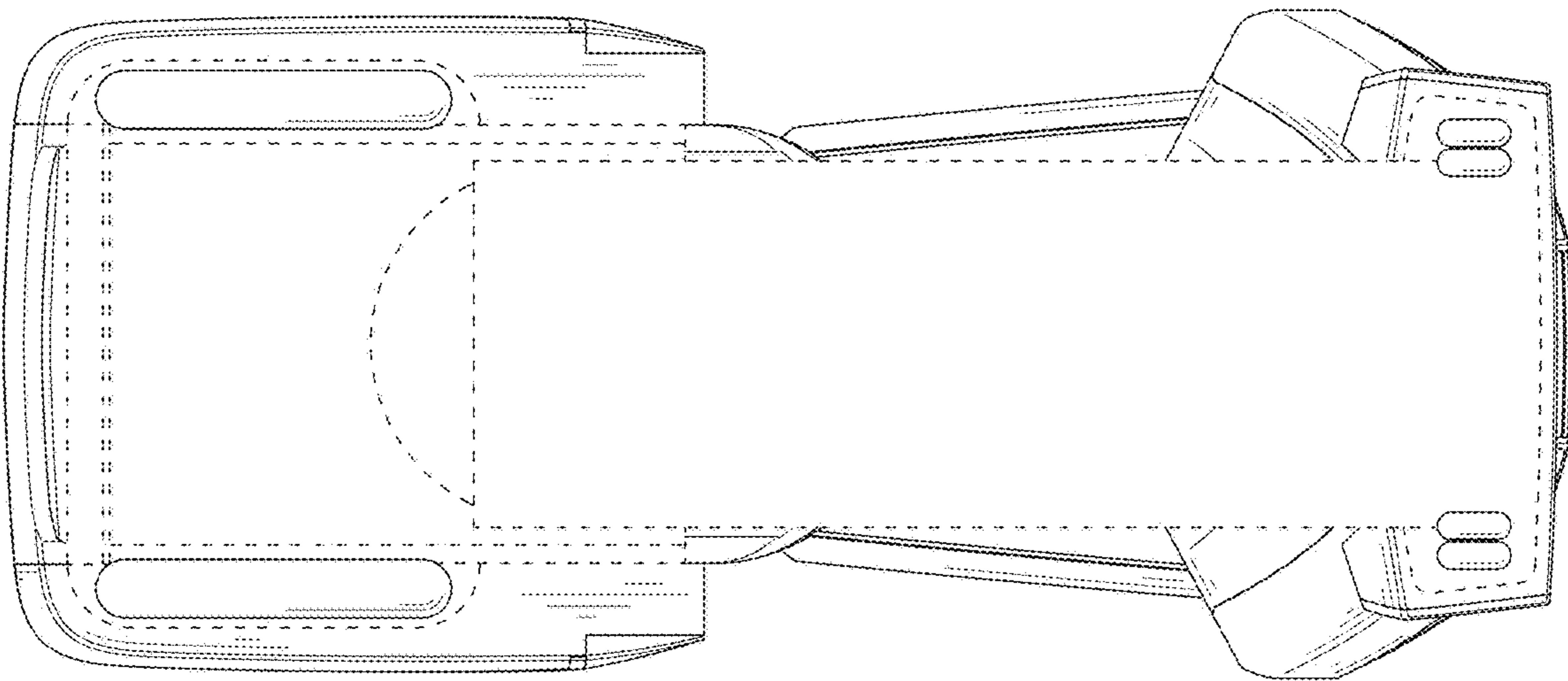


Fig.8

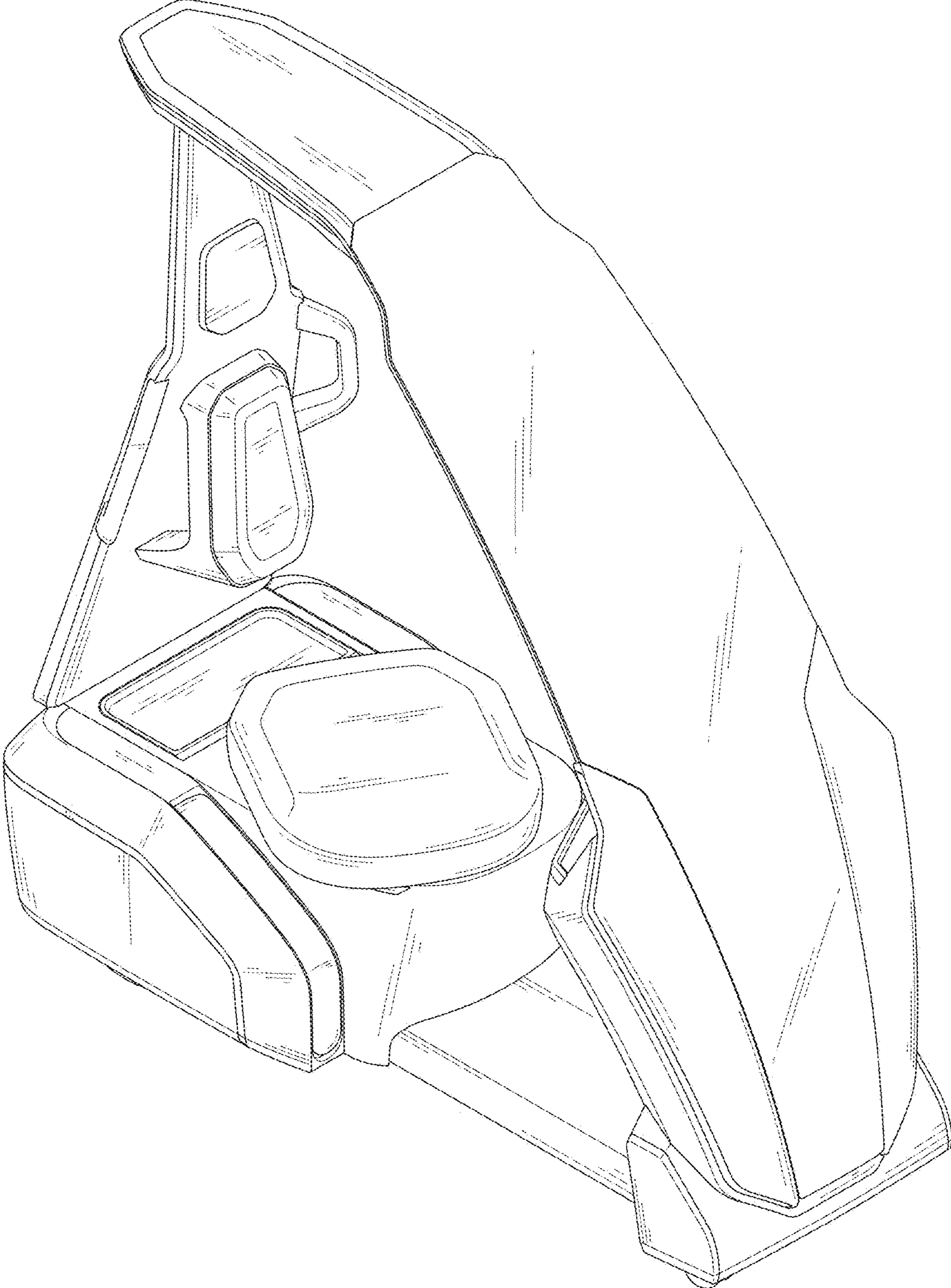


Fig.9

