

US00D867205S

(12) **United States Design Patent**  
**Hu et al.**

(10) **Patent No.:** **US D867,205 S**  
(45) **Date of Patent:** **\*\* Nov. 19, 2019**

- (54) **VEHICLE DASH FOR A GOLF CAR**
- (71) Applicant: **JH Global Services, Inc.**, Simpsonville, SC (US)
- (72) Inventors: **Jun Hu**, Simpsonville, SC (US);  
**Thomas Limpo**, Fort Mill, SC (US)
- (73) Assignee: **JH Global Services, Inc.**, Simpsonville, SC (US)

- D493,749 S 8/2004 Duncan
- D498,436 S 11/2004 Bonner et al.
- D498,704 S 11/2004 Bonner et al.
- D517,448 S 3/2006 Essig
- 7,240,948 B1 7/2007 Houston
- D584,187 S 1/2009 Rossello et al.
- D589,398 S 3/2009 Tuo
- D591,659 S \* 5/2009 Dubanowski ..... D12/192
- D600,593 S 9/2009 Hanson et al.
- 7,585,010 B2 9/2009 Hardy et al.
- D606,899 S 12/2009 Gal et al.
- D617,681 S 6/2010 Tuo

(\*\*) Term: **15 Years**

(21) Appl. No.: **29/592,071**

(22) Filed: **Jan. 26, 2017**

(51) **LOC (12) Cl.** ..... **12-02**

(52) **U.S. Cl.**  
USPC ..... **D12/16**

(58) **Field of Classification Search**  
USPC ..... D12/14, 1, 87, 86, 433, 15, 16, 107, 82,  
D12/88, 89, 90, 91, 92, 93  
CPC .... B60R 2011/0005; B60R 2011/0003; B60N  
3/101; B60N 3/105; B62D 21/183; B62D  
31/003; B60L 2200/22  
See application file for complete search history.

(56) **References Cited**

**U.S. PATENT DOCUMENTS**

- D226,079 S 1/1973 Gifford
- 3,777,836 A 12/1973 Riza
- D242,439 S 11/1976 Gervais
- D255,111 S 5/1980 Palmer
- D275,380 S 9/1984 Flowers, Sr.
- D301,128 S 5/1989 Simon
- 4,852,898 A 8/1989 Donoghue et al.
- D337,553 S 7/1993 Valentine et al.
- 5,727,642 A 3/1998 Abbott
- 5,788,524 A 8/1998 Davis
- D437,364 S 2/2001 Jang
- D464,289 S 10/2002 Jager
- D464,913 S 10/2002 Cerny, Jr. et al.

(Continued)

*Primary Examiner* — T Chase Nelson

*Assistant Examiner* — Ania Aman

(74) *Attorney, Agent, or Firm* — Dority & Manning, P.A.

(57) **CLAIM**

The ornamental design of a vehicle dash for a golf car, as shown and described.

**DESCRIPTION**

FIG. 1 is a perspective view of the vehicle dash for a golf car, shown in its intended environment of incorporated into a golf car.

FIG. 2 is a front elevation view of the vehicle dash for a golf car.

FIG. 3 is a rear elevation view of the vehicle dash for a golf car.

FIG. 4 is a left side (driver's side) elevation view of the vehicle dash for a golf car.

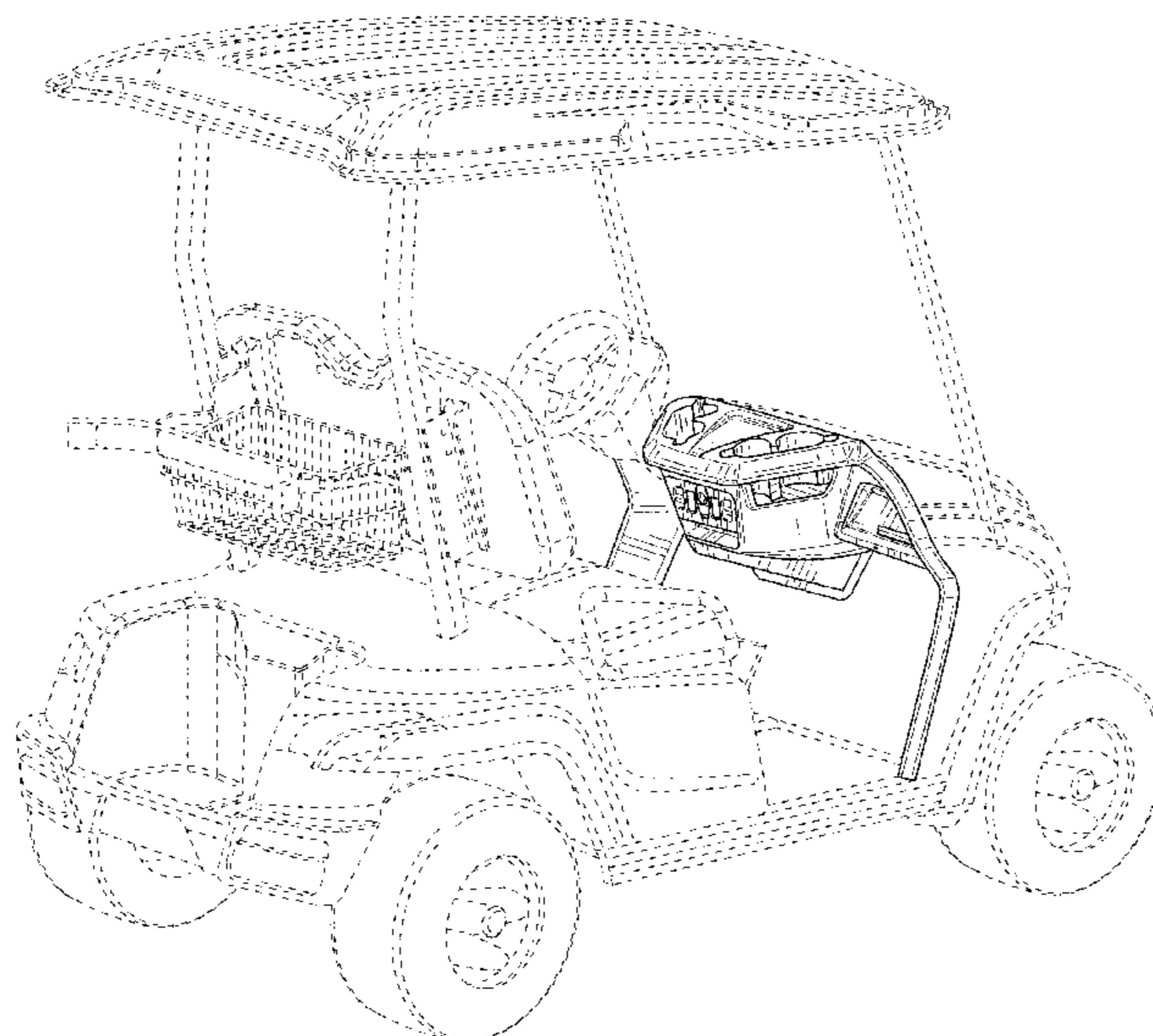
FIG. 5 is a right side (passenger's side) elevation view of the vehicle dash for a golf car.

FIG. 6 is a top plan view of the vehicle dash for a golf car; and,

FIG. 7 is a bottom plan view of the vehicle dash for a golf car.

The broken lines shown illustrate environmental structure and form no part of the claimed design.

**1 Claim, 6 Drawing Sheets**



(56)

**References Cited**

U.S. PATENT DOCUMENTS

D639,711	S	6/2011	Chartrand	
7,954,838	B1	6/2011	Long	
D646,201	S	10/2011	Zhang	
D652,349	S	1/2012	Kristensen	
D694,669	S	12/2013	Schwenk	
D746,174	S	12/2015	Storms	
D753,021	S	4/2016	Allen	
2002/0195831	A1*	12/2002	Hogan .....	B60N 3/08 296/37.12
2004/0009329	A1*	1/2004	Whitaker .....	B60N 3/046 428/141
2005/0224539	A1	10/2005	Hardy et al.	
2006/0151224	A1	7/2006	Vasser	
2006/0180383	A1	8/2006	Bataille et al.	
2006/0230869	A1	10/2006	Cosby et al.	
2007/0007315	A1*	1/2007	Hanson .....	B60N 3/107 224/274
2007/0252361	A1*	11/2007	Houston .....	B60D 1/00 280/515
2008/0179860	A1*	7/2008	Bell .....	B60D 1/01 280/292
2010/0314179	A1	12/2010	Gibson	
2013/0105532	A1*	5/2013	Lorenzana .....	B60N 2/24 224/274

\* cited by examiner

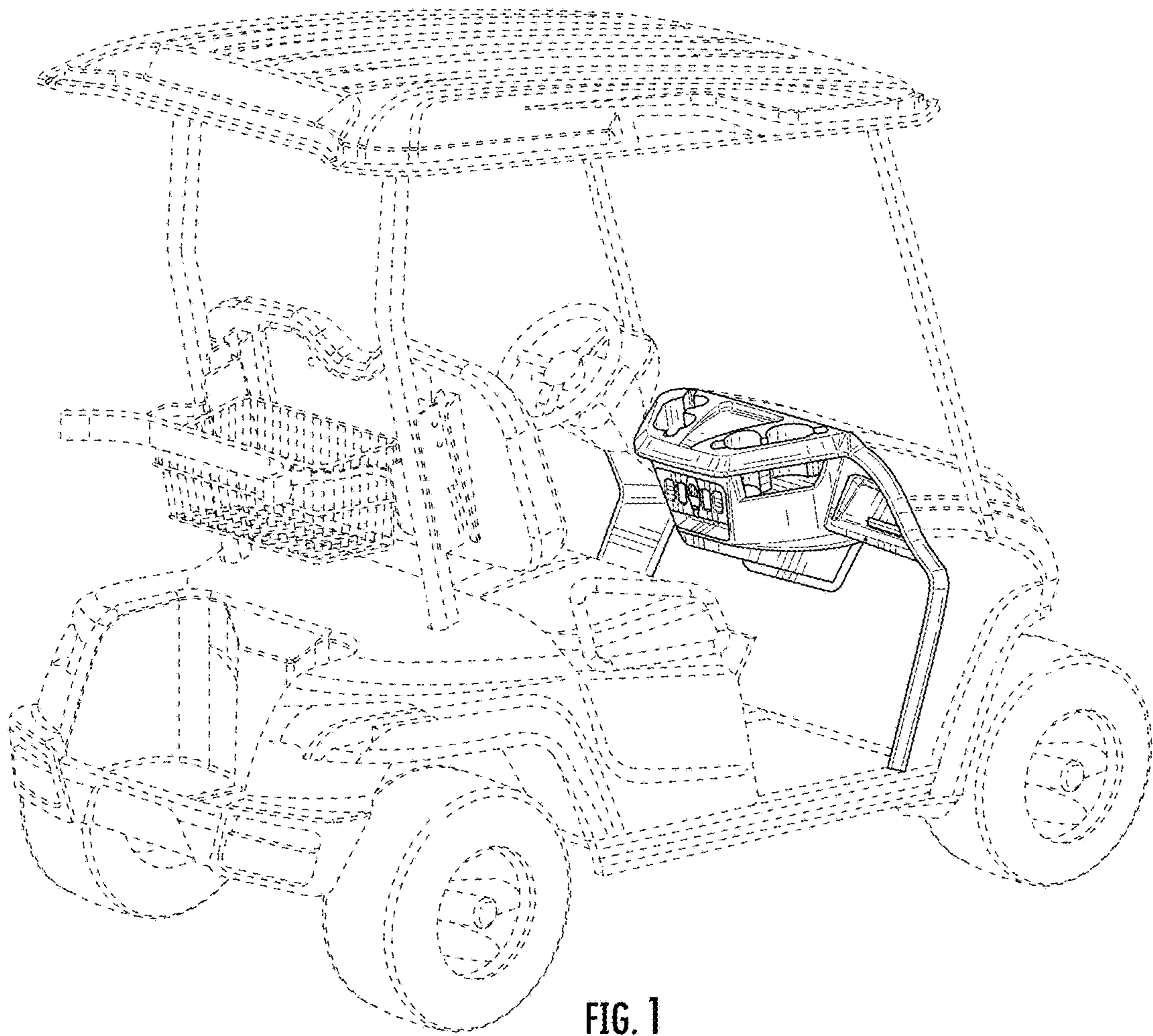


FIG. 1



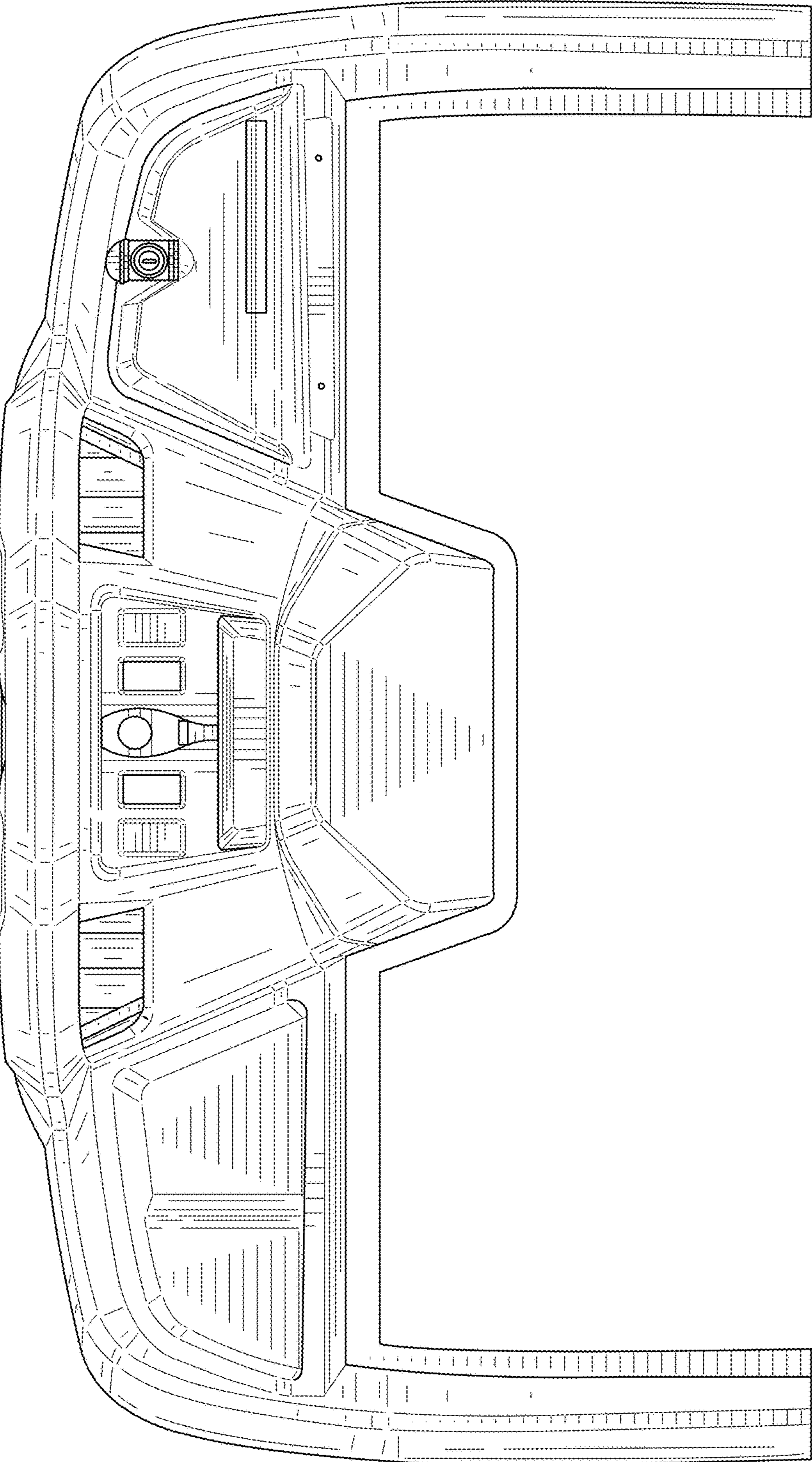


FIG. 2

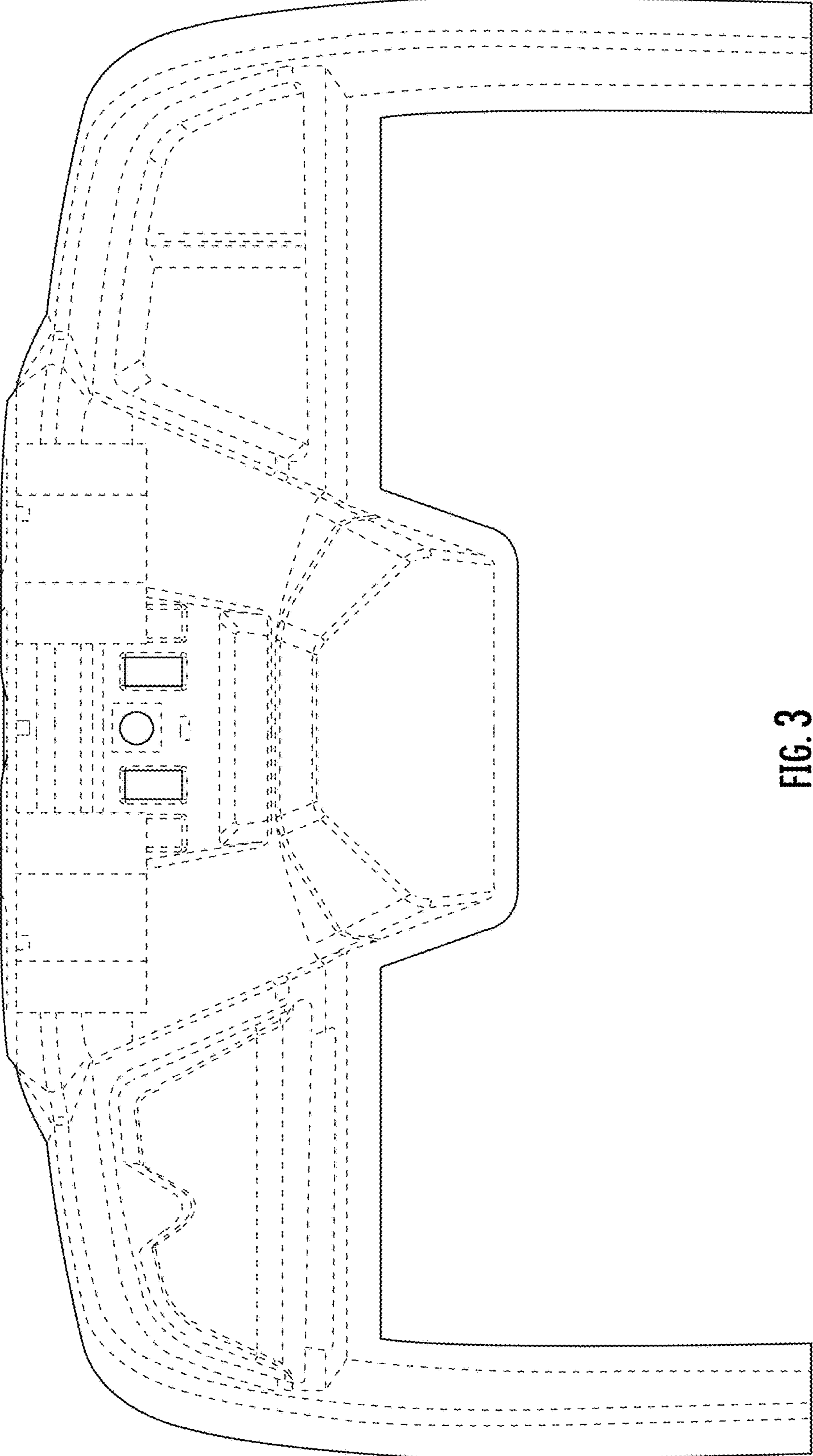


FIG. 3

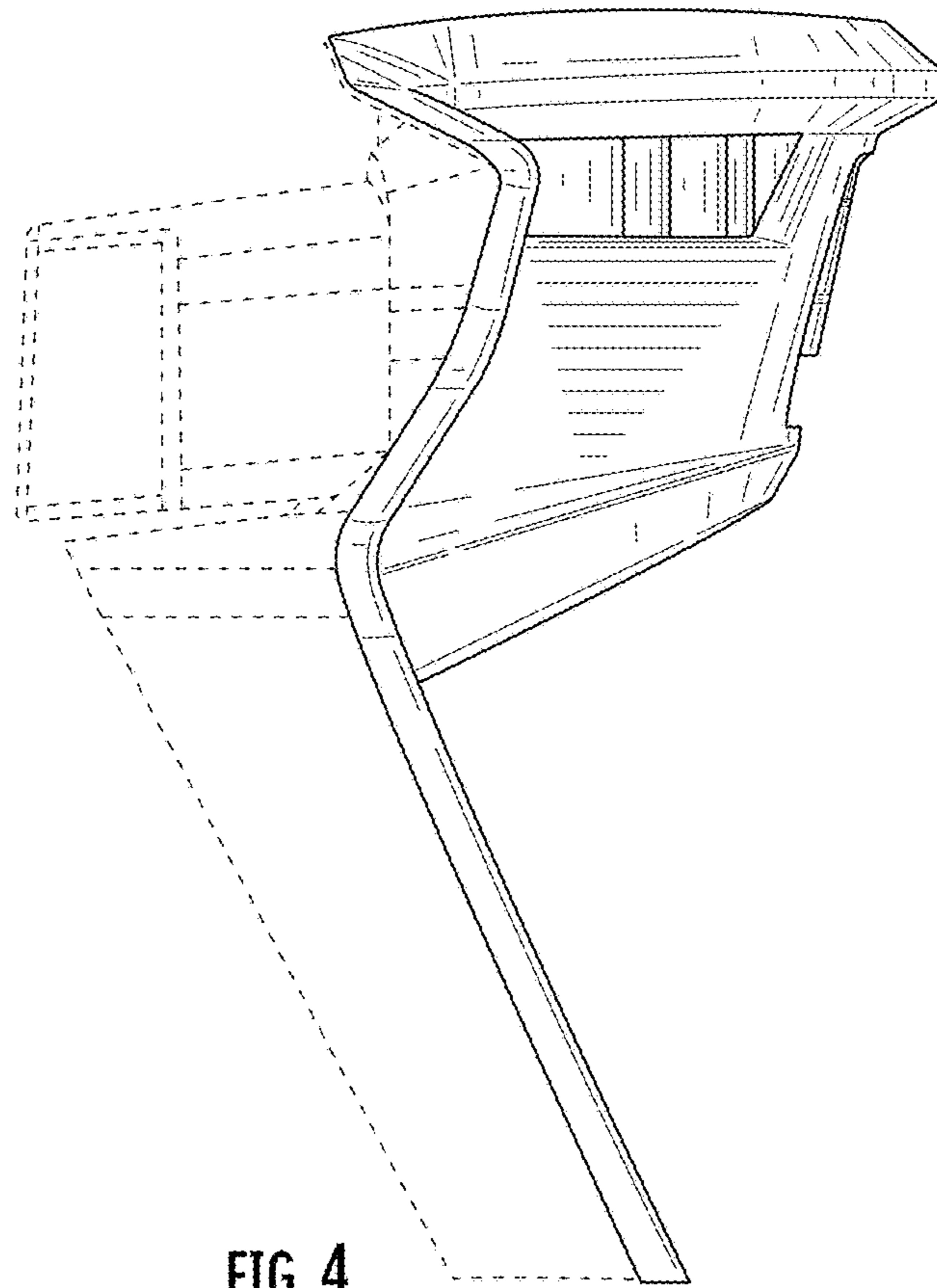


FIG. 4

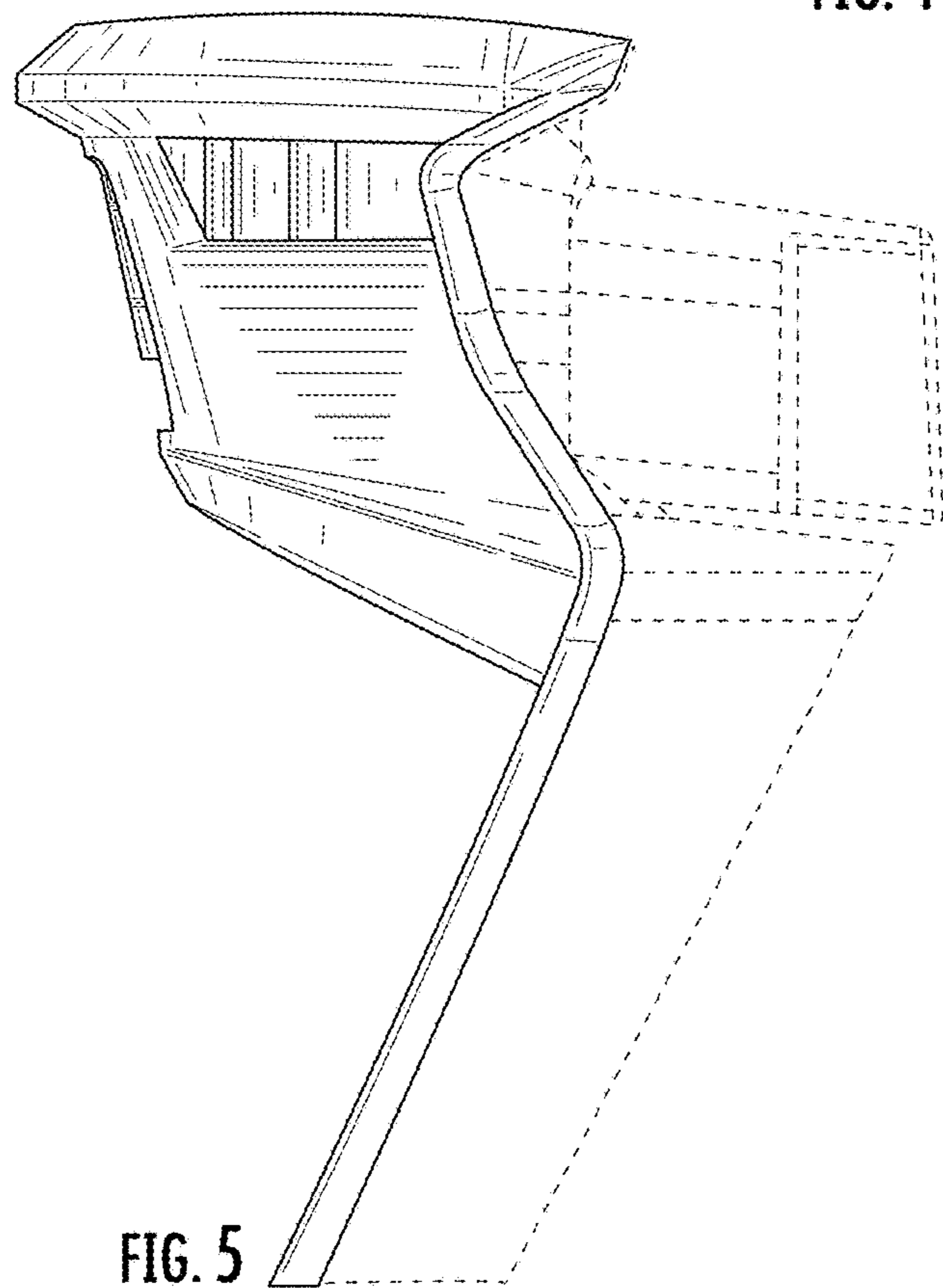


FIG. 5

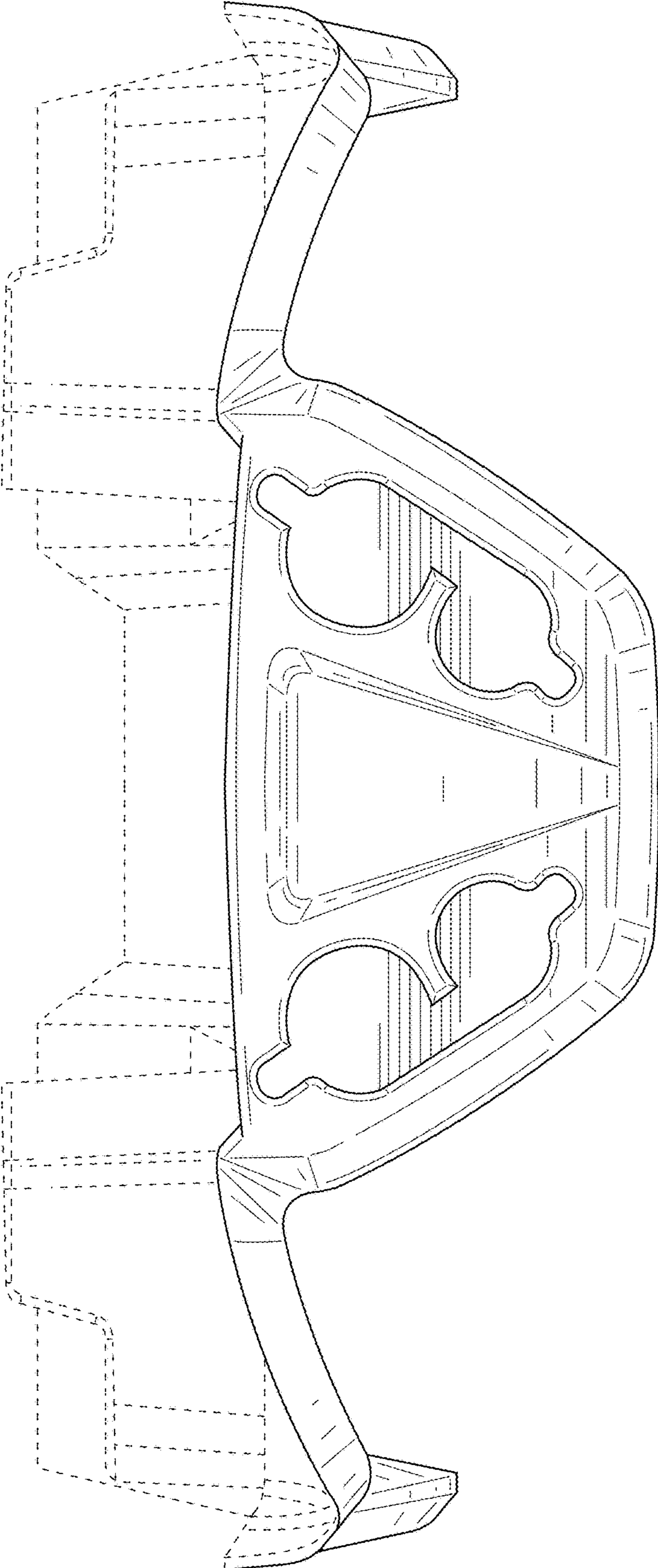


FIG. 6



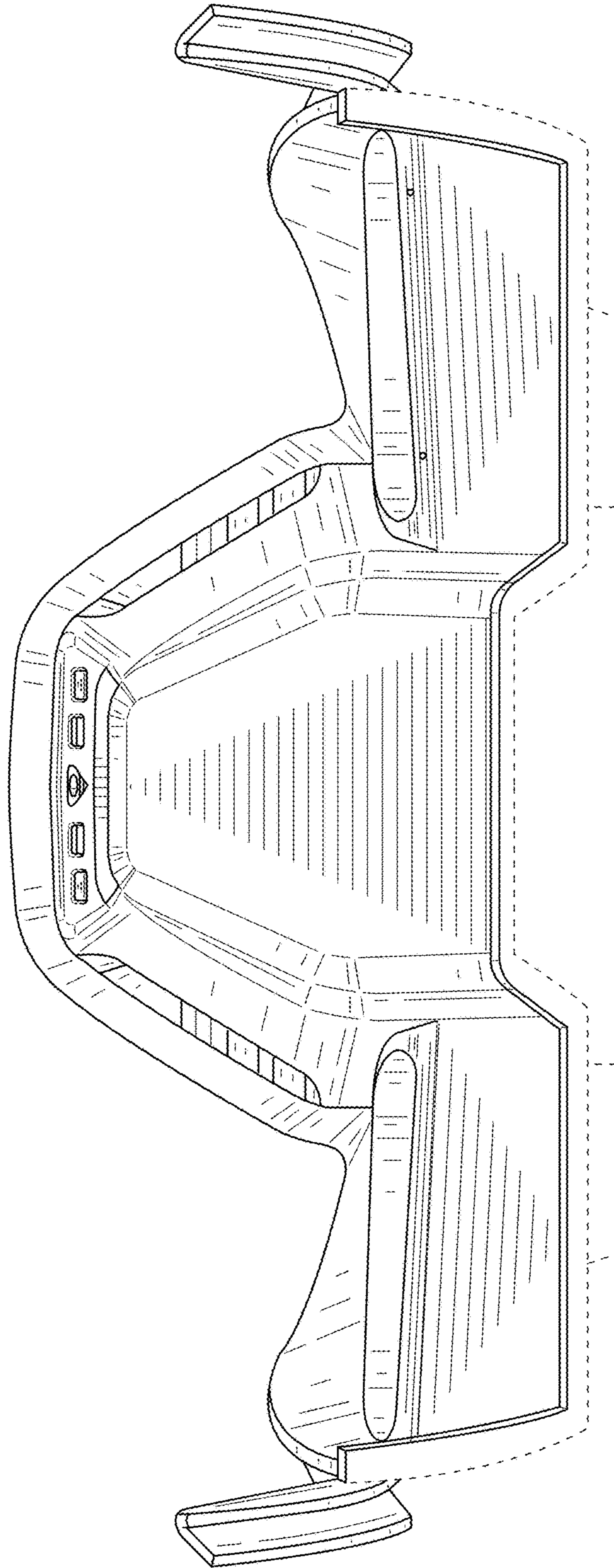


FIG. 7