

US00D867204S

(12) **United States Design Patent**  
**Halverson**

(10) **Patent No.:** **US D867,204 S**

(45) **Date of Patent:** **\*\* Nov. 19, 2019**

(54) **MINIATURE STEAMBOAT MEMENTO**

(71) Applicant: **Daryll Halverson**, Eloy, AZ (US)

(72) Inventor: **Daryll Halverson**, Eloy, AZ (US)

(\*\*) Term: **15 Years**

(21) Appl. No.: **29/611,103**

(22) Filed: **Jul. 18, 2017**

(51) **LOC (12) Cl.** ..... **11-02**

(52) **U.S. Cl.**  
USPC ..... **D11/163; D21/543**

(58) **Field of Classification Search**  
USPC ..... D11/40, 43, 44, 72, 79, 81, 112, 131,  
D11/138, 141, 163, 184; D21/542-546,  
D21/833; D20/35; D12/300, 306;  
D22/126, 129, 130, 132; 114/242, 138;  
440/90

CPC ..... B63H 5/02; A63H 23/04  
See application file for complete search history.

(56) **References Cited**

**U.S. PATENT DOCUMENTS**

254,878	A *	3/1882	Little	.....	B63B 35/70
					114/246
618,555	A *	1/1899	Belz	.....	B63H 16/18
					416/173
1,540,259	A *	6/1925	Dravo	.....	B63H 5/02
					440/90
1,643,918	A *	9/1927	Becker	.....	A63H 33/007
					446/238
1,681,878	A *	8/1928	Prince	.....	A63H 33/16
					446/88
1,814,837	A *	7/1931	Leiber	.....	A63H 23/04
					446/164

(Continued)

**OTHER PUBLICATIONS**

Vintage Wooden Toy Paddle Wheel Boat, Rubber Band Powered, available Mar. 8, 2019, [online], [site visited Jun. 3, 2019]. Avail-

able from internet, URL: <https://www.ebay.ca/itm/264175576479> (Year: 2019).\*

(Continued)

*Primary Examiner* — W. A. Teddy Falloway  
(74) *Attorney, Agent, or Firm* — Invention To Patent Services; Alex Hobson

(57) **CLAIM**

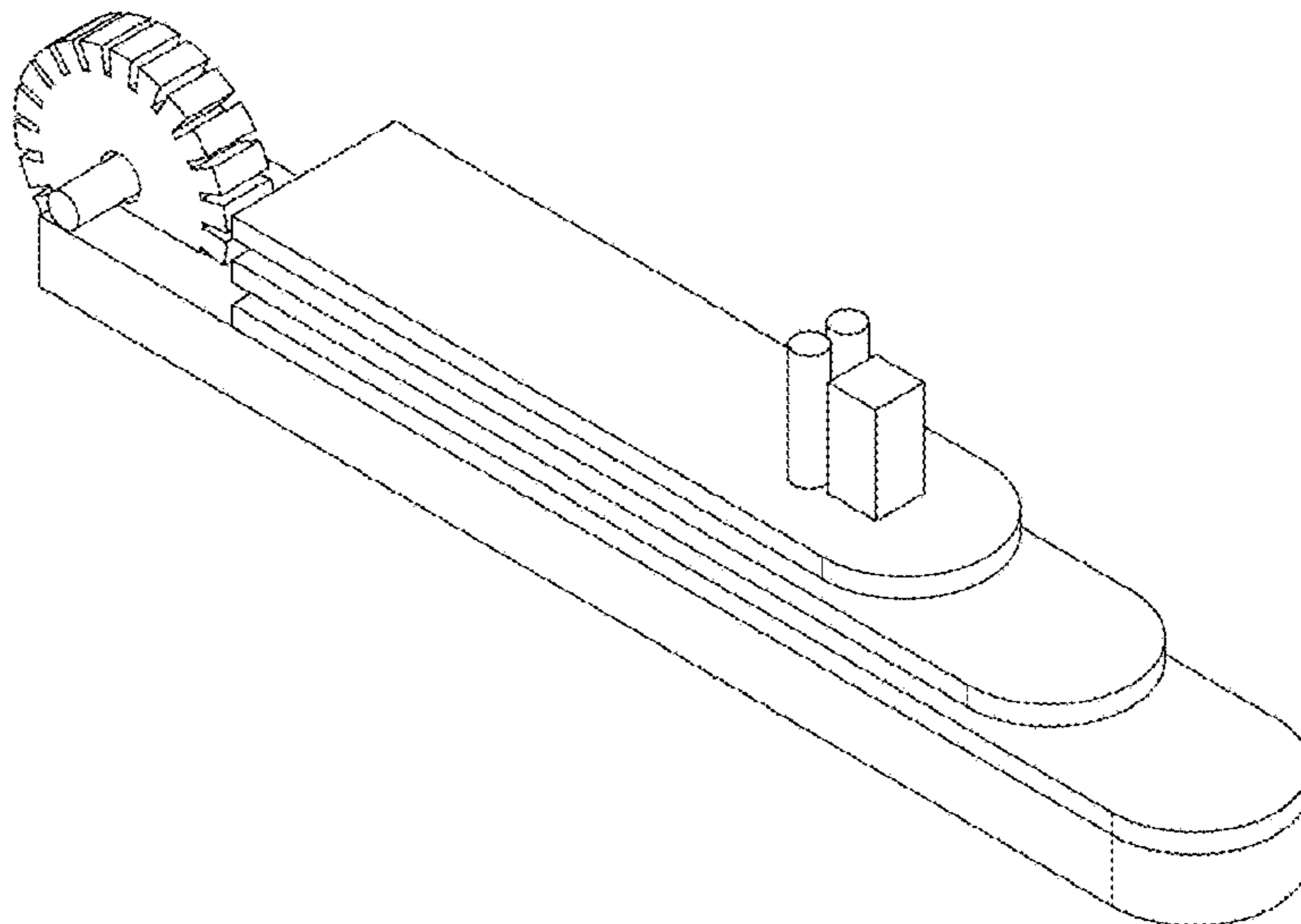
The ornamental design for a miniature steamboat memento, as shown and described.

**DESCRIPTION**

FIG. 1 is a top-right-rear perspective view of my miniature steamboat memento showing my new design; FIG. 2 is a top-left-front perspective view of the miniature steamboat memento thereof; FIG. 3 is a bottom-right-rear perspective view of the miniature steamboat memento thereof; FIG. 4 is a bottom-left-front perspective view of the miniature steamboat memento thereof; FIG. 5 is a top view of the miniature steamboat memento thereof; FIG. 6 is a bottom view of the miniature steamboat memento thereof; FIG. 7 is a left-side view of the miniature steamboat memento thereof; FIG. 8 is a rear view of the miniature steamboat memento thereof; FIG. 9 is a front view of the miniature steamboat memento thereof; and, FIG. 10 is a right-side view of the miniature steamboat memento thereof.

The miniature steamboat memento (“miniature steamboat”) is characterized by various parts including a including a paddle wheel assembly, a wheelhouse, dual smokestacks, a base, a primary deck, a secondary deck, a top deck.

**1 Claim, 10 Drawing Sheets**



(56)

References Cited

2002/0138960 A1\* 10/2002 Elliott ..... A47G 33/004  
29/428

U.S. PATENT DOCUMENTS

2,294,104 A \* 8/1942 Waddington ..... B63H 1/06  
440/90  
3,371,637 A \* 3/1968 Woodall ..... B63H 5/04  
114/58  
D253,664 S \* 12/1979 Hughes ..... D21/543  
D254,381 S \* 3/1980 Holden ..... D21/543  
4,279,603 A \* 7/1981 Harcourt ..... B60F 3/0007  
440/90  
D262,948 S \* 2/1982 Mayenschein ..... D10/12  
D266,684 S \* 10/1982 Hughes ..... D21/543  
5,785,564 A \* 7/1998 Von Ohain ..... B63H 5/02  
114/274  
5,850,801 A \* 12/1998 Grimmig ..... B63B 35/28  
114/242  
6,264,518 B1 \* 7/2001 Price ..... B63H 5/02  
114/162  
7,090,553 B1 \* 8/2006 Seiford, Sr. .... B63H 5/02  
440/90  
D784,723 S \* 4/2017 Bunch ..... D6/534

OTHER PUBLICATIONS

Vtg Wooden Paddle Wheel Steam Boat River Boat, available Apr. 19, 2019, [online], [site visited Jun. 3, 2019]. Available from internet, URL: <https://www.ebay.ca/itm/153427825397> (Year: 2019).\*

Vintage Wooden Toy Paddle Wheel Boat, Rubber Band Powered, Retro, available Jun. 3, 2019, [online], [site visited Jun. 3, 2019]. Available from internet, URL: <https://www.ebay.ca/itm/VINTAGE-WOODEN-TOY-PADDLE-WHEEL-BOAT-RUBBER-BAND-POWERED-RETRO/123783003831> (Year: 2019).\*

Paddle Wheel Boat Double Decker, available Jun. 3, 2019, [online], [site visited Jun. 3, 2019]. Available from internet, URL: <https://www.worthpoint.com/worthopedia/paddle-wheel-boat-double-decker-3-x-1-440191706> (Year: 2019).\*

\* cited by examiner

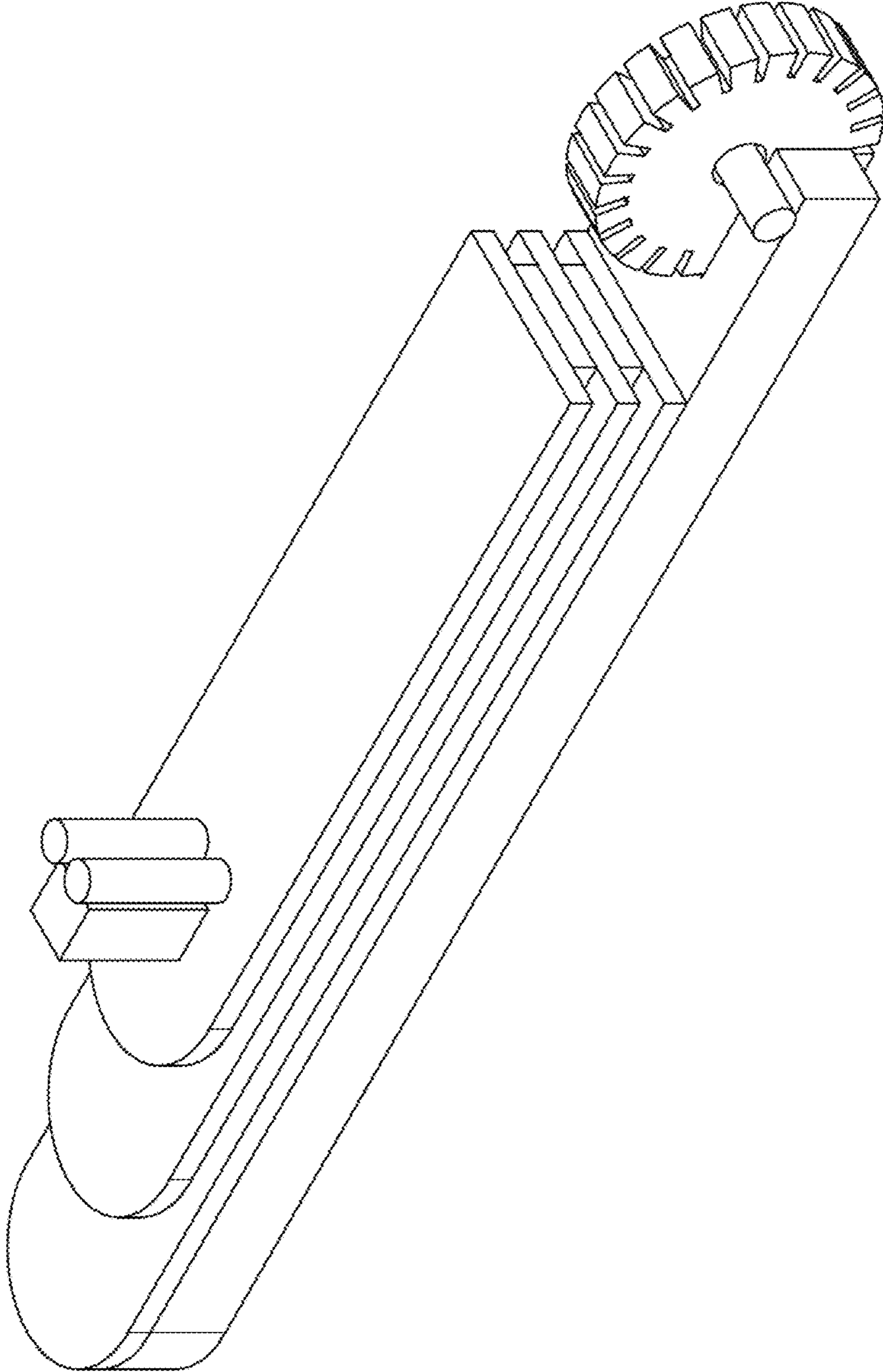


FIG. 1

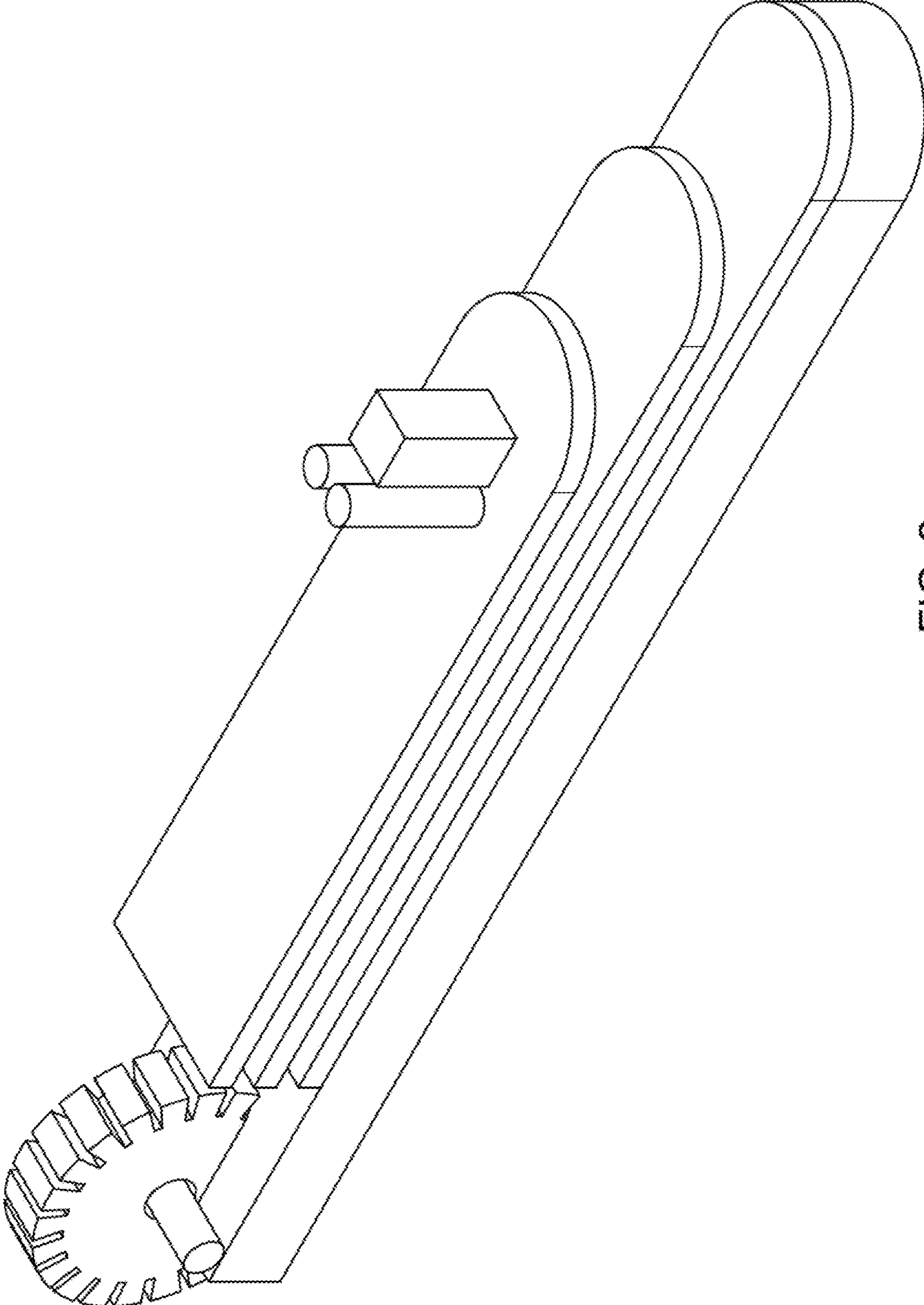


FIG. 2

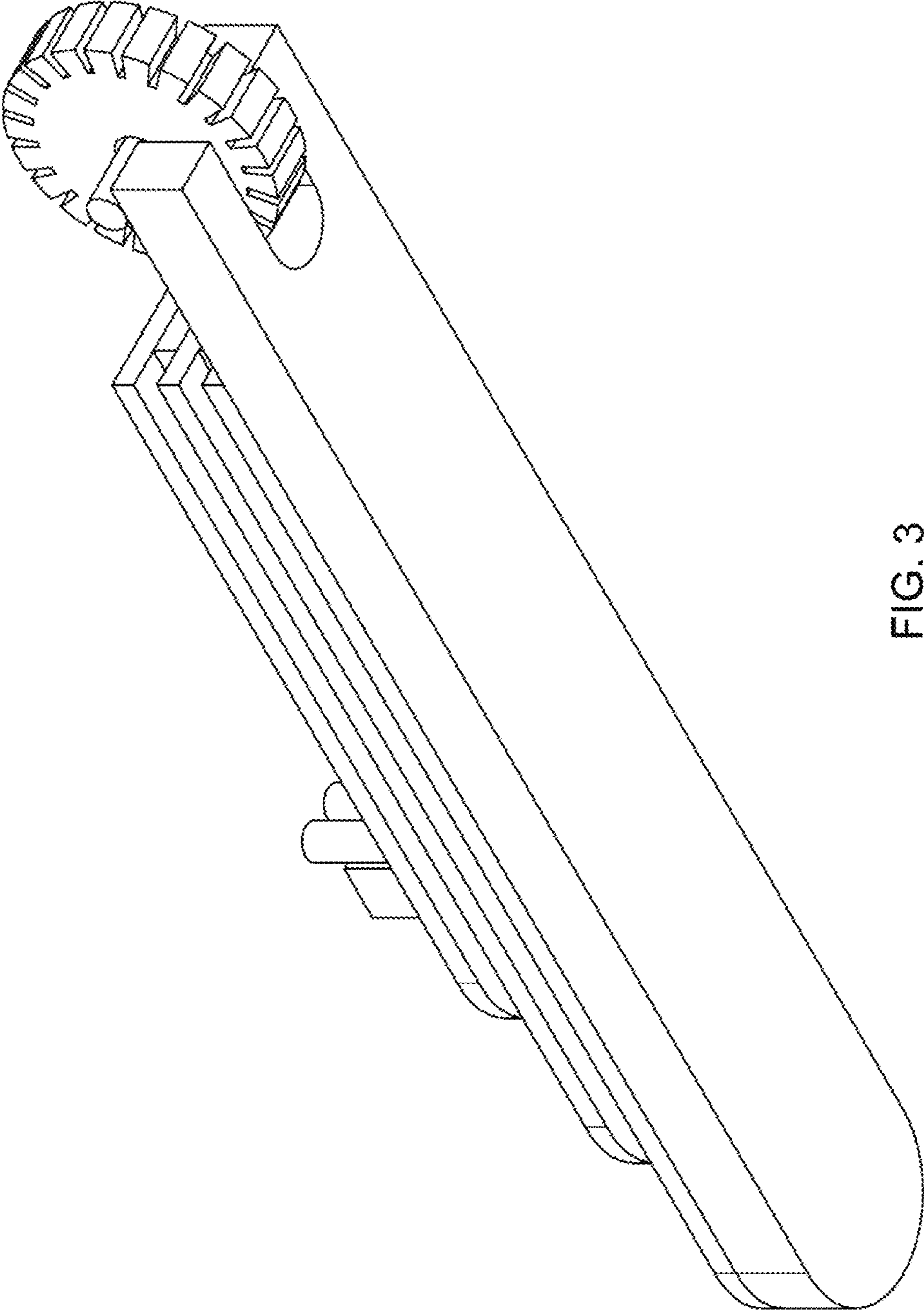


FIG. 3

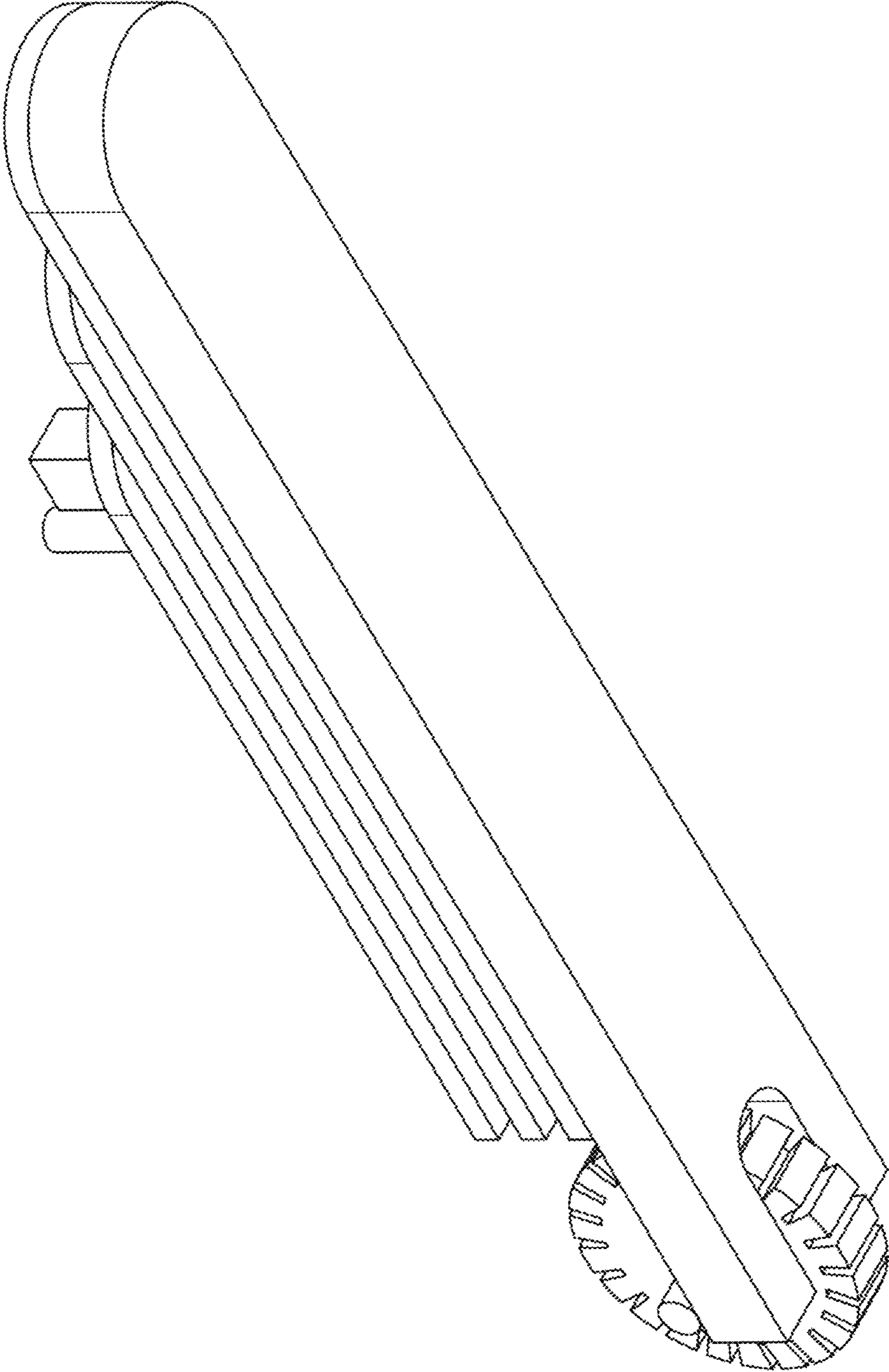


FIG. 4

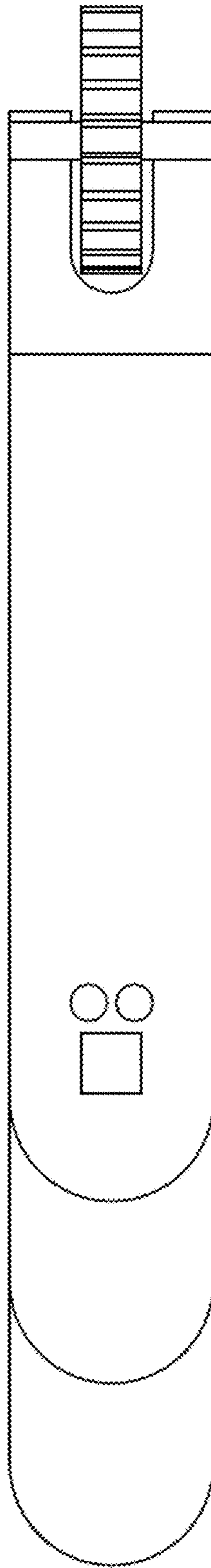


FIG. 5

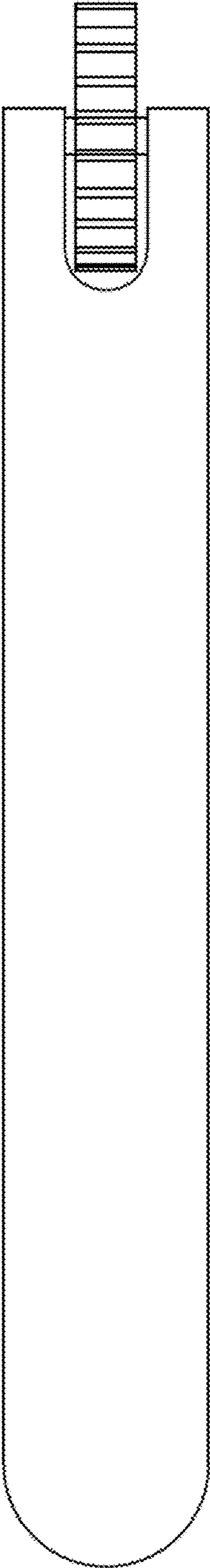


FIG. 6



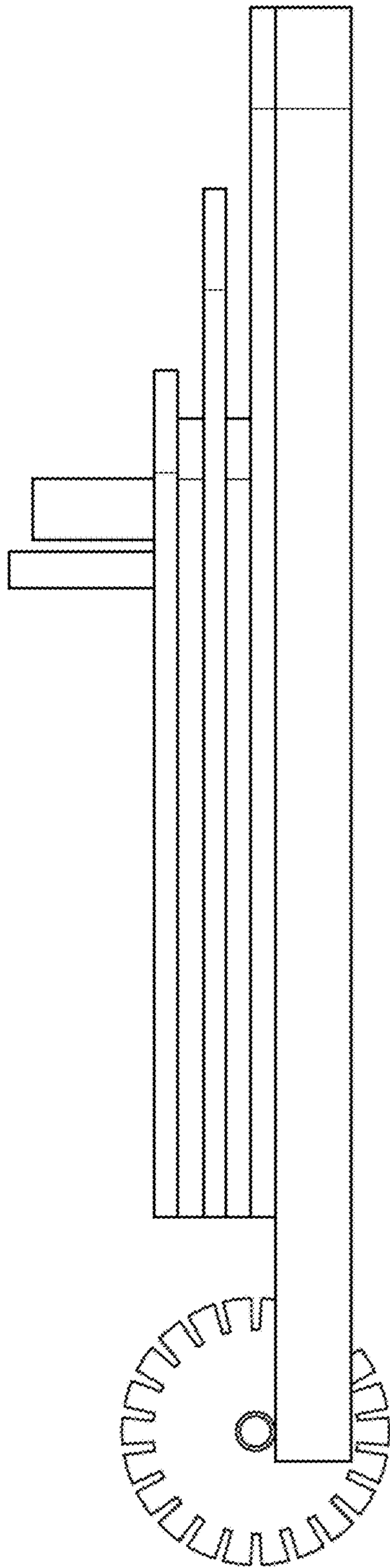


FIG. 7

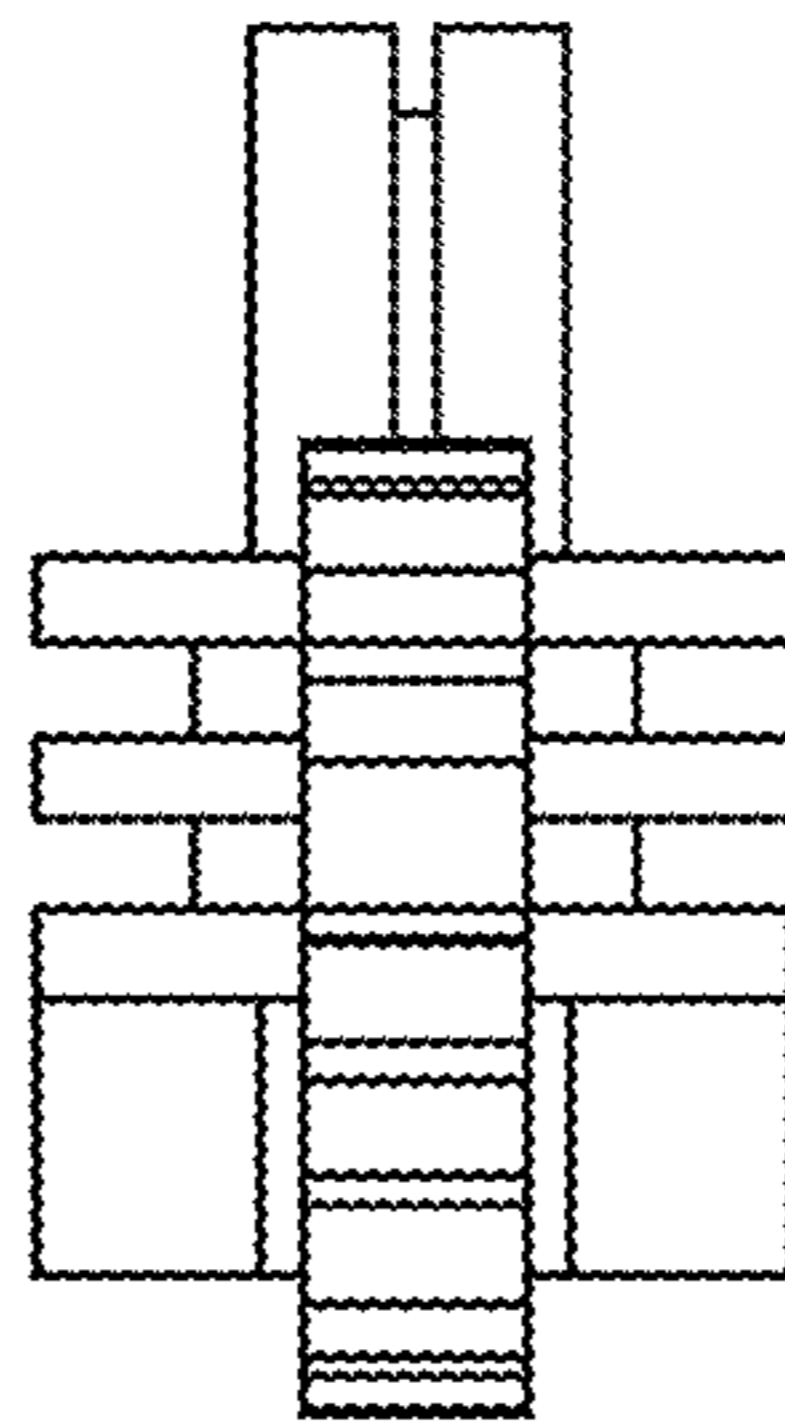


FIG. 8

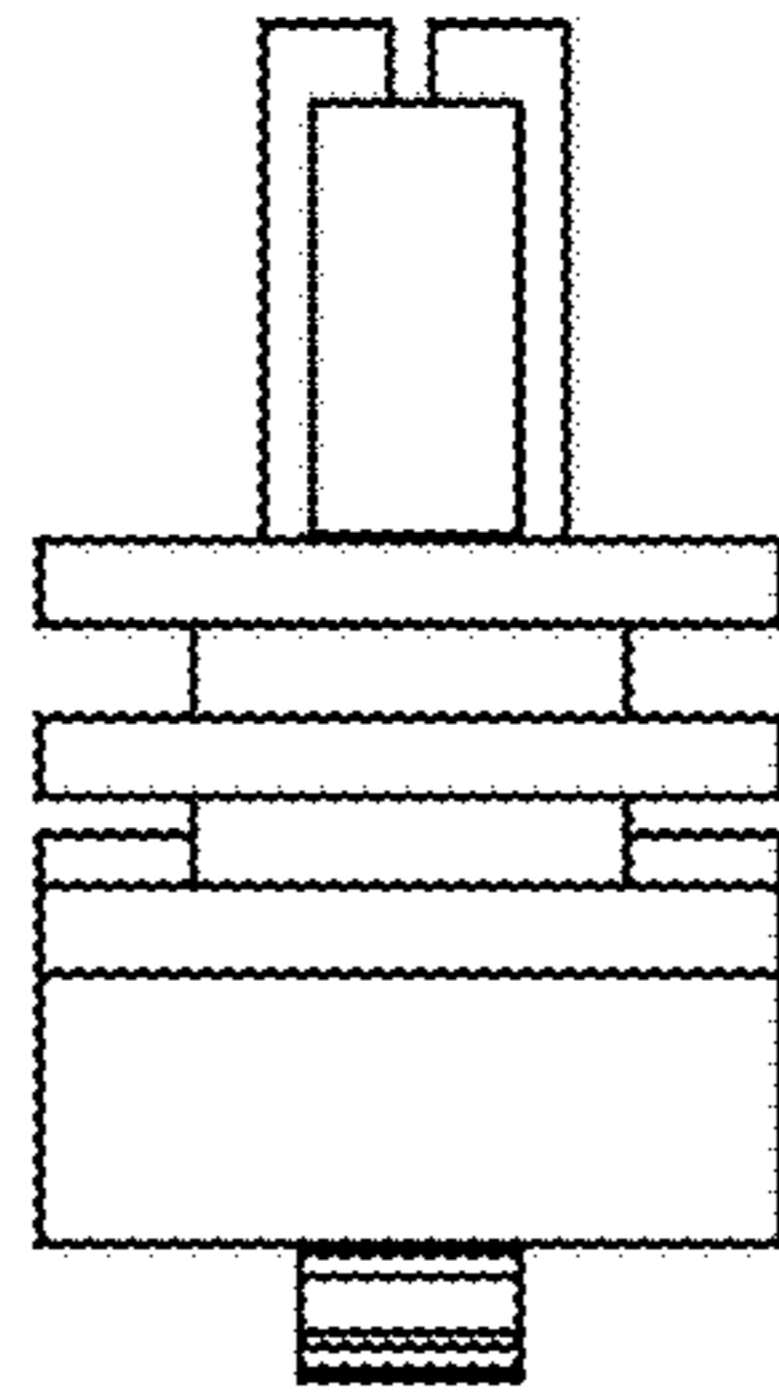


FIG. 9

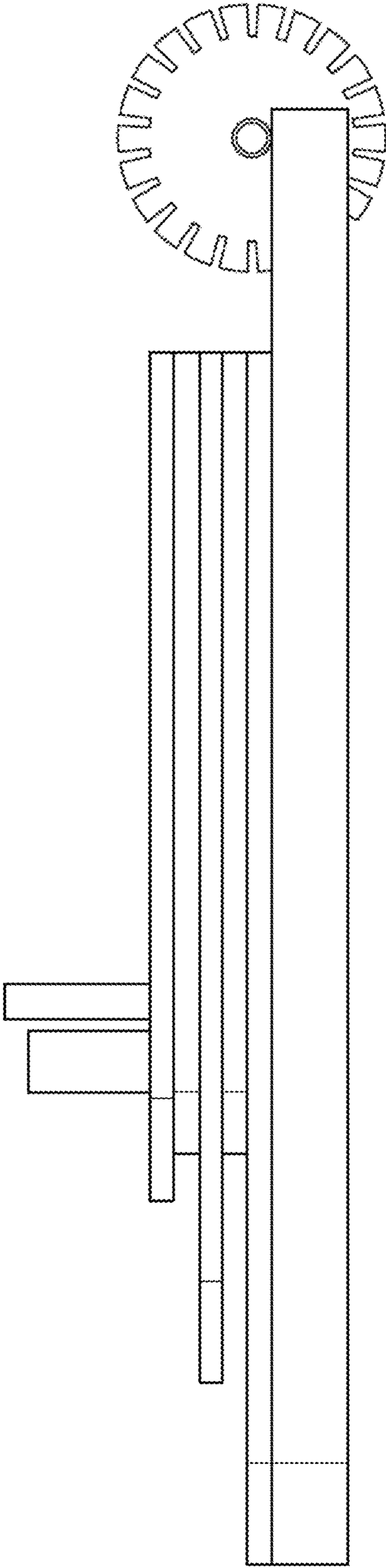


FIG. 10