

US00D867195S

(12) **United States Design Patent** (10) **Patent No.:** **US D867,195 S**
Okazaki (45) **Date of Patent:** **** Nov. 19, 2019**

(54) **WATCHCASE**

(71) Applicant: **CITIZEN WATCH CO., LTD.**,
Nishitokyo-shi, Tokyo (JP)

(72) Inventor: **Toshinori Okazaki**, Nishitokyo (JP)

(73) Assignee: **CITIZEN WATCH CO., LTD.** (JP)

(**) Term: **15 Years**

(21) Appl. No.: **29/615,591**

(22) Filed: **Aug. 30, 2017**

(51) **LOC (12) Cl.** **10-07**

(52) **U.S. Cl.**
USPC **D10/128**

(58) **Field of Classification Search**
USPC D10/30-32, 37-39, 122-124, 126, 128
See application file for complete search history.

D754,549 S * 4/2016 Takahashi D10/128
D760,096 S 6/2016 Lutgen
D760,606 S * 7/2016 Bonadei D10/128
(Continued)

FOREIGN PATENT DOCUMENTS

JP D1465156 3/2013

OTHER PUBLICATIONS

Citizen Eo-Drive Endeavor | mywatchmaart.com; posted Apr. 2015
[online] [retrieved Jan. 3, 2019] from Internet: <<https://www.mywatchmart.com/listing/89065-bnib-citizen-ecodrive-endeavor-2tone-dressy-diver-blue-dial-aw1424541/>> (Year: 2015).*

(Continued)

Primary Examiner — Sandra S Snapp
Assistant Examiner — Katherine Glennon
(74) *Attorney, Agent, or Firm* — RatnerPrestia

(56) **References Cited**

U.S. PATENT DOCUMENTS

D4,948 S * 5/1871 Ingraham D10/128
D365,994 S * 1/1996 Brennan D10/32
D371,082 S * 6/1996 Oba D10/39
D379,324 S * 5/1997 Osit D10/128
D380,392 S * 7/1997 Kennedy D10/30
D386,437 S * 11/1997 Sang D10/122
D388,008 S * 12/1997 Sang D10/128
D388,009 S * 12/1997 Campilan D10/128
D388,204 S * 12/1997 Oba D10/39
D391,174 S * 2/1998 Modolo D10/128
D400,803 S * 11/1998 Kennedy D10/30
D580,280 S * 11/2008 Takahashi D10/39
D599,218 S * 9/2009 Izuka D10/32
D640,144 S * 6/2011 Tonohori D10/32
D652,328 S 1/2012 Laucella et al.
D664,864 S * 8/2012 Kawashima D10/32
D706,144 S * 6/2014 Monachon D10/39
D707,139 S * 6/2014 Mille D10/39
D730,751 S * 6/2015 Belamich D10/126
D732,982 S * 6/2015 Monachon D10/38
D735,060 S 7/2015 Monachon

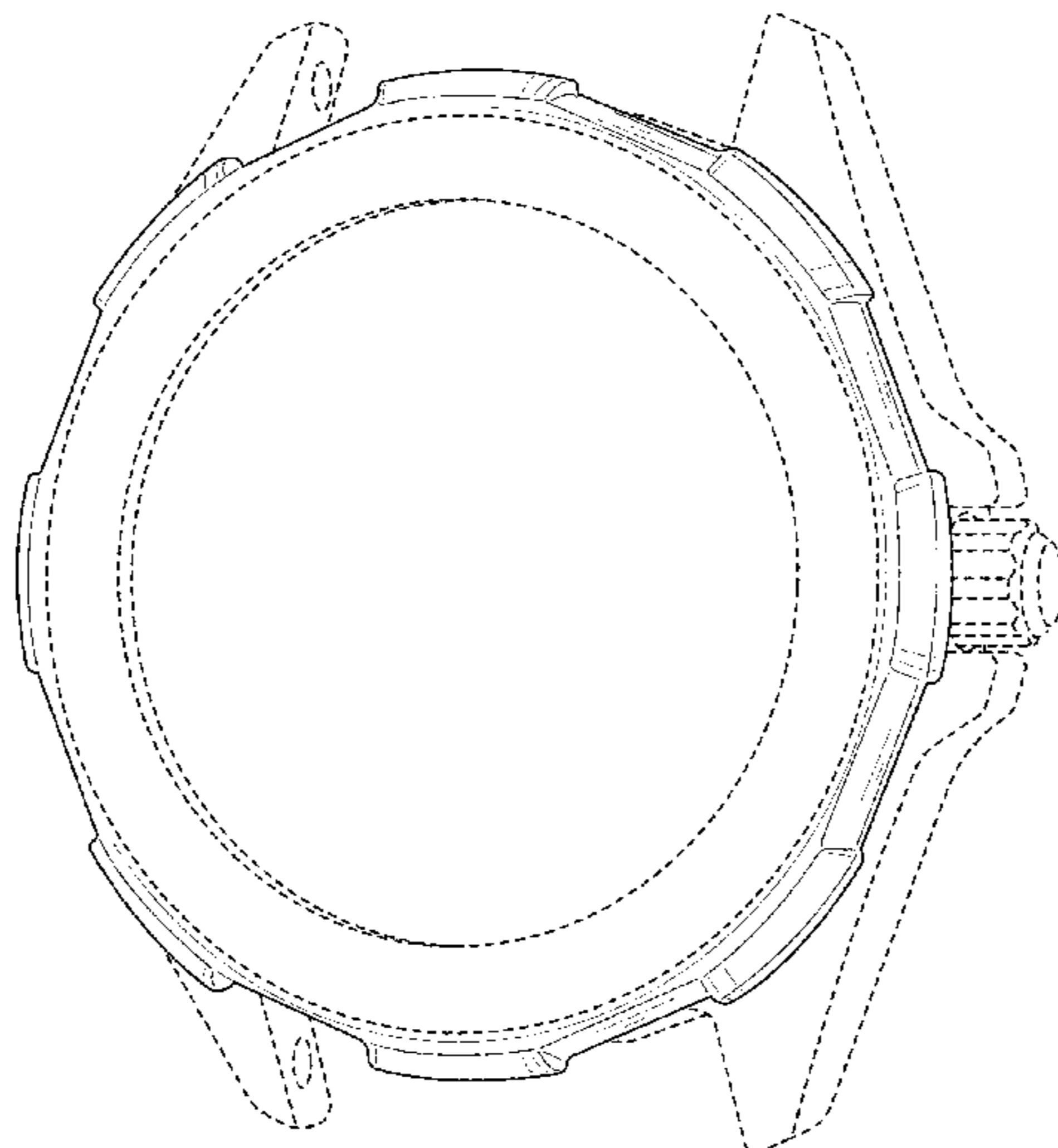
(57) **CLAIM**

The ornamental design for a watchcase, as shown and described.

DESCRIPTION

FIG. 1 is an enlarged perspective view of a watchcase showing my new design;
FIG. 2 is a front elevational view thereof;
FIG. 3 is a left side elevational view thereof;
FIG. 4 is a right side elevational view thereof;
FIG. 5 is a rear elevational view thereof;
FIG. 6 is a top plan view thereof; and,
FIG. 7 is a bottom plan view thereof.
The broken lines shown in FIGS. 1 to 7 illustrate portions of the watchcase that form no part of the claimed design.

1 Claim, 7 Drawing Sheets



(56)

References Cited

U.S. PATENT DOCUMENTS

D793,880 S * 8/2017 Takahashi D10/30
D812,508 S * 3/2018 Hoi D10/122
D820,693 S * 6/2018 Hoi D10/39
D823,136 S * 7/2018 Takahashi D10/30
D823,139 S * 7/2018 Kuroda D10/39
D828,773 S * 9/2018 DiMartini D10/128
10,096,439 B2 * 10/2018 Wakuda H01H 13/78

OTHER PUBLICATIONS

11 Best Watches from Baselworld Under 2500 | gearpatrol.com
posted Mar. 2018 [online]. © Gear Patrol, LLC. [retrieved Jan. 3,
2019] from Internet: <<https://gearpatrol.com/2018/03/30/baselworld-2018-best-affordable-watches/>> (Year: 2018).*

* cited by examiner

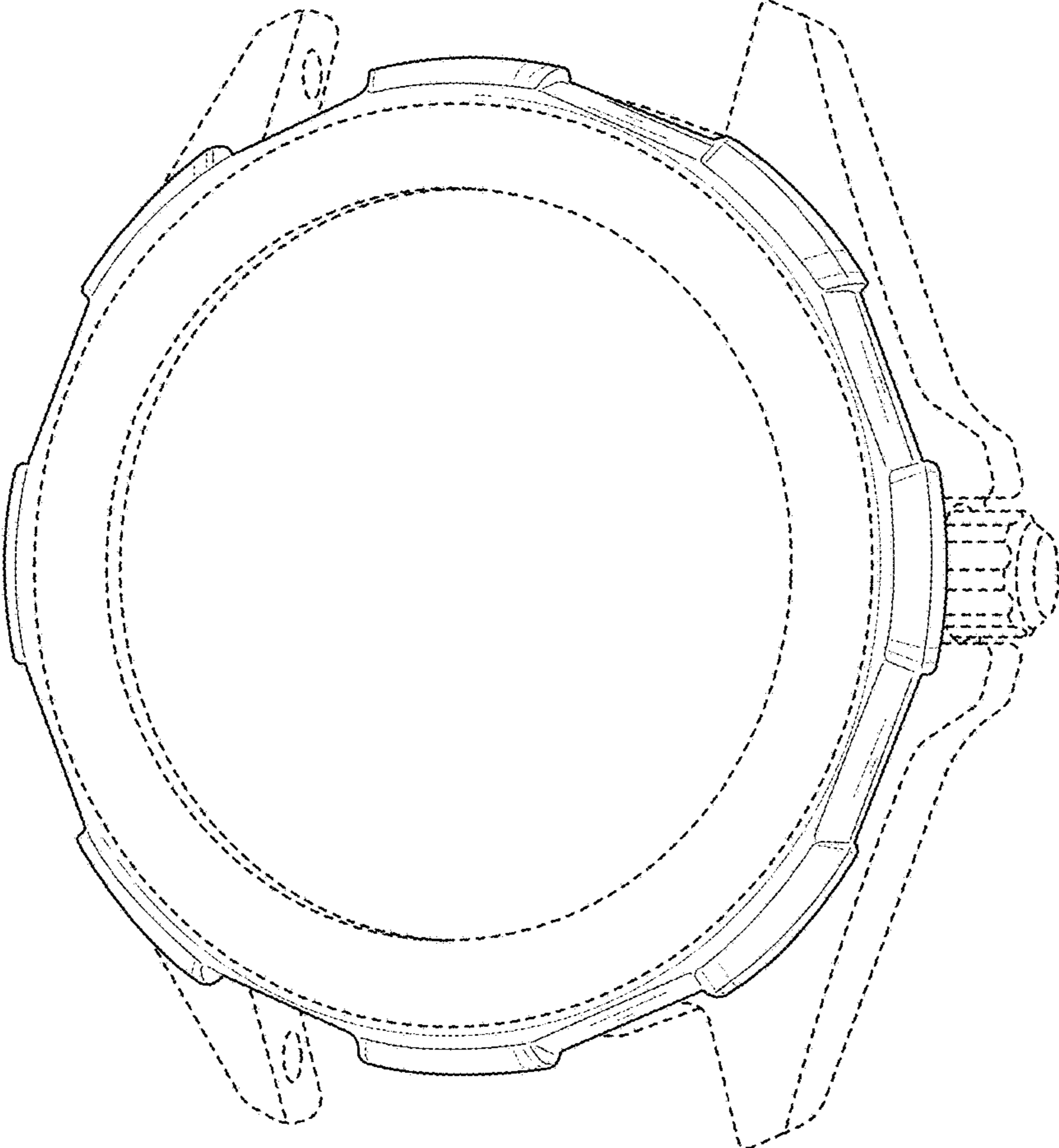


FIG. 1

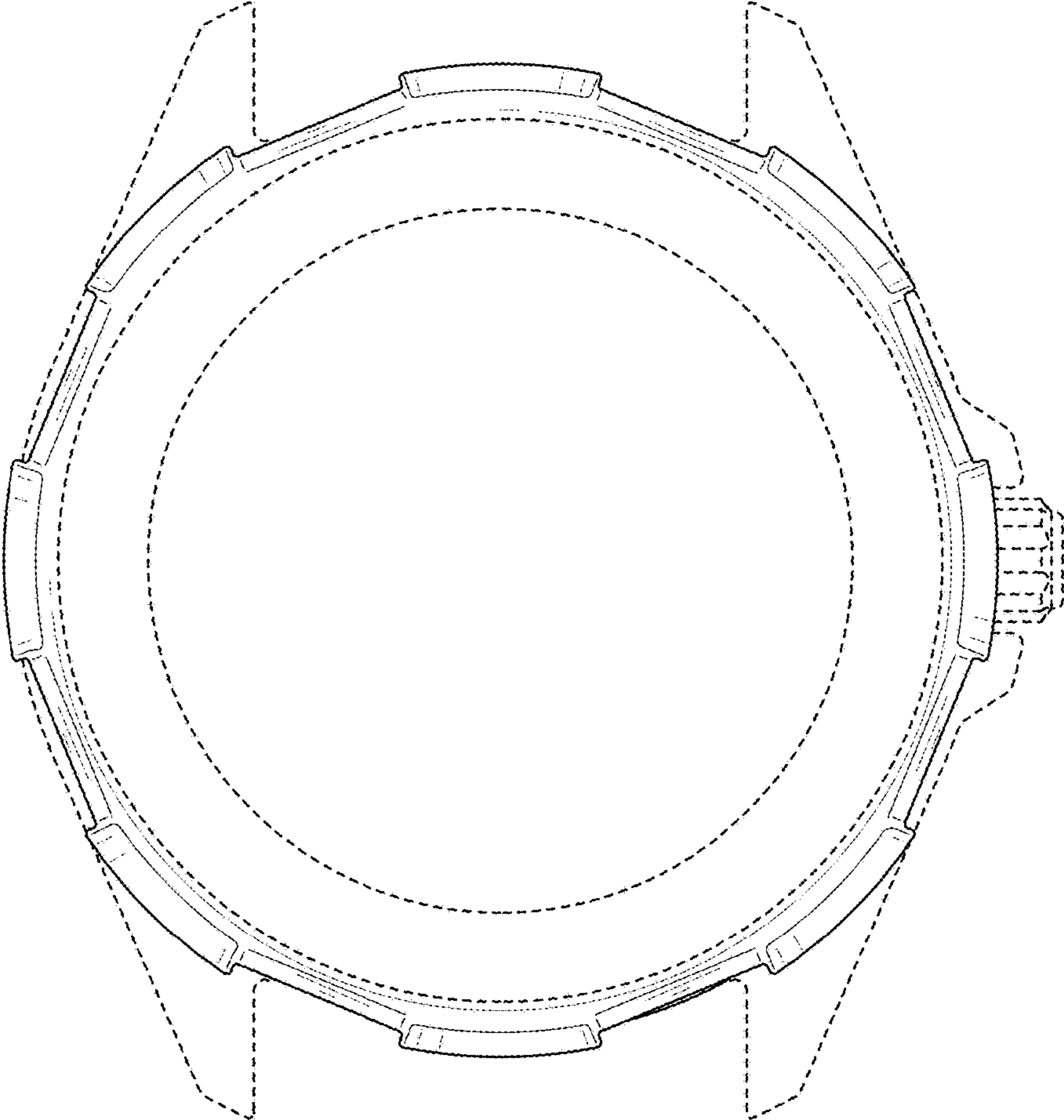


FIG. 2

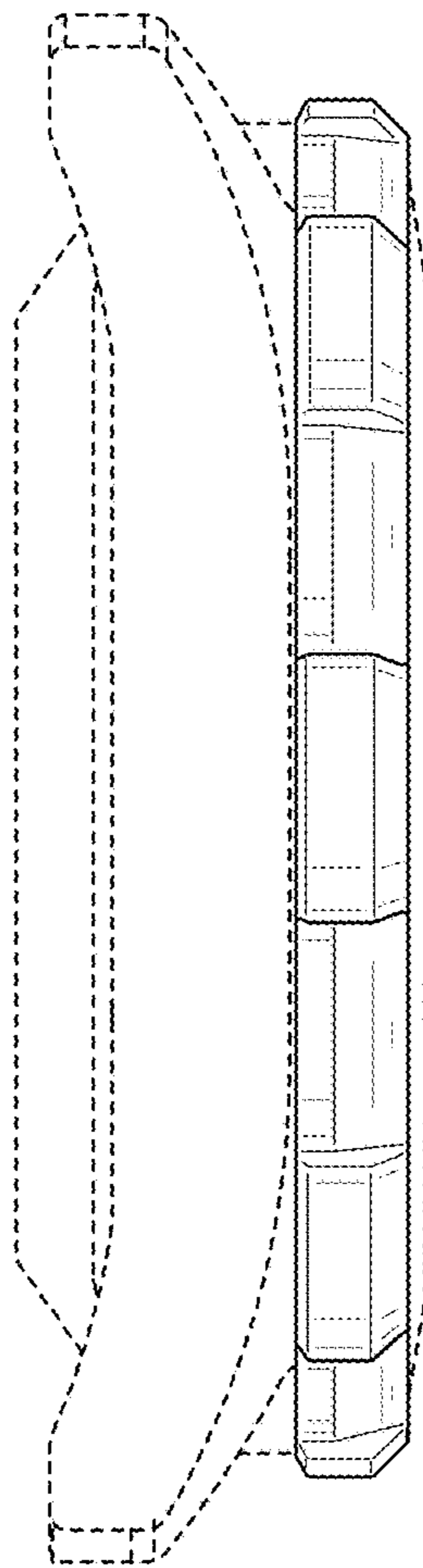


FIG. 3

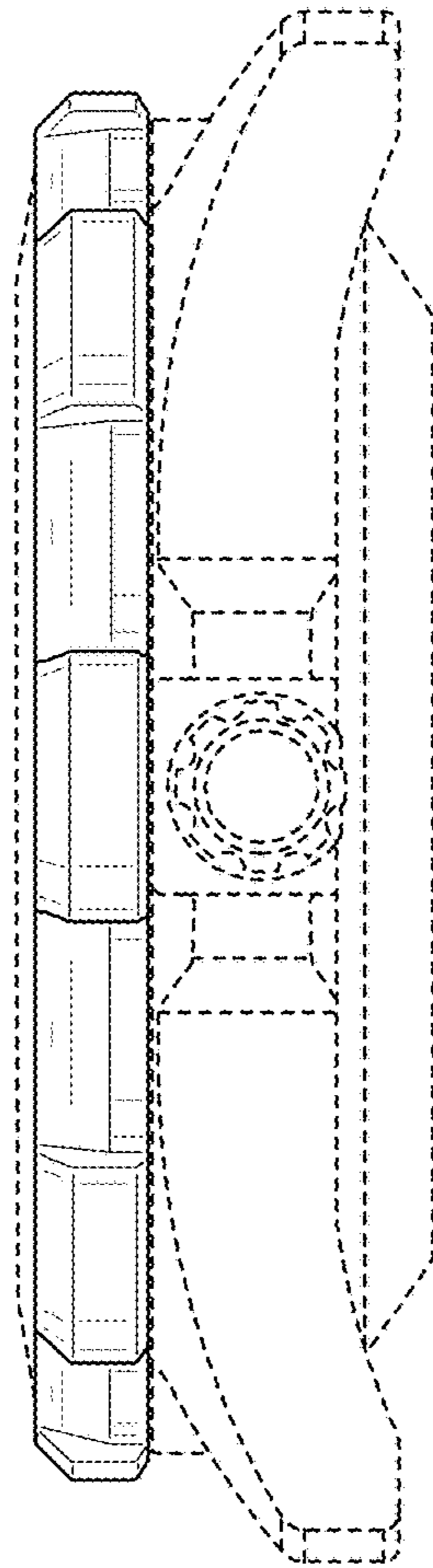


FIG. 4

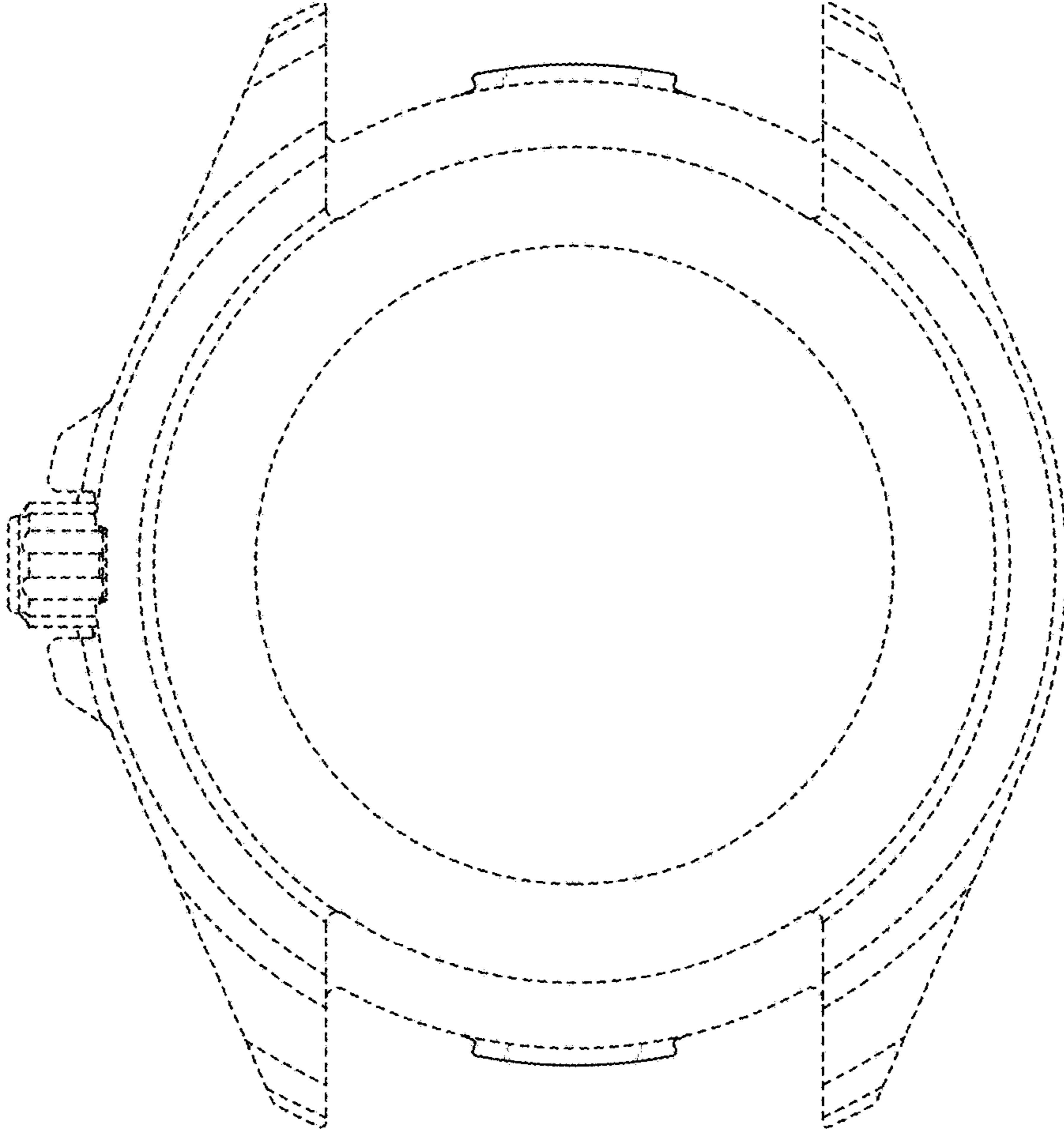


FIG. 5

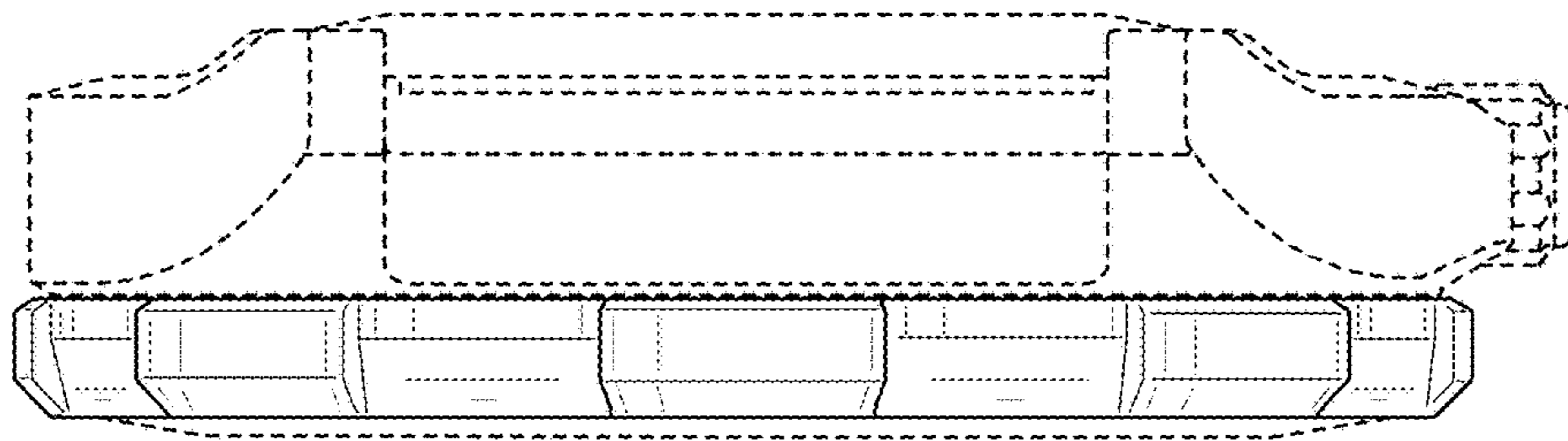


FIG. 6

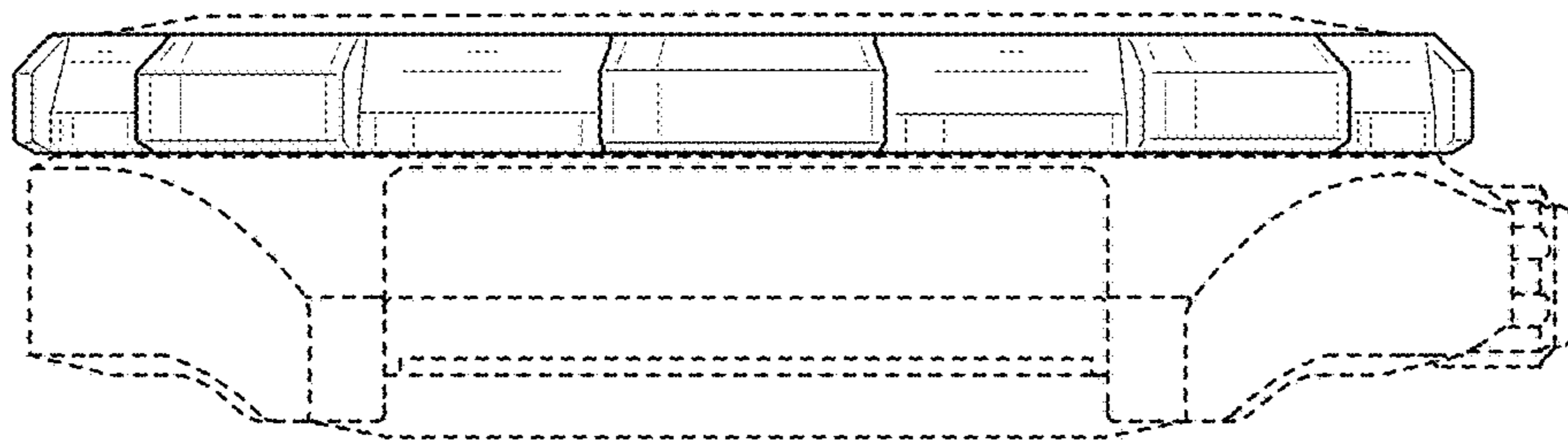


FIG. 7