



US00D867187S

(12) **United States Design Patent** (10) **Patent No.:** **US D867,187 S**
Rasmussen et al. (45) **Date of Patent:** **** Nov. 19, 2019**

(54) **WIRELESS WATER LEAK DETECTION SYSTEM**

(71) Applicant: **THE DETECTION GROUP, INC.**,
San Diego, CA (US)

(72) Inventors: **Jens Rasmussen**, San Diego, CA (US);
Glen Paulus, San Diego, CA (US);
Laurie Conner, San Diego, CA (US)

(73) Assignee: **THE DETECTION GROUP, INC.**,
Sunnyvale, CA (US)

(**) Term: **15 Years**

(21) Appl. No.: **29/654,676**

(22) Filed: **Jun. 26, 2018**

(51) **LOC (12) Cl.** **10-04**

(52) **U.S. Cl.**
USPC **D10/101**

(58) **Field of Classification Search**
USPC D10/101
CPC G08B 21/02; G08B 21/18; G08B 21/182;
G08B 21/20; G08B 3/00; G08B 19/00;
G08B 19/02; G01D 7/00; G01D 11/24;
G01D 11/245; G01F 1/00; G01N
33/0031; G01N 33/0032; G01M 3/16;
G01M 3/38

See application file for complete search history.

(56) **References Cited**

U.S. PATENT DOCUMENTS

D373,093 S	8/1996	Fenne	
D385,559 S	10/1997	Conrado et al.	
8,188,873 B2	5/2012	Barth et al.	
D783,423 S	4/2017	Srnec et al.	
9,911,307 B1 *	3/2018	Goolsby	G08B 21/182
D847,680 S *	5/2019	Billman	D10/101
D847,681 S *	5/2019	Flachsbart	D10/101
2006/0267758 A1	11/2006	Barth et al.	

OTHER PUBLICATIONS

“Wireless Water Leak Detection,” Genset Fire and Security, LLC website, © 2018; printed from <http://gensetfire.com/system-solutions/wireless-water-leak-detection/> on Jun. 20, 2018.

* cited by examiner

Primary Examiner — Antoine Duval Davis

(74) *Attorney, Agent, or Firm* — Nath, Goldberg & Meyer; Jerald L. Meyer

(57) **CLAIM**

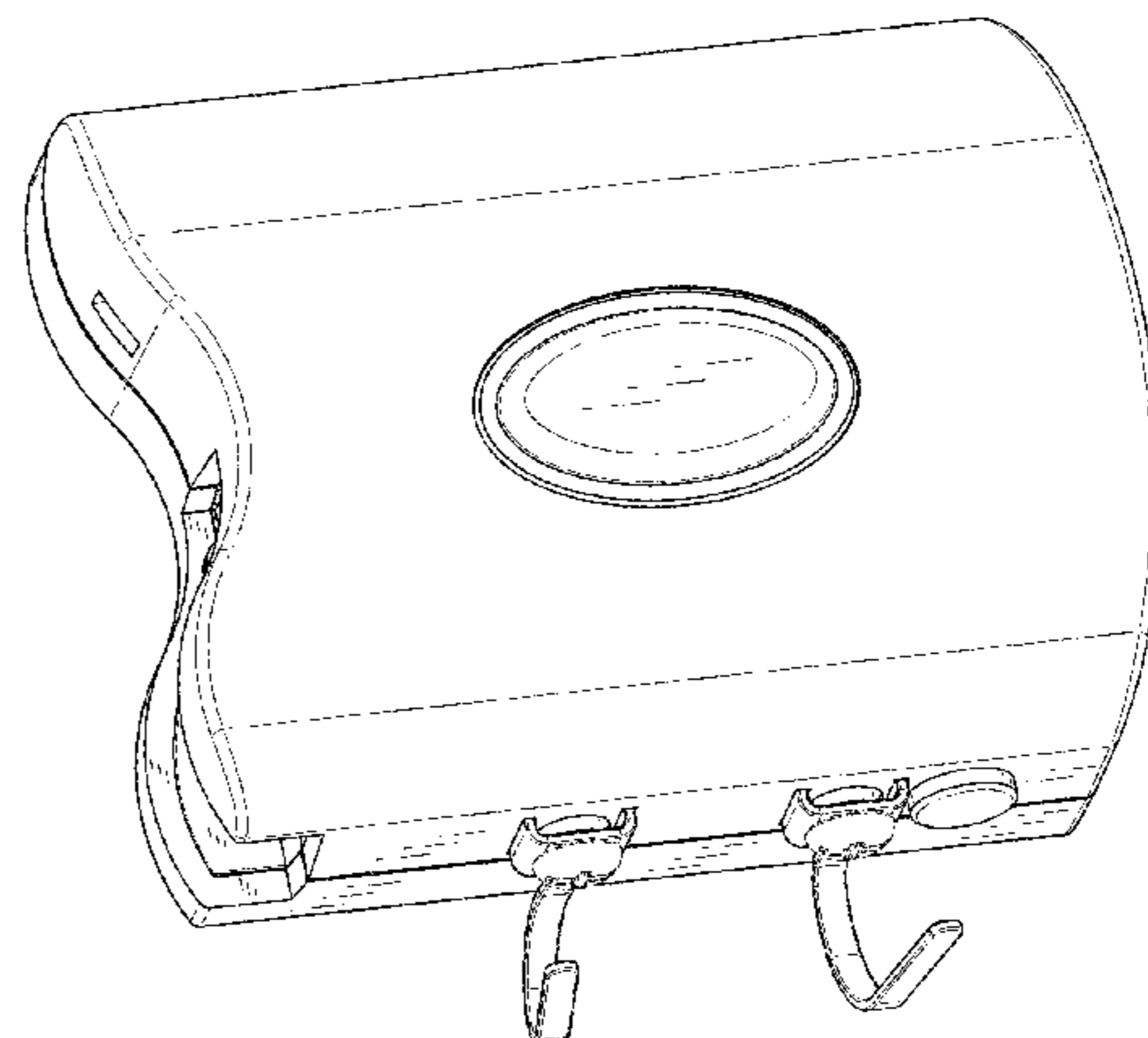
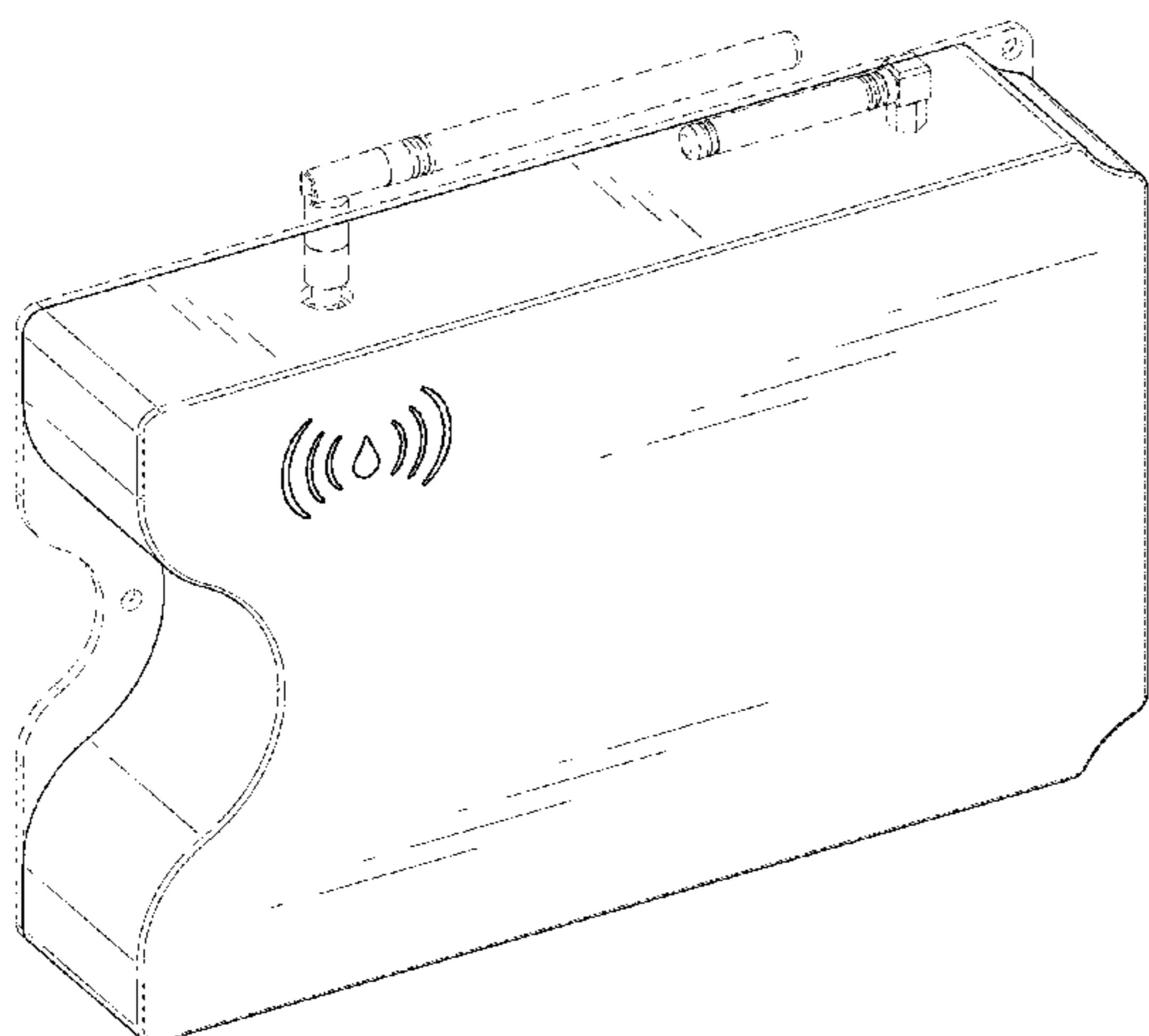
The ornamental design for a wireless water leak detection system, as shown and described.

DESCRIPTION

FIG. 1 is a front perspective view of a base station of a wireless water leak detection system; FIG. 2 is a front view thereof; FIG. 3 is a rear view thereof; FIG. 4 is a top view thereof; FIG. 5 is a bottom view thereof; FIG. 6 is a right side view thereof; FIG. 7 is a left side view thereof; FIG. 8 is a front perspective view of a sensor of a wireless water leak detection system; FIG. 9 is a front view thereof; FIG. 10 is a rear view thereof; FIG. 11 is a top view thereof; FIG. 12 is a bottom view thereof; FIG. 13 is a left side view thereof; and, FIG. 14 is a right side view thereof.

The broken line showing of the antennae in FIGS. 1-4, 6 and 7, of a portion of the back plate in FIGS. 1-3, of the screw heads in FIGS. 8-10 and 12-14, and of the compartment coverings in FIG. 10 is for illustrative purposes only and forms no part of the claimed design.

1 Claim, 10 Drawing Sheets



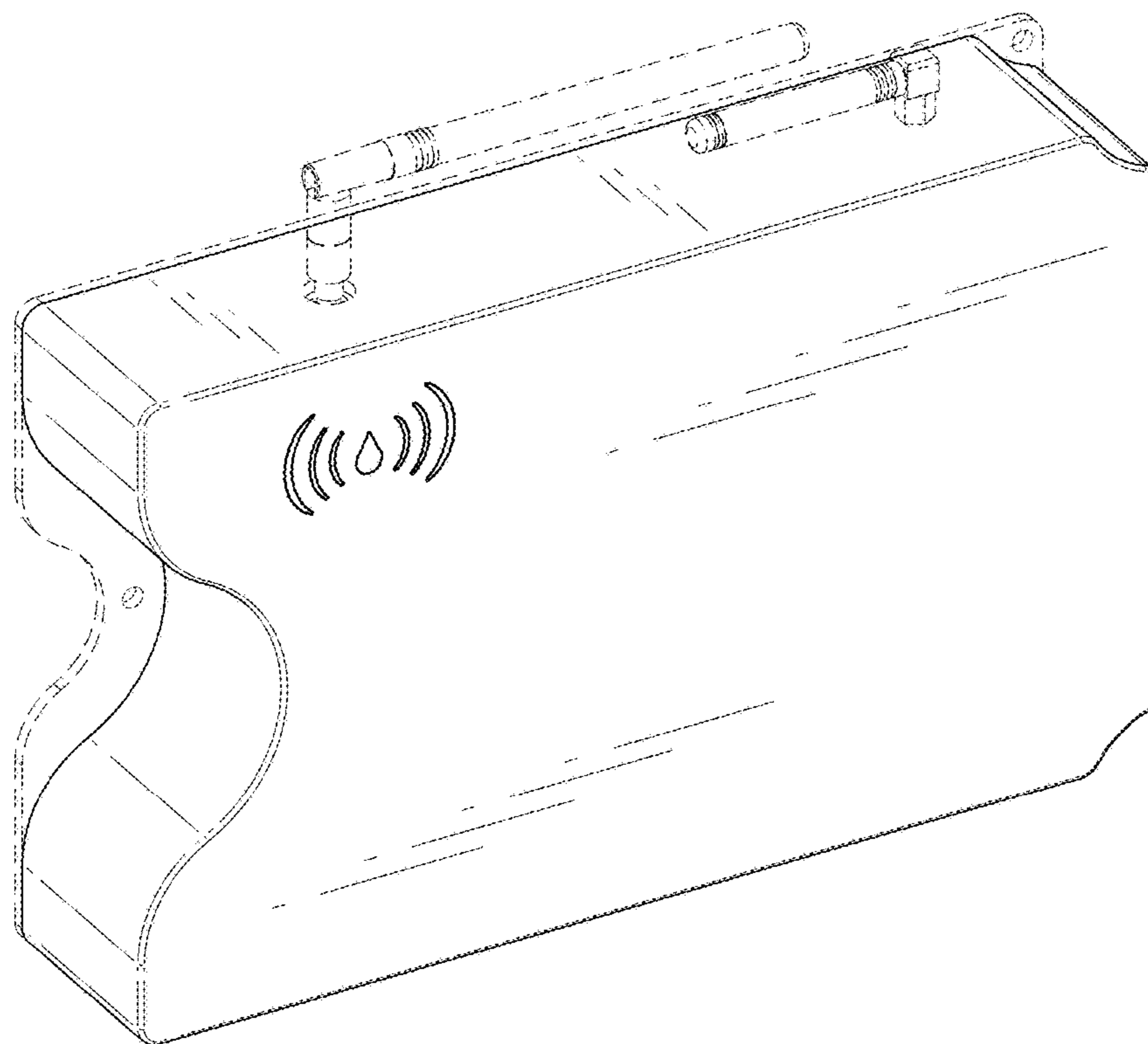


FIG. 1

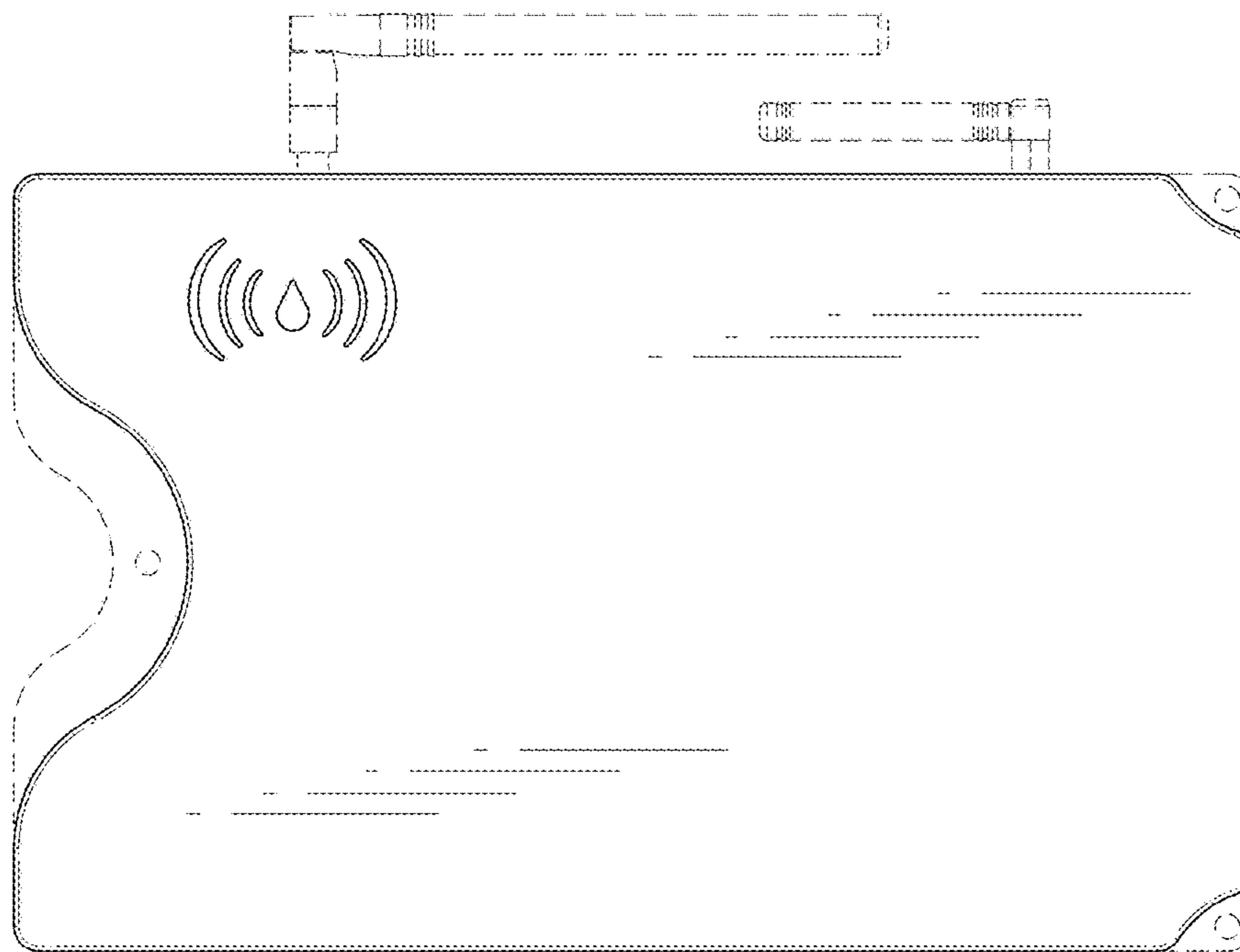


FIG. 2

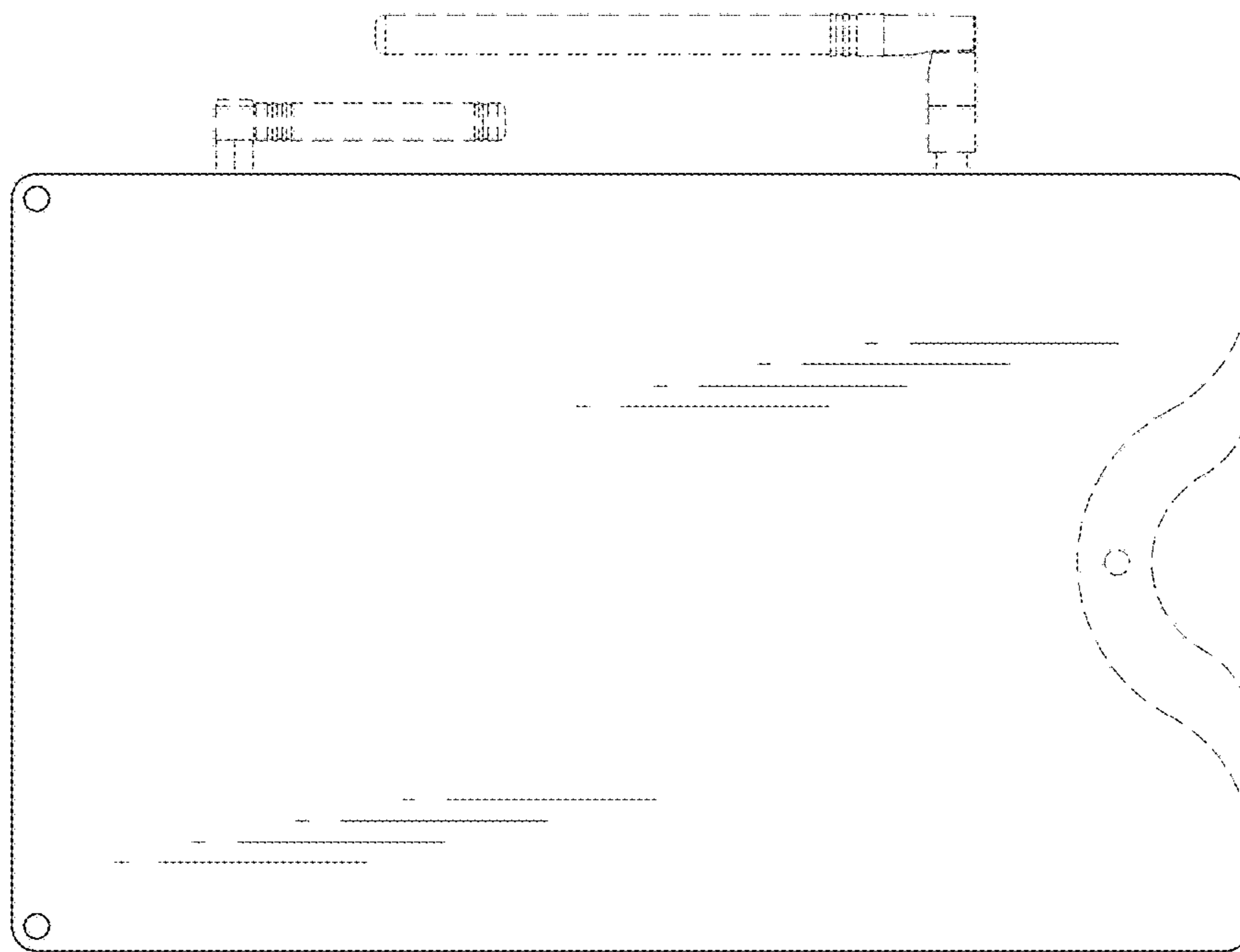


FIG. 3

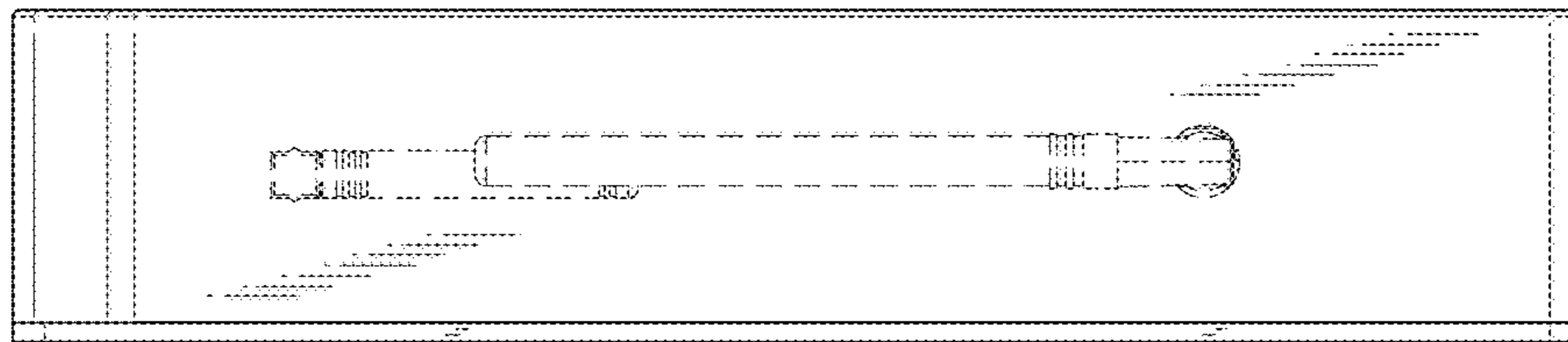


FIG. 4

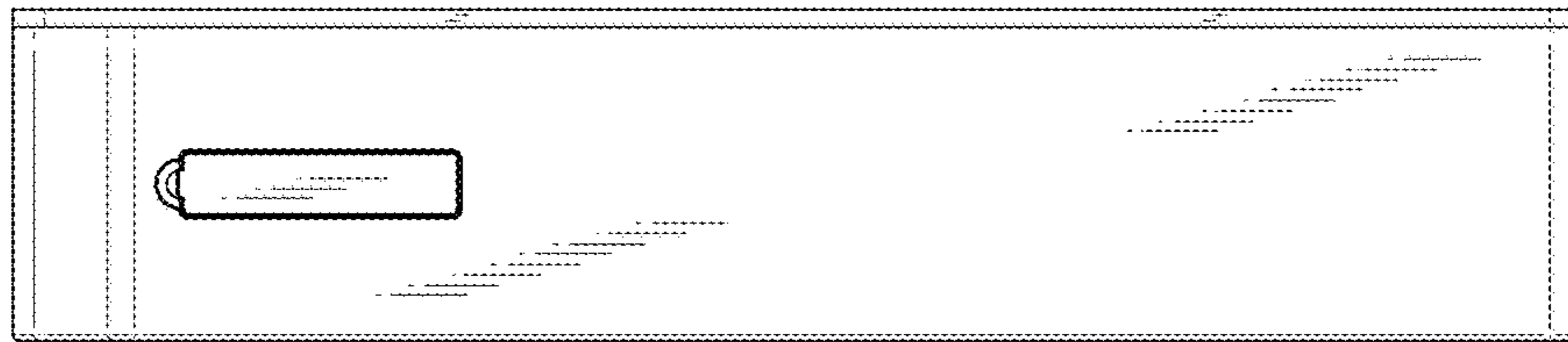


FIG. 5

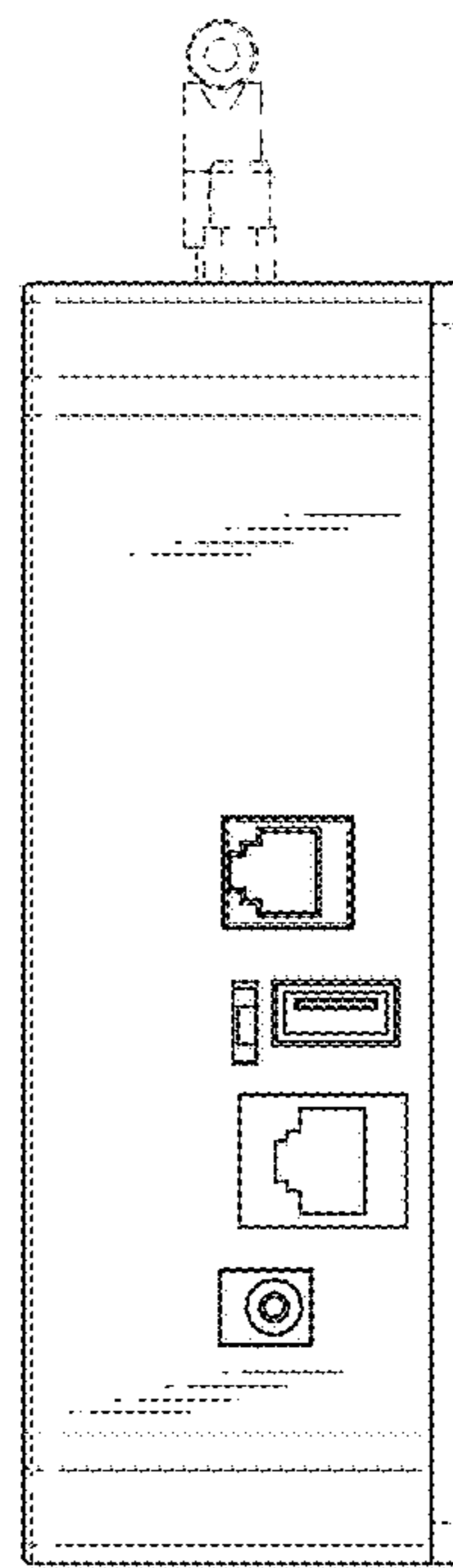


FIG. 6

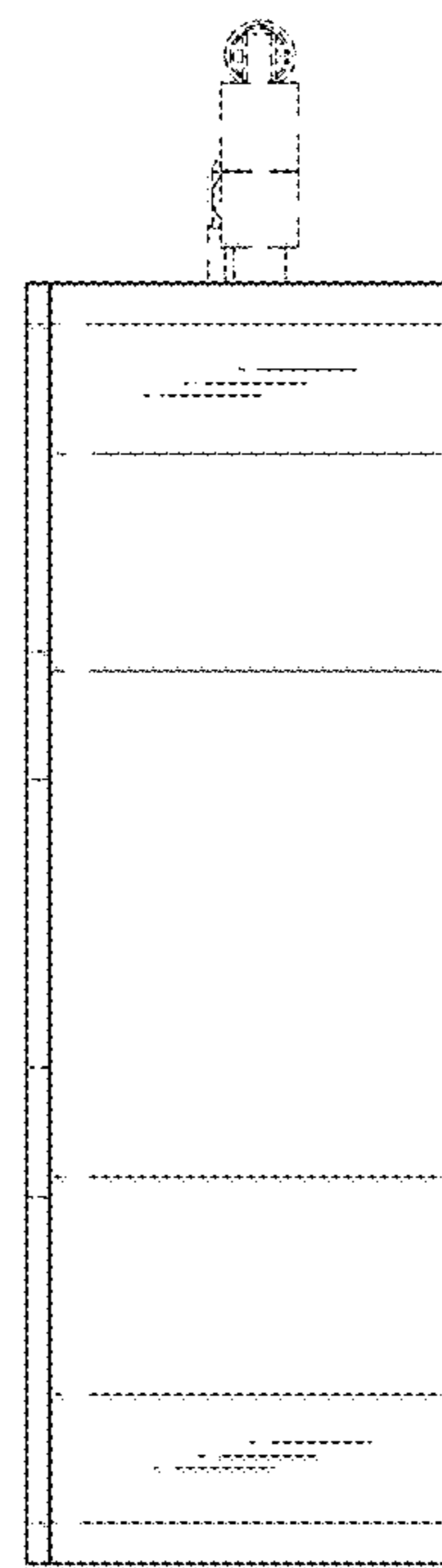


FIG. 7

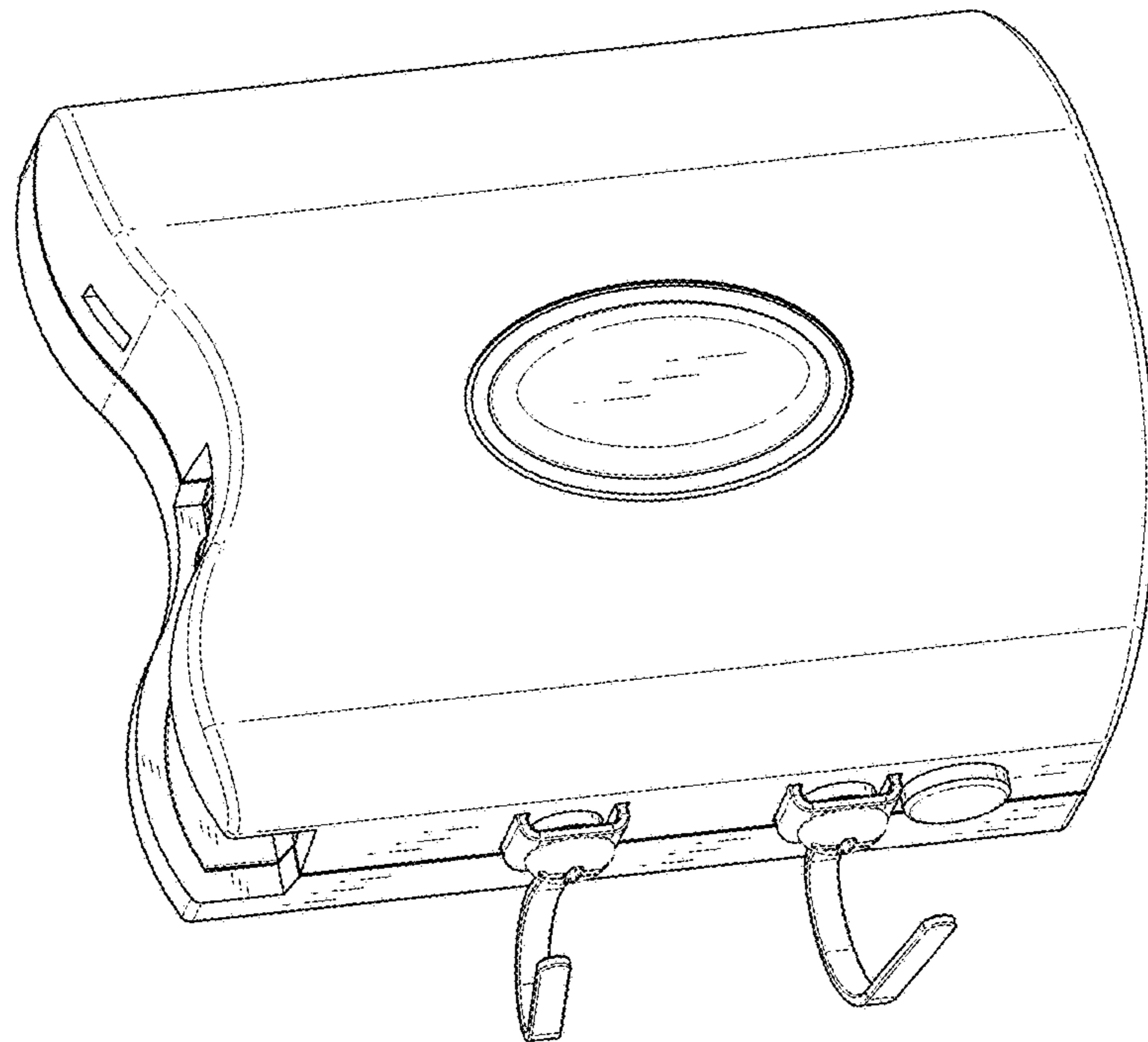


FIG. 8

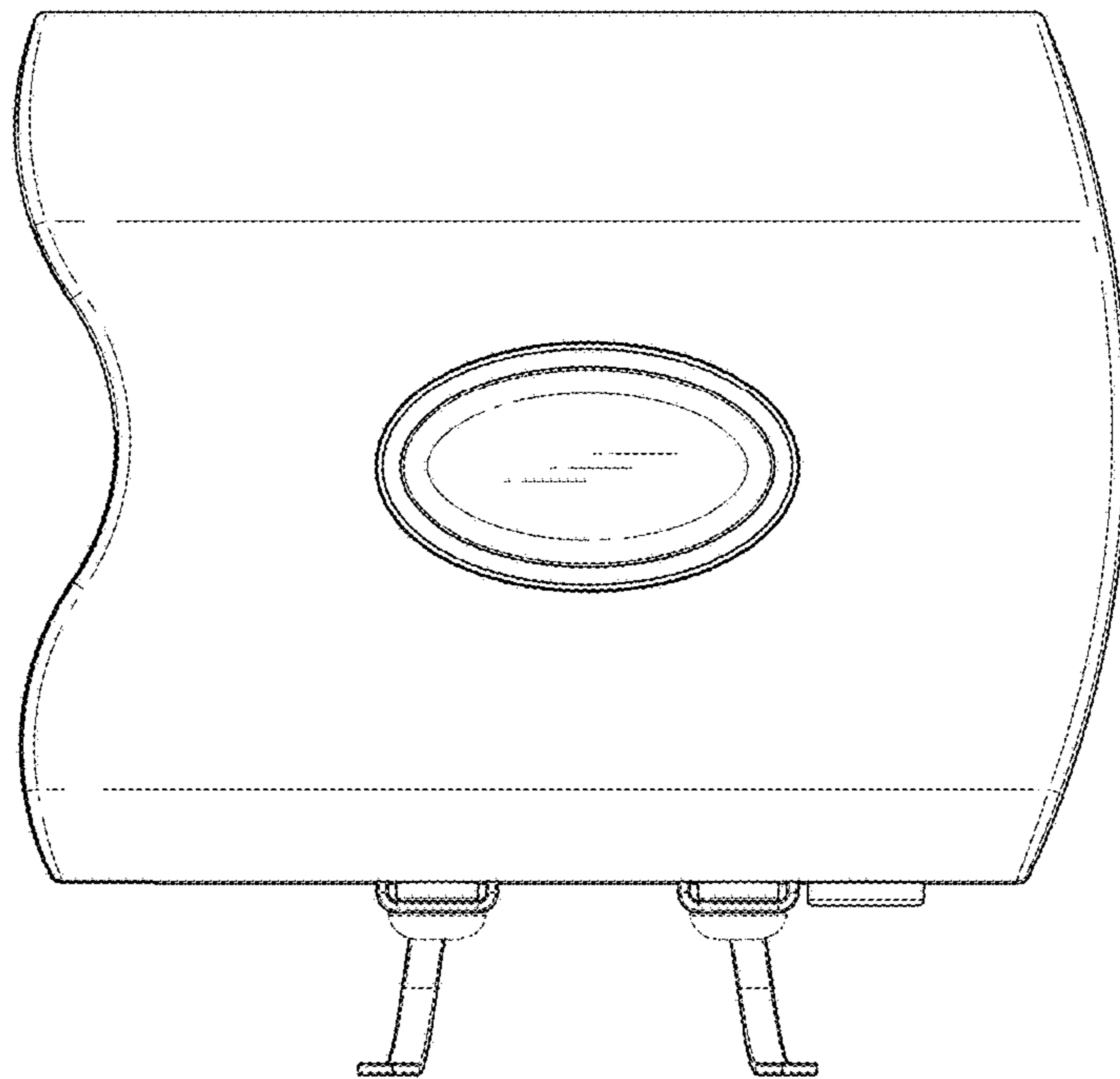


FIG. 9

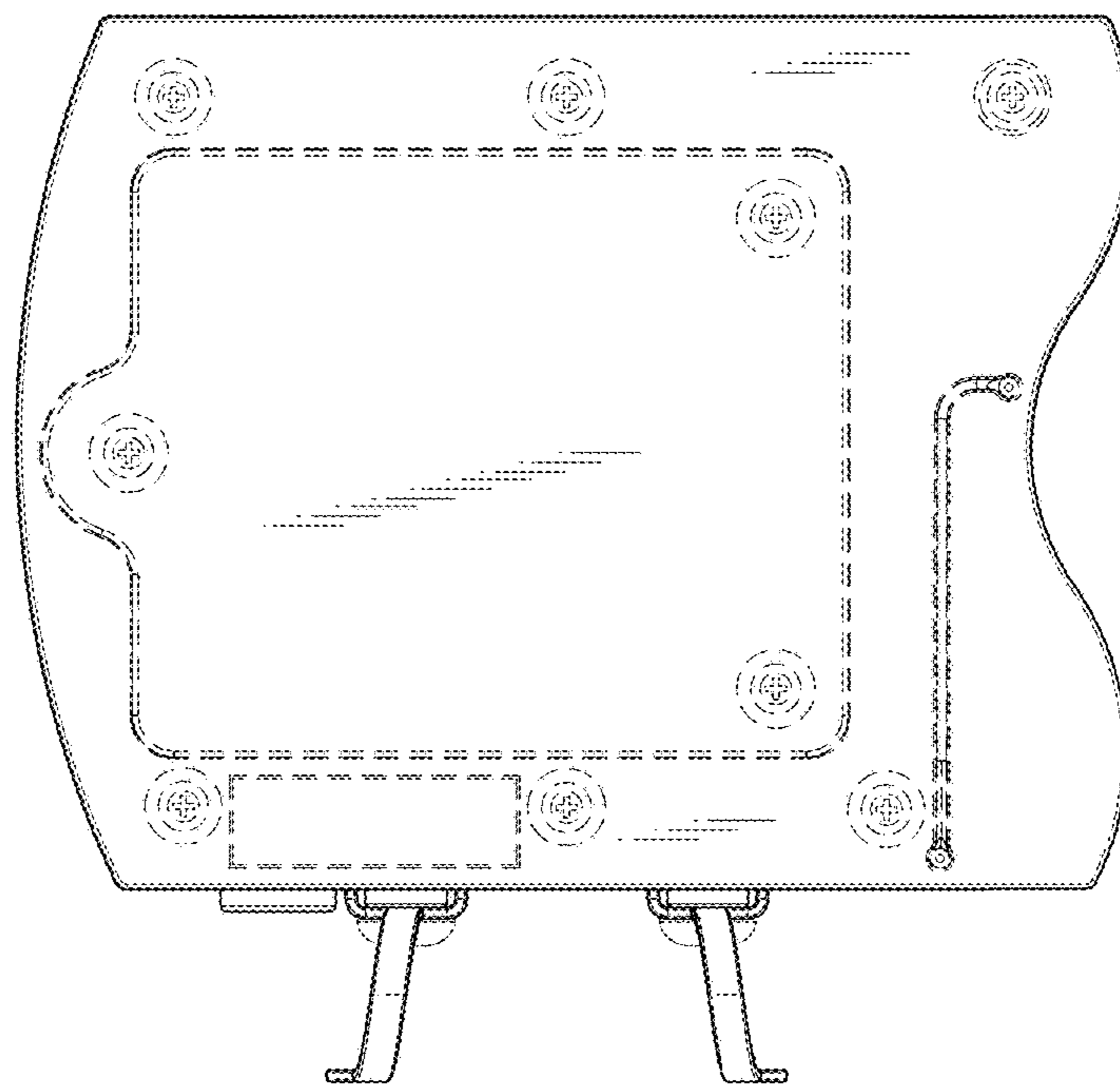


FIG. 10

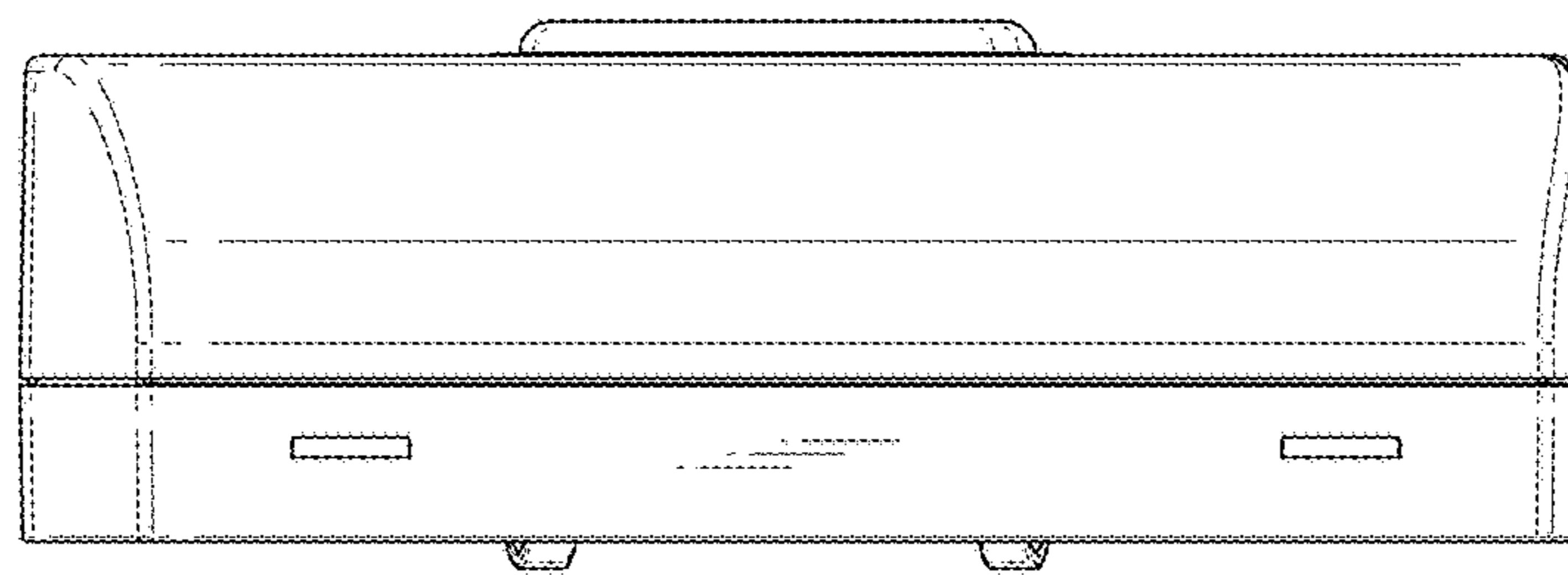


FIG. 11

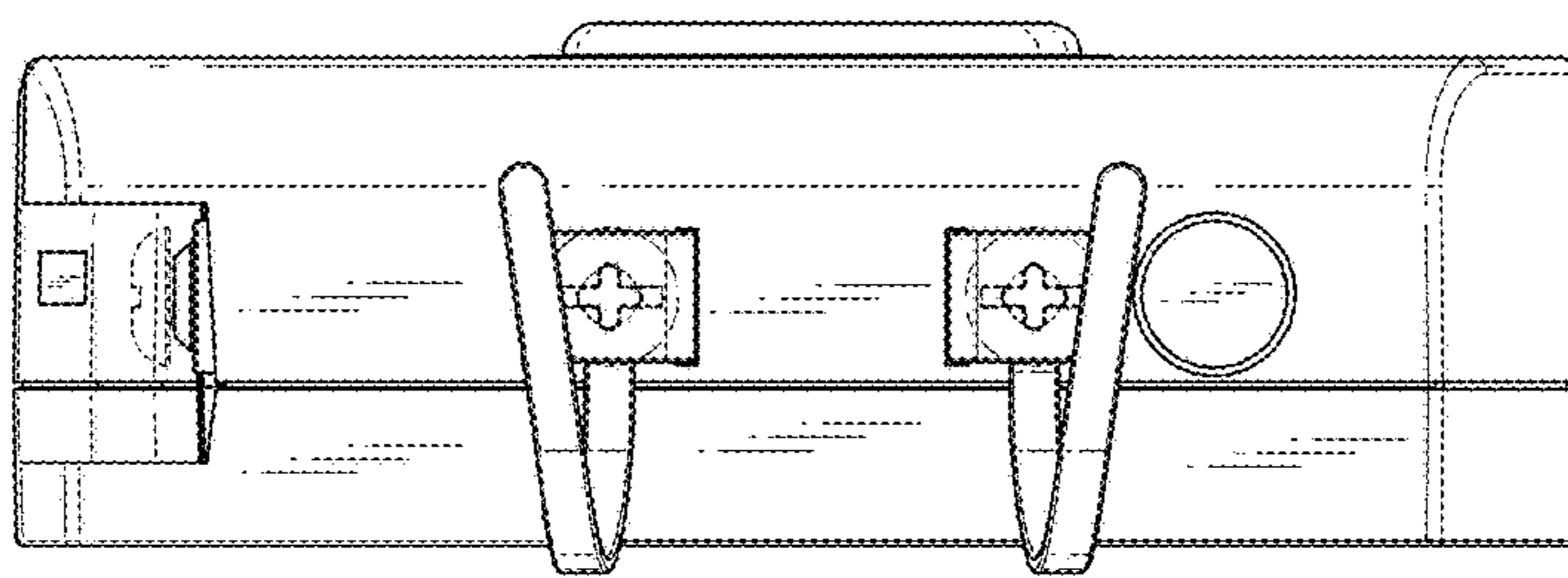


FIG. 12

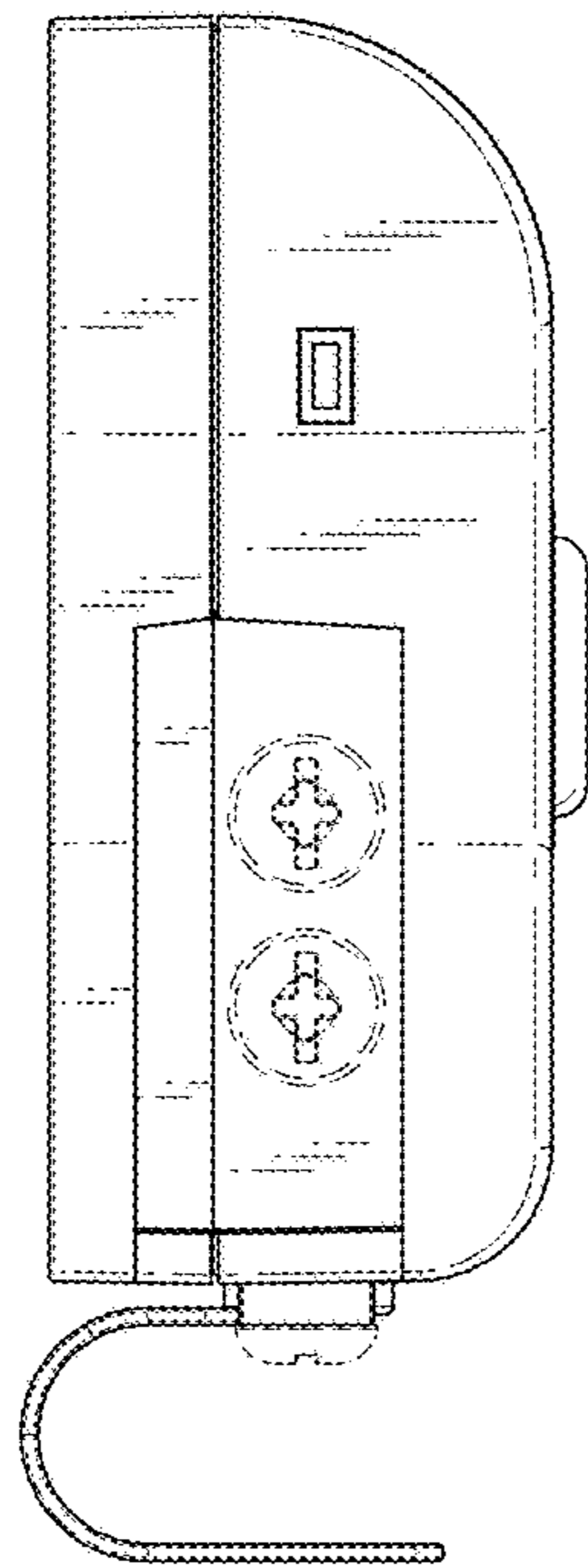


FIG. 13

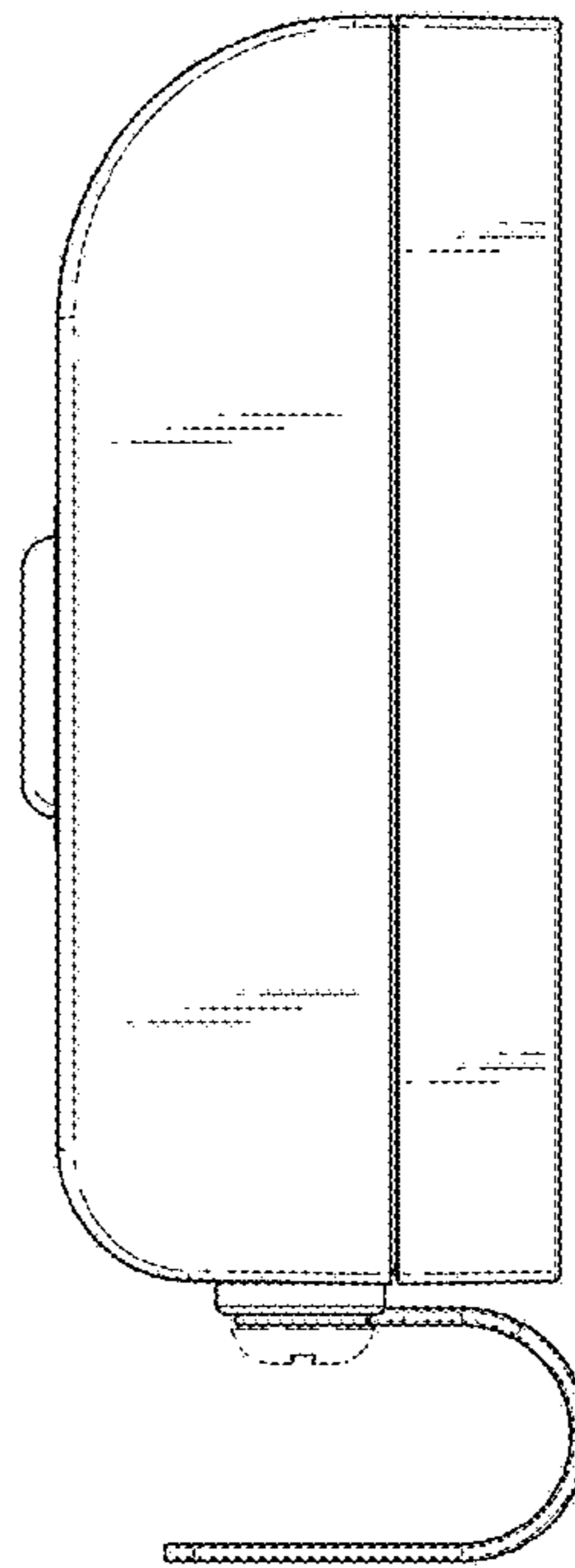


FIG. 14

UNITED STATES PATENT AND TRADEMARK OFFICE
CERTIFICATE OF CORRECTION

PATENT NO. : D867,187 S
APPLICATION NO. : 29/654676
DATED : November 19, 2019
INVENTOR(S) : Jens Rasmussen, Glen Paulus and Laurie Conner

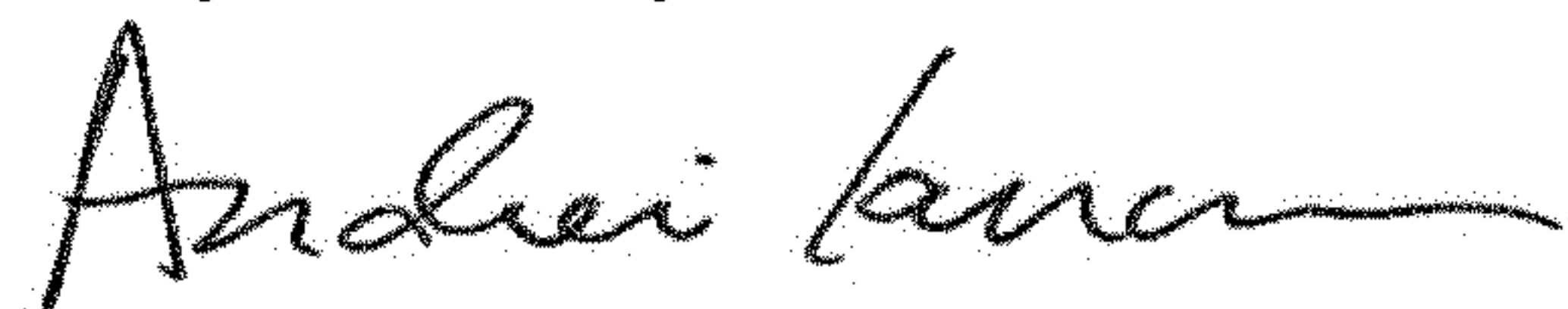
Page 1 of 1

It is certified that error appears in the above-identified patent and that said Letters Patent is hereby corrected as shown below:

On the Title Page

Item (71) please remove the Applicant City: "San Diego, CA" and replace with "Sunnyvale, CA"

Signed and Sealed this
Thirty-first Day of December, 2019



Andrei Iancu
Director of the United States Patent and Trademark Office