



US00D867186S

(12) **United States Design Patent**
Osanai

(10) **Patent No.:** **US D867,186 S**

(45) **Date of Patent:** **** Nov. 19, 2019**

(54) **PRESSURE SENSOR**

(71) Applicant: **FUJIKURA LTD.**, Tokyo (JP)

(72) Inventor: **Kiyotaka Osanai**, Tokyo (JP)

(73) Assignee: **FUJIKURA LTD.**, Tokyo (JP)

(**) Term: **15 Years**

(21) Appl. No.: **29/650,826**

(22) Filed: **Jun. 11, 2018**

(30) **Foreign Application Priority Data**

Dec. 15, 2017 (JP) 2017-028016

(51) **LOC (12) Cl.** **10-04**

(52) **U.S. Cl.**
USPC **D10/85**

(58) **Field of Classification Search**

USPC D10/83, 84, 85

CPC G01L 1/00-1/26; G01L 3/00-3/26; G01L
5/00-5/288; G01L 7/00-7/24; G01L
9/00-9/18; G01L 2209/0063-2009/0069;
G01L 11/00-11/06; G01L 13/00-13/06;
G01L 15/00; G01L 17/00; G01L 17/005;
G01L 19/00-19/16; G01L 2019/0053;
G01L 21/00-21/36; G01L 23/00-23/32;
G01L 2023/228; G01L 25/00-25/006;
G01L 27/00-27/02

See application file for complete search history.

(56) **References Cited**

U.S. PATENT DOCUMENTS

10,203,256 B2 * 2/2019 Fahimi G01L 13/04

* cited by examiner

Primary Examiner — Antoine Duval Davis

(74) *Attorney, Agent, or Firm* — Osha Liang LLP

(57) **CLAIM**

The ornamental design for a pressure sensor, as shown and described.

DESCRIPTION

FIG. 1 is a top front perspective view of the pressure sensor; FIG. 2 is a bottom front perspective view of the pressure sensor of FIG. 1;

FIG. 3 is a front view of the pressure sensor of FIG. 1;

FIG. 4 is a rear view of the pressure sensor of FIG. 1;

FIG. 5 is a right side view of the pressure sensor of FIG. 1, wherein the left side view is identical;

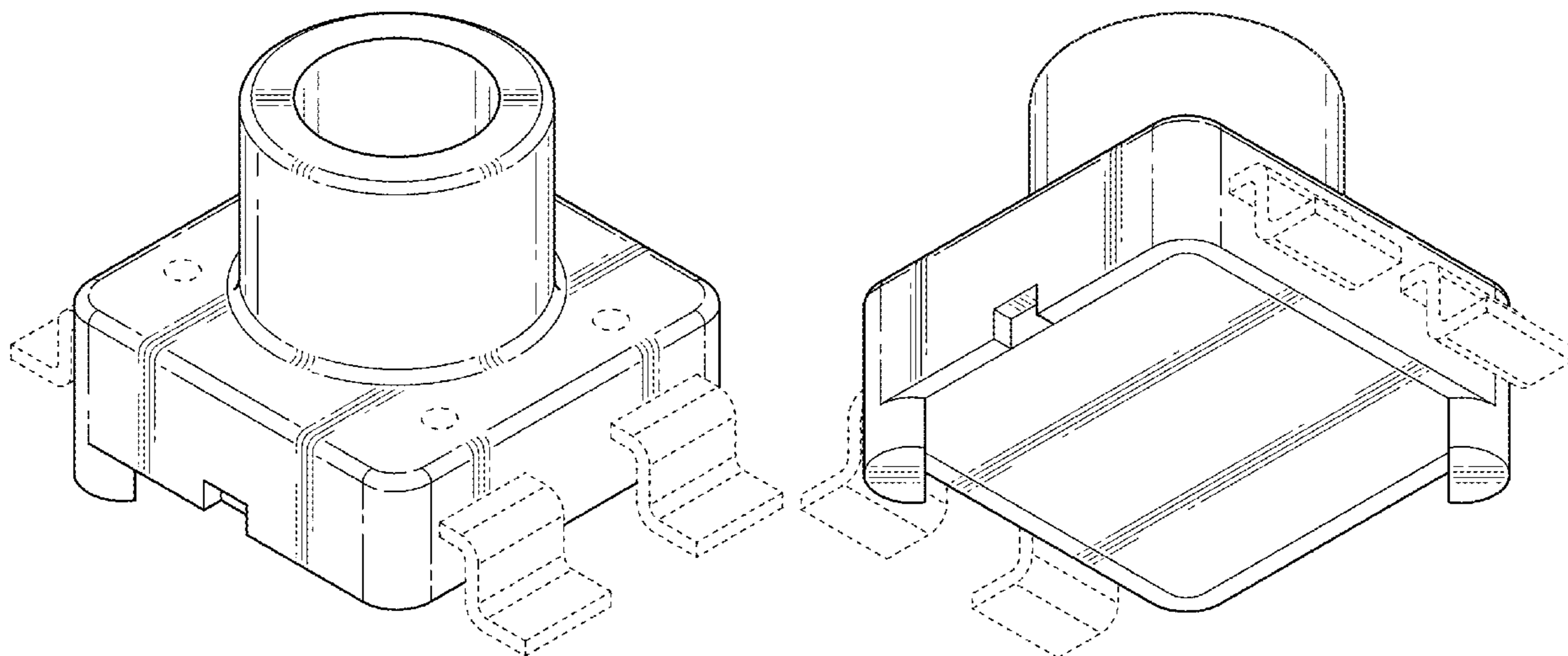
FIG. 6 is a top view of the pressure sensor of FIG. 1; and,

FIG. 7 is a bottom view of the pressure sensor of FIG. 1.

The shade lines on the surfaces of the pressure sensor show contour and not surface ornamentation.

The broken lines showing portions of the pressure sensor depict the environmental structure and form no part of the claimed design.

1 Claim, 4 Drawing Sheets



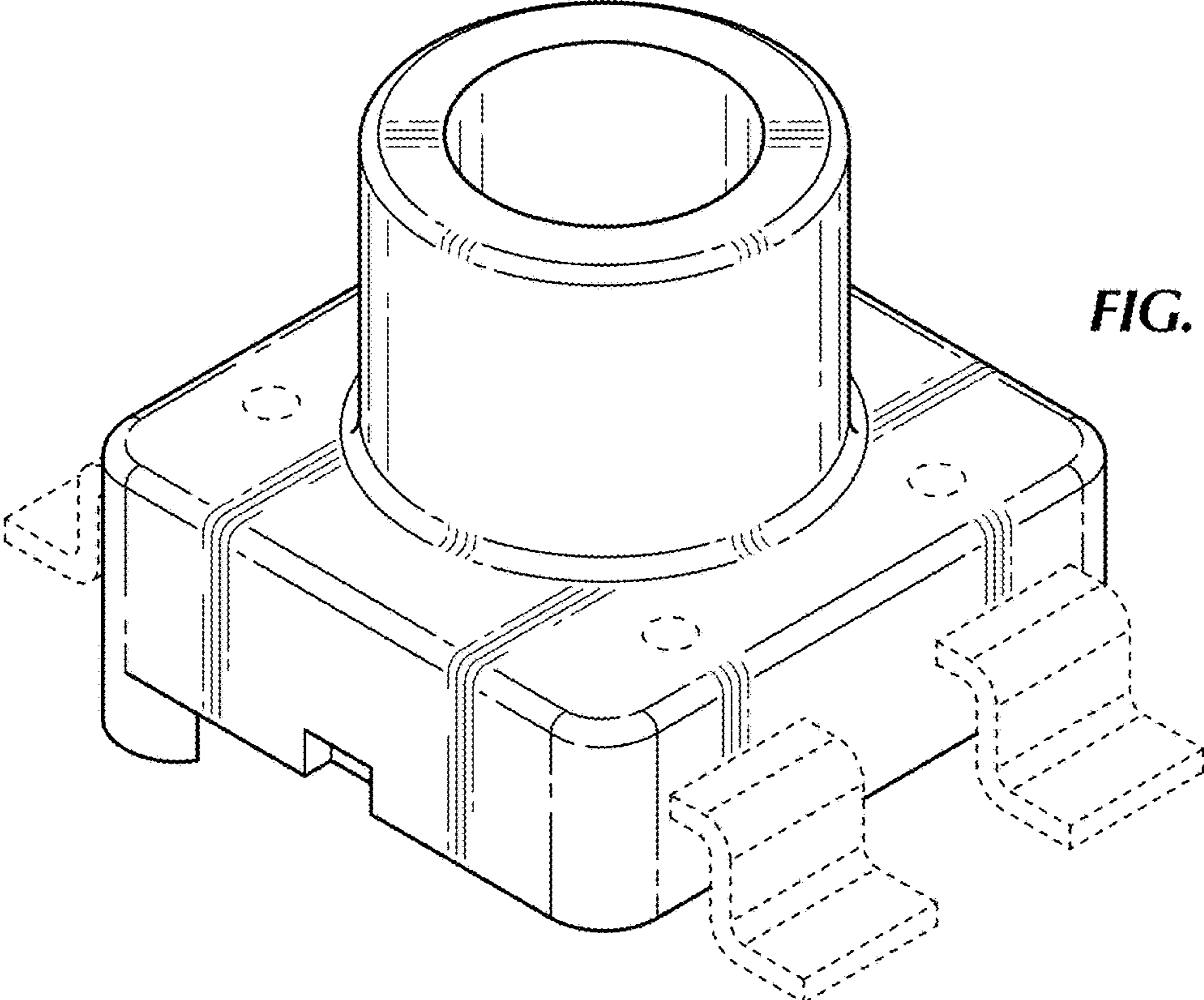


FIG. 1

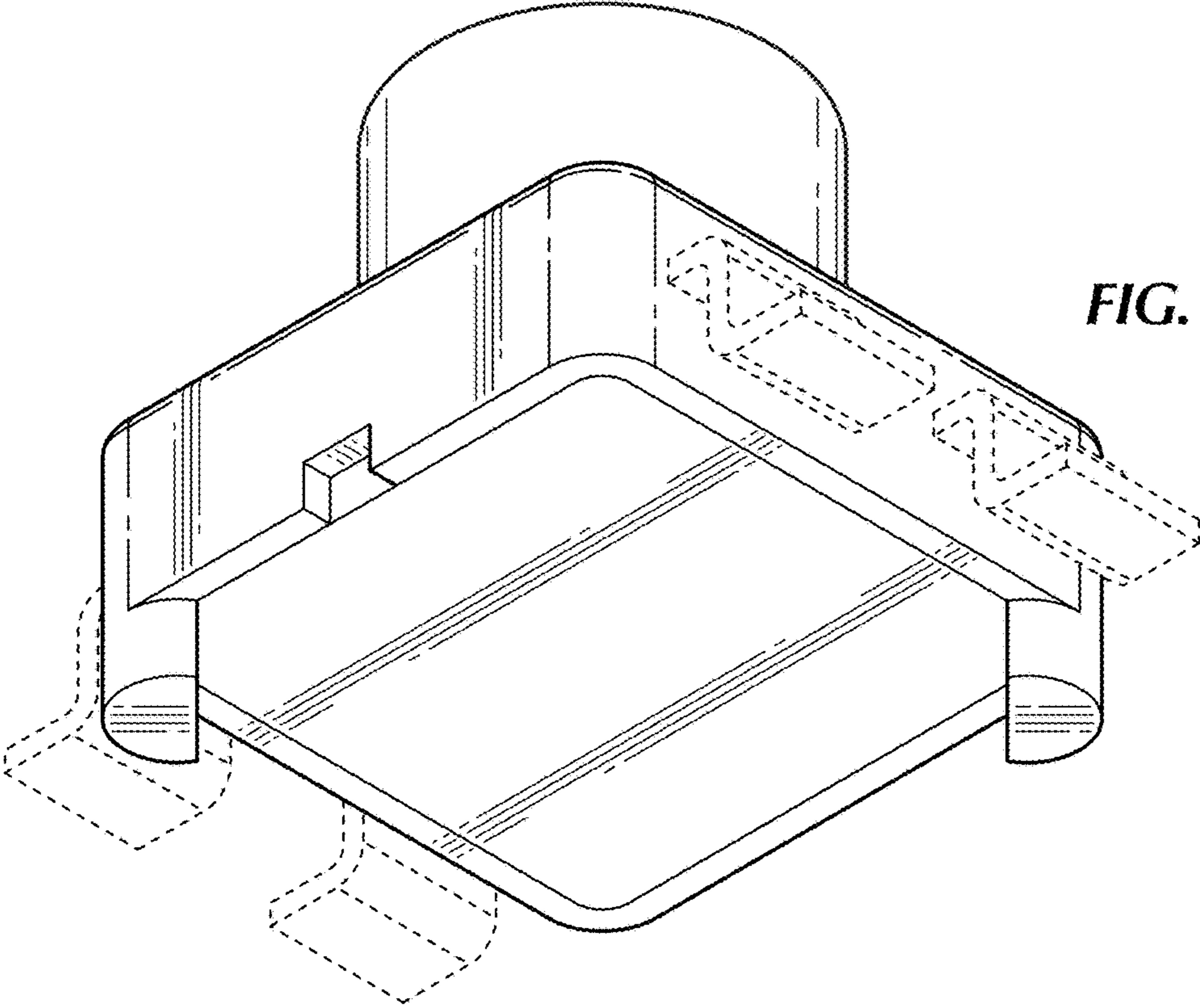


FIG. 2

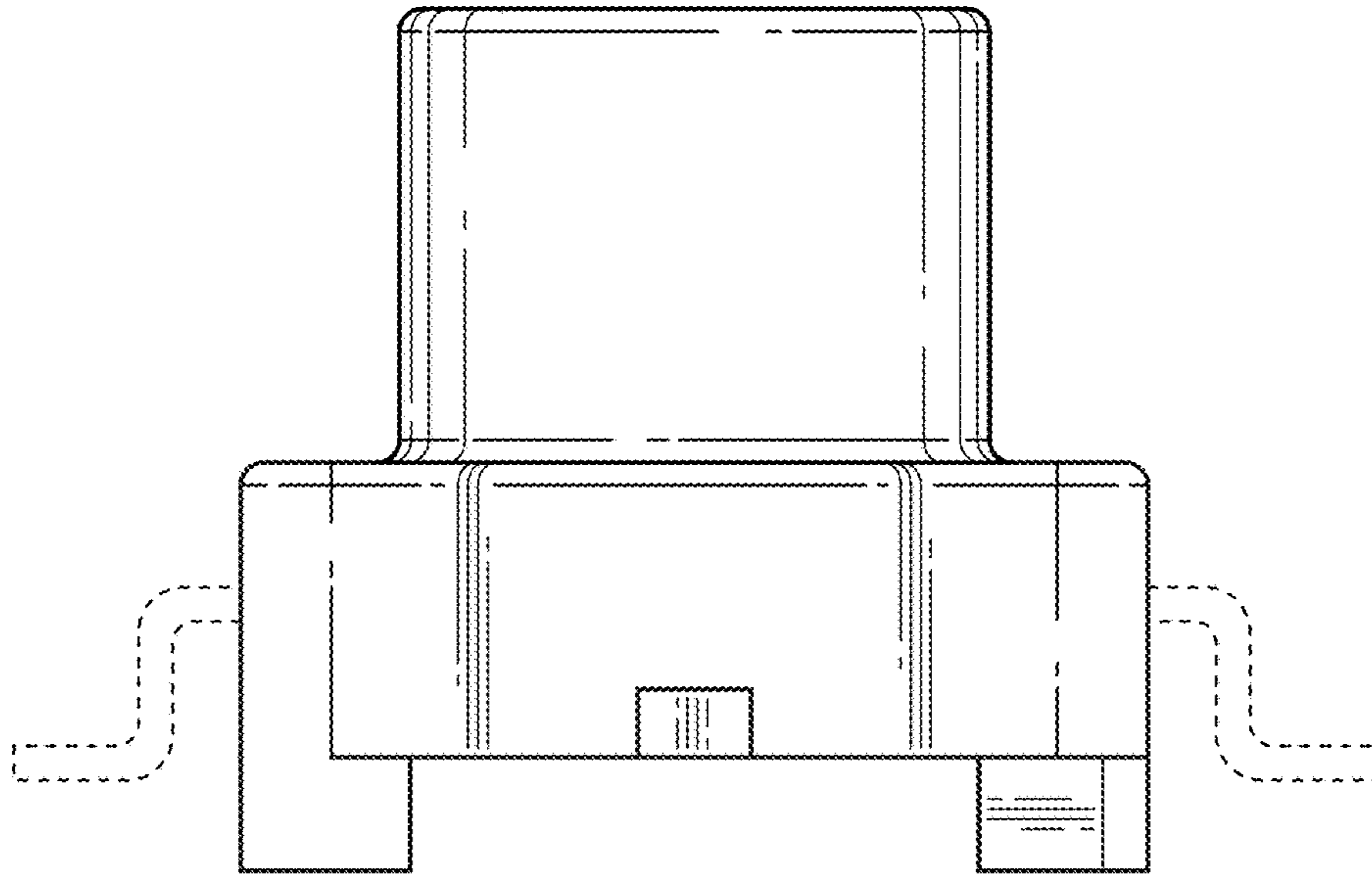


FIG. 3

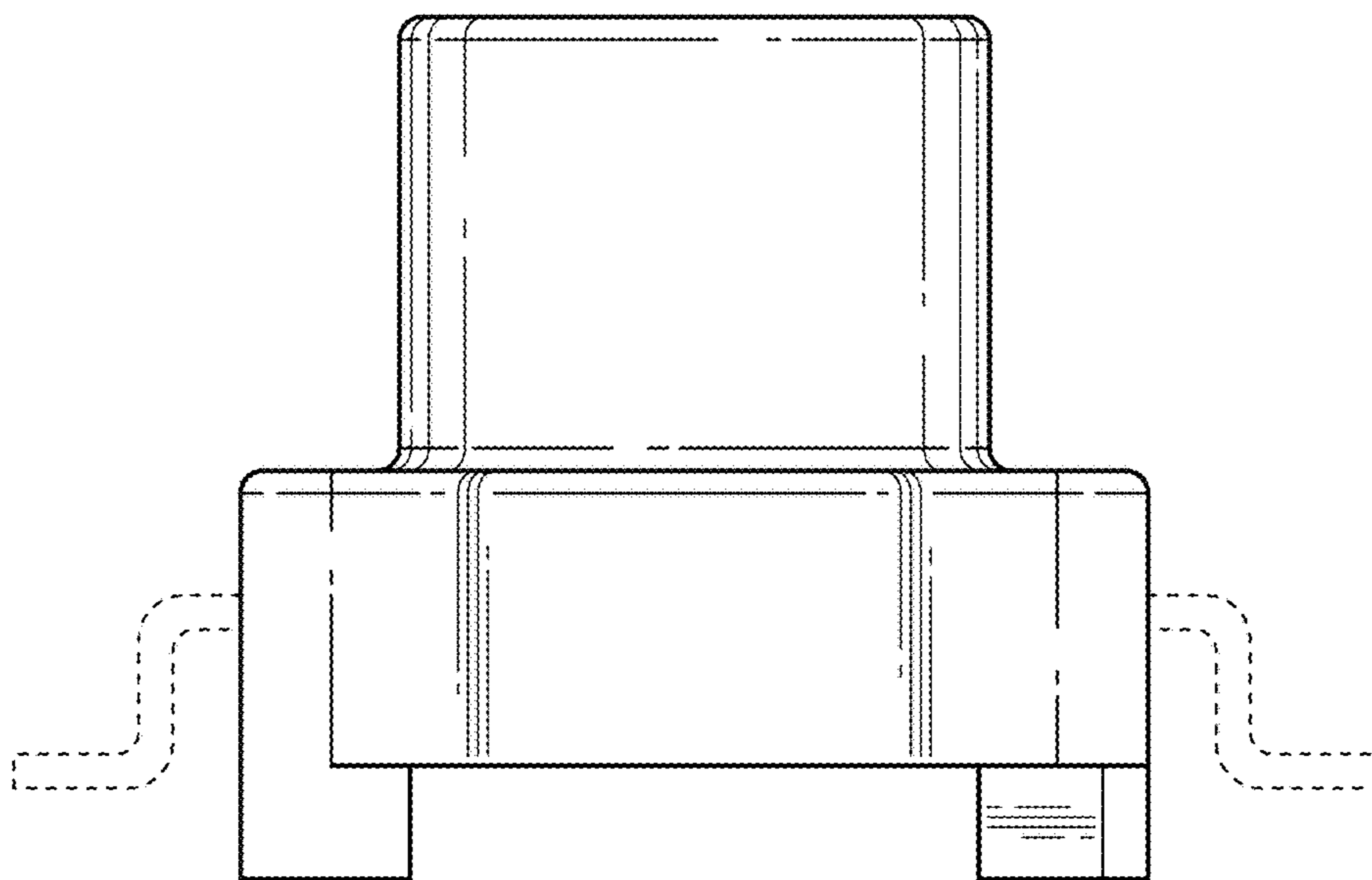


FIG. 4

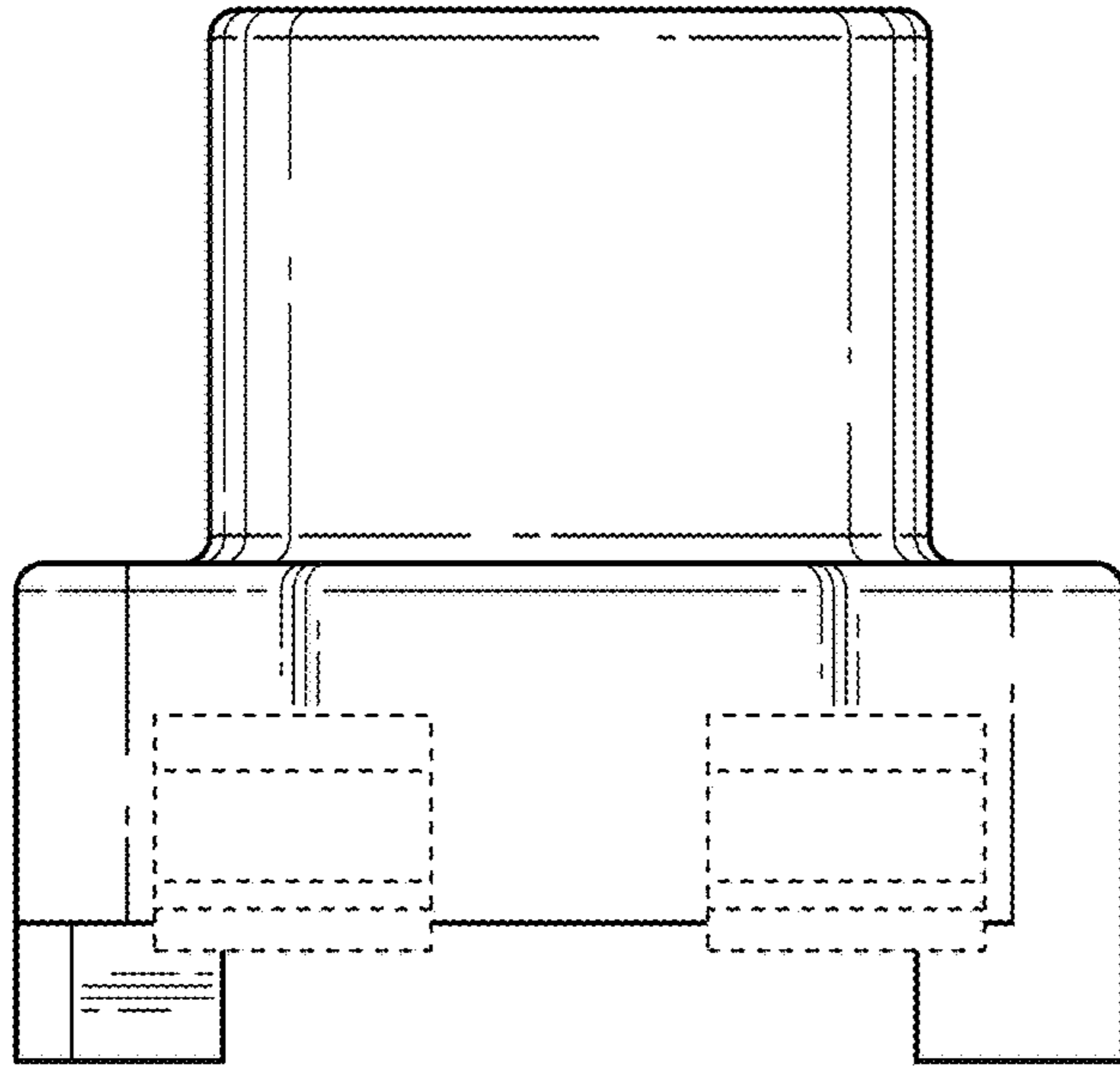


FIG. 5

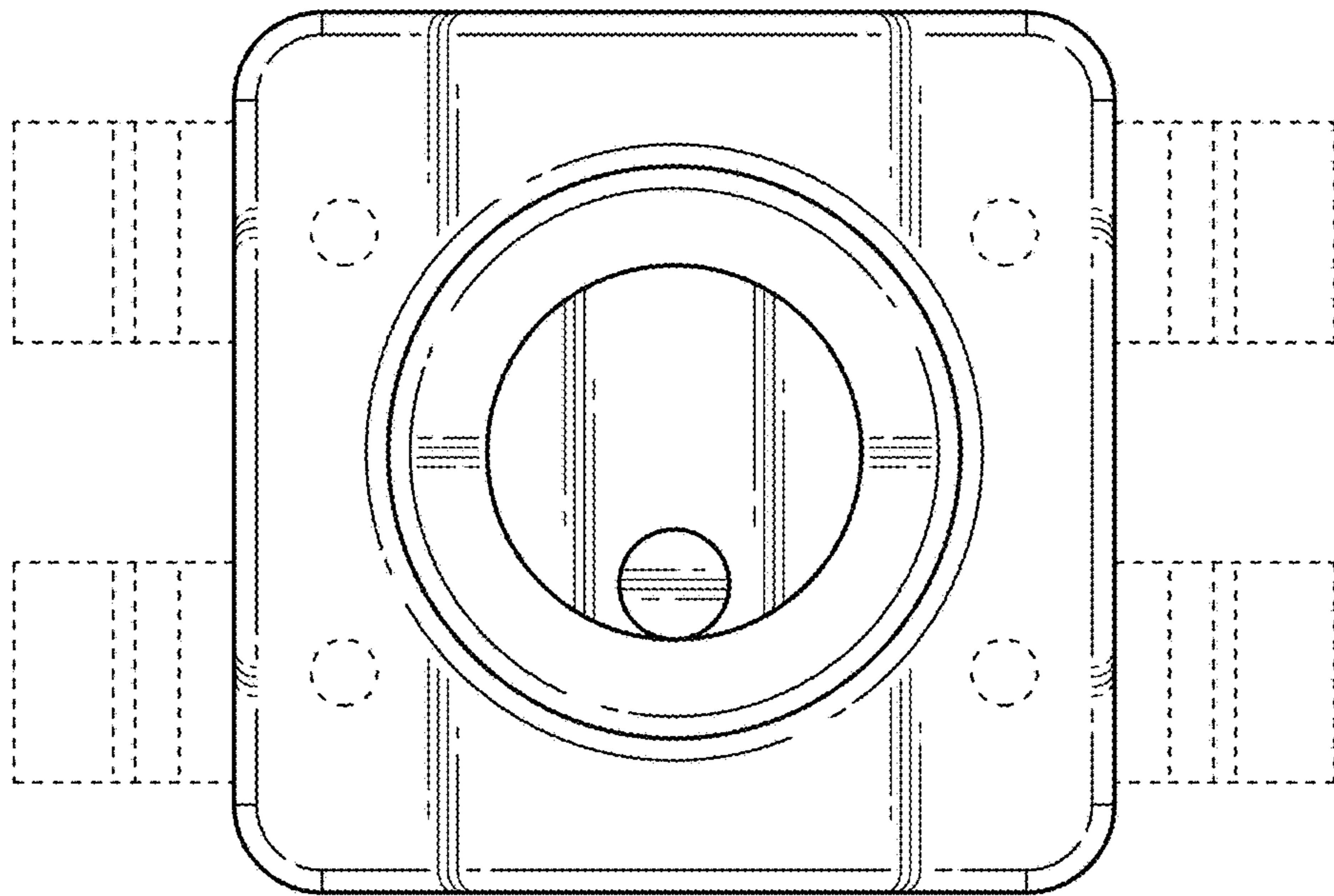


FIG. 6

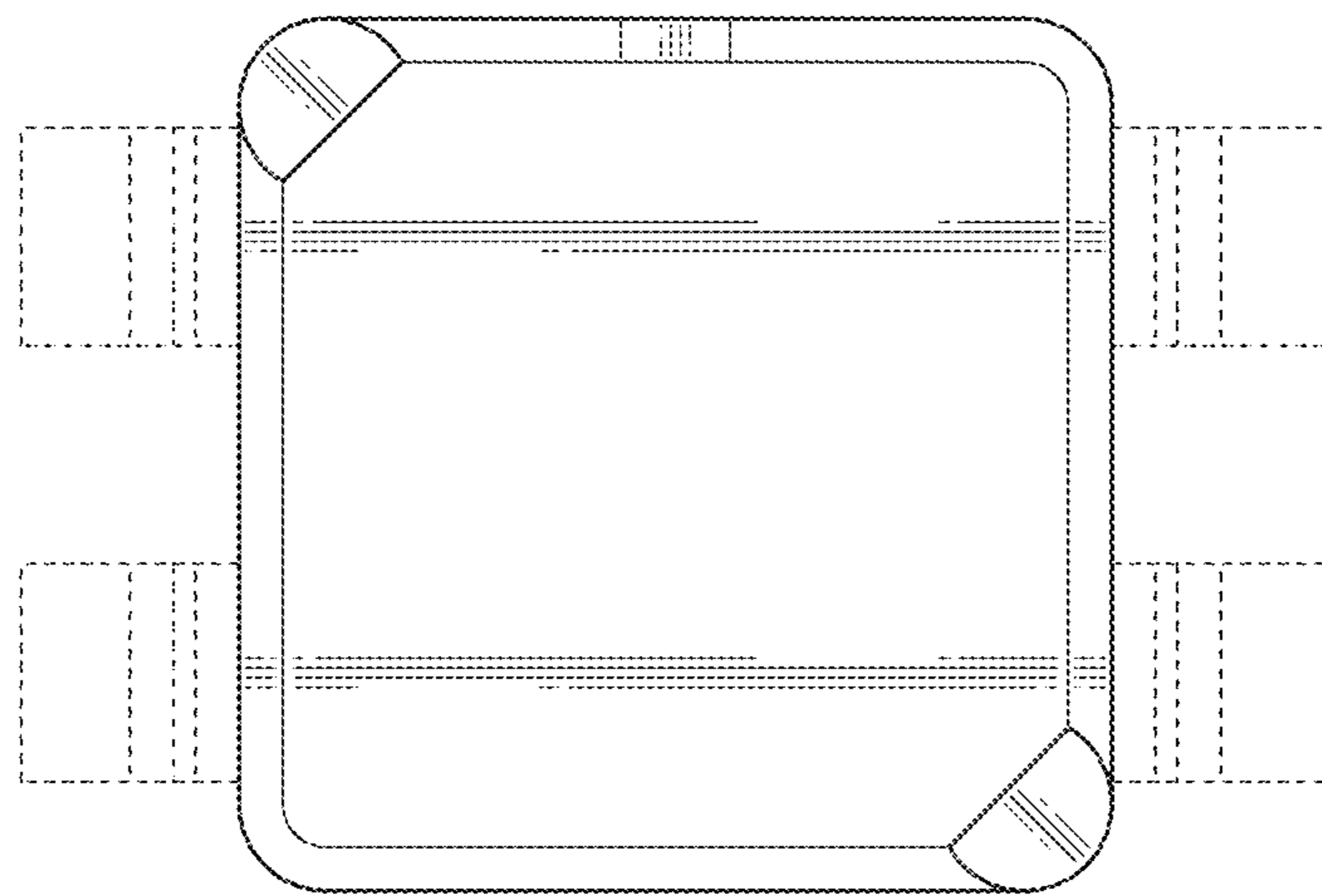


FIG. 7