

US00D867185S

(12) **United States Design Patent**
Rahav

(10) **Patent No.:** **US D867,185 S**

(45) **Date of Patent:** **** Nov. 19, 2019**

(54) **FORCE PAD SENSOR**

(71) Applicant: **VISHAY ADVANCED TECHNOLOGIES, LTD.**, Holon (IL)

(72) Inventor: **Tal Rahav**, Kiryat Ono (IL)

(73) Assignee: **VISHAY ADVANCED TECHNOLOGIES LTD.**, Holon (IL)

(**) Term: **15 Years**

(21) Appl. No.: **29/656,182**

(22) Filed: **Jul. 11, 2018**

(51) **LOC (12) Cl.** **10-04**

(52) **U.S. Cl.**
USPC **D10/83**

(58) **Field of Classification Search**
USPC D10/83, 84, 85
CPC G01B 7/16; G01L 1/22; G01L 1/00; G01L 1/005; G01L 1/02; G01L 1/04; G01L 1/06; G01L 1/08; G01L 1/10; G01L 1/12; G01L 1/14; G01L 1/16; G01L 1/20; G01L 1/2287; G01L 1/2297; G01L 1/24; G01L 1/25; G01L 1/26; A61B 5/00; B25J 19/02; G06F 3/03
See application file for complete search history.

(56) **References Cited**

U.S. PATENT DOCUMENTS

4,157,032 A * 6/1979 Schaberg G01L 9/006
338/4
D588,483 S * 3/2009 Chu D10/85

D817,794 S * 5/2018 Manning D10/85
2014/0191627 A1 * 7/2014 Takahashi G01L 1/122
310/68 B
2015/0204742 A1 * 7/2015 Draisey G01L 5/16
73/862.041
2016/0109311 A1 * 4/2016 Inazumi G01L 5/167
73/862.042
2017/0268938 A1 * 9/2017 Petersen G01L 1/04
2017/0336273 A1 * 11/2017 Elangovan A43B 17/18
2018/0138390 A1 * 5/2018 Sanada H01L 41/047
2018/0328801 A1 * 11/2018 Shapiro G01L 1/2287

* cited by examiner

Primary Examiner — Antoine Duval Davis

(74) *Attorney, Agent, or Firm* — Volpe and Koenig, P.C.

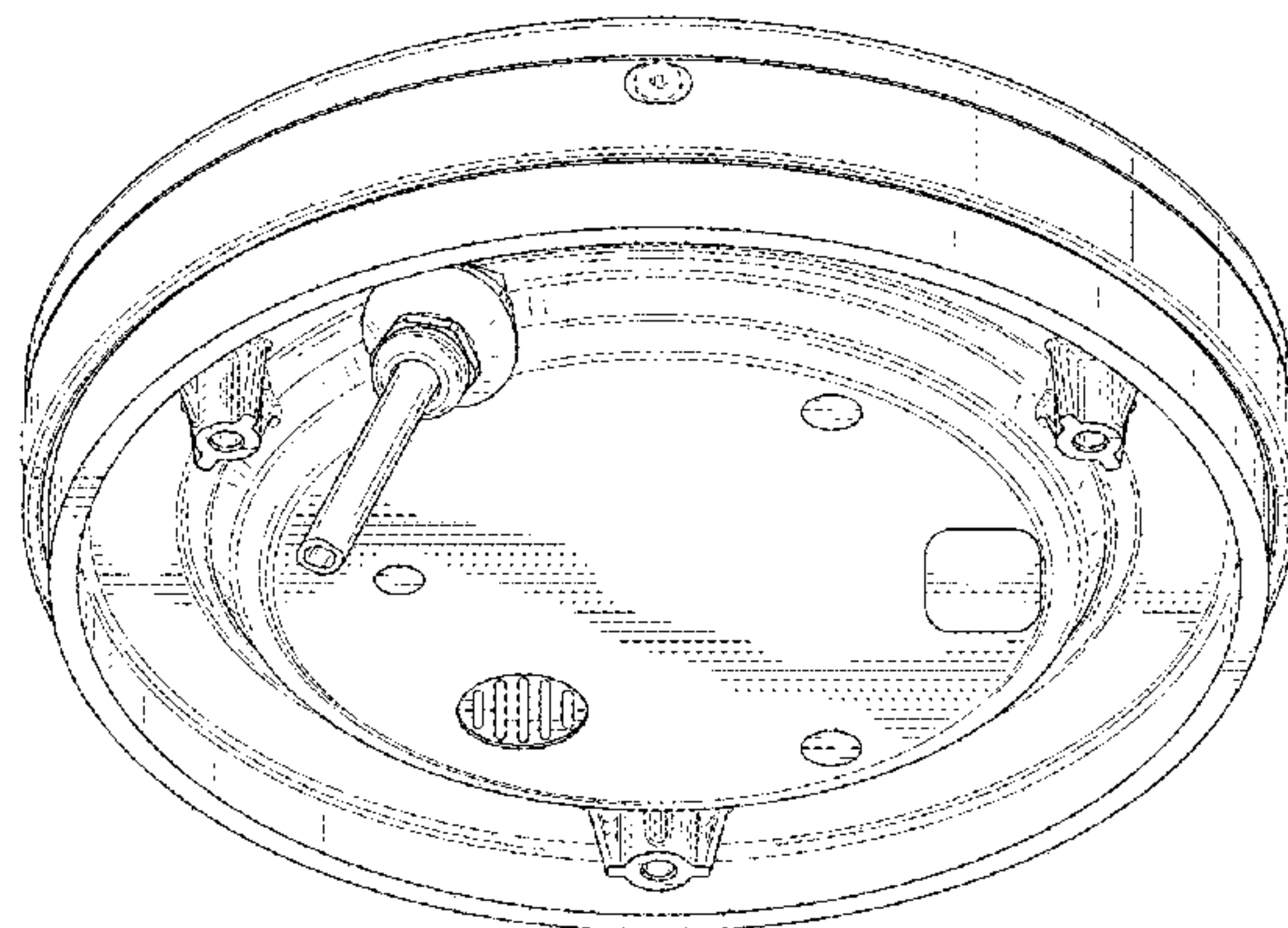
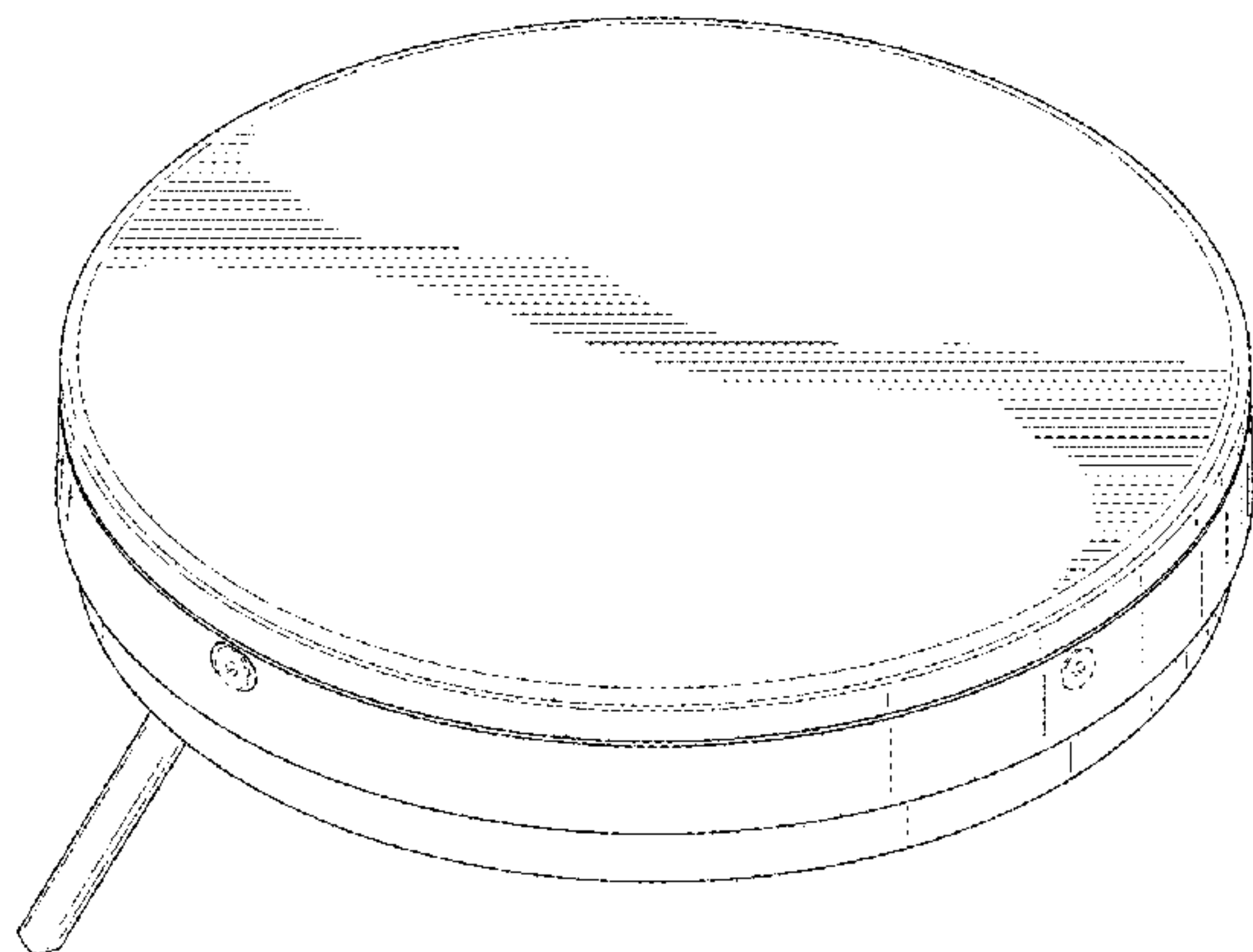
(57) **CLAIM**

I claim the ornamental design for a force pad sensor, as shown and described.

DESCRIPTION

FIG. 1 is a top perspective view of the force pad sensor in accordance with the design;
FIG. 2 is a bottom perspective view of the force pad sensor;
FIG. 3 is a front side view of the force pad sensor;
FIG. 4 is a back side view of the force pad sensor;
FIG. 5 is a left side view of the force pad sensor;
FIG. 6 is a right side view of the force pad sensor;
FIG. 7 is a top view of the force pad sensor; and,
FIG. 8 is a bottom view of the force pad sensor.
The broken lines represent portions of the force pad sensor that form no part of the claimed design.

1 Claim, 6 Drawing Sheets



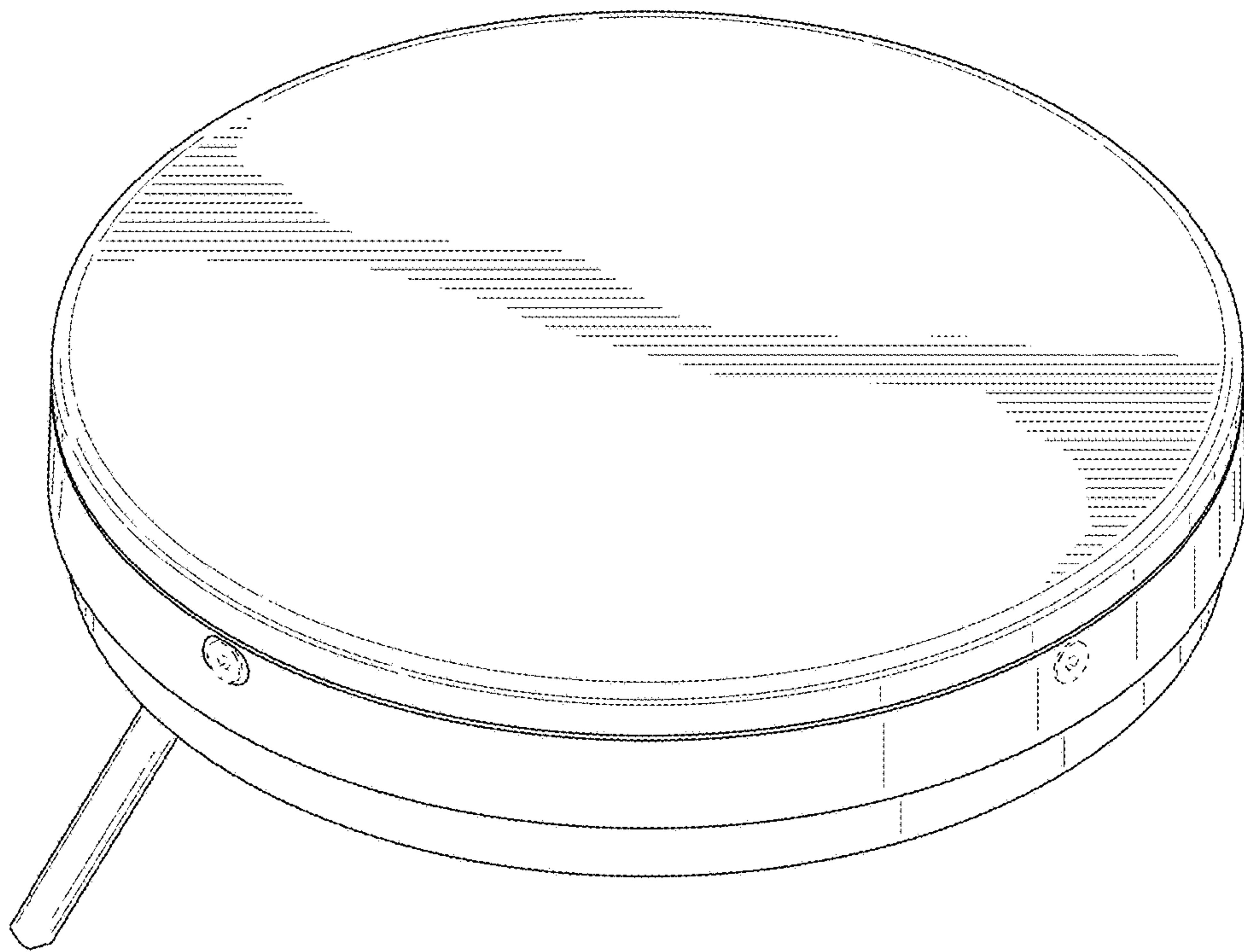


FIG. 1

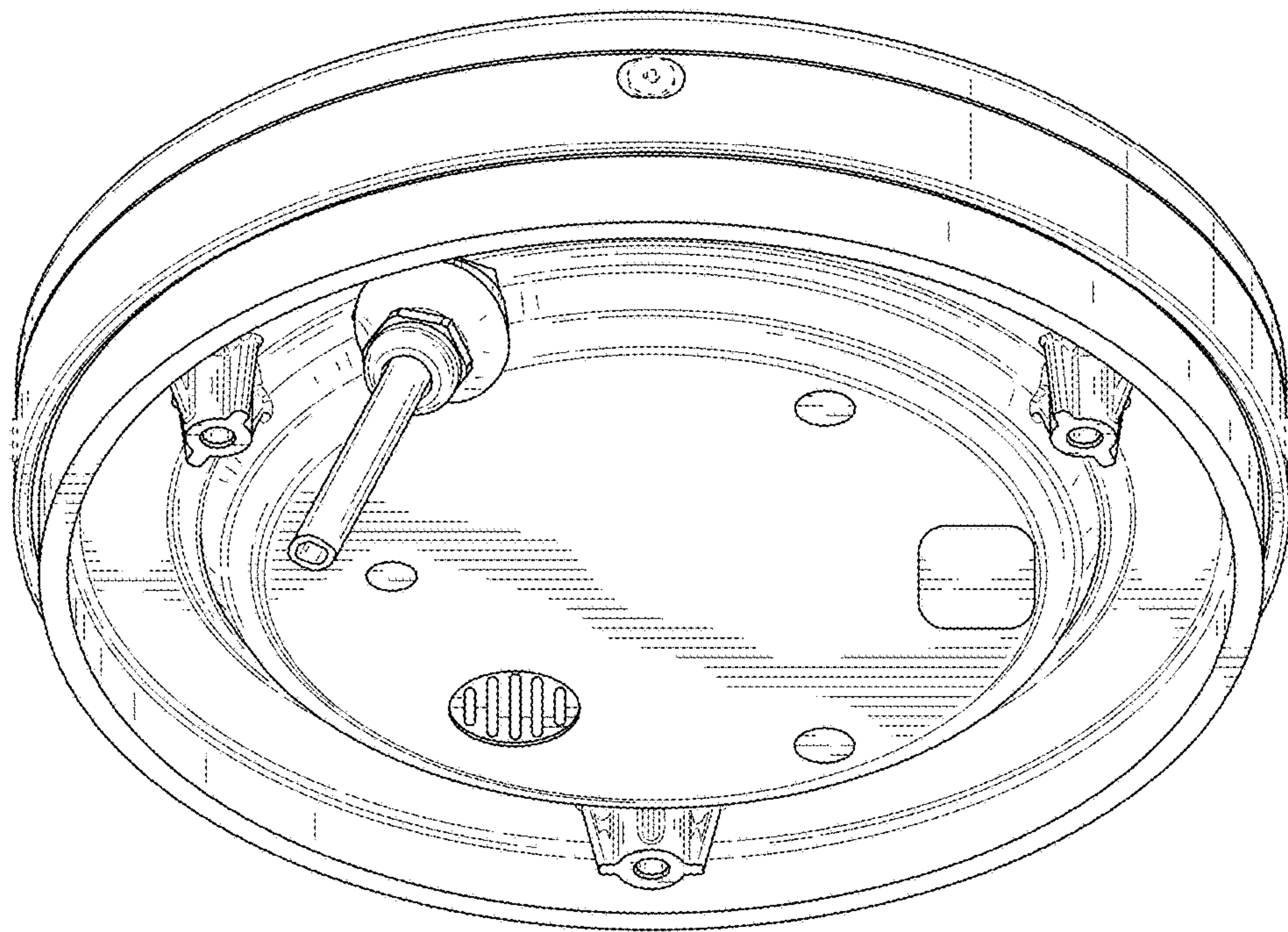


FIG. 2

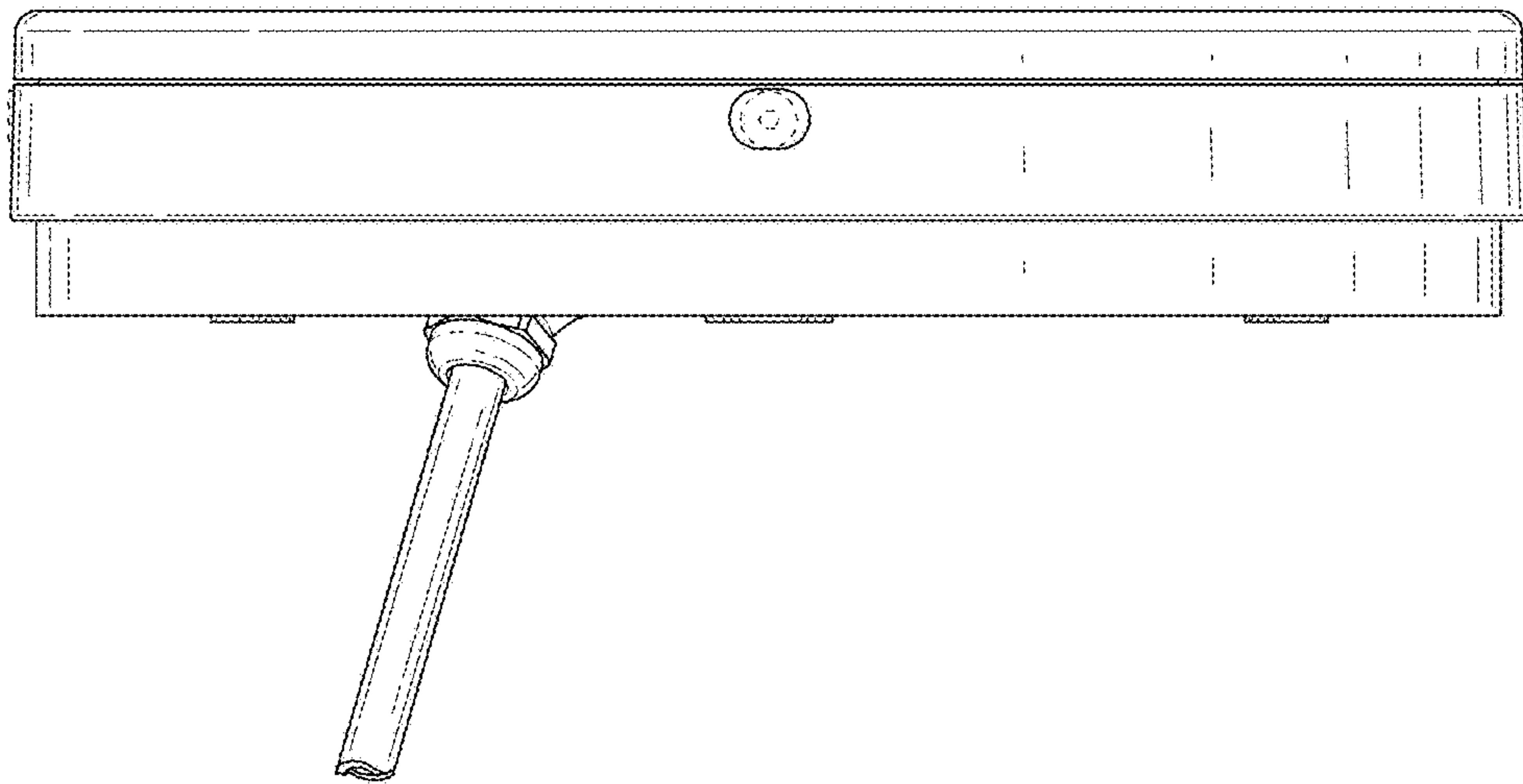


FIG. 3

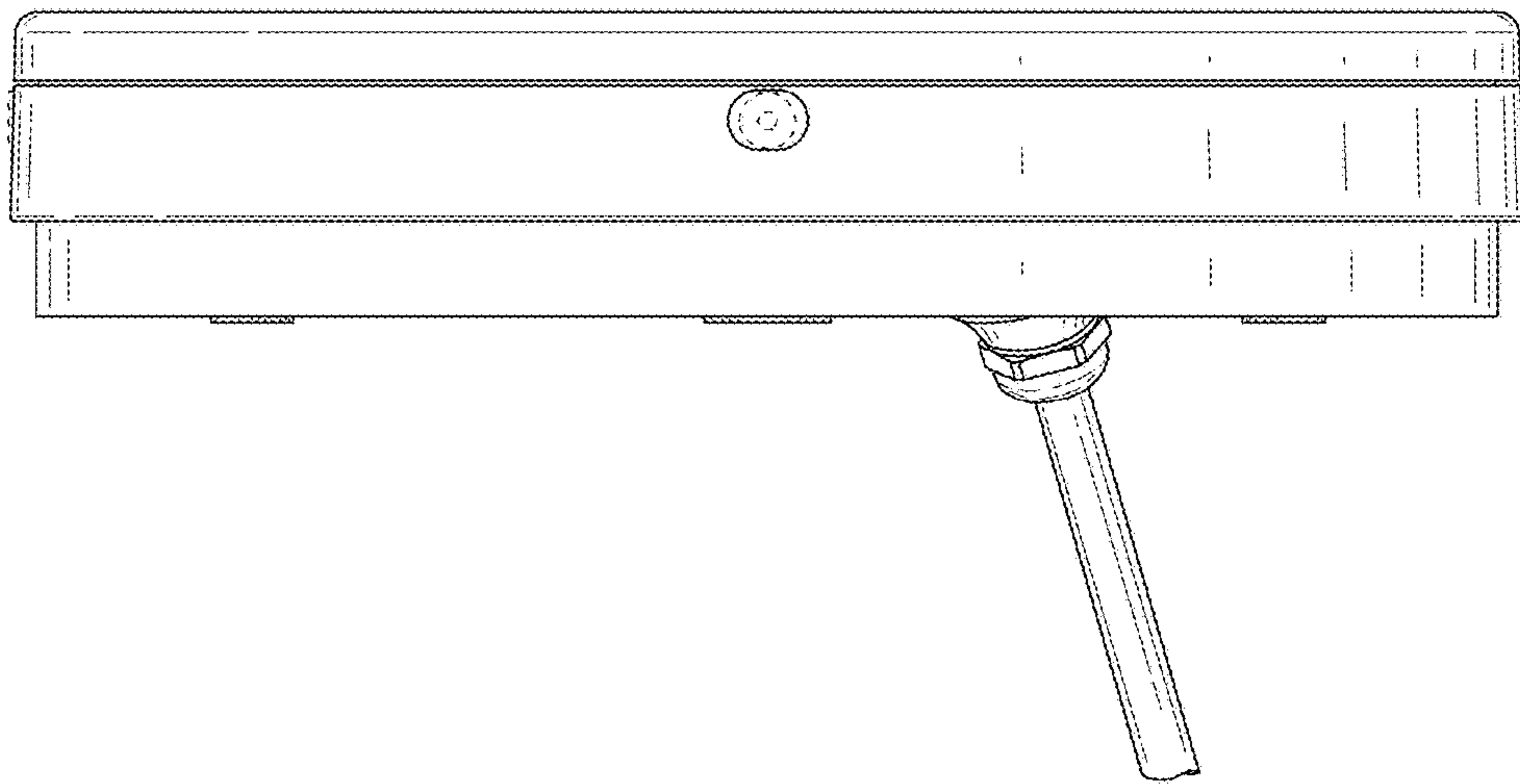


FIG. 4

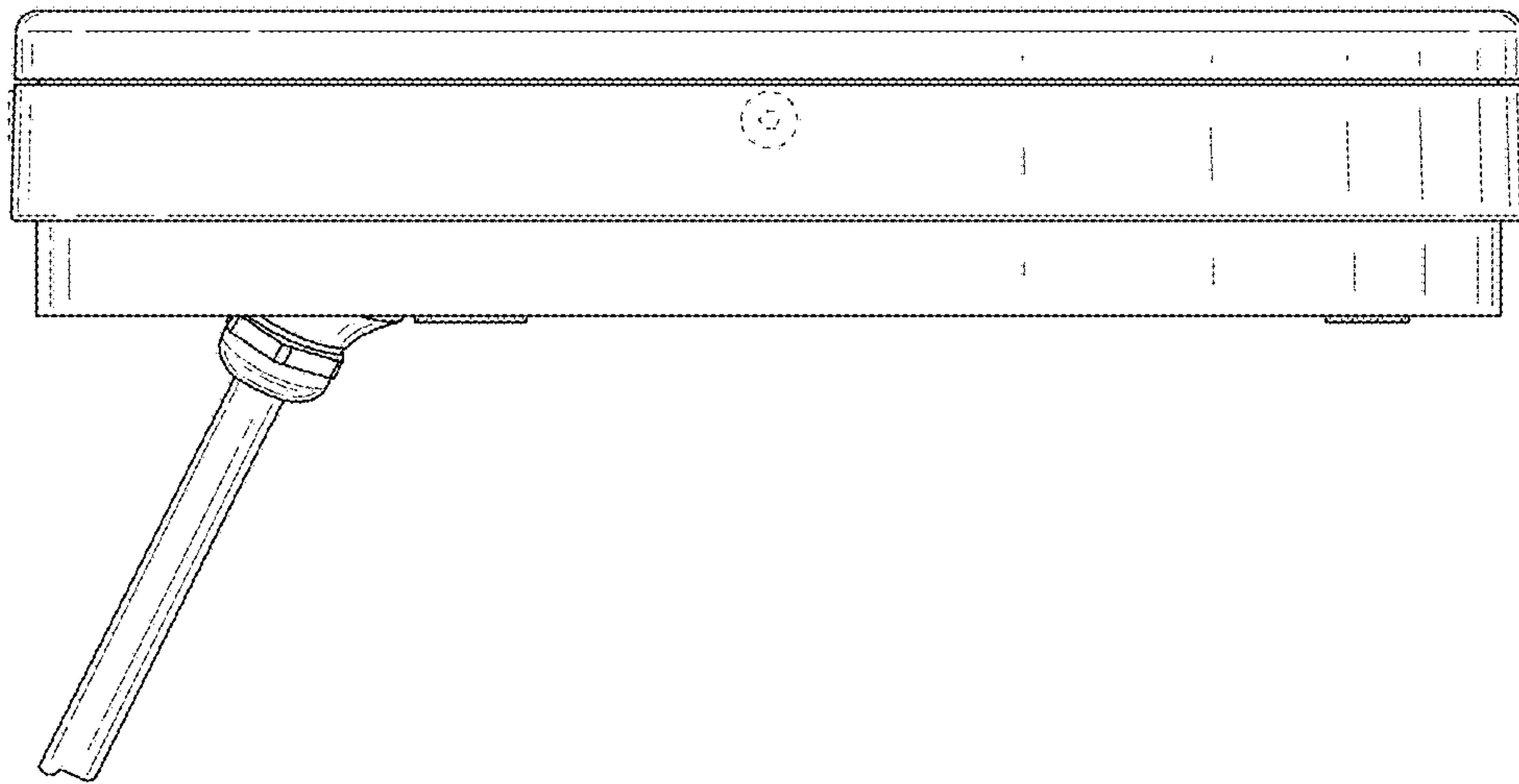


FIG. 5

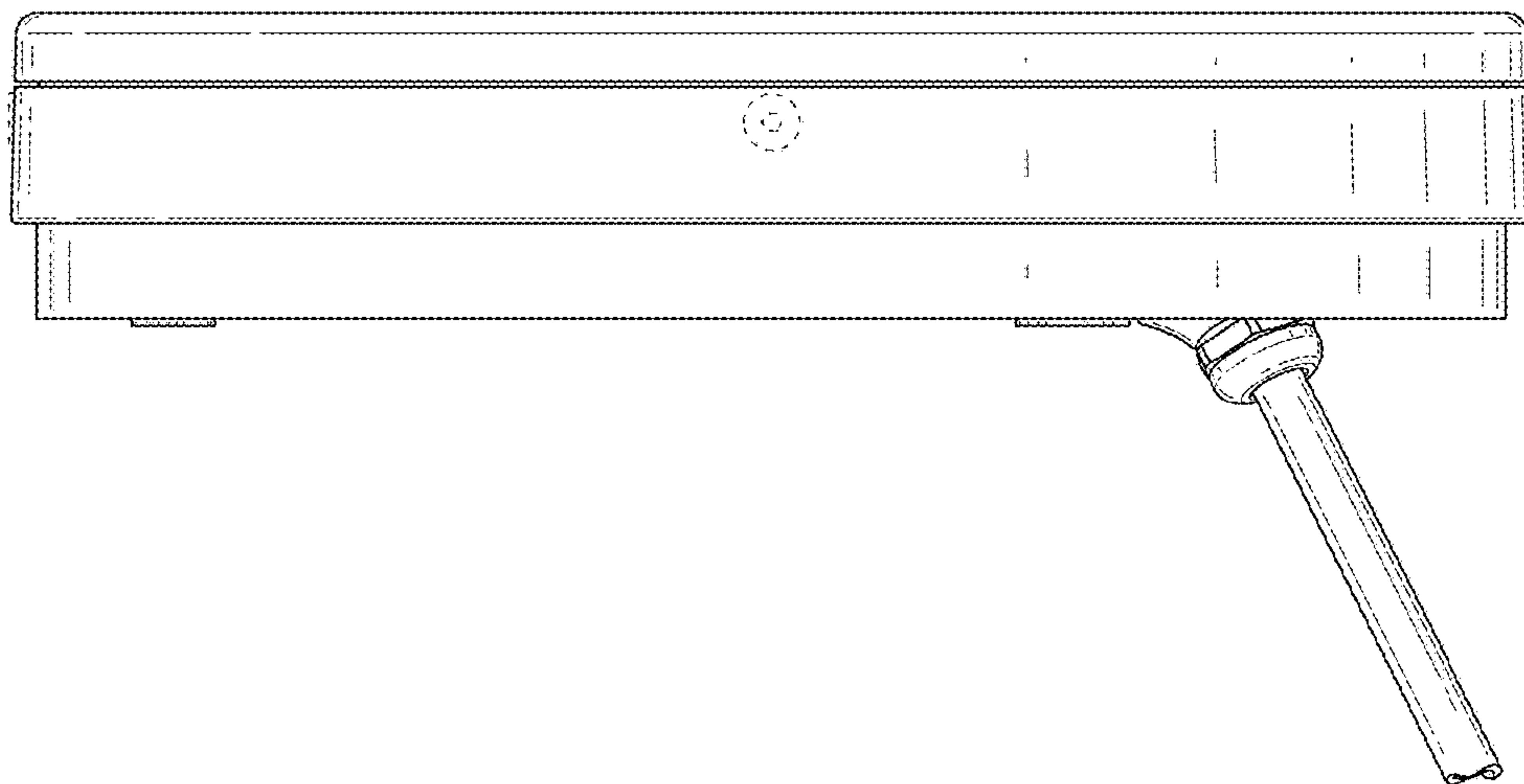


FIG. 6

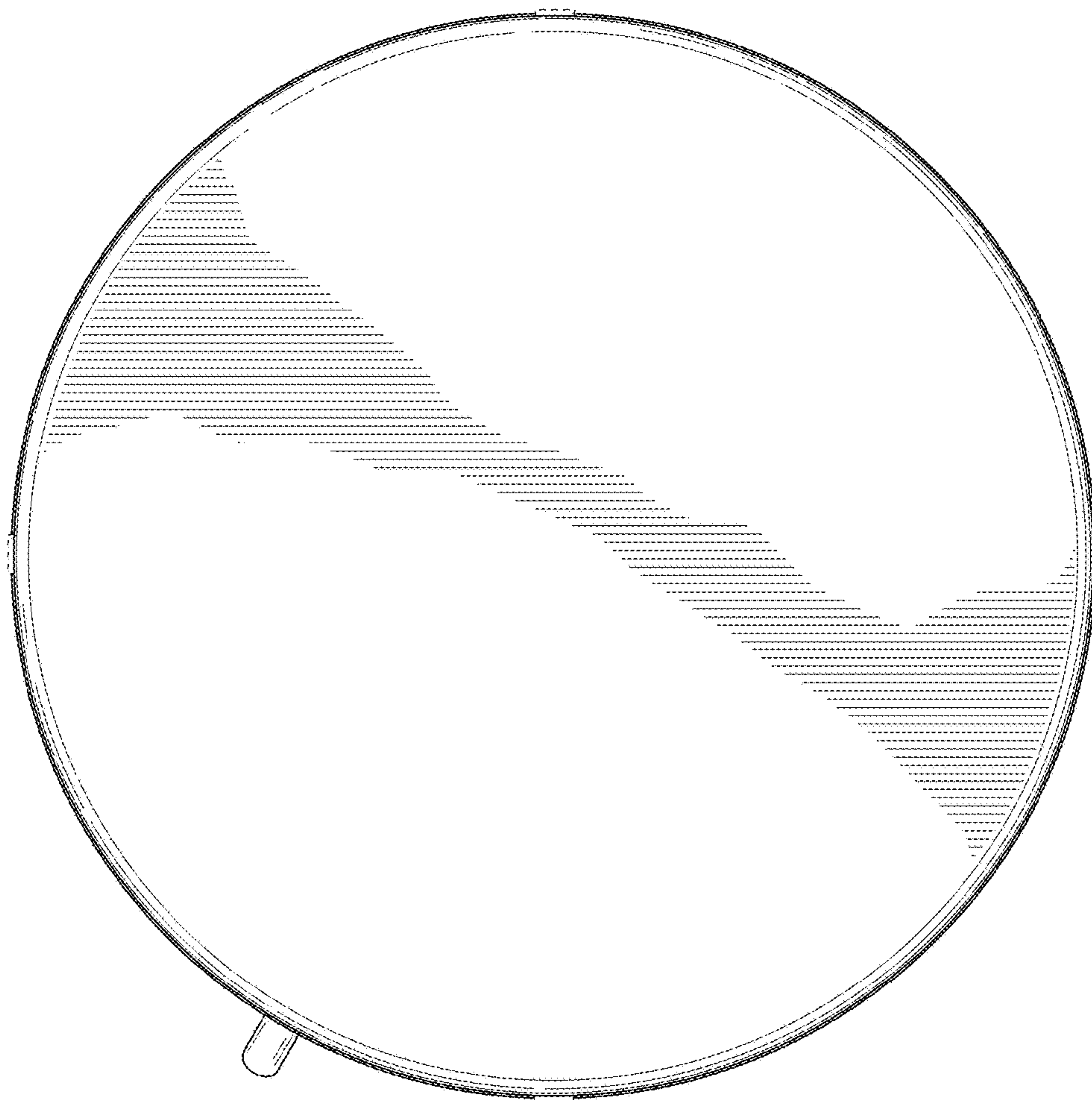


FIG. 7

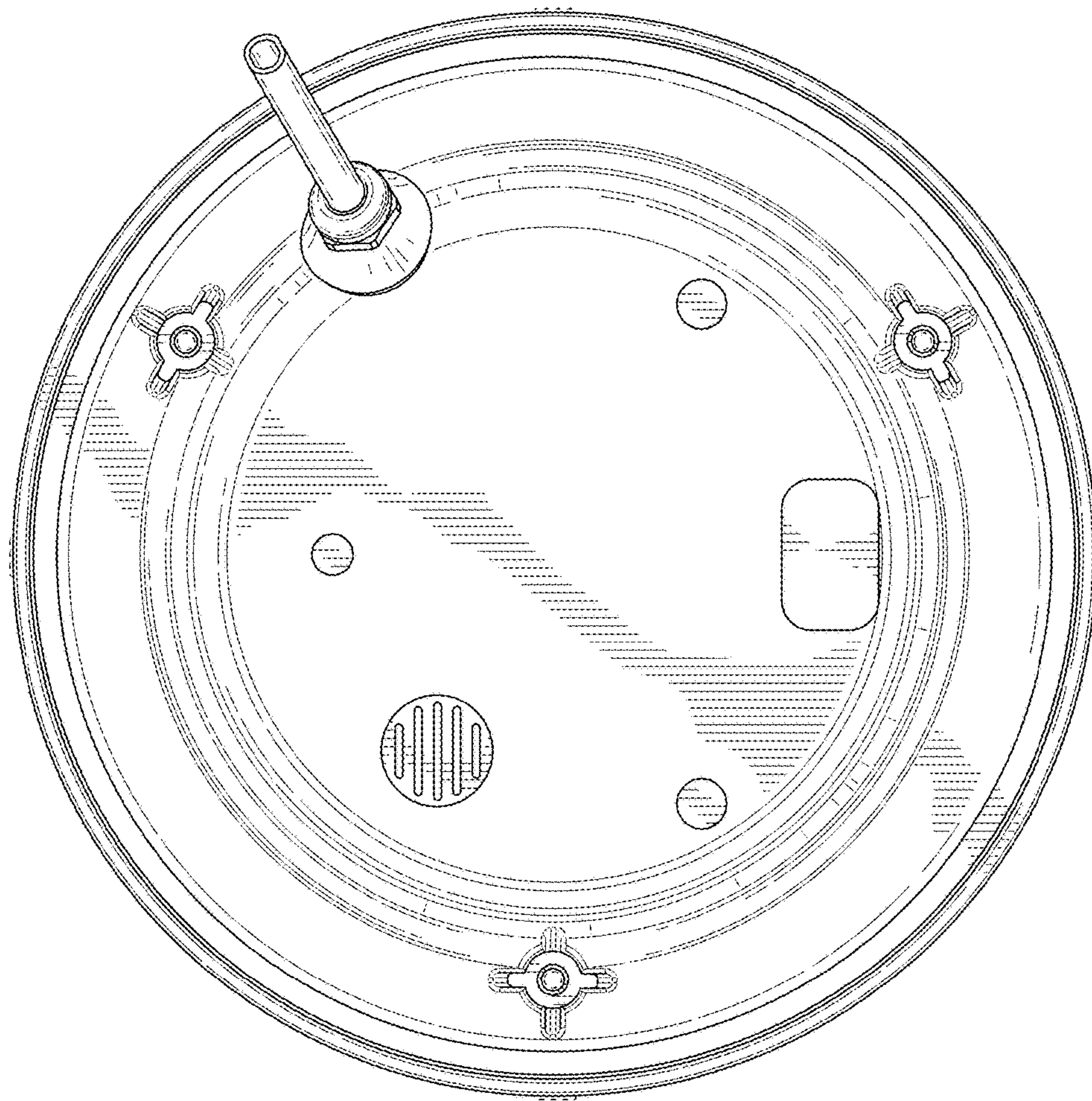


FIG. 8